



US00D393580S

United States Patent [19]

[11] Patent Number: Des. 393,580

Bantly et al.

[45] Date of Patent: ***Apr. 21, 1998

[54] **IMPACT WRENCH**

[75] Inventors: **Matthew D. Bantly**, Granby, Conn.;
George W. Opdyke, Troy, Pa.; **Keith A. Saylor**, Clinton Township, N.J.; **Earl A. Guinter**, Sayre, Pa.

D. 377,894	2/1997	Sung	D8/68
D. 378,891	4/1997	Sung	D8/68
3,584,695	6/1971	Turnbull	81/54 X
4,920,831	5/1990	Huang	81/54
5,035,161	7/1991	Huang	81/54
5,050,467	9/1991	Brown et al.	81/54 X
5,412,546	5/1995	Huang	81/54 X

[73] Assignee: **Ingersoll-Rand Company**, Woodcliff Lake, N.J.

Primary Examiner—Antoine Duval Davis
Attorney, Agent, or Firm—Walter C. Vliet; Leon Nigohosian, Jr.

[*] Notice: The portion of the term of this patent subsequent to Jan. 6, 2012, has been disclaimed.

[**] Term: **14 Years**

[57] **CLAIM**

The ornamental design for an impact wrench, as shown and described.

[21] Appl. No.: **63,904**

DESCRIPTION

[22] Filed: **Dec. 18, 1996**

FIG. 1 is a right side view of an impact wrench showing our design;

[51] LOC (6) Cl. **08-01**

FIG. 2 is a top view of FIG. 1;

[52] U.S. Cl. **D8/68**

FIG. 3 is a left side view of FIG. 1;

[58] Field of Search D8/61, 62, 68,
D8/69; 81/54, 57.13, 57.14; 173/169, 170;
408/124, 125

FIG. 4 is a bottom view of FIG. 1;

FIG. 5 is a front view of FIG. 1; and,

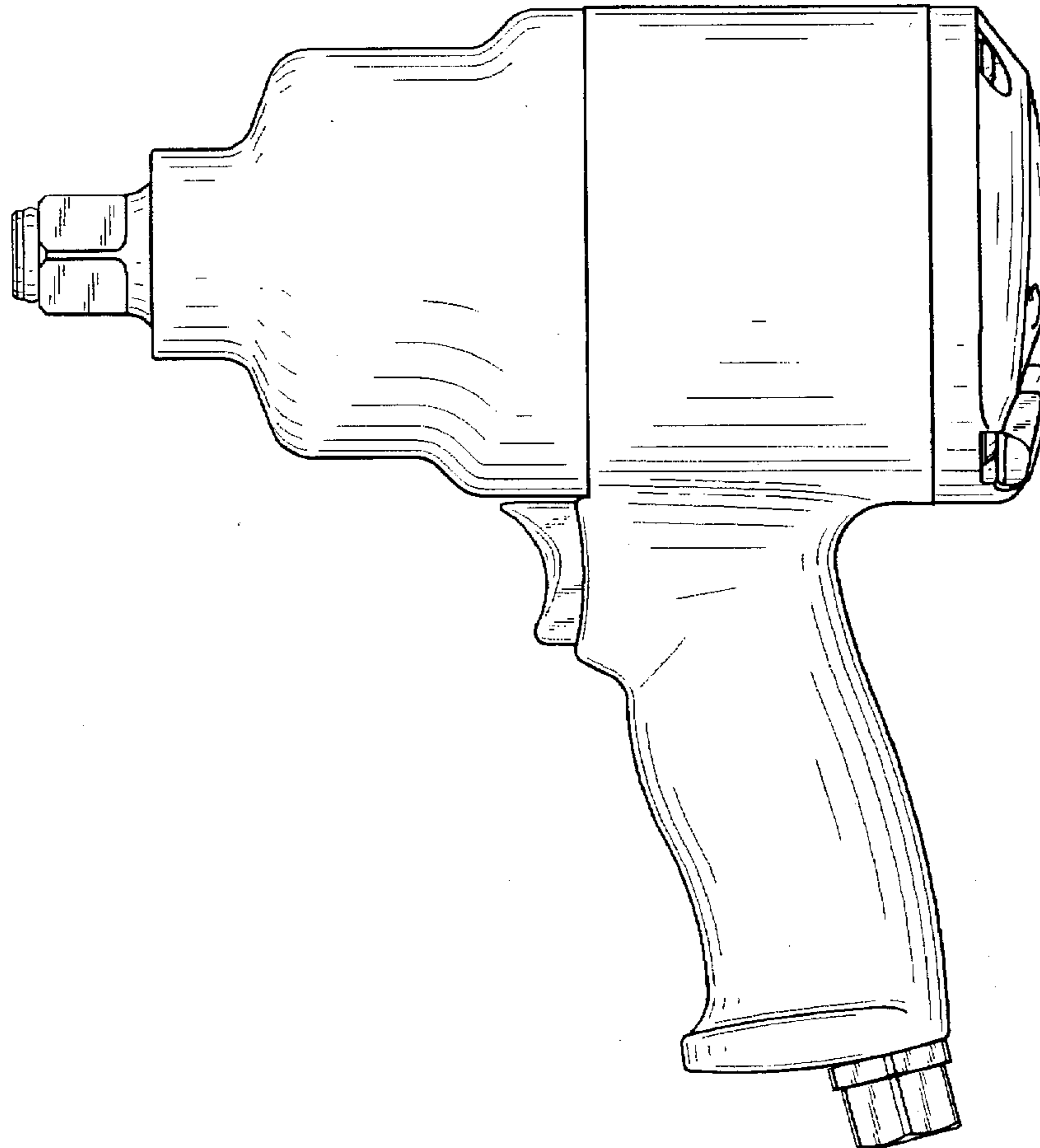
FIG. 6 is a rear view of FIG. 1.

[56] **References Cited**

U.S. PATENT DOCUMENTS

D. 370,163 5/1996 Hurd D8/68

1 Claim, 4 Drawing Sheets



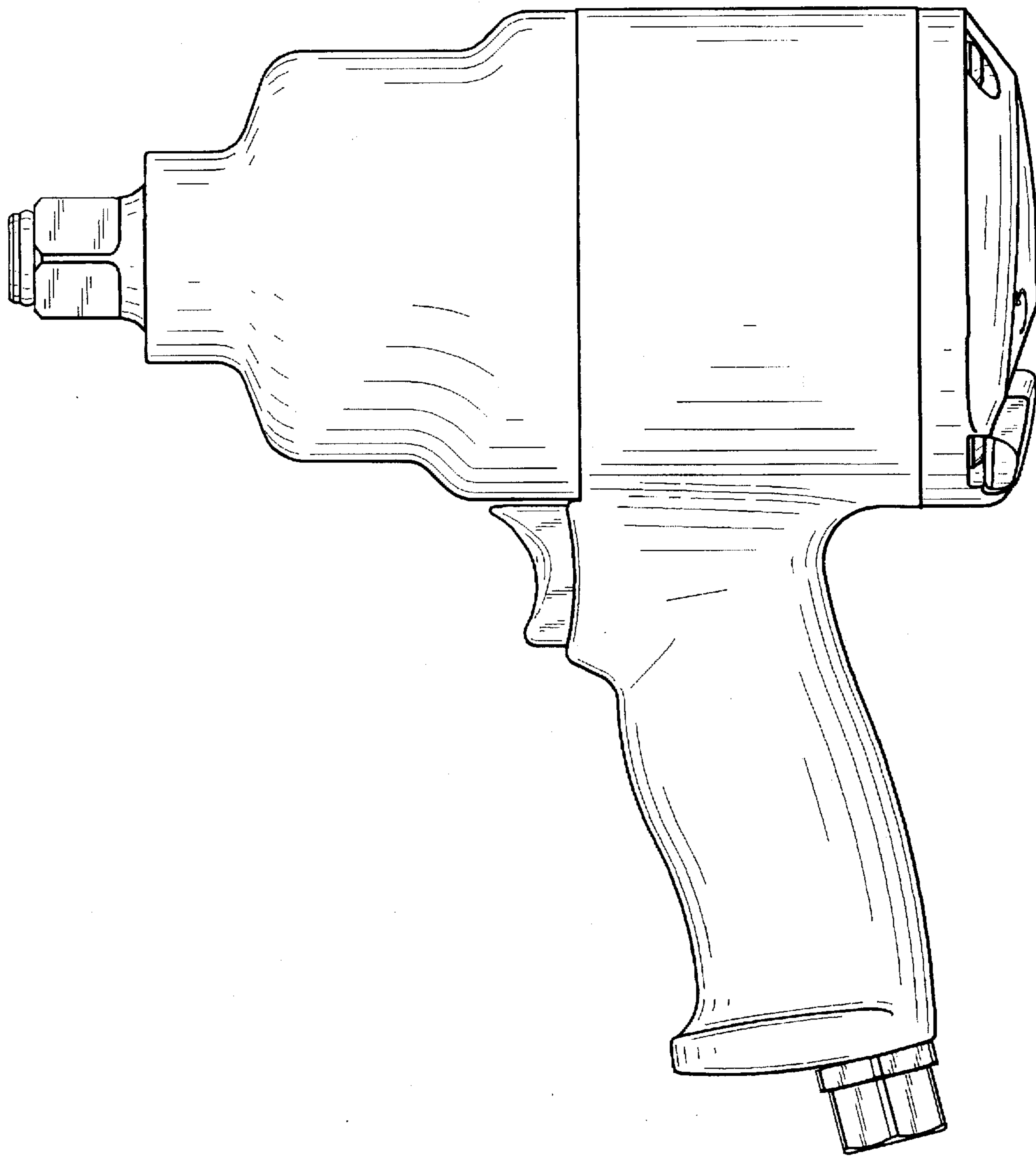


FIG. 1

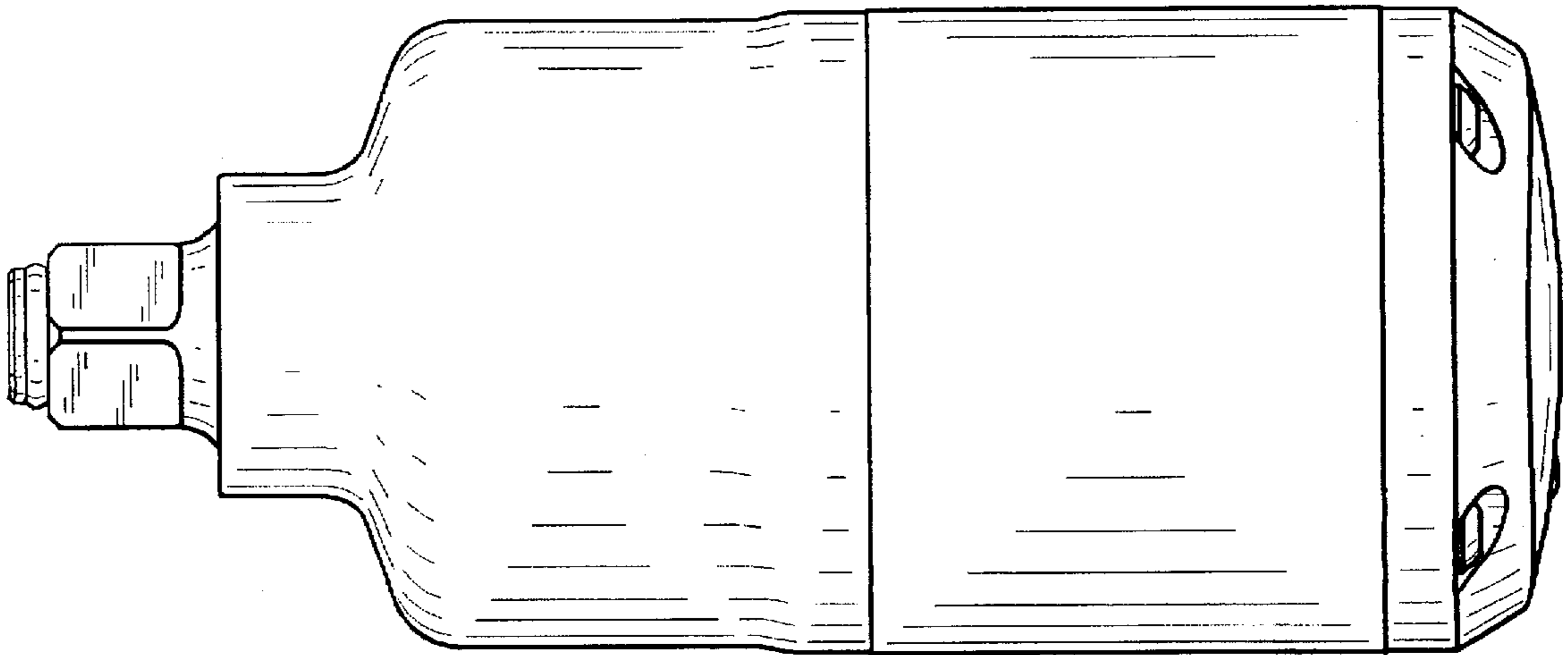


FIG. 2

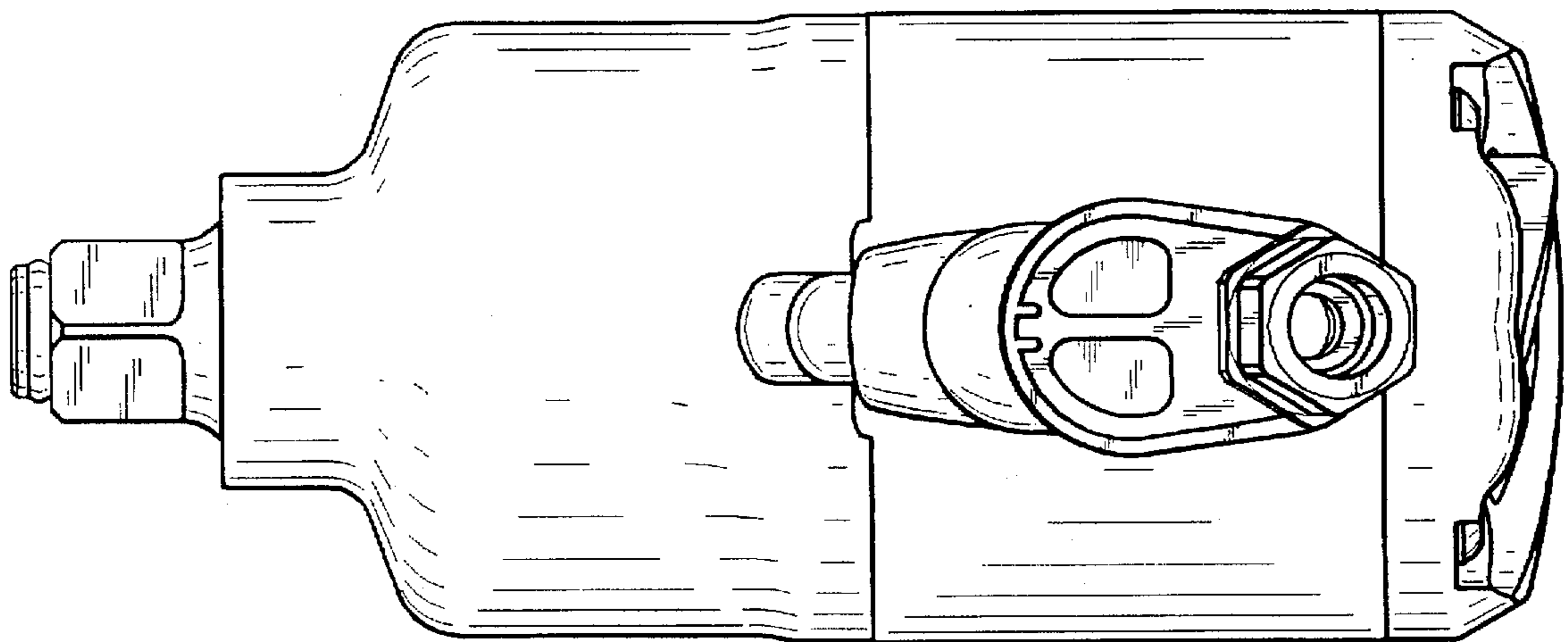


FIG. 4

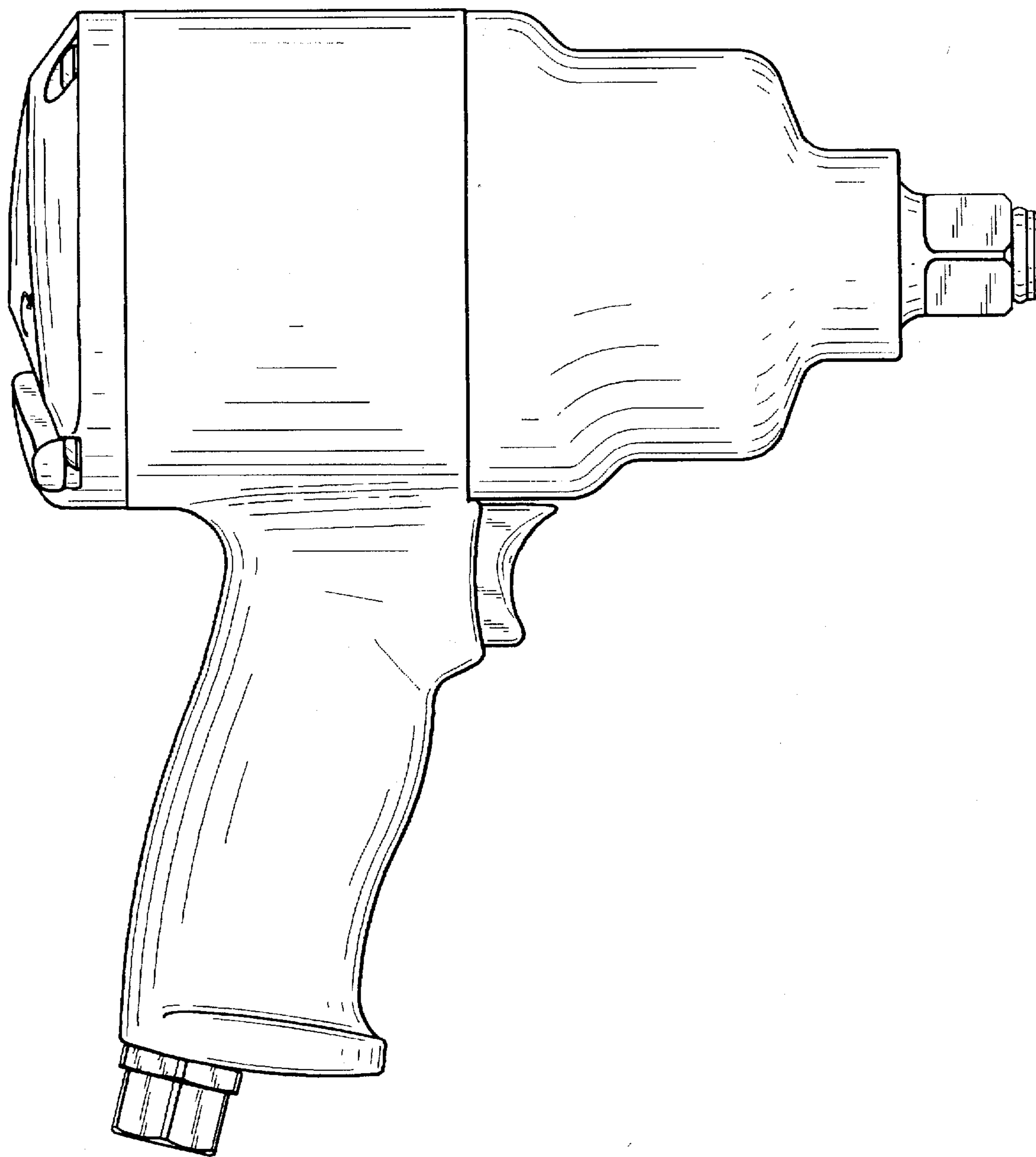


FIG. 3

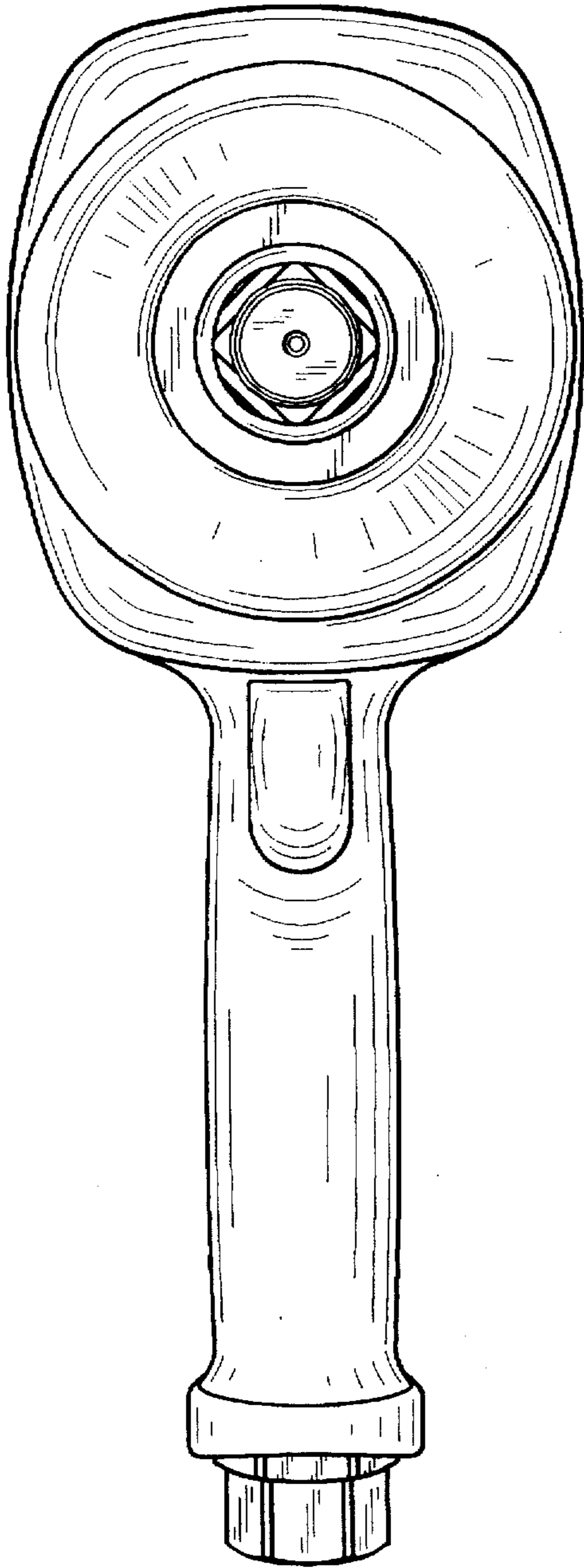


FIG. 5

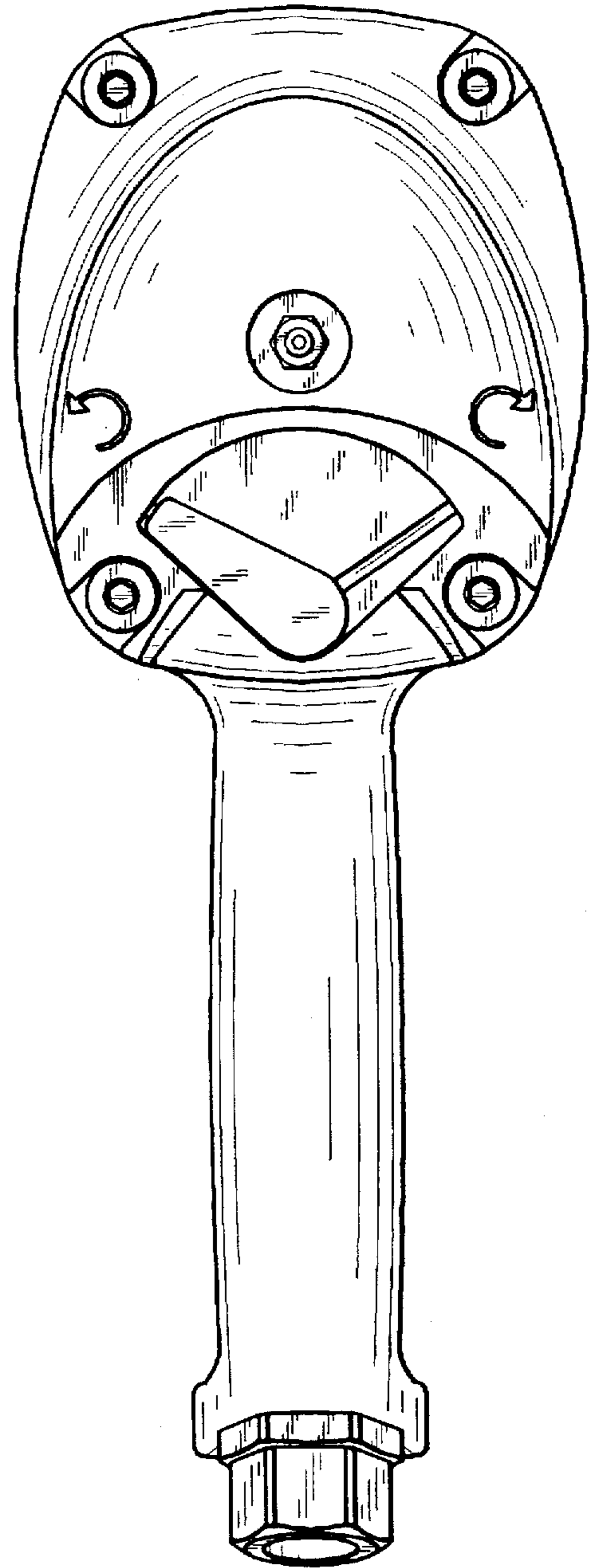


FIG. 6