



US00D393579S

United States Patent [19] Bryant

[11] Patent Number: **Des. 393,579**
[45] Date of Patent: ****Apr. 21, 1998**

[54] **PULLING ANVIL**
[75] Inventor: **Corwin J. Bryant**, P.O. Box 405,
Fairplay, Colo. 80440
[73] Assignees: **Corwin J. Bryant; James Gardner**,
both of Fairplay, Colo.
[**] Term: **14 Years**
[21] Appl. No.: **44,807**
[22] Filed: **Sep. 28, 1995**
[51] LOC (6) Cl. **08-05**
[52] U.S. Cl. **D8/46**
[58] Field of Search D8/46; 254/1;
29/254, 255, 275, 276; 173/93, 93.5, 93.6,
93.7

3,894,586 7/1975 Lyon .
3,895,778 7/1975 Ahlgren 254/1
4,187,708 2/1980 Champoux .
4,796,347 1/1989 Aguillen, Jr. et al. .
5,163,519 11/1992 Mead et al. .
5,210,918 5/1993 Wozniak et al. .

Primary Examiner—Prabhakar G. Deshmukh
Assistant Examiner—Richelle Shelton
Attorney, Agent, or Firm—Donald W. Margolis; Emery L. Tracy

[57] CLAIM

The ornamental design for a pulling anvil, as shown and described.

DESCRIPTION

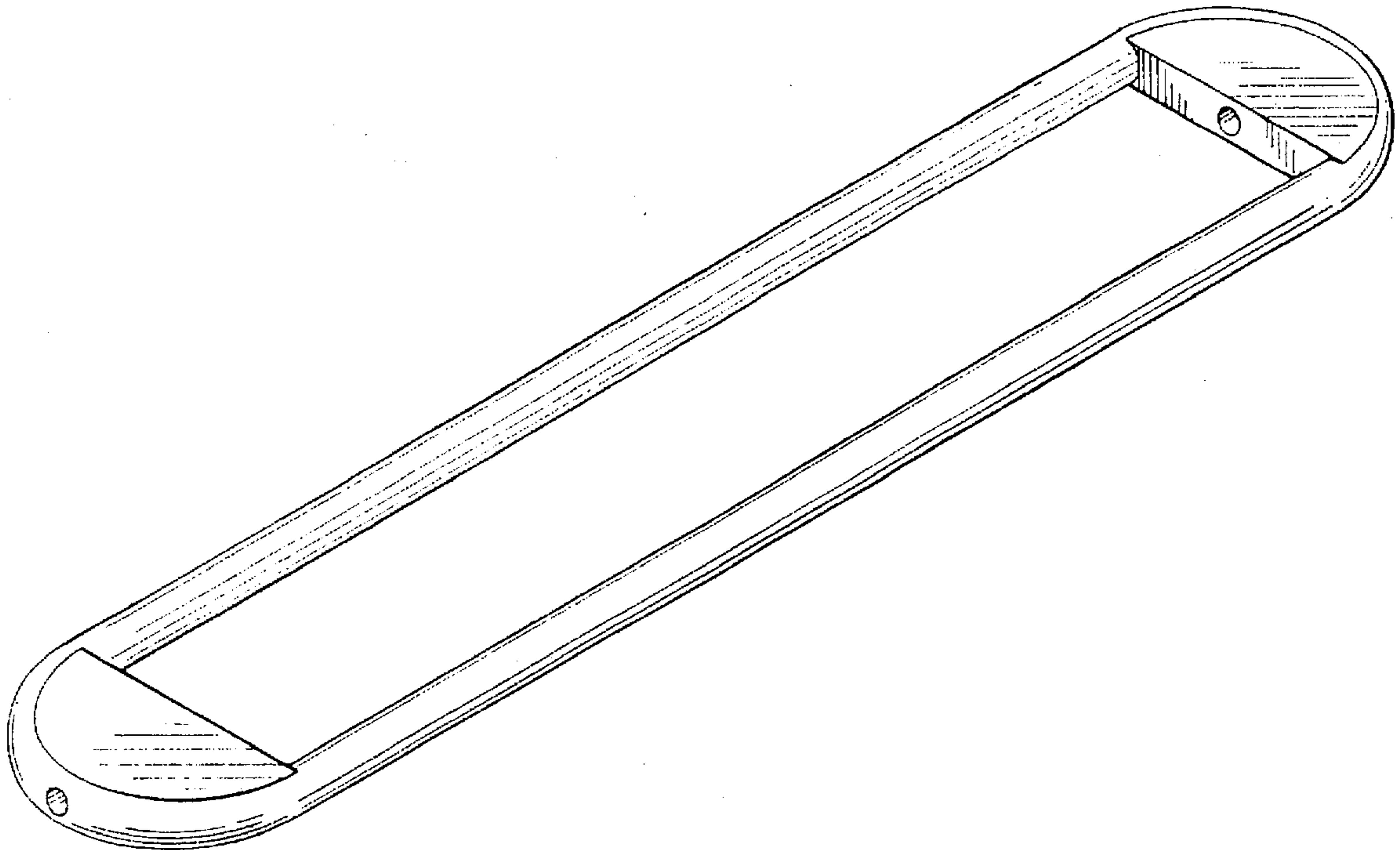
FIG. 1 is a top left perspective view of a pulling anvil showing my new design;
FIG. 2 is a top plan view thereof, the bottom plan view being identical;
FIG. 3 is a front elevational view thereof, the rear elevational view being identical;
FIG. 4 is a right side elevational view thereof; and,
FIG. 5 is a left side elevational view thereof.

[56] References Cited

U.S. PATENT DOCUMENTS

D. 263,275 3/1982 D'Amour D8/46
1,102,652 7/1914 Gibb et al. .
1,292,429 1/1919 Bull .
3,454,113 7/1969 Holtz .
3,651,873 3/1972 Uebel et al. .

1 Claim, 1 Drawing Sheet



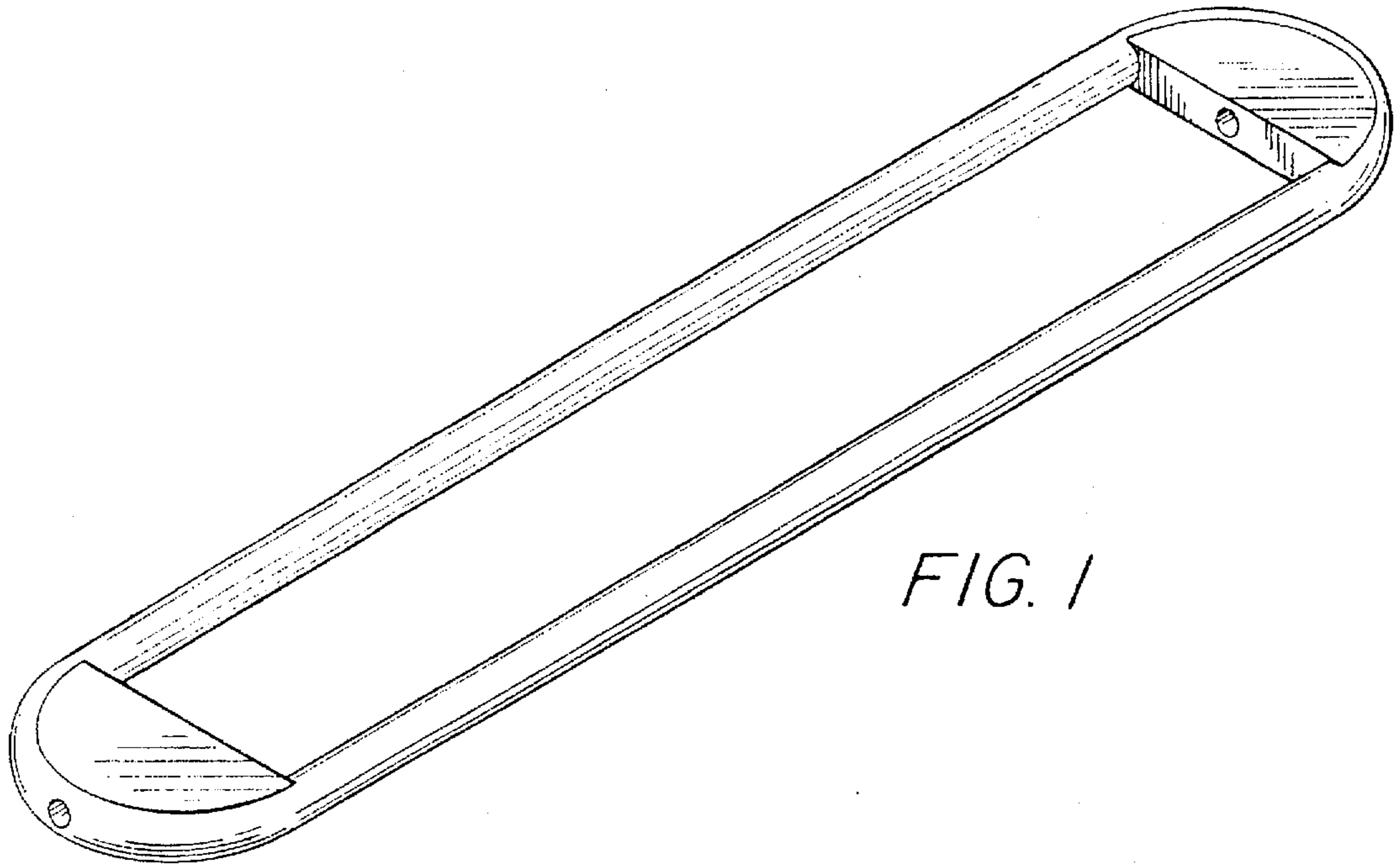


FIG. 1

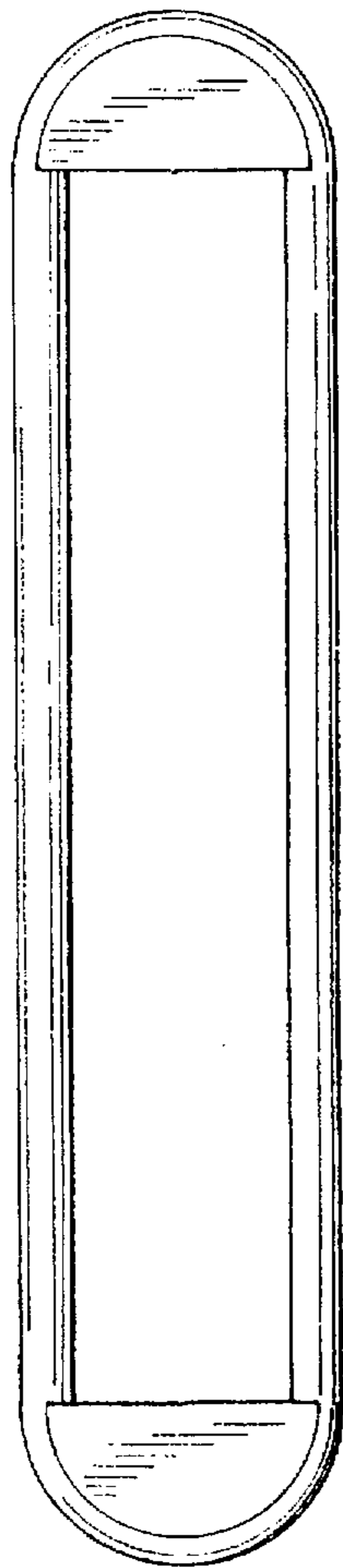


FIG. 2

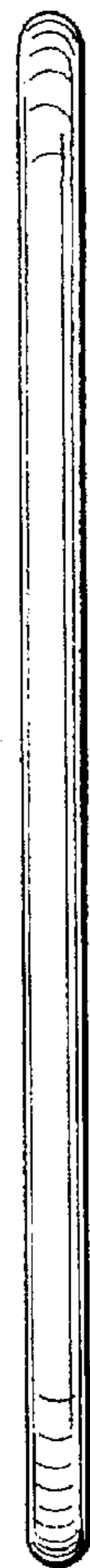


FIG. 3

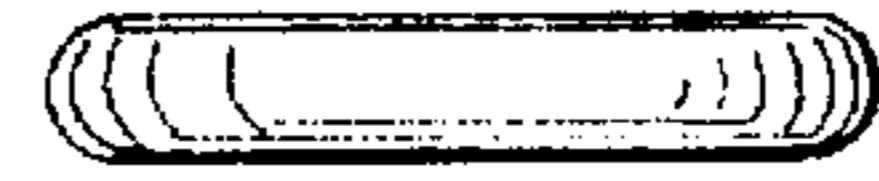


FIG. 4



FIG. 5