



US00D393575S

United States Patent [19]
Davidson

[11] **Patent Number:** **Des. 393,575**
[45] **Date of Patent:** ****Apr. 21, 1998**

[54] **BAGEL SLICER**

[76] **Inventor:** **Jimmy W. Davidson**, 6660 Upper Afton Rd., Woodbury, Minn. 55125

[**] **Term:** **14 Years**

[21] **Appl. No.:** **68,013**

[22] **Filed:** **Mar. 14, 1997**

[51] **LOC (6) Cl.** **07-04**

[52] **U.S. Cl.** **D7/673**

[58] **Field of Search** **D7/673, 674; 83/454, 83/459, 465, 468.7, 761, 762, 764, 870; 269/87.2, 287 R, 188, 291, 295**

4,399,989	8/1983	Baillie	269/87.2
4,550,636	11/1985	Josselson et al.	83/743
4,747,331	5/1988	Policella	83/762
4,807,505	2/1989	Campbell et al.	83/454
4,948,106	8/1990	Popeil et al.	269/87.2
5,361,666	11/1994	Kensrue	83/870
5,386,755	2/1995	Schneider et al.	83/762
5,431,078	7/1995	Ricard et al.	83/870

Primary Examiner—Terry A. Wallace
Attorney, Agent, or Firm—Westman, Champlin & Kelly, P.A.

[57] **CLAIM**

The ornamental design for a bagel slicer, as shown.

DESCRIPTION

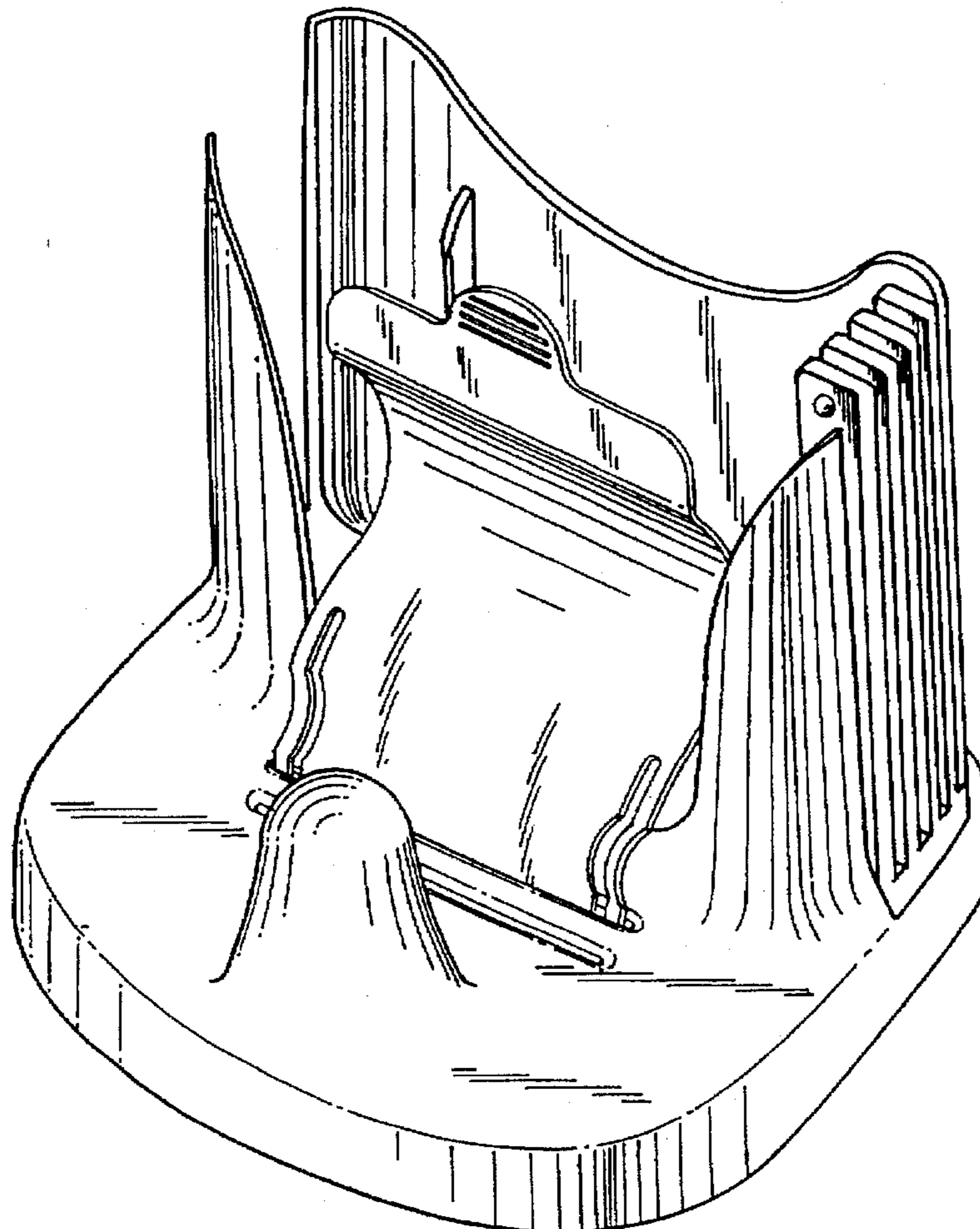
FIG. 1 is a front perspective view of a bagel slicer embodying my new design;
FIG. 2 is a top plan view thereof;
FIG. 3 is a front elevational view thereof;
FIG. 4 is a left side elevational view thereof;
FIG. 5 is a right side elevational view thereof;
FIG. 6 is a rear view thereof; and,
FIG. 7 is a bottom plan view thereof.

1 Claim, 7 Drawing Sheets

[56] **References Cited**

U.S. PATENT DOCUMENTS

D. 277,445	2/1985	Levine .	
D. 279,156	6/1985	Levine .	
D. 315,275	3/1991	Aziz et al.	D7/673
D. 316,657	5/1991	Mulherin	D7/673
D. 330,315	10/1992	Shved	D7/673
D. 343,770	2/1994	McFarling et al.	D7/673
D. 354,203	1/1995	Naccarato	D7/673
2,792,866	5/1957	Leal	146/218
4,249,445	2/1981	Browning	83/762



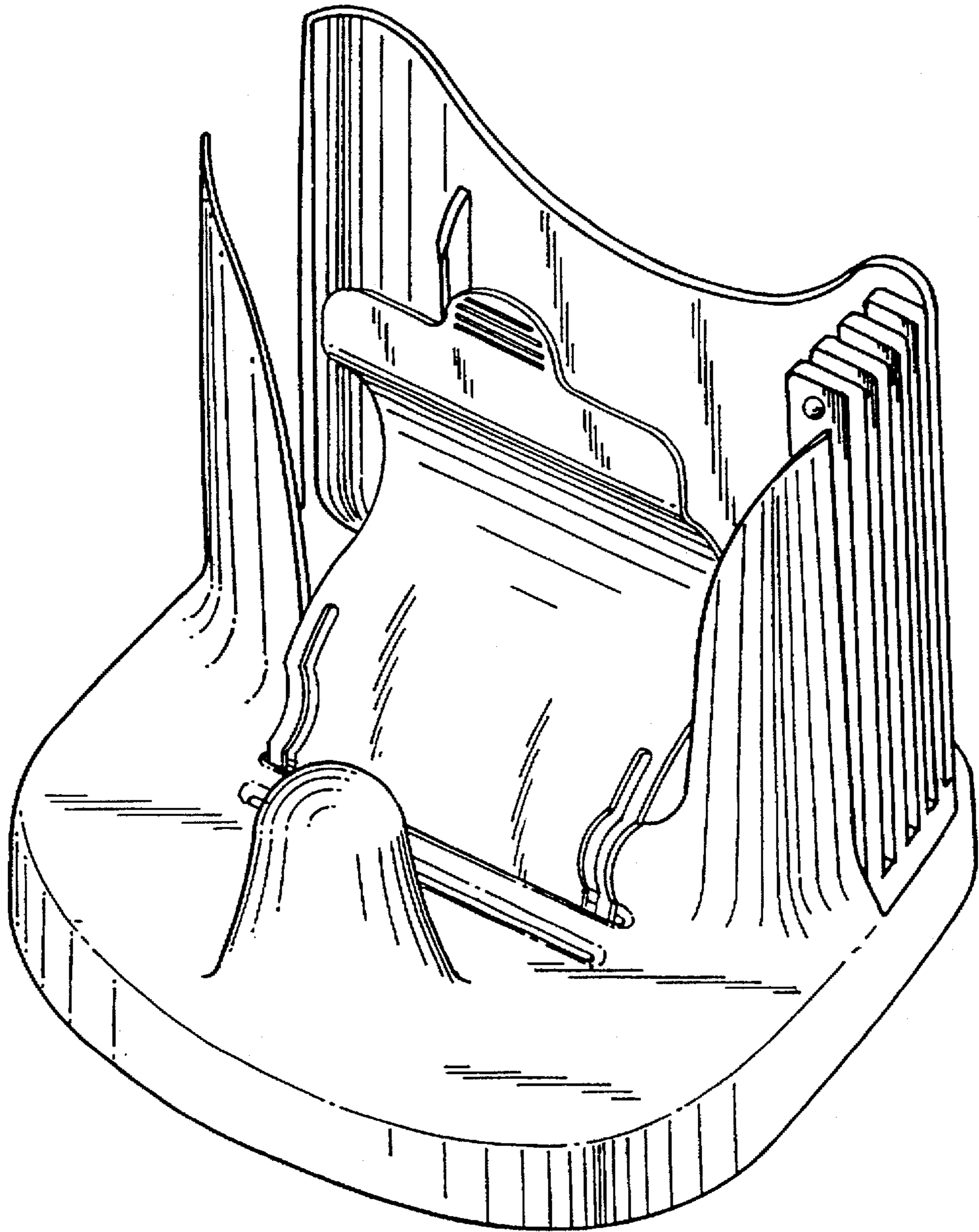


Fig. 1

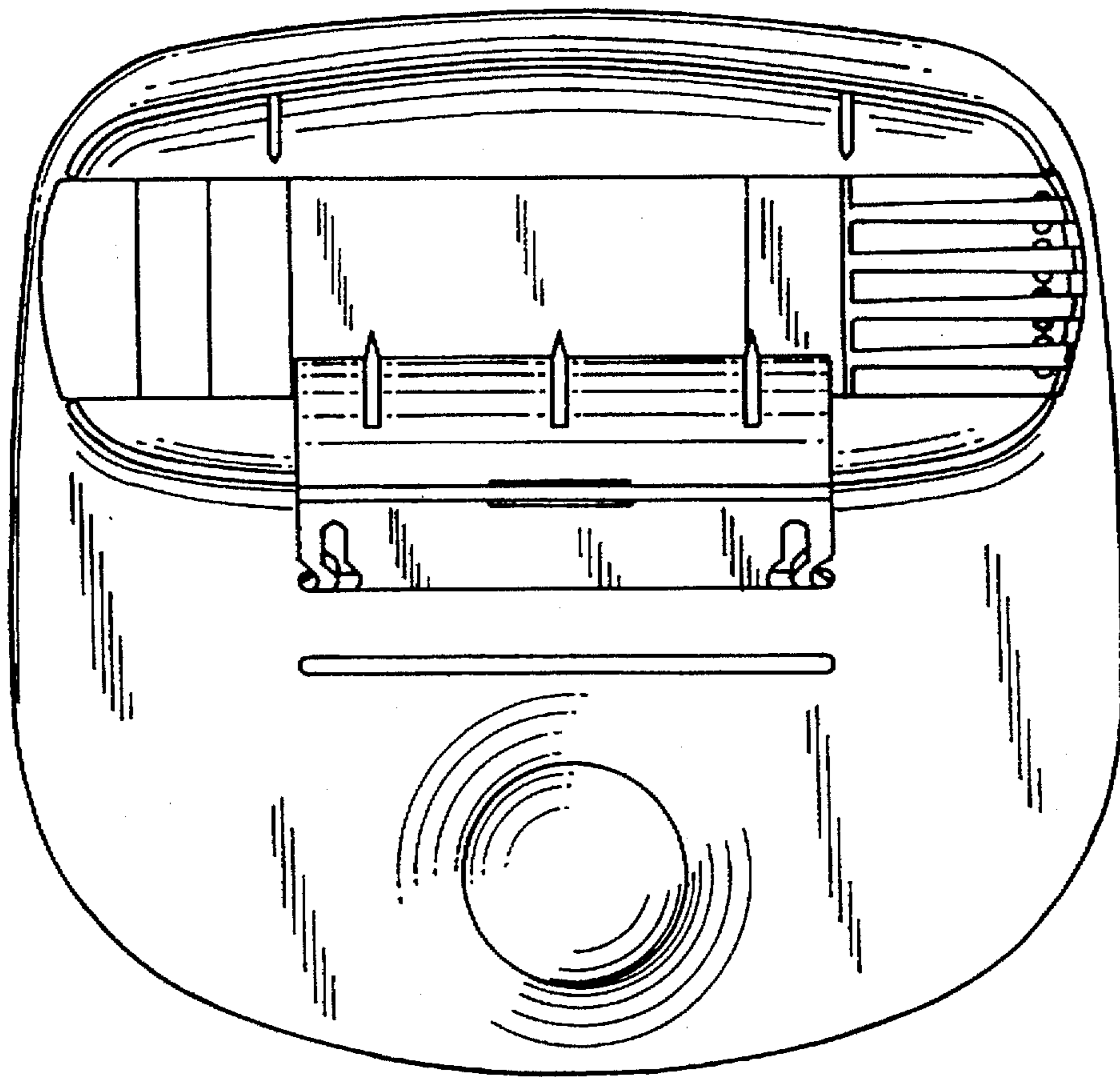


Fig. 2

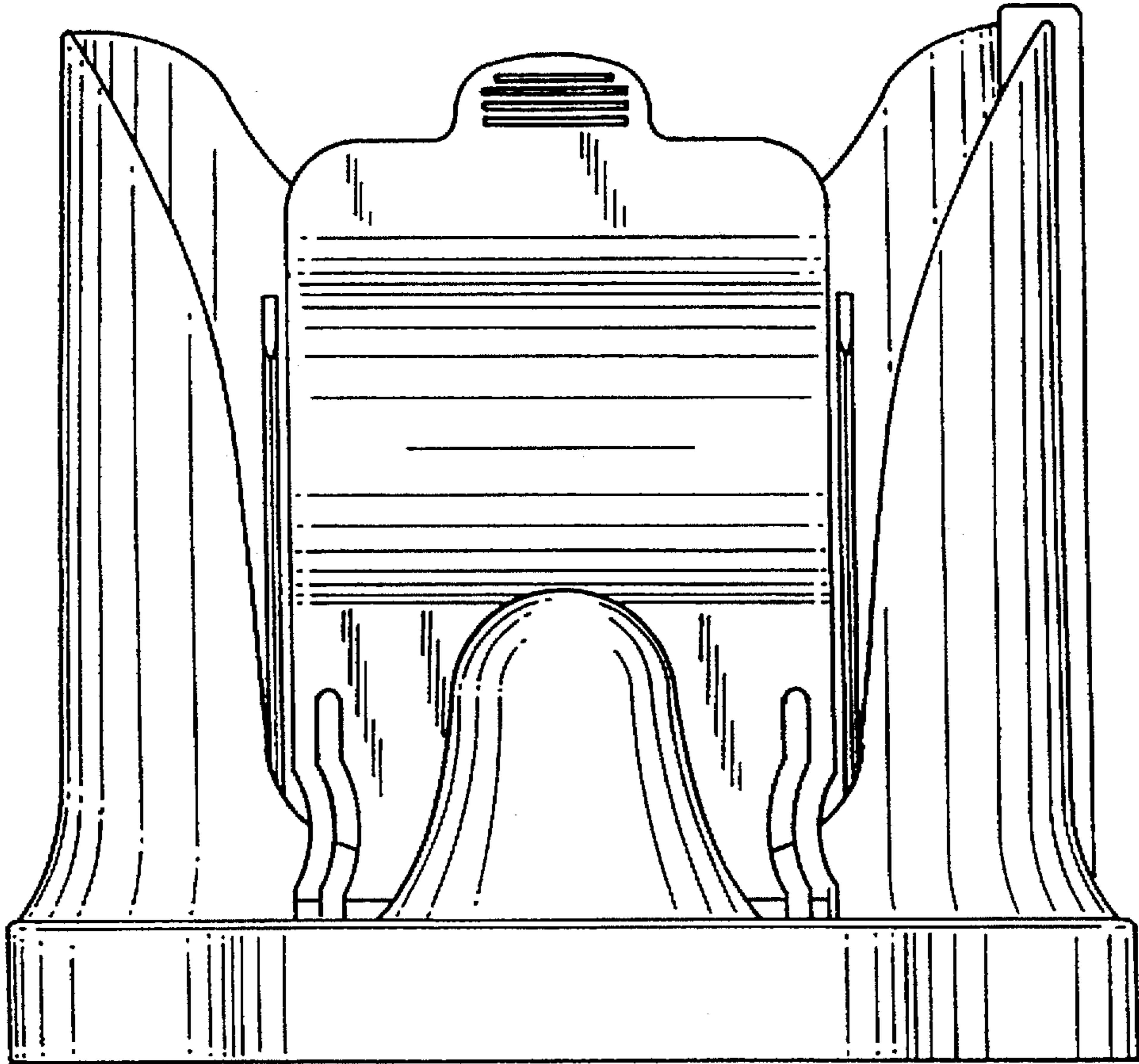


Fig. 3

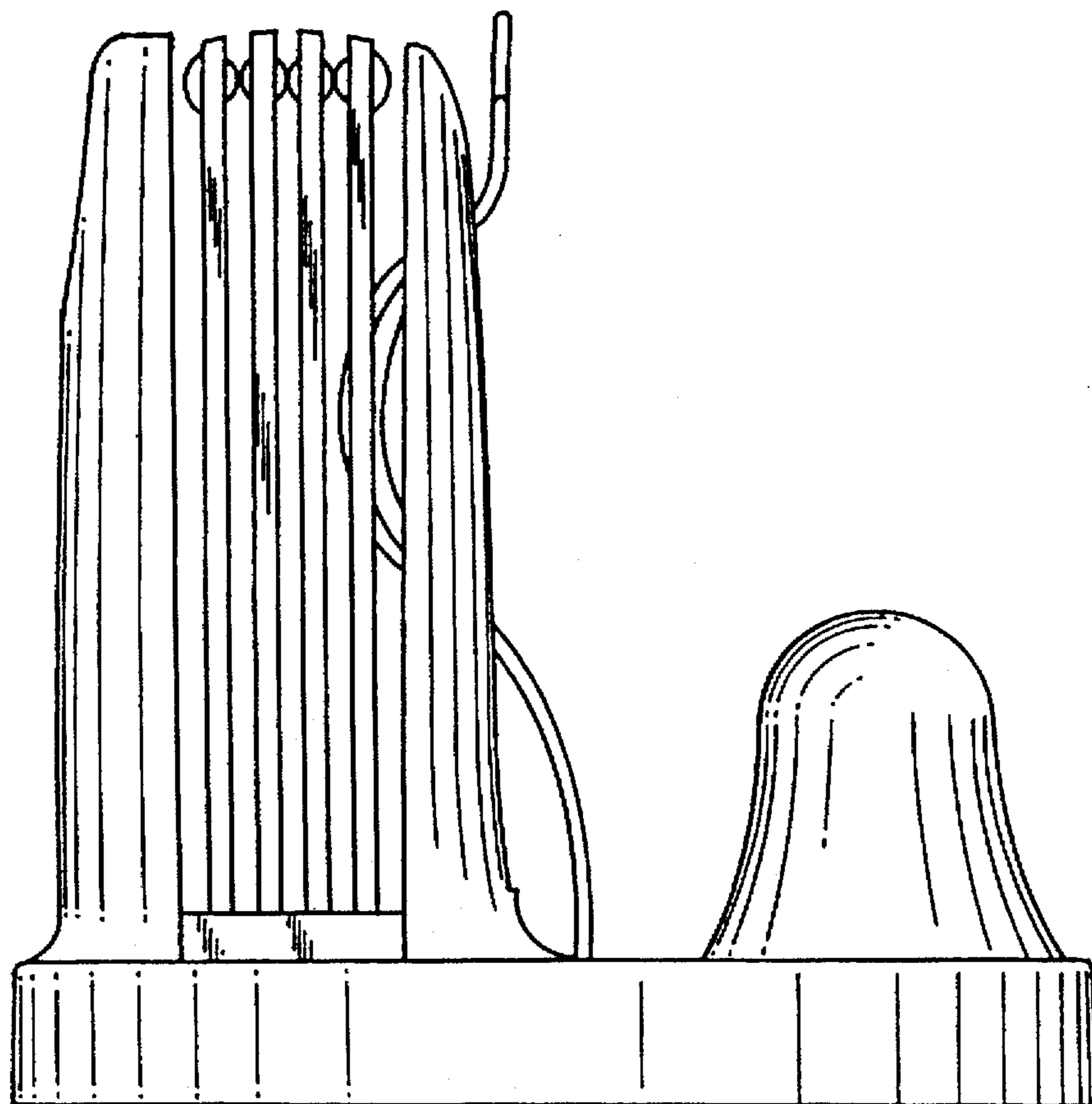


Fig. 4

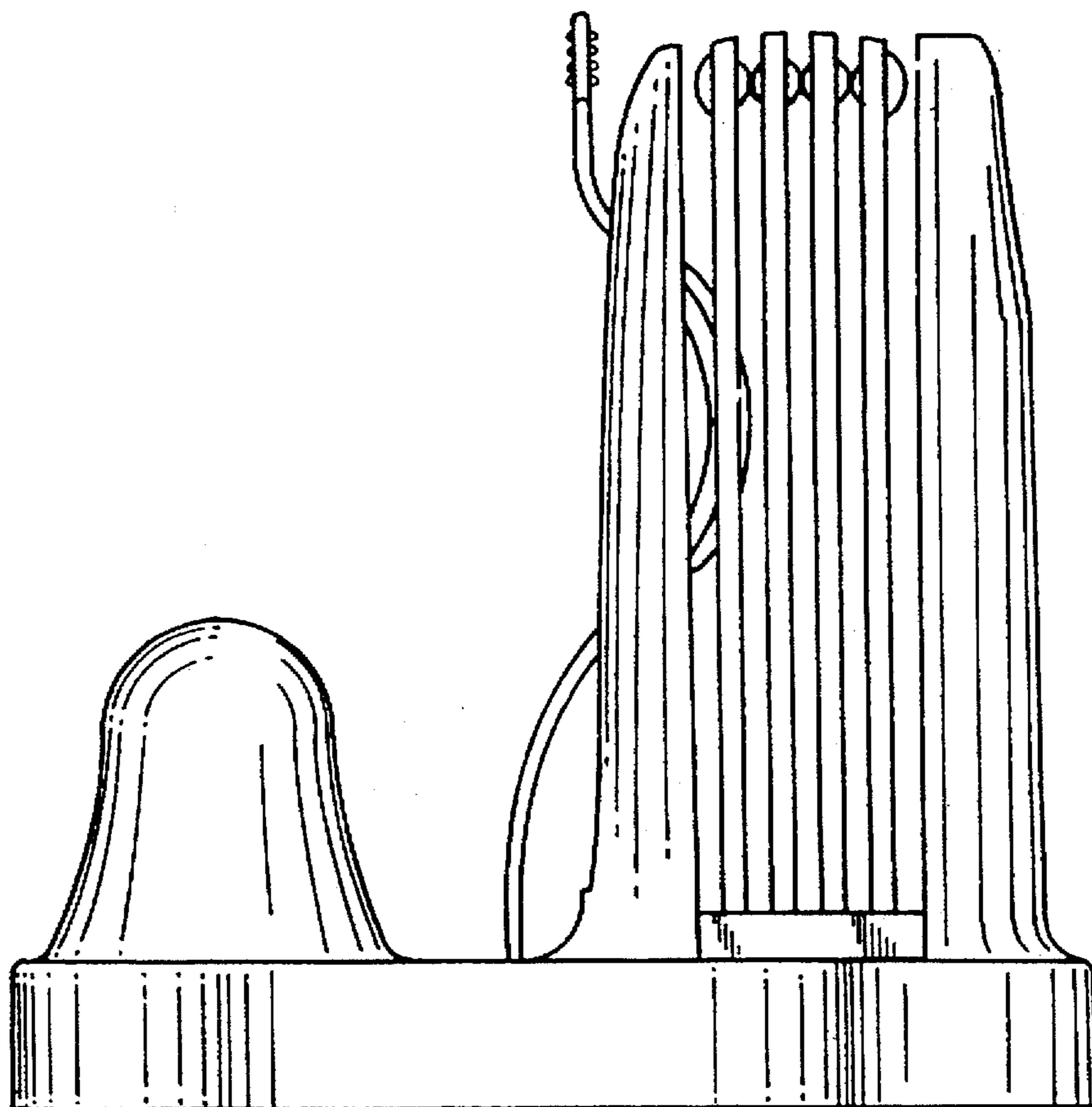


Fig. 5

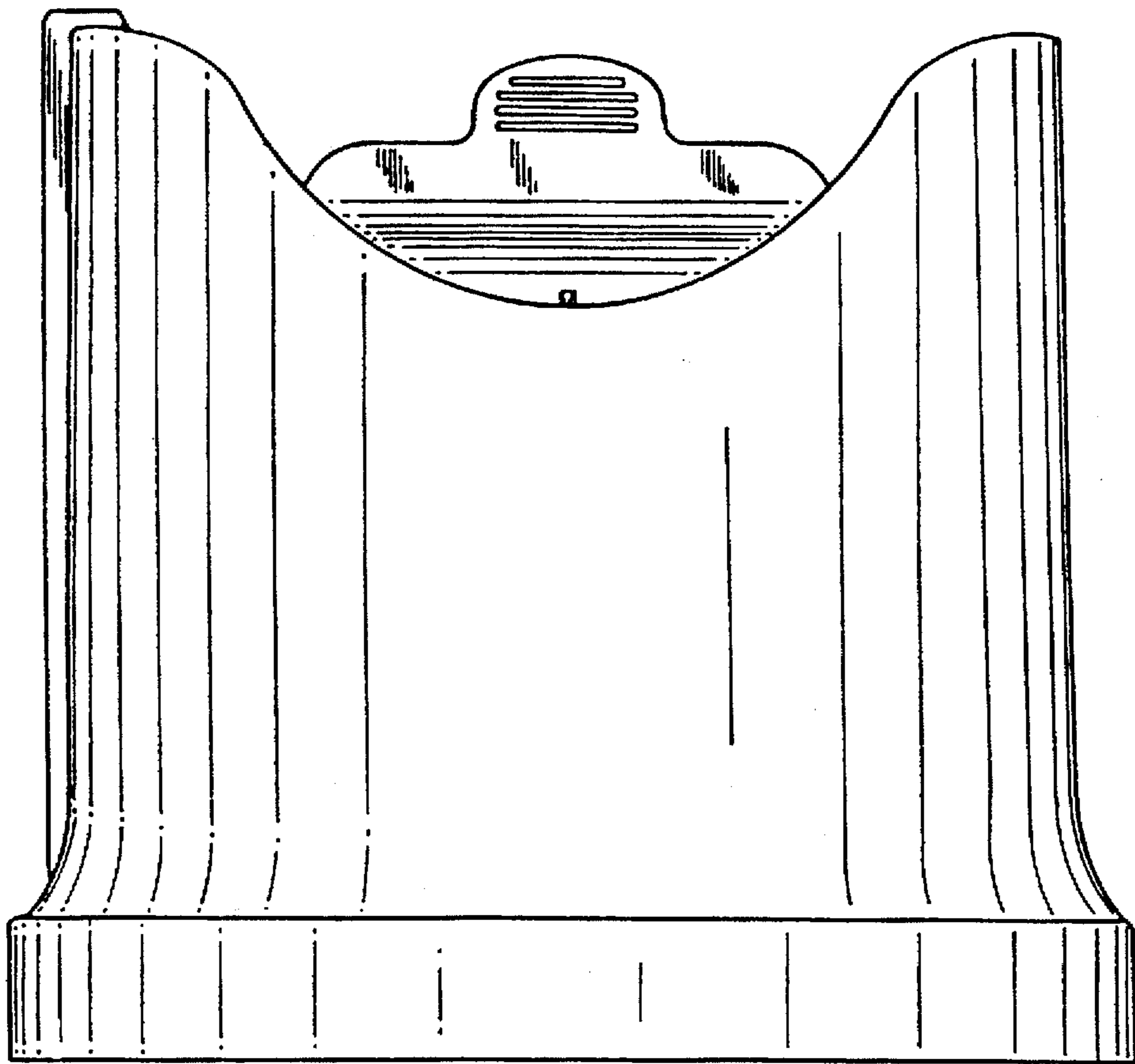


Fig. 6

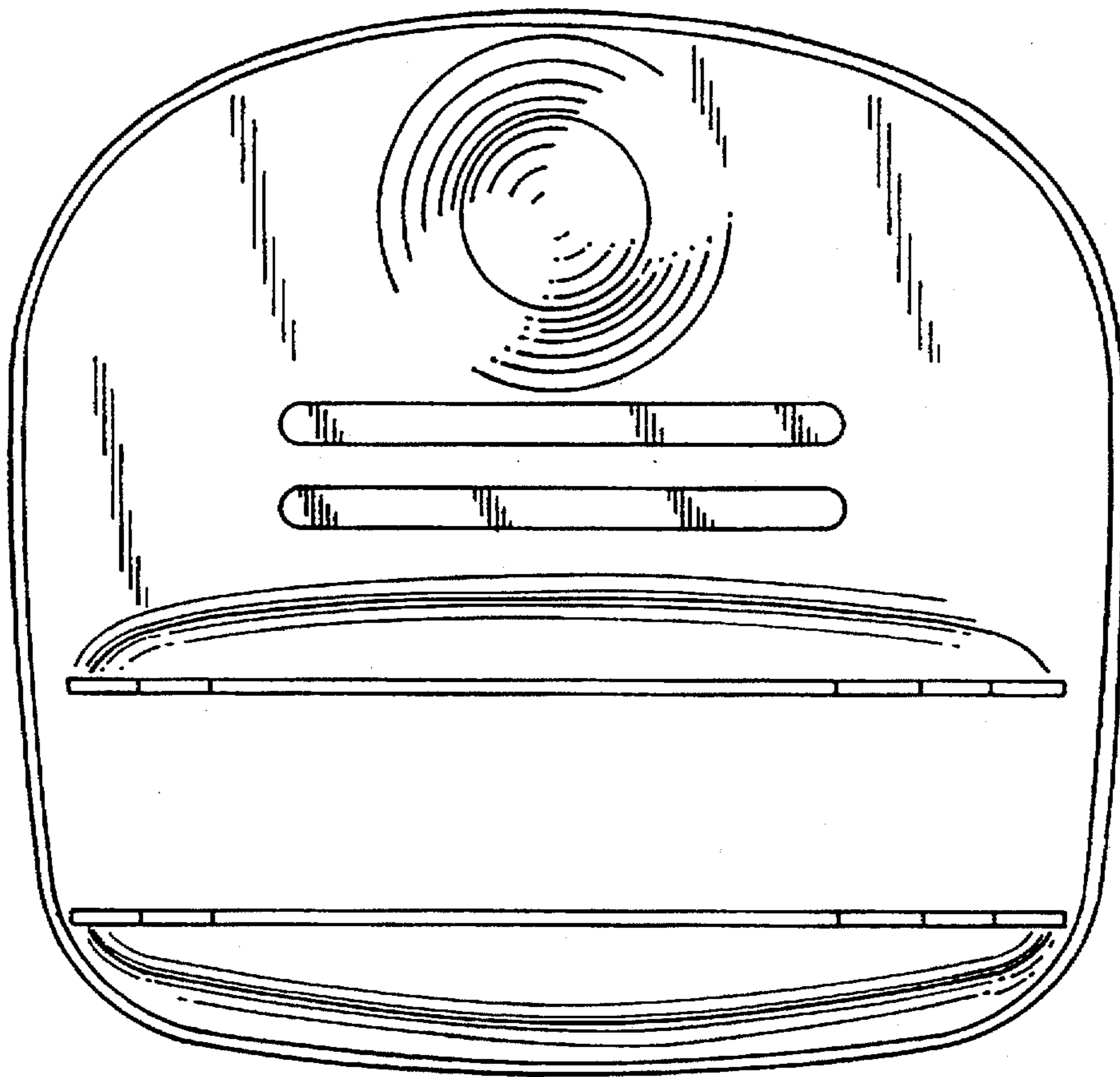


Fig. 7