



US00D393568S

United States Patent [19] Storsberg

[11] Patent Number: **Des. 393,568**
[45] Date of Patent: ****Apr. 21, 1998**

[54] **ESPRESSO FILTER HOLDER**
[75] Inventor: **Gunter Storsberg, Solingen, Germany**
[73] Assignee: **Robert Krups GmbH & Co. KG, Solingen, Germany**
[**] Term: **14 Years**

D. 364,528	11/1995	Storsberg	D7/310
D. 366,180	1/1996	Littmann	D7/309
D. 370,051	5/1996	Samson et al.	D7/400 X
D. 380,334	7/1997	Lin	D7/309
4,429,623	2/1984	Illy	99/295
4,505,191	3/1985	Longo	D7/398 X
4,534,858	8/1985	Aldrich et al.	210/471 X
4,599,937	7/1986	Ghione	99/293
4,852,474	8/1989	Malich et al.	D7/398 X
4,951,556	8/1990	Ng	D7/309 X

[21] Appl. No.: **57,511**
[22] Filed: **Jul. 26, 1996**
[30] Foreign Application Priority Data
Jan. 26, 1996 [FR] France 96 0521

Primary Examiner—M. N. Pandozzi
Attorney, Agent, or Firm—Darby & Darby

[51] LOC (6) Cl. **07-99**
[52] U.S. Cl. **D7/400; D7/397**
[58] Field of Search D7/400, 397, 398,
D7/309, 310; 210/471; 99/288, 295, 293

[57] **CLAIM**
The ornamental design for an espresso filter holder, as shown.

[56] References Cited U.S. PATENT DOCUMENTS

DESCRIPTION

D. 342,182	12/1993	de Salazar Camera	D7/310 X
D. 344,205	2/1994	Saltet	D7/310 X
D. 355,560	2/1995	Assmann	D7/310 X
D. 360,802	8/1995	Seiffert	D7/310 X
D. 361,691	8/1995	Maass, Jr.	D7/309

FIG. 1 is a rear-right-top perspective view of my new design for an espresso filter holder;
FIG. 2 is a front elevation view thereof;
FIG. 3 is a right side elevation view thereof;
FIG. 4 is a rear elevation view thereof;
FIG. 5 is a left side elevation view thereof;
FIG. 6 is a top plan view thereof; and,
FIG. 7 is a bottom plan view thereof.

1 Claim, 3 Drawing Sheets

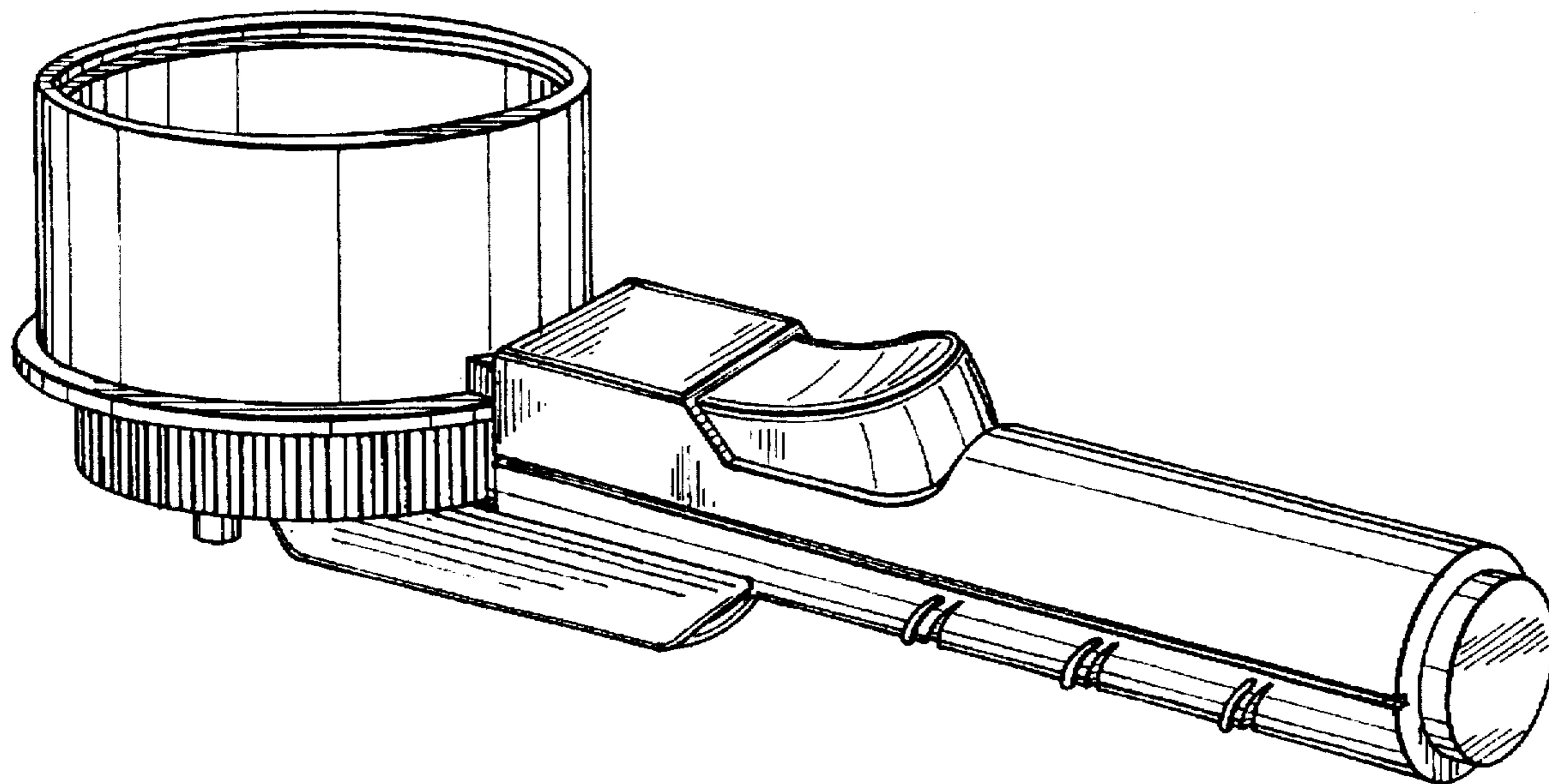


FIG. 1

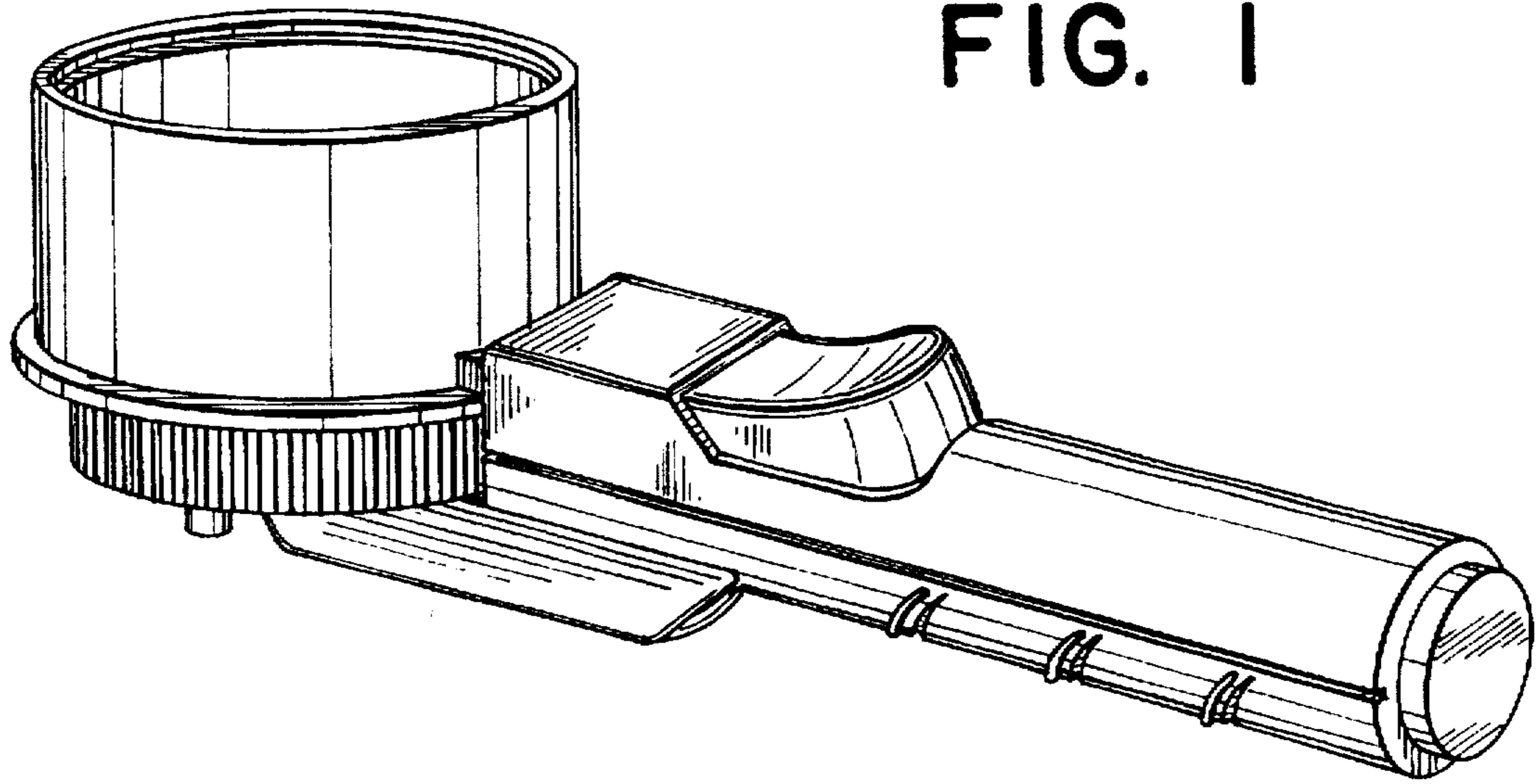


FIG. 2

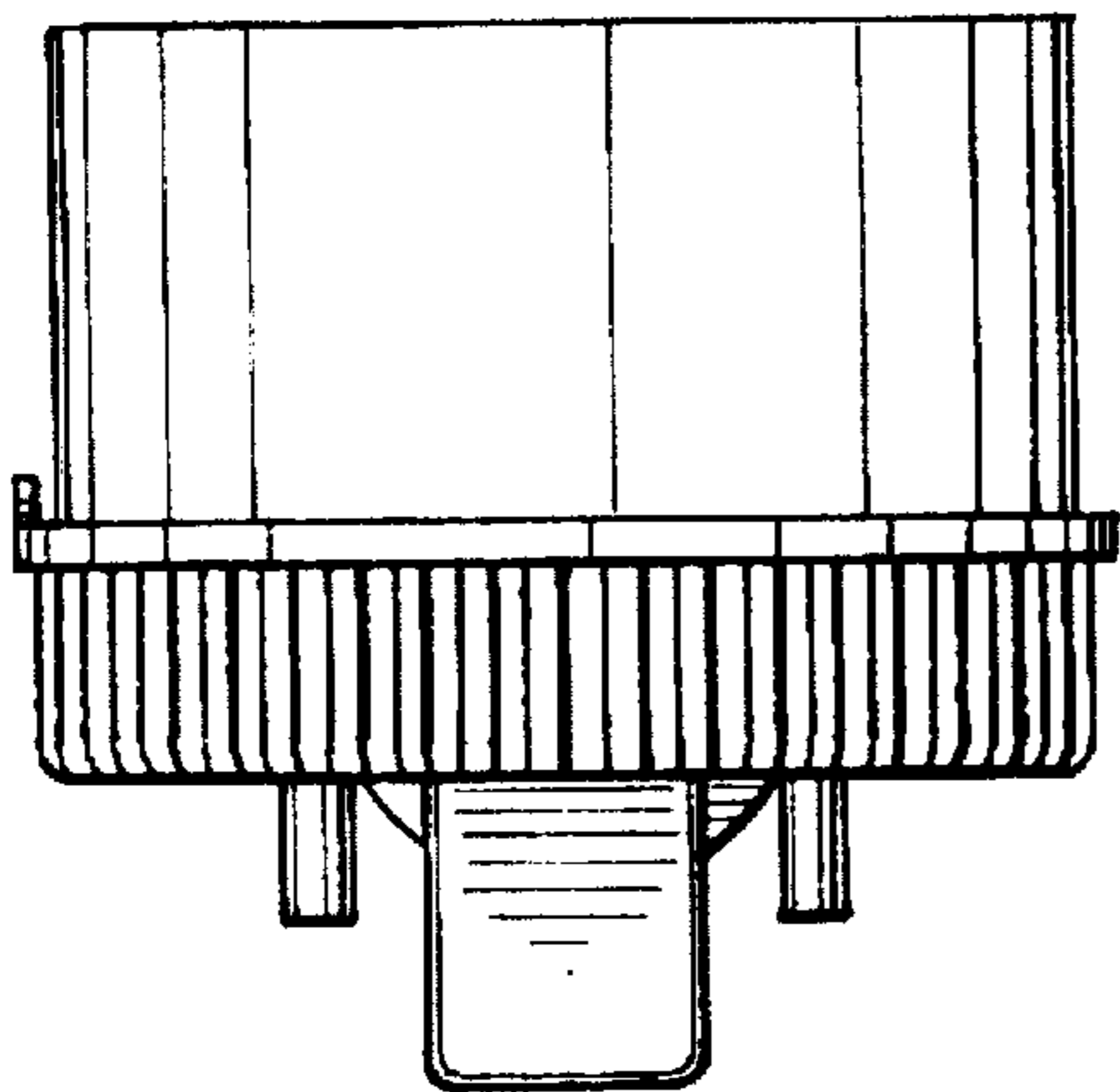


FIG. 4

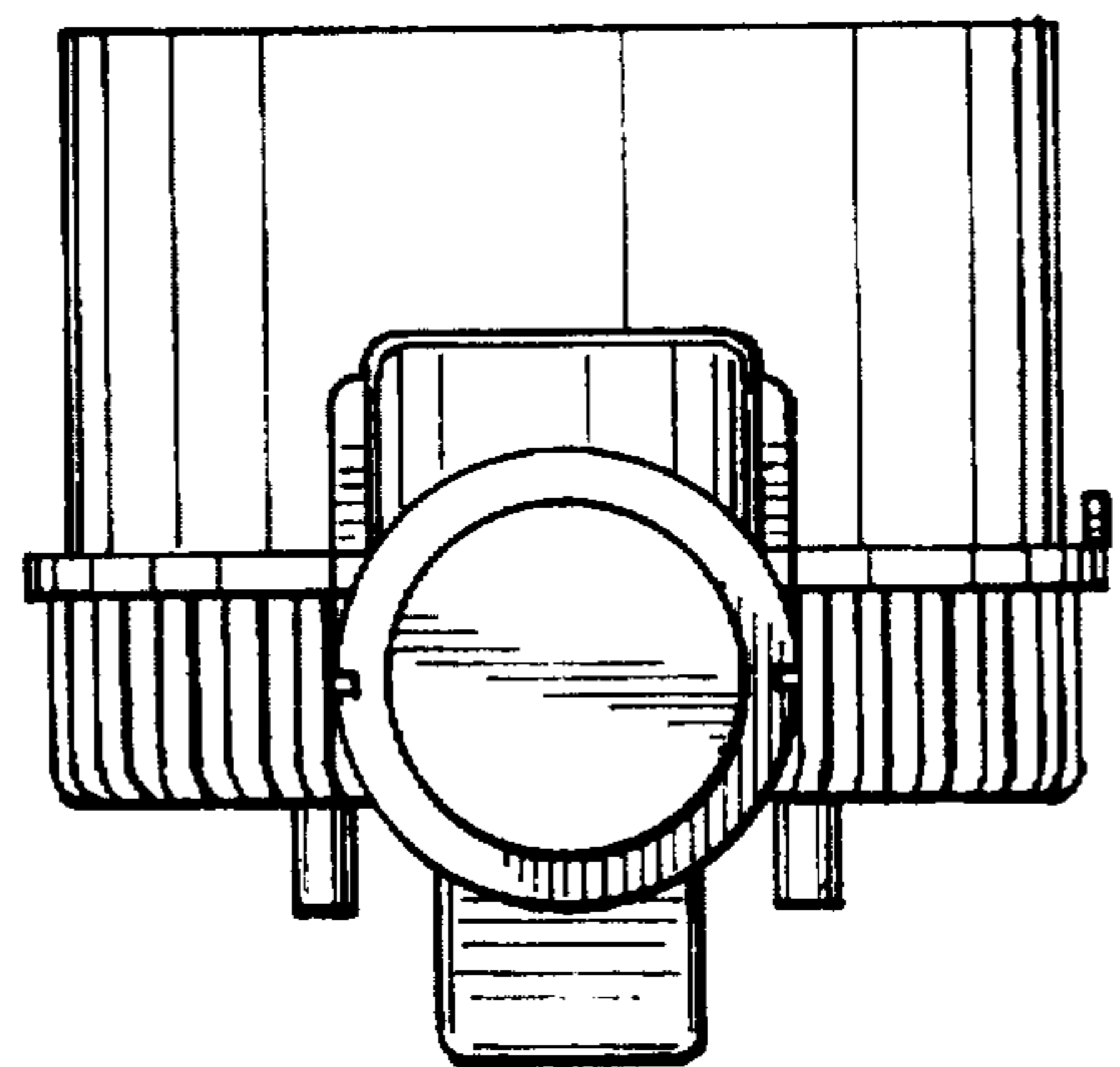


FIG. 3

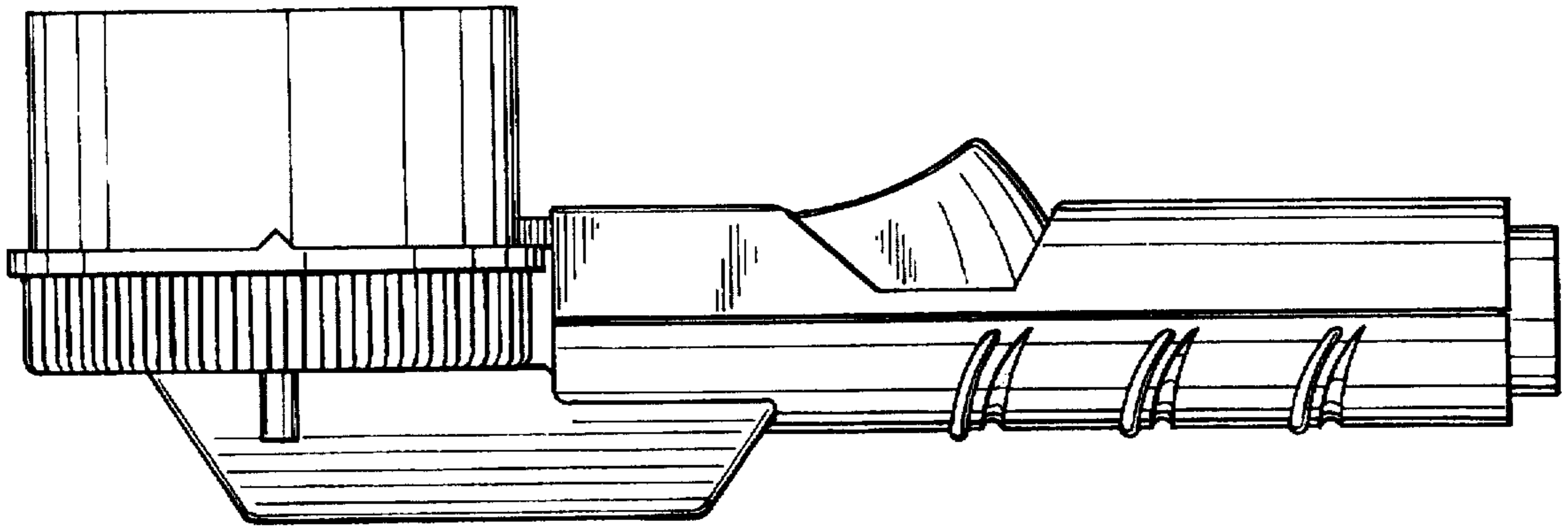


FIG. 5

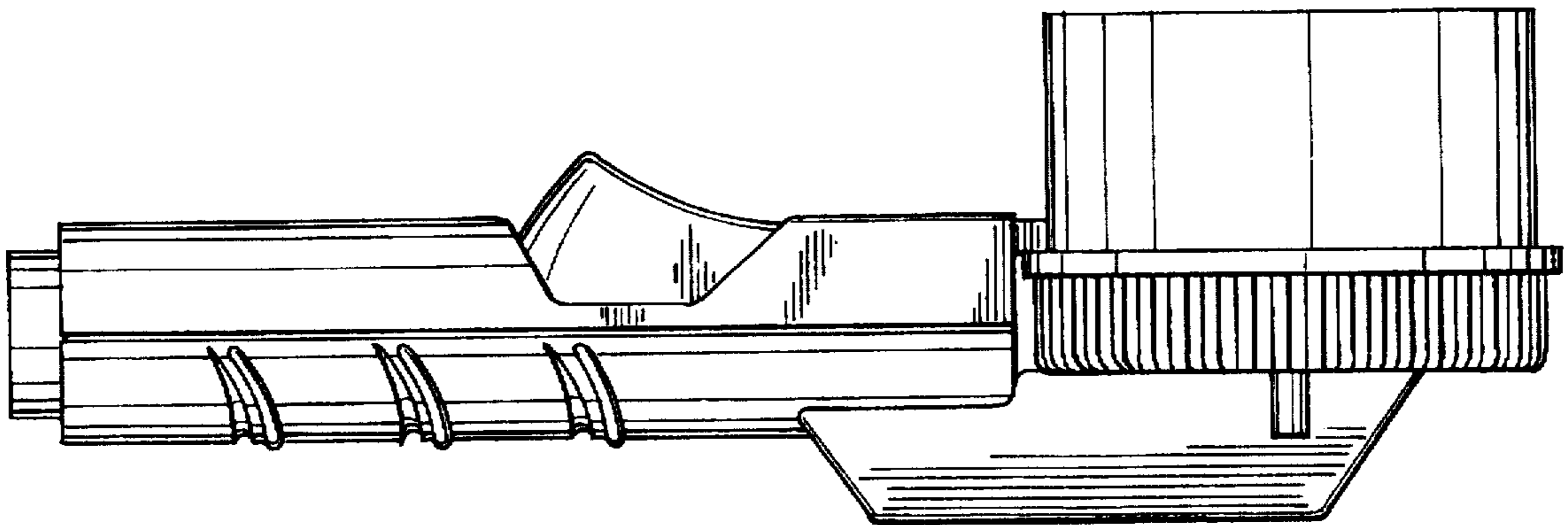


FIG. 6

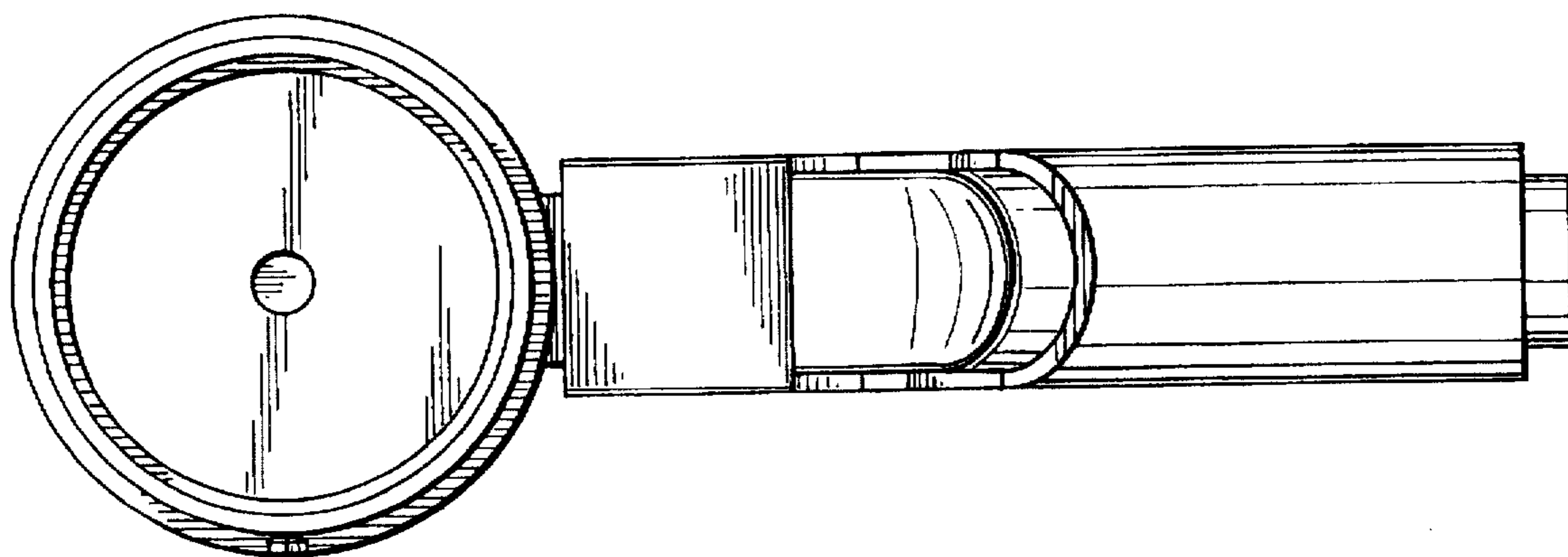


FIG. 7

