



US00D393559S

# United States Patent [19]

Laga

[11] Patent Number: **Des. 393,559**

[45] Date of Patent: **\*\*Apr. 21, 1998**

[54] **ADJUSTABLE STORAGE SYSTEM**

[75] Inventor: **Kenneth Laga**, Franklin, Mass.

[73] Assignee: **The Lehigh Group**, Macungie, Pa.

[\*\*] Term: **14 Years**

[21] Appl. No.: **71,954**

[22] Filed: **Jun. 9, 1997**

[51] LOC (6) Cl. .... **08-08**

[52] U.S. Cl. .... **D6/569**

[58] Field of Search ..... **D6/552, 553, 567, D6/569, 571, 572; 211/13.1, 30, 32, 35, 86, 87, 181.1**

[56] **References Cited**

**U.S. PATENT DOCUMENTS**

- D. 299,481 1/1989 Handler et al. .... D6/569
- D. 302,918 8/1989 Maki ..... D6/569

- D. 304,137 10/1989 Handler et al. .... D6/569
- D. 310,762 9/1990 Embree et al. .... D6/569
- D. 320,720 10/1991 Goodman et al. .... D6/569
- D. 363,208 10/1995 Seidel ..... D6/566 X

*Primary Examiner*—Brian N. Vinson  
*Attorney, Agent, or Firm*—Samuels, Gauthier, Stevens & Reppert

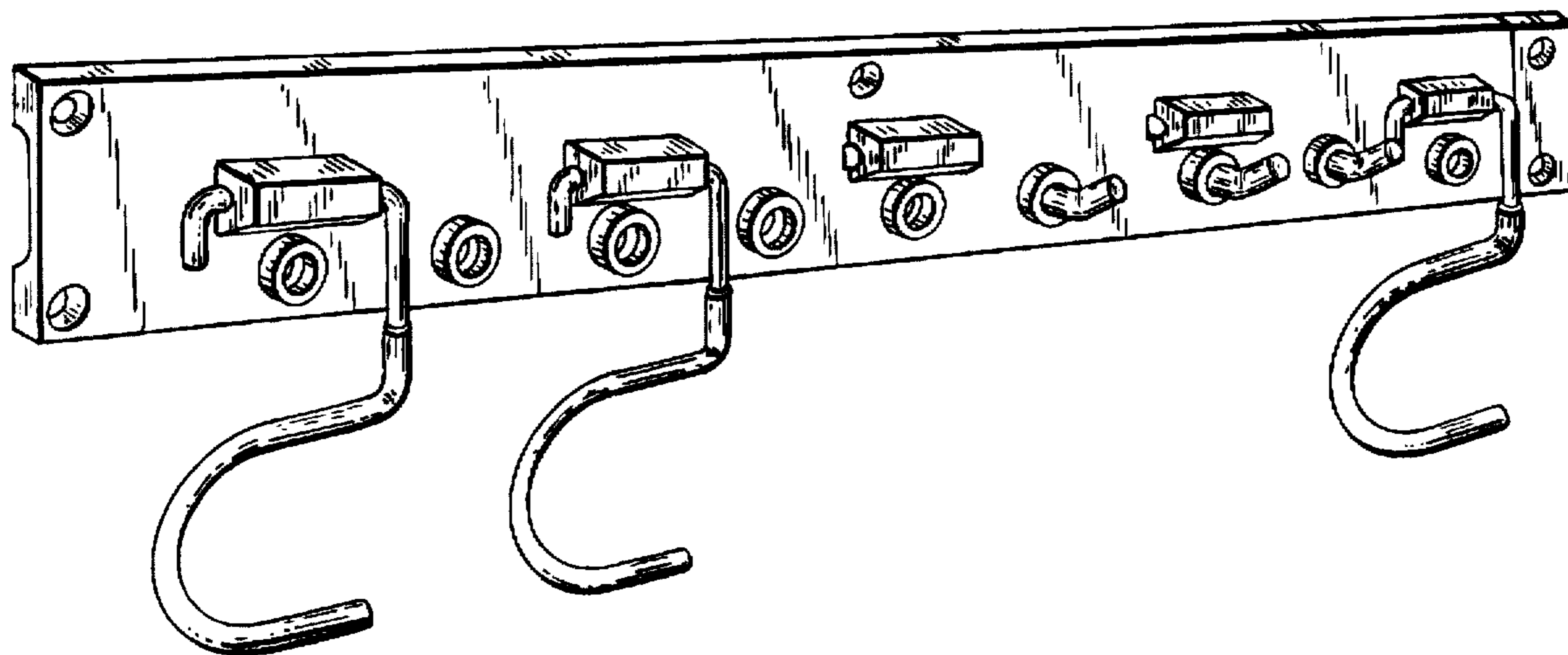
[57] **CLAIM**

The ornamental design for an adjustable storage system, as shown and described.

**DESCRIPTION**

FIG. 1 is an isometric view of the invention; FIG. 2 is a top view of the invention; FIG. 3 is a front view of the invention; FIG. 4 is a left side view of the invention; FIG. 5 is a right side view of the invention; and, FIG. 6 is a bottom view of the invention.

**1 Claim, 2 Drawing Sheets**



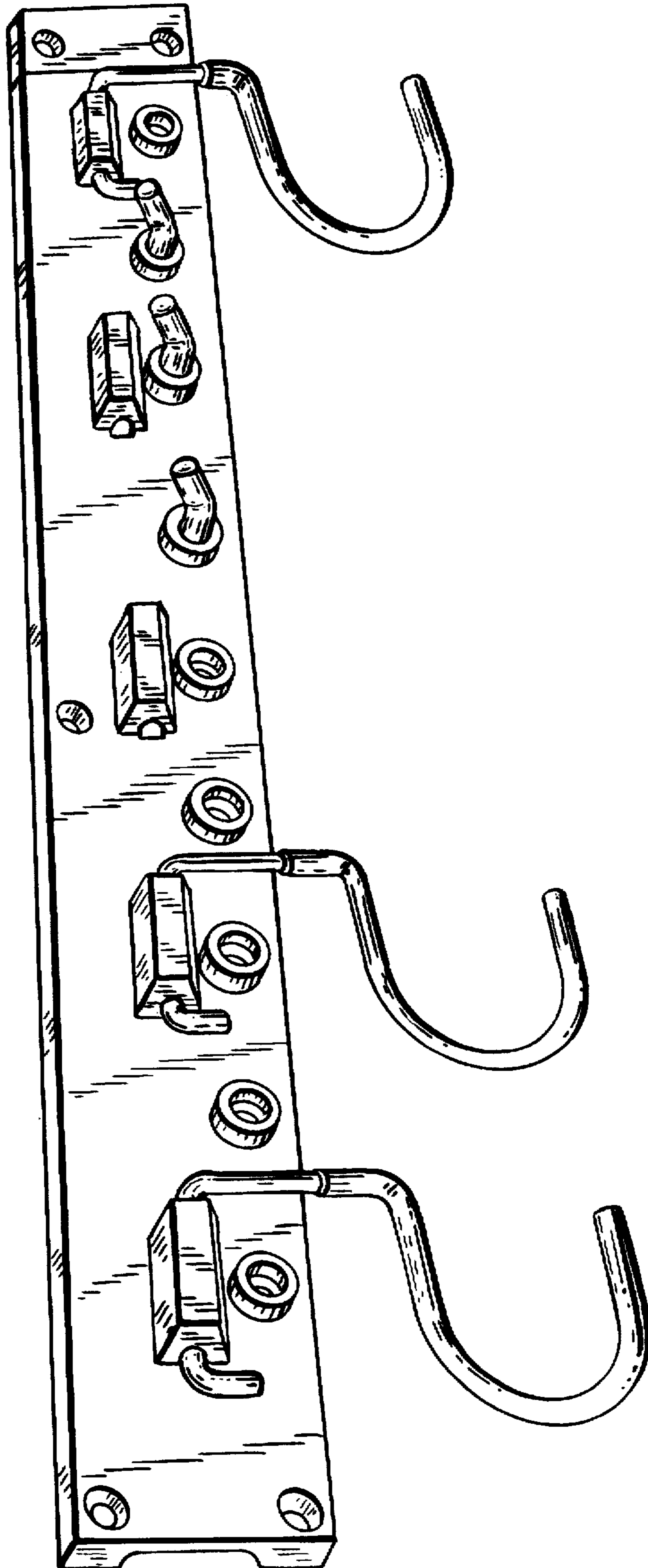


FIG. 1



FIG. 2

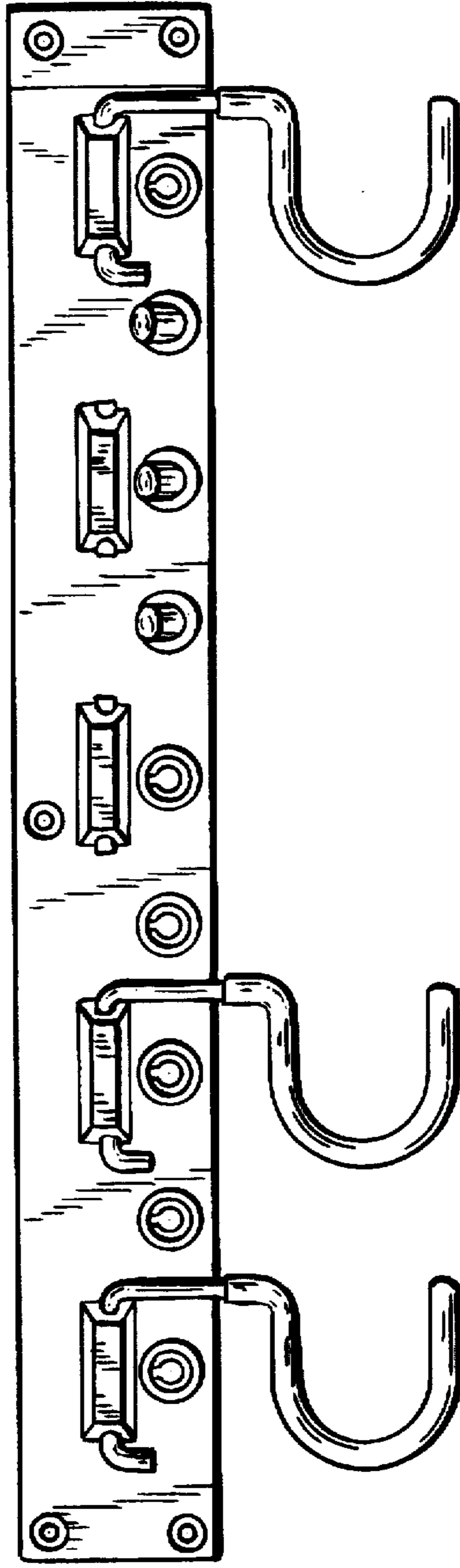


FIG. 3

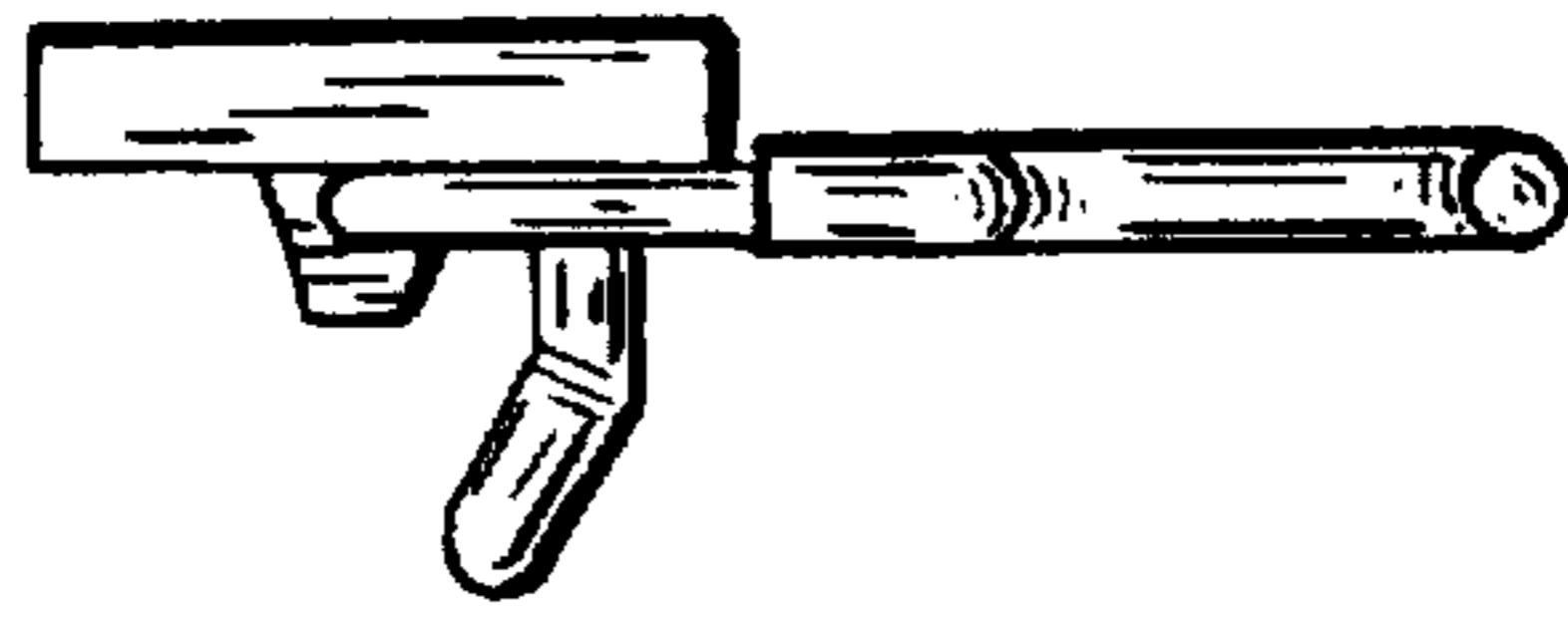


FIG. 5

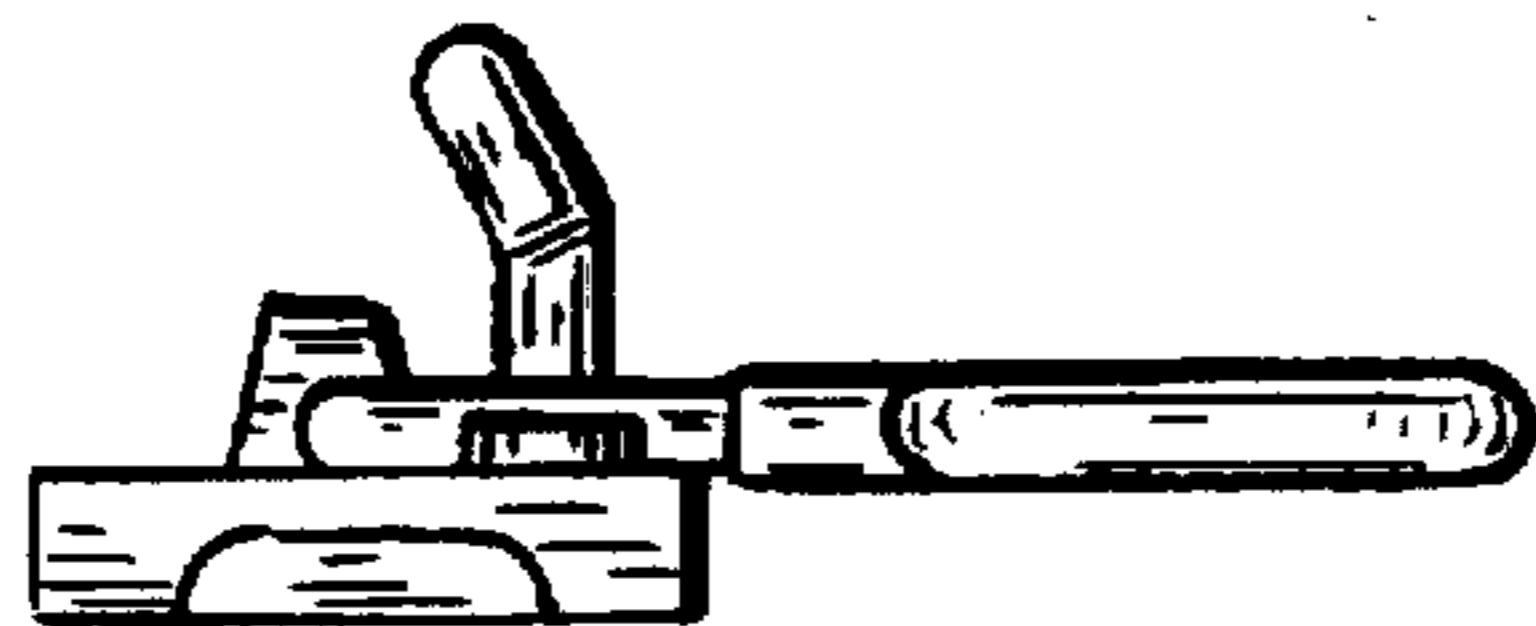


FIG. 4

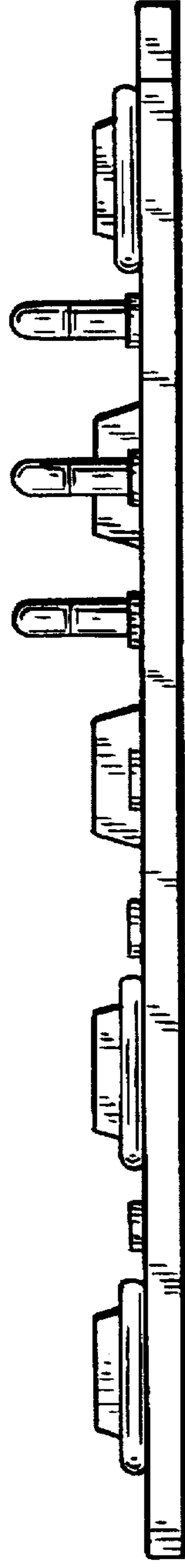


FIG. 6