



US00D393558S

United States Patent [19]

Thorp et al.

[11] Patent Number: Des. 393,558

[45] Date of Patent: **Apr. 21, 1998

[54] UPRIGHT FREE-STANDING SHELF UNIT

[75] Inventors: Clarkson S. Thorp, Wayland; Paul A. Glashouwer, Byron Center, both of Mich.

[73] Assignee: Haworth, Inc., Holland, Mich.

[**] Term: 14 Years

[21] Appl. No.: 66,129

[22] Filed: Feb. 5, 1997

Related U.S. Application Data

[63] Continuation of Ser. No. 39,979, Jun. 7, 1995, abandoned.

[51] LOC (6) Cl. 06-04

[52] U.S. Cl. D6/479

[58] Field of Search D6/477-489, 462, D6/464, 465, 475, 476; 108/25, 59, 86, 91, 92, 93, 186, 193; 211/126.1, 133.1, 135, 133.2, 186-188, 194; D34/17, 21

[56] References Cited

U.S. PATENT DOCUMENTS

D. 184,530	3/1959	McCarthy et al. .	
D. 346,291	4/1994	Chi	D6/479
366,051	7/1887	Weatherley	211/186
387,267	8/1888	Talbot .	
916,785	3/1909	Rowell .	
1,431,823	10/1922	Leconte .	
2,886,186	5/1959	Hamilton	211/186
3,280,767	10/1966	Kahn	108/144
3,783,801	1/1974	Engman .	
4,763,799	8/1988	Cohn et al.	211/186
5,036,778	8/1991	Briosi .	
5,257,701	11/1993	Edelson	211/149

FOREIGN PATENT DOCUMENTS

2405046	5/1979	France	108/193
2508293	12/1982	France	108/59
339162	12/1930	United Kingdom	108/91

OTHER PUBLICATIONS

Etagair Collection—DAS System brochure, Etagair GmbH, Jun. 30, 1994, (4 pages).

Primary Examiner—James Gandy
Assistant Examiner—Linda Brooks
Attorney, Agent, or Firm—Flynn, Thiel, Boutell & Tanis, P.C.

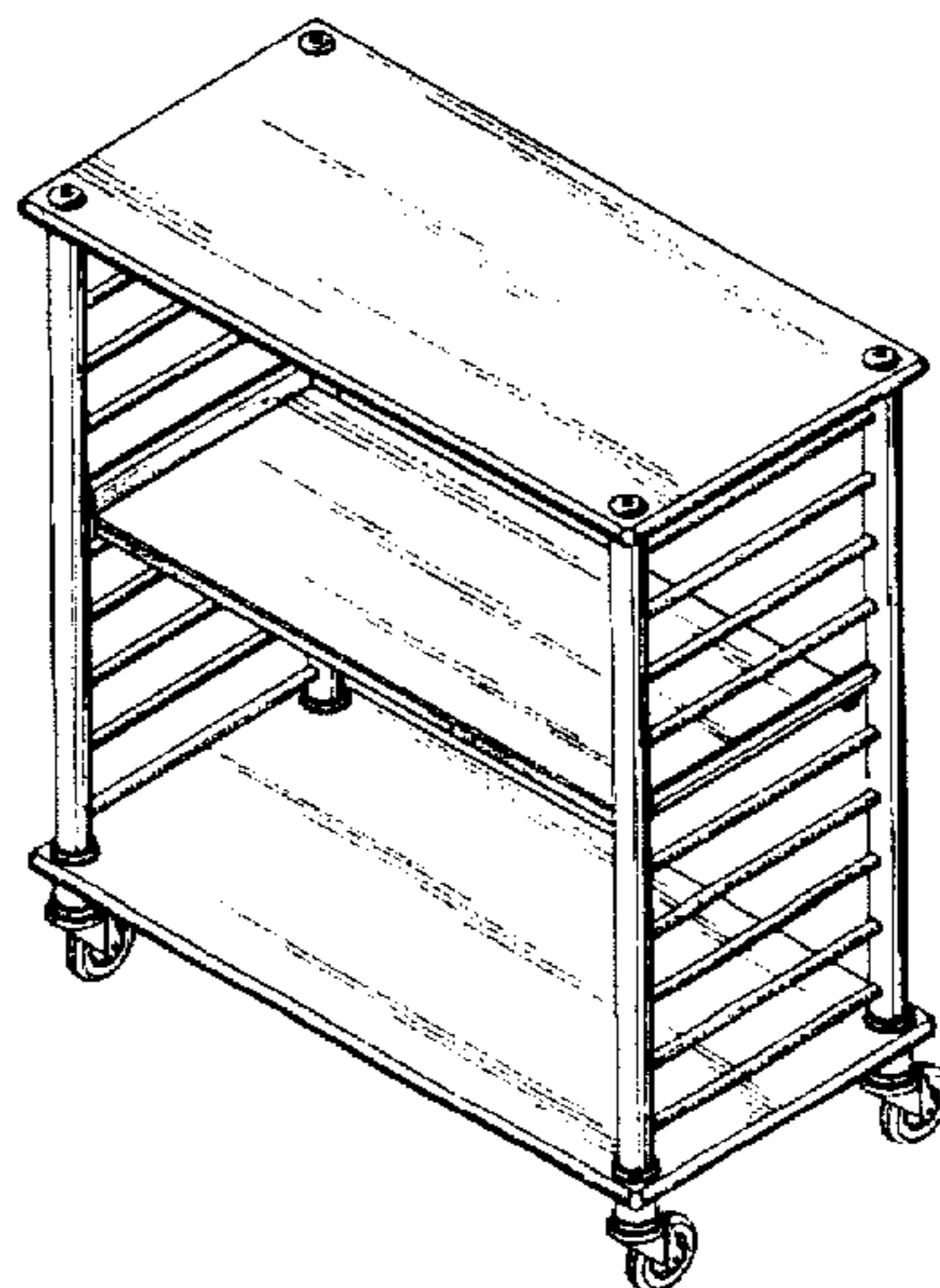
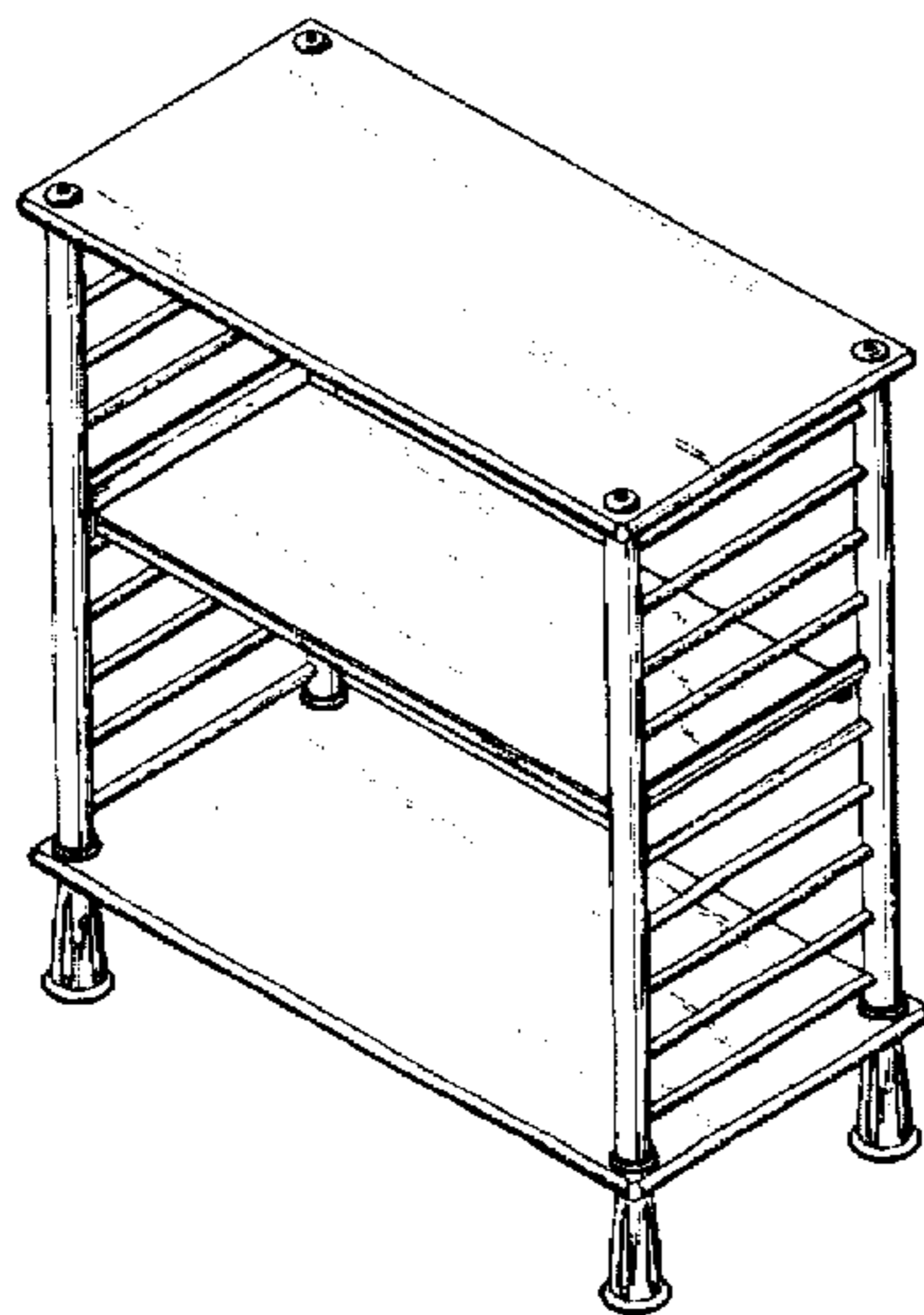
[57] CLAIM

The ornamental design for an upright free-standing shelf unit, as shown and described.

DESCRIPTION

FIG. 1 is an isometric view of a first embodiment of the upright free-standing shelf unit embodying our design; FIG. 2 is a front elevational view thereof, the rear elevational view being substantially identical thereto; FIG. 3 is a top view thereof; FIG. 4 is a bottom view thereof; and, FIG. 5 is a right-side elevational view thereof, the left-side elevational view being a mirror image thereof; FIG. 6 is an isometric view of a second embodiment of the upright free-standing shelf unit embodying our design; FIG. 7 is a front elevational view thereof, the rear elevational view being substantially identical thereto; FIG. 8 is a top view thereof; FIG. 9 is a bottom view thereof; and, FIG. 10 is a right-side elevational view thereof, the left-side elevational view being a mirror image thereof; FIG. 11 is an isometric view of a third embodiment of the upright free-standing shelf unit embodying our design; FIG. 12 is a front elevational view thereof, the rear elevational view being substantially identical thereto; FIG. 13 is a top view thereof; FIG. 14 is a bottom view thereof; and, FIG. 15 is a right-side elevational view thereof, the left-side elevational view being a mirror image thereof; FIG. 16 is an isometric view of a fourth embodiment of the upright free-standing shelf unit embodying our design; FIG. 17 is a front elevational view thereof, the rear elevational view being substantially identical thereto; FIG. 18 is a top view thereof; FIG. 19 is a bottom view thereof; and, FIG. 20 is a right-side elevational view thereof, the left-side elevational view being a mirror image thereof.

1 Claim, 7 Drawing Sheets



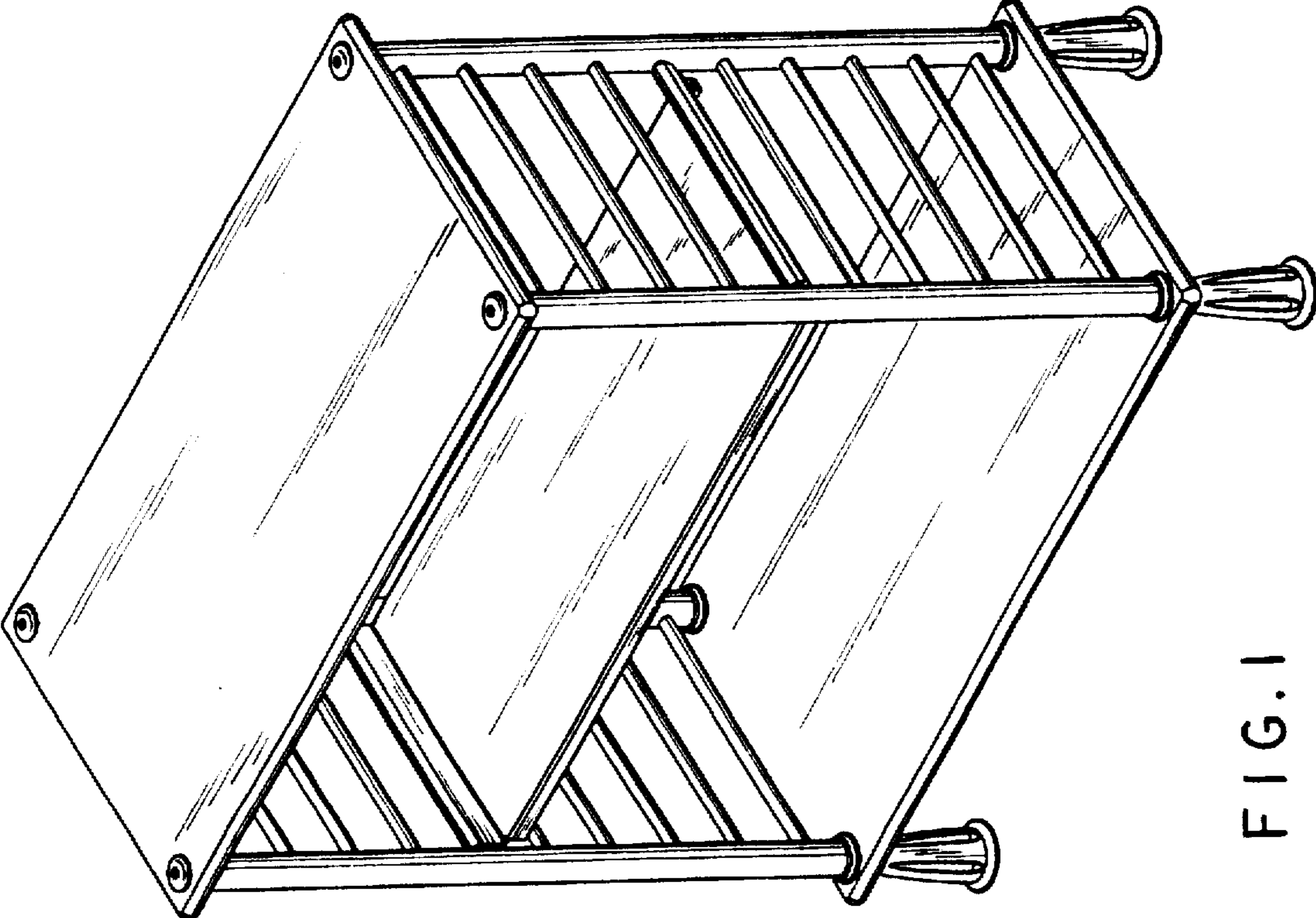


FIG. 1

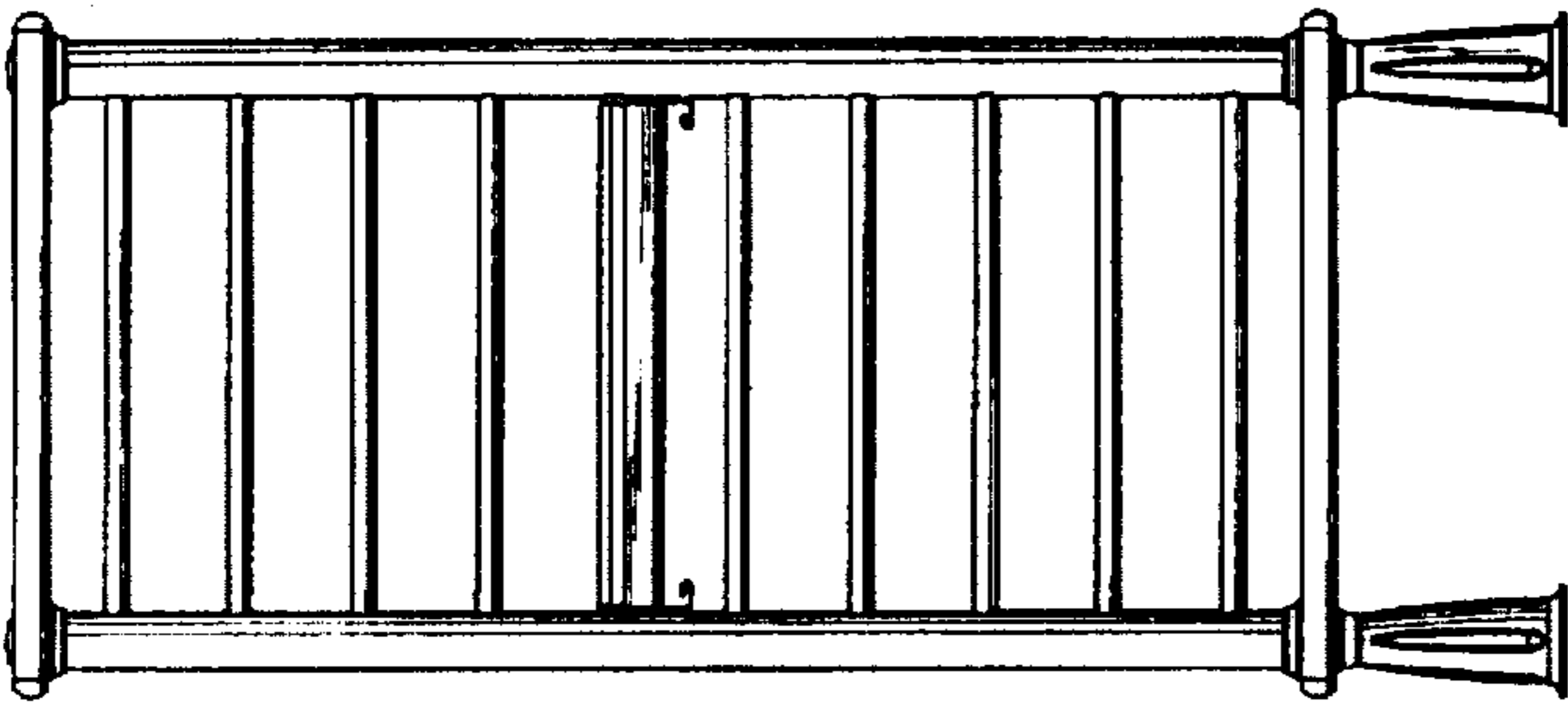


FIG. 5

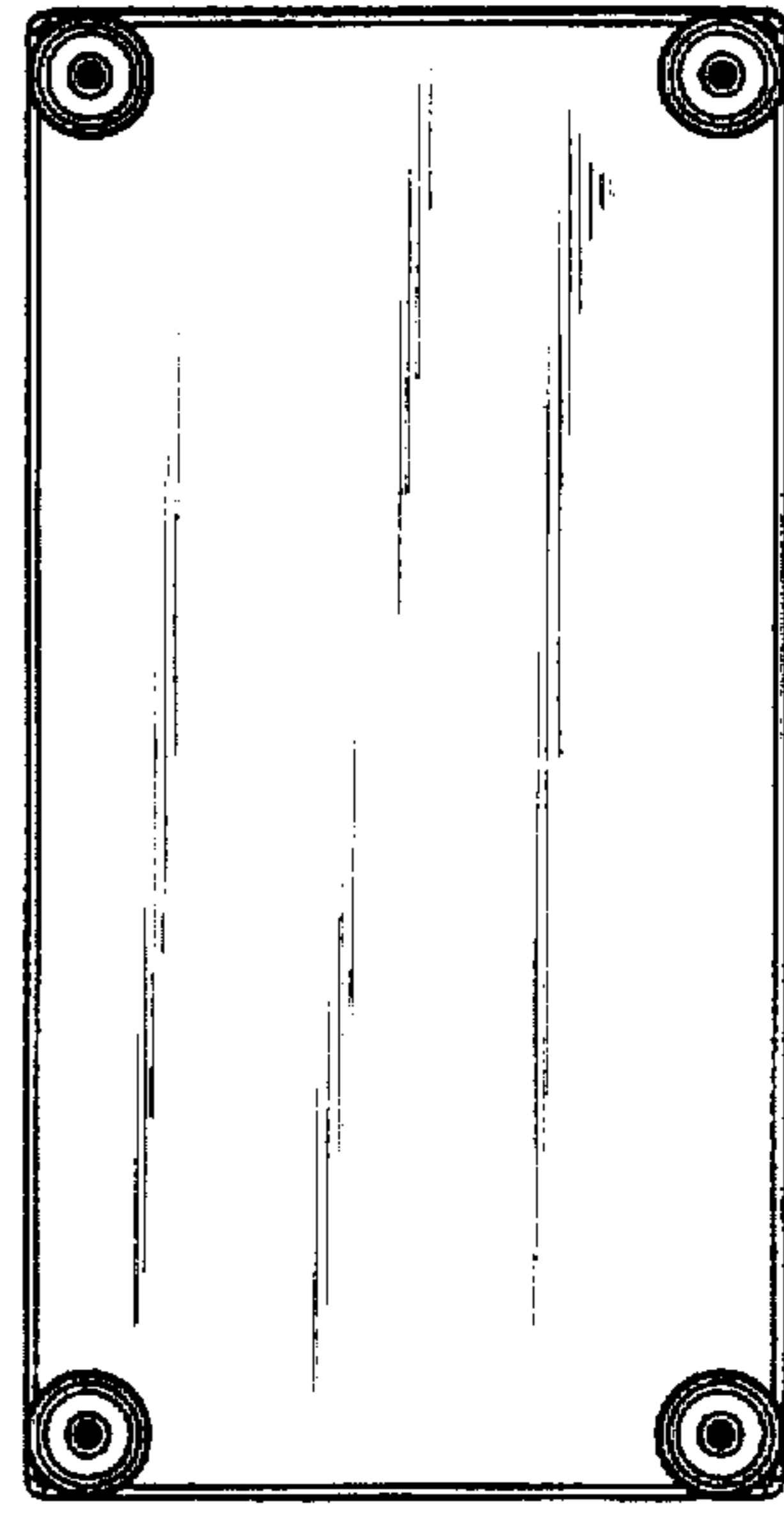


FIG. 4

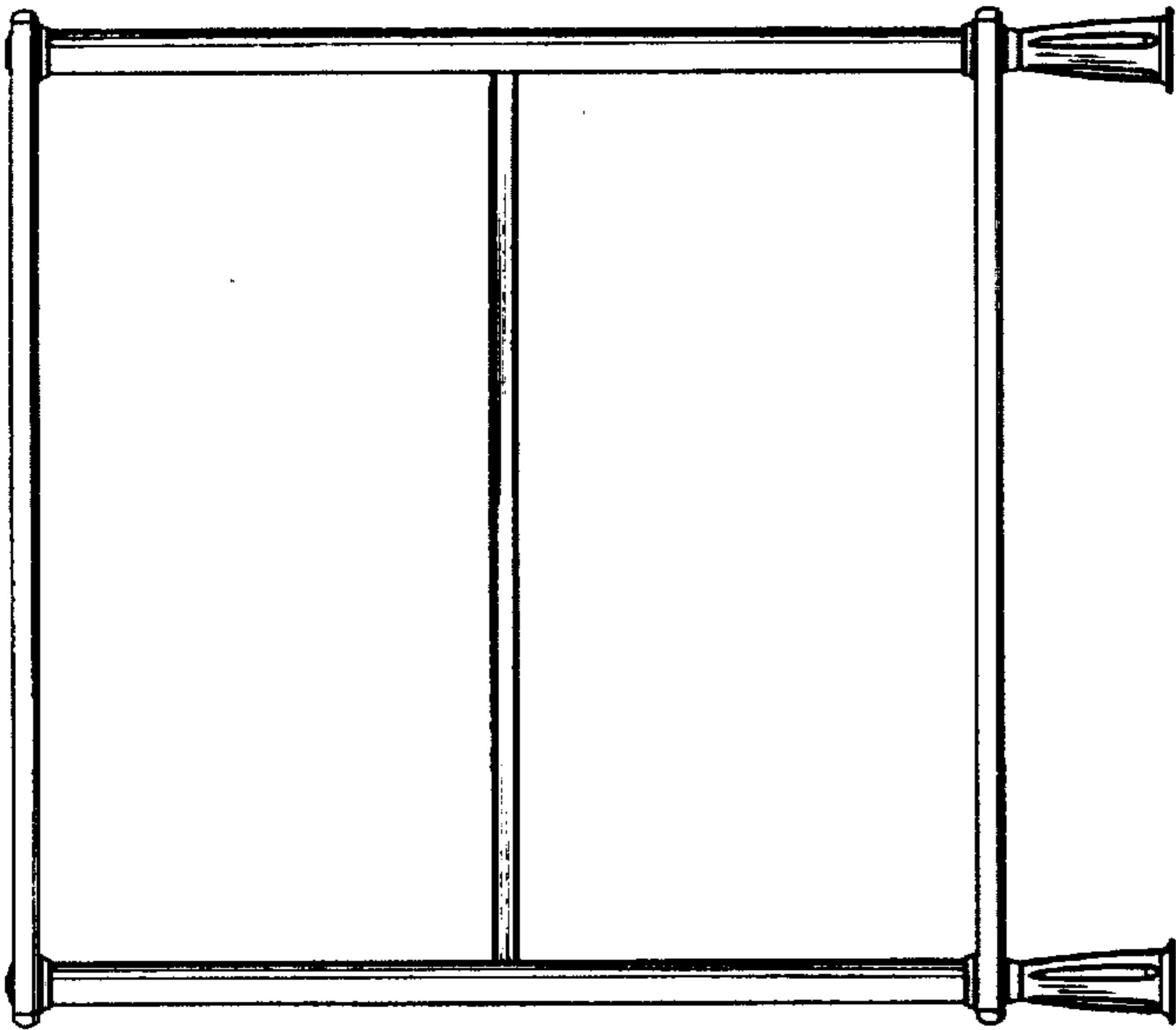


FIG. 2

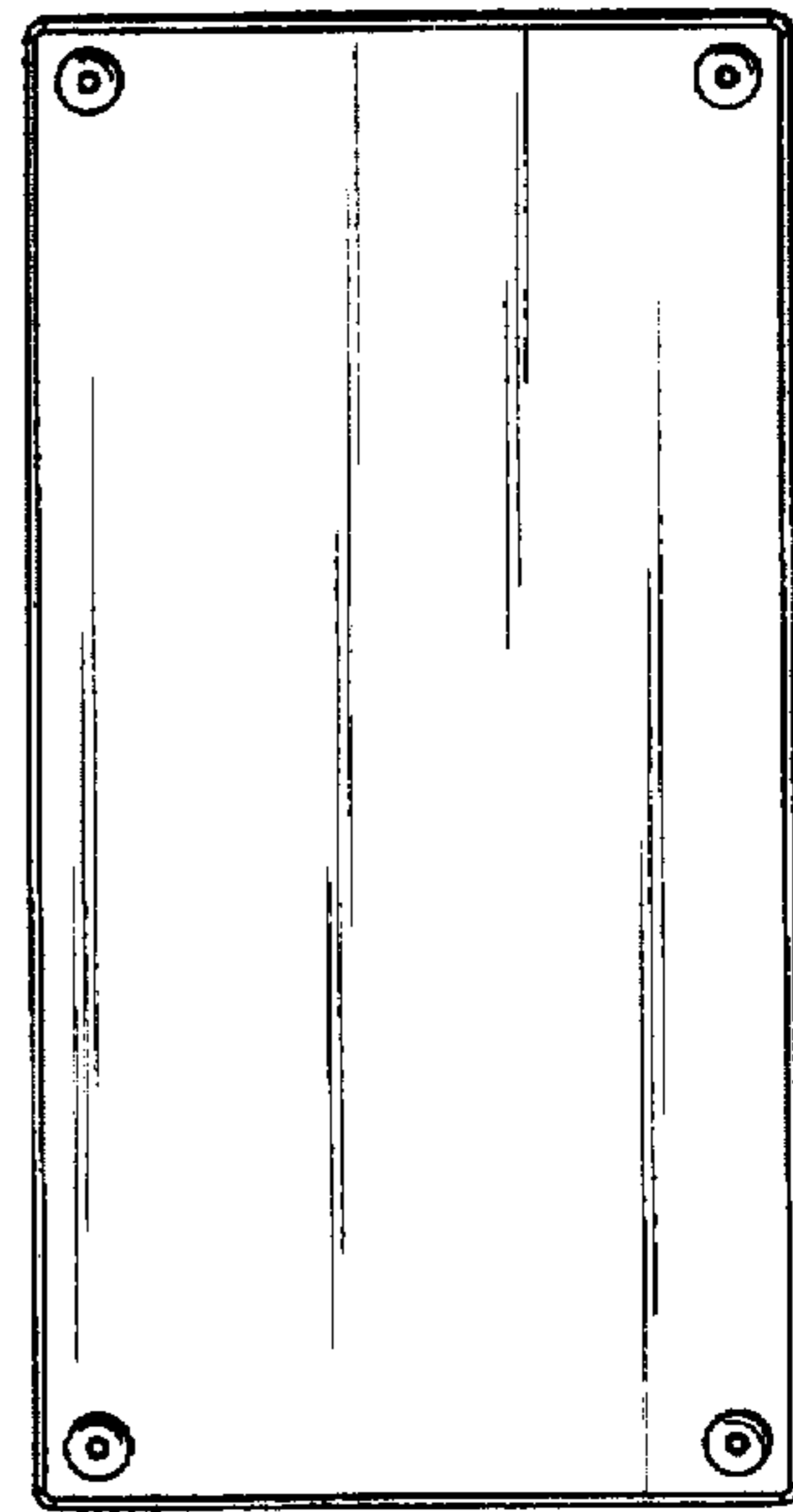


FIG. 3

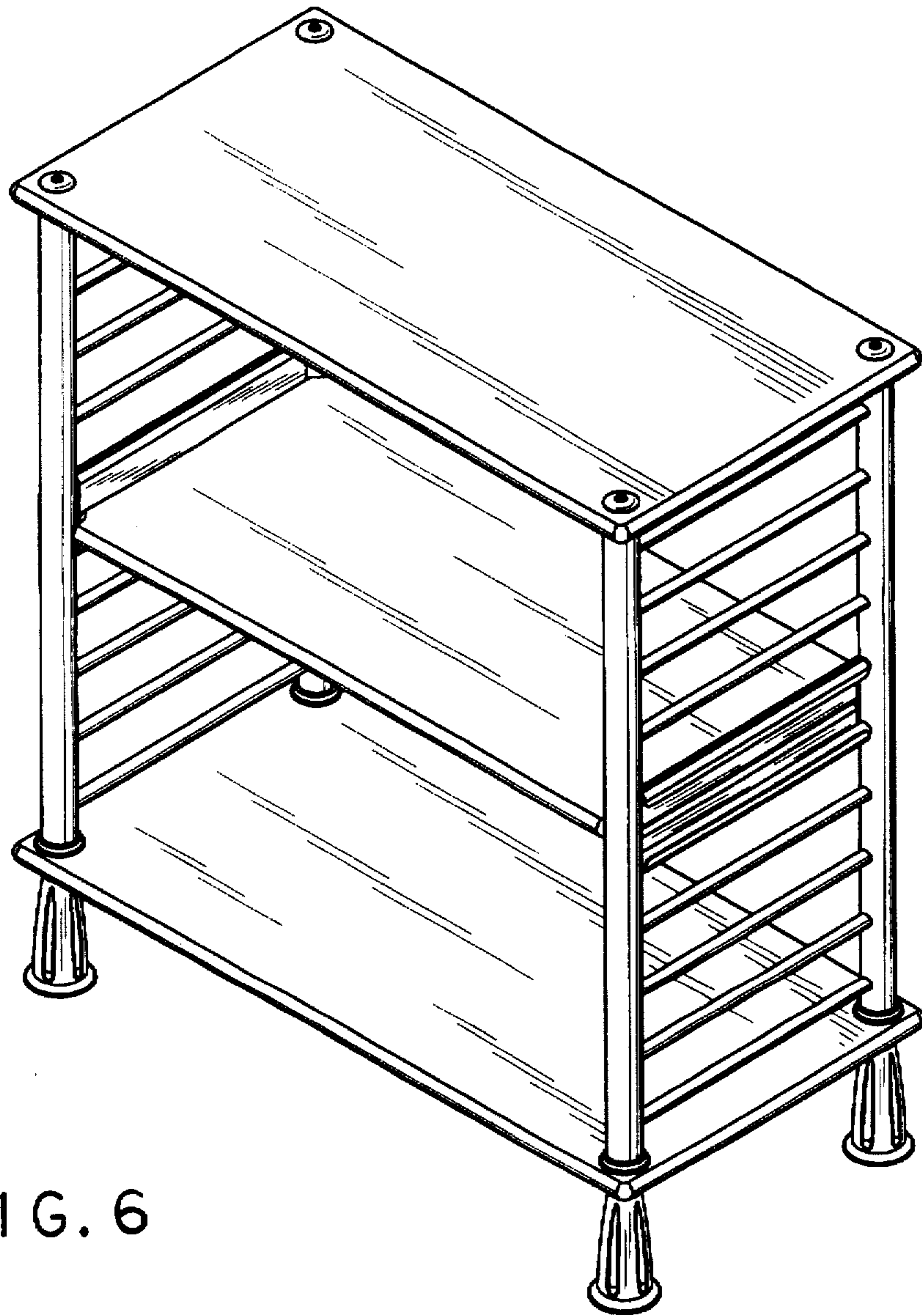


FIG. 6

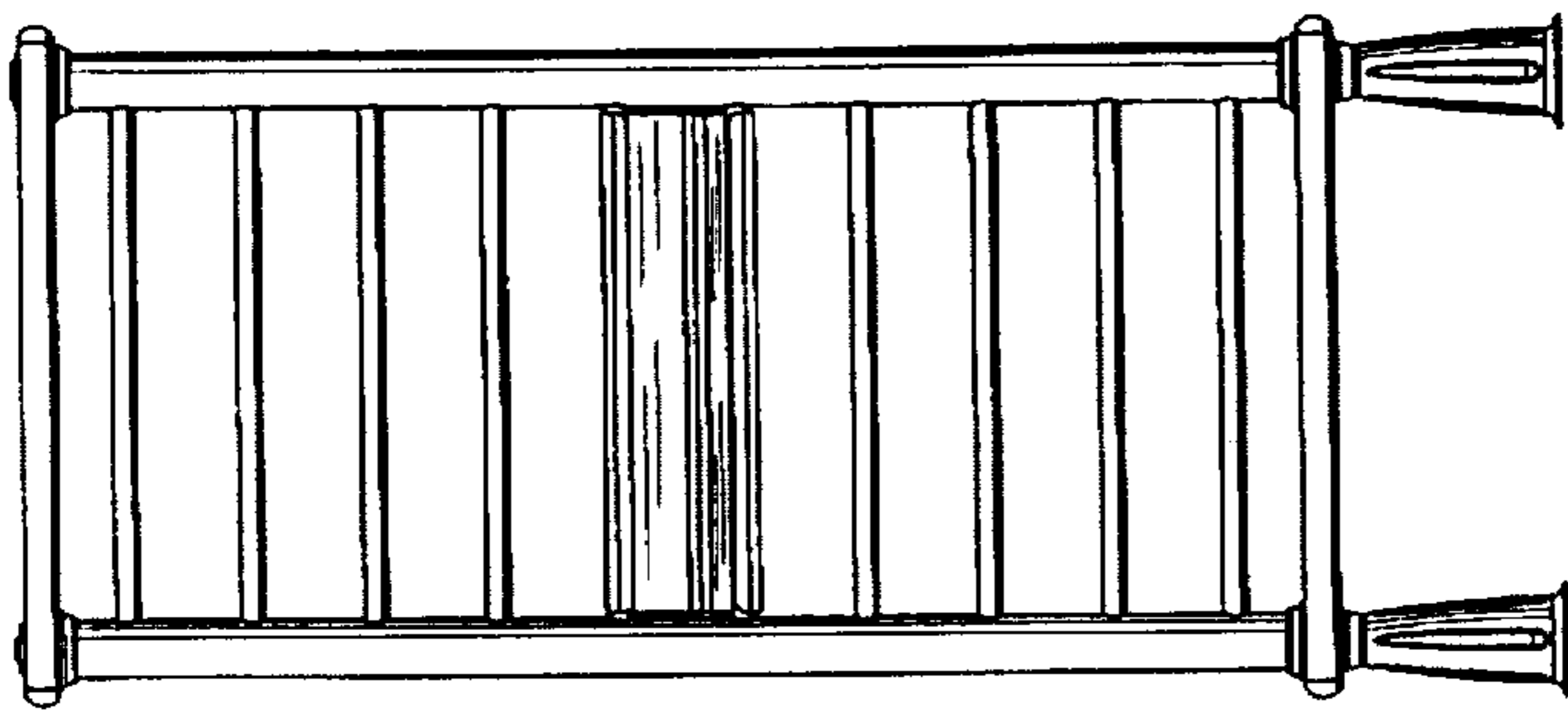


FIG. 10

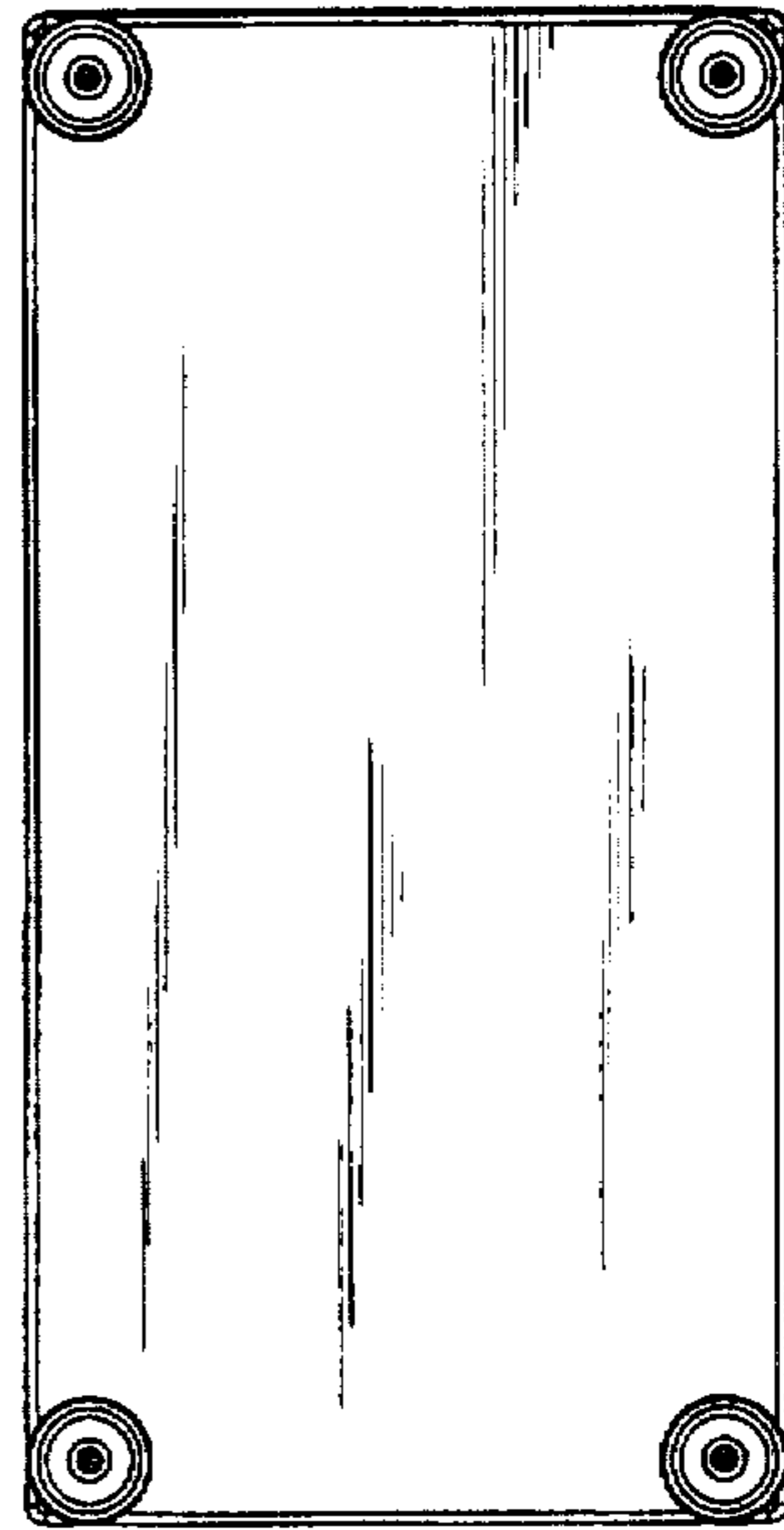


FIG. 9

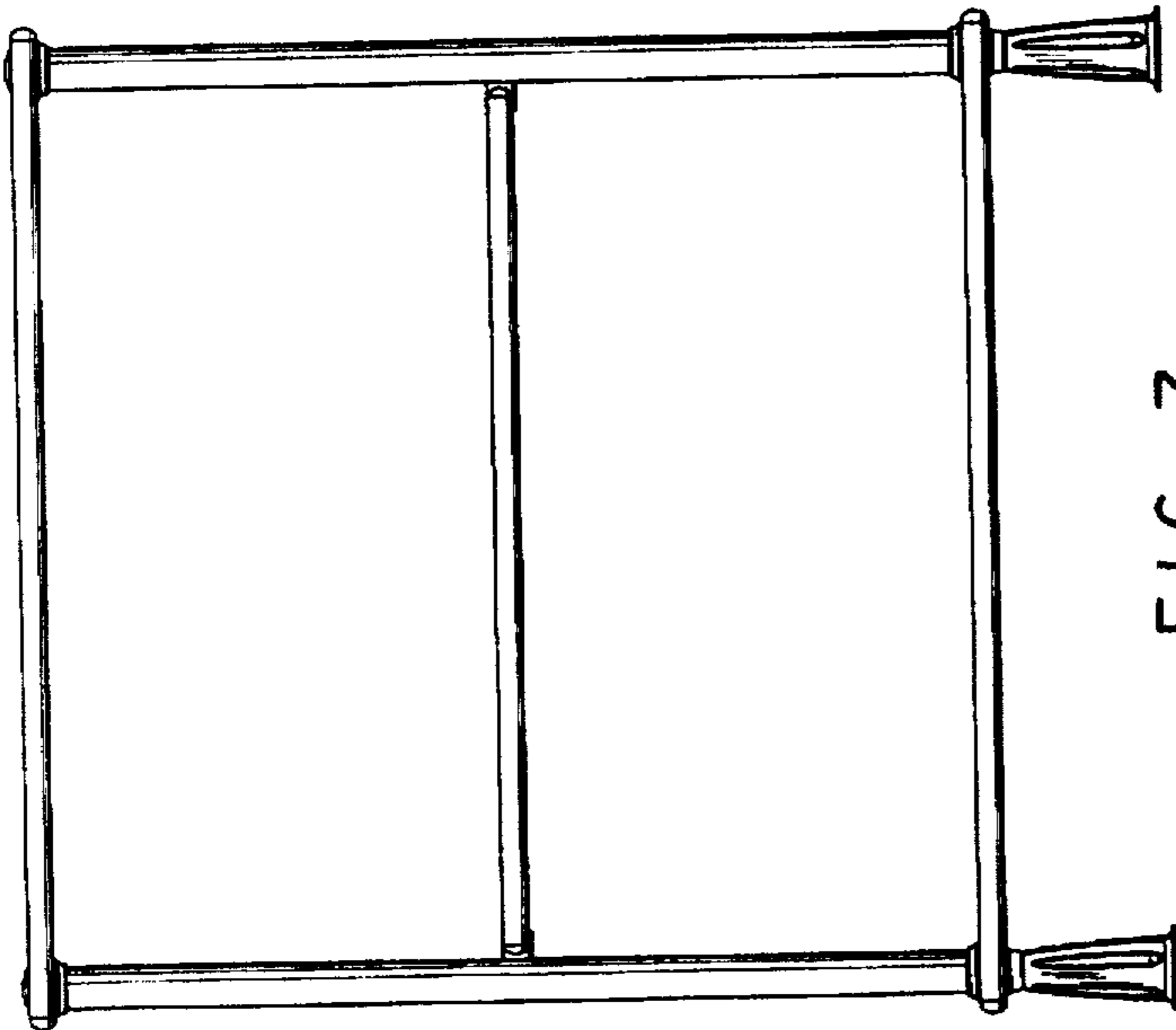


FIG. 7

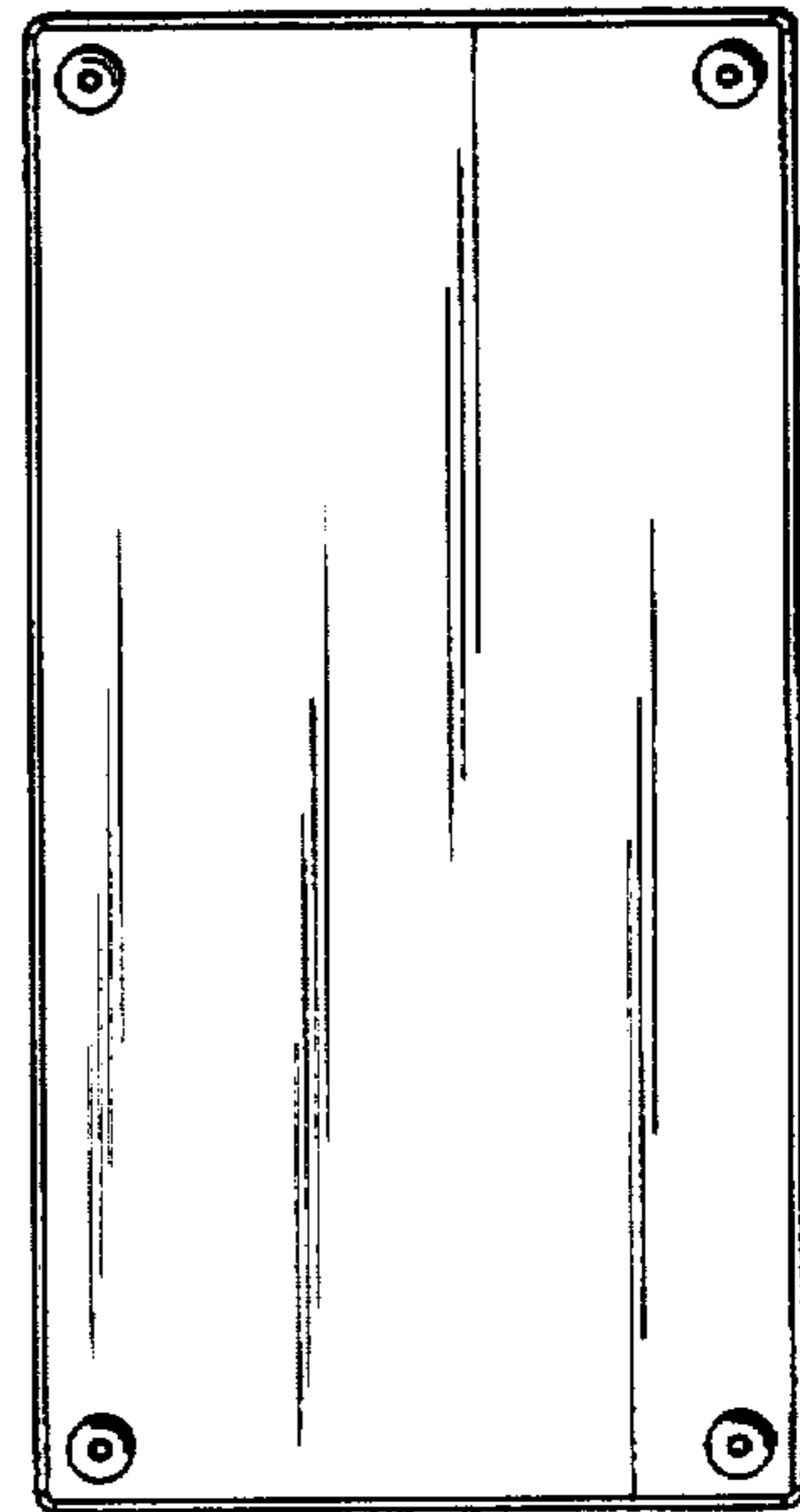


FIG. 8

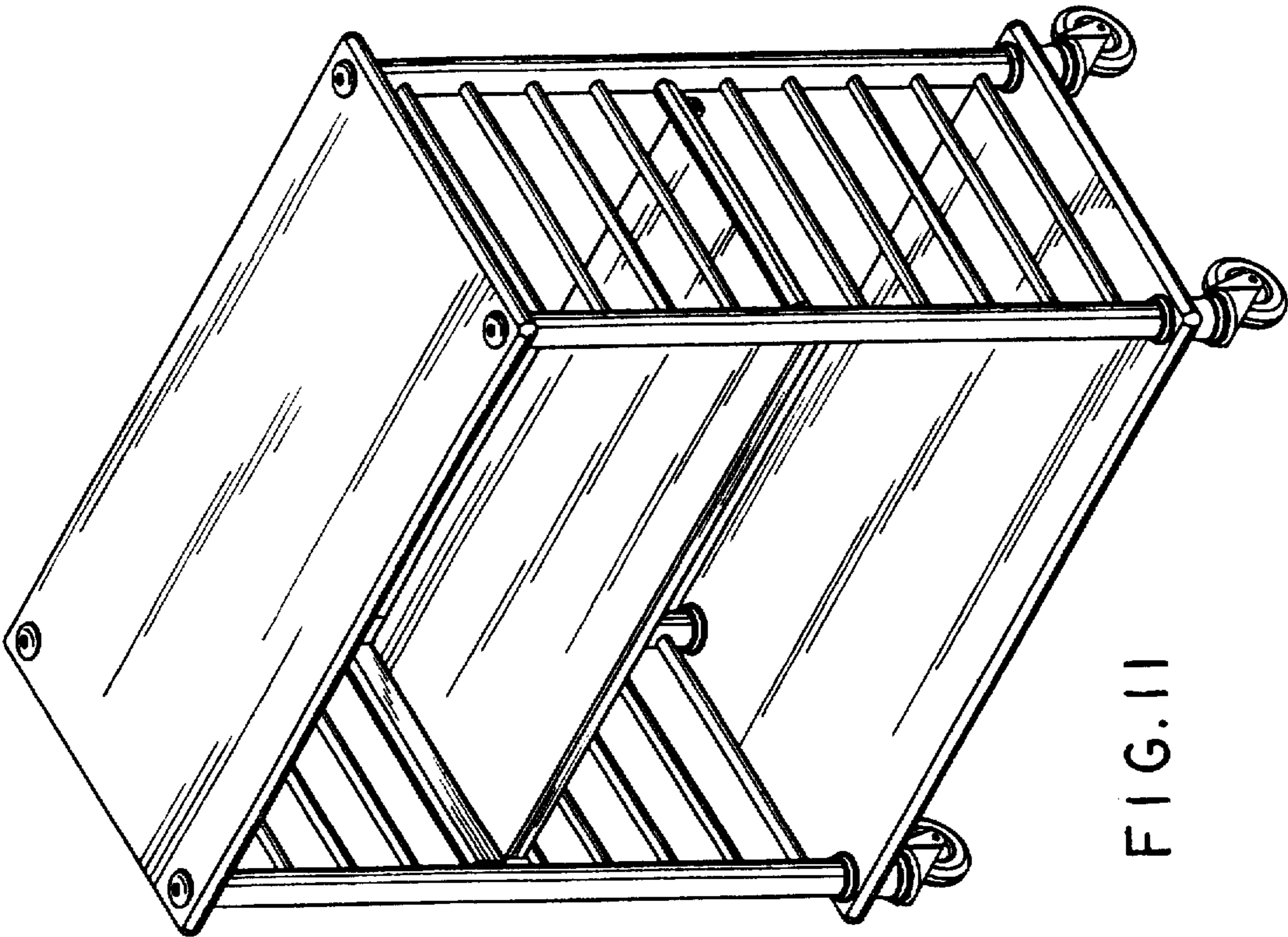


FIG. 11

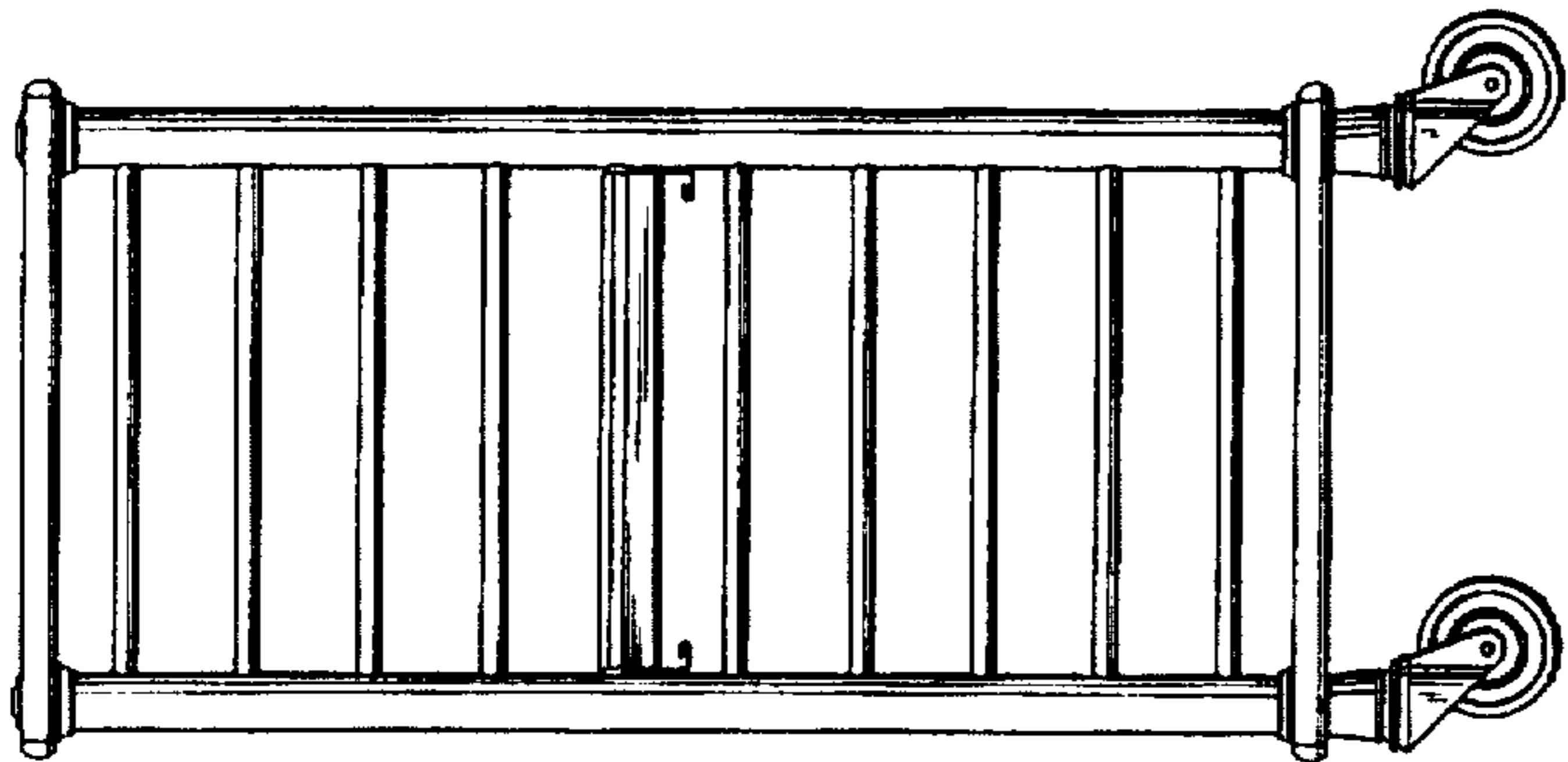


FIG. 15

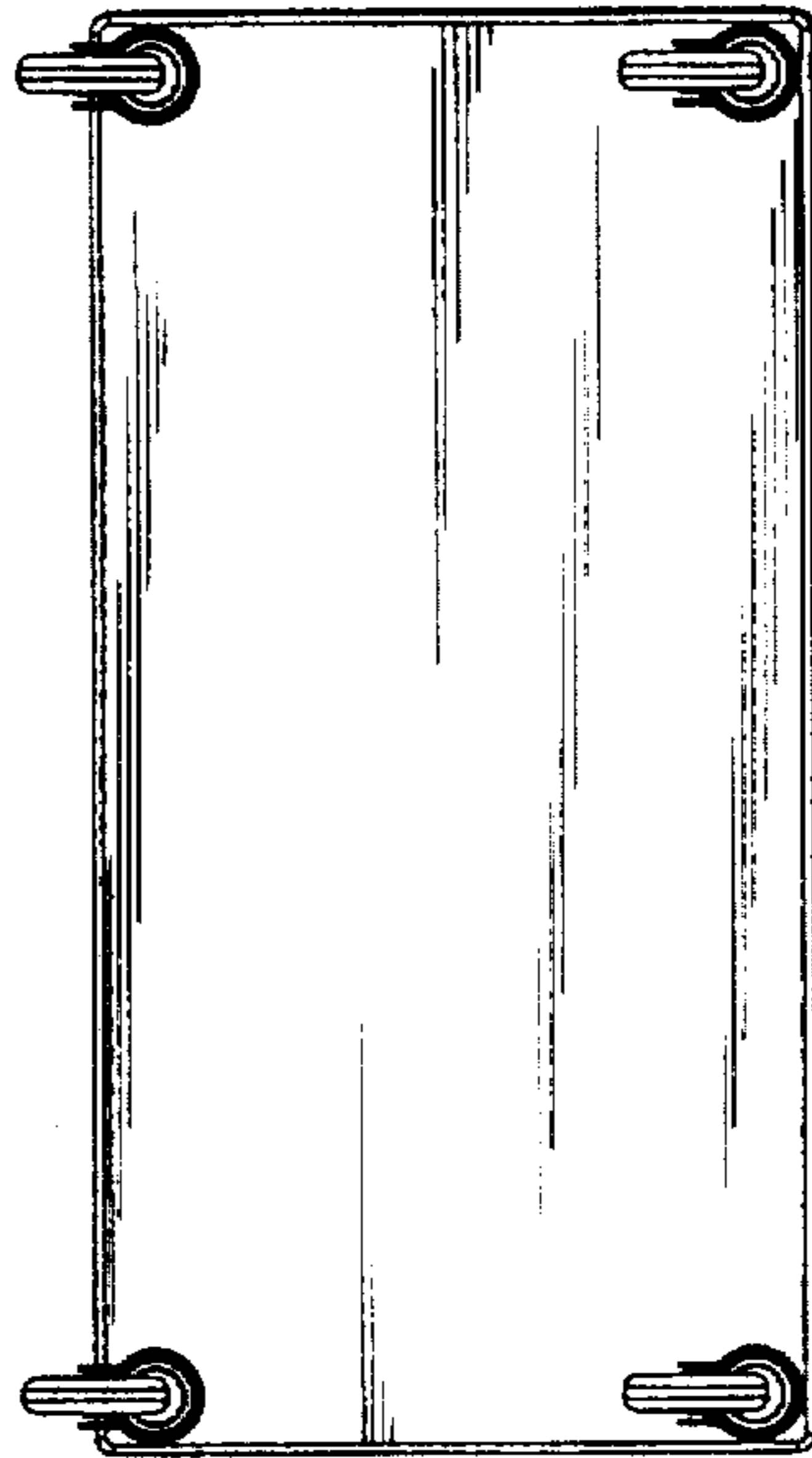


FIG. 14

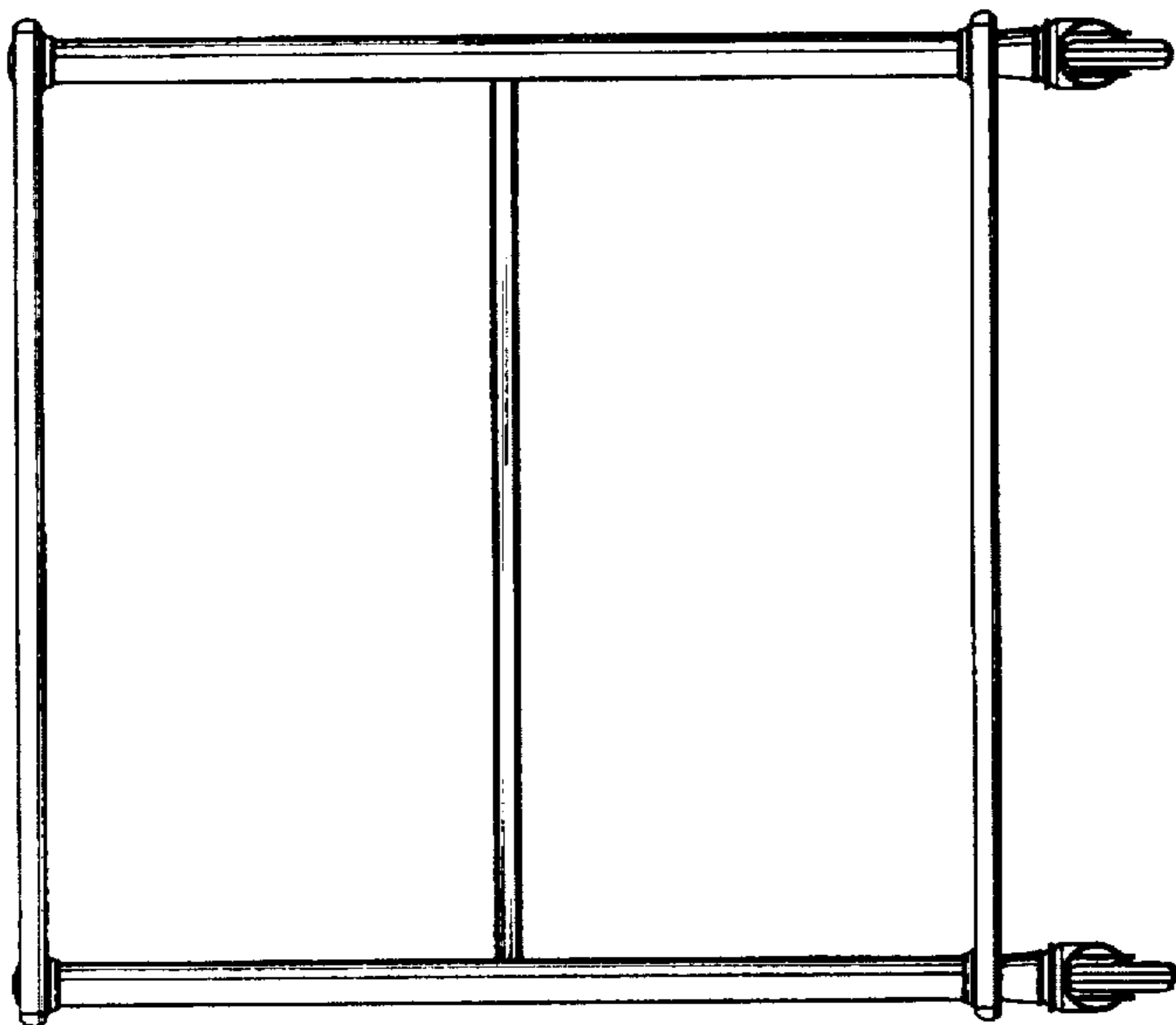


FIG. 12

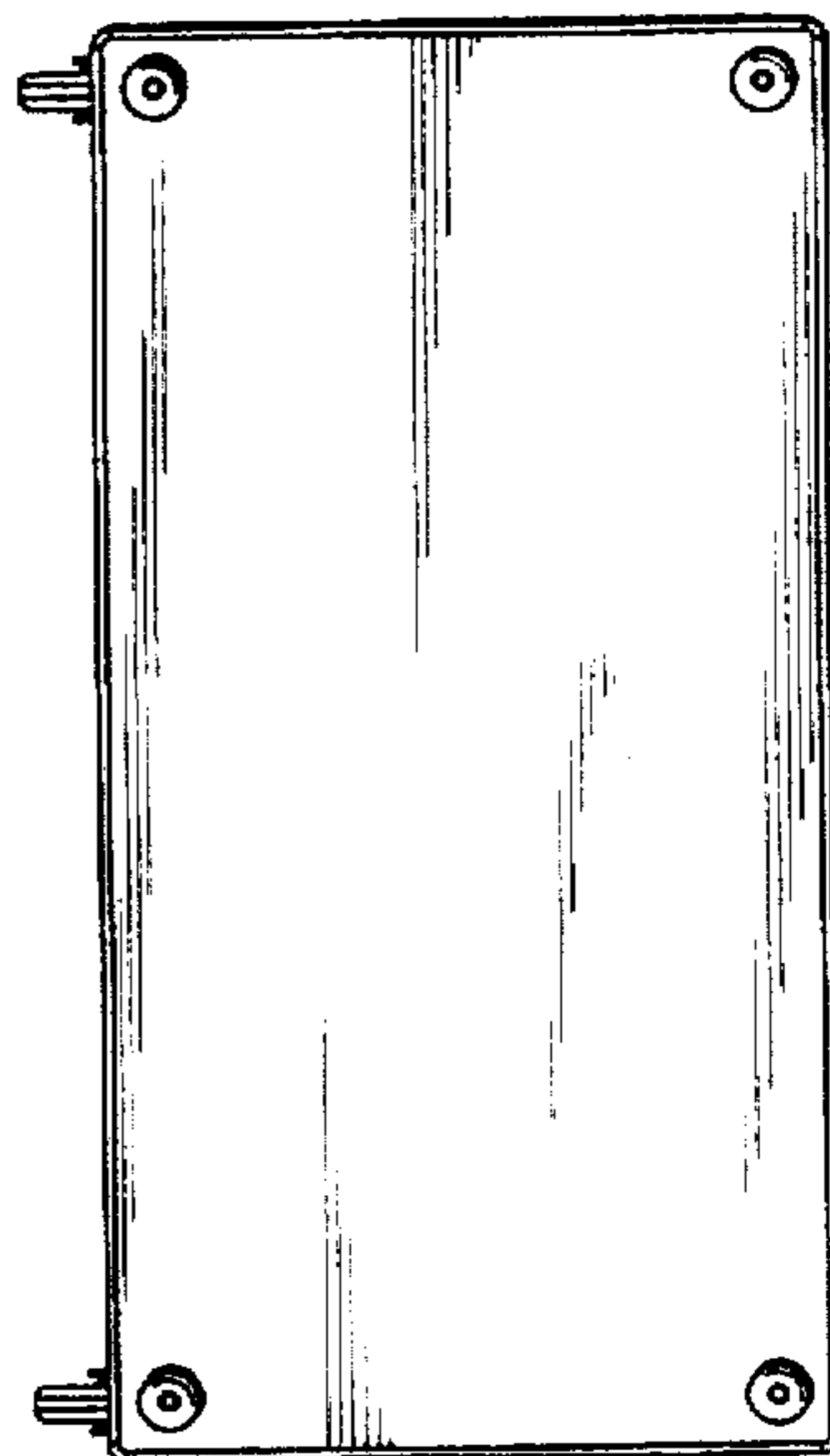


FIG. 13

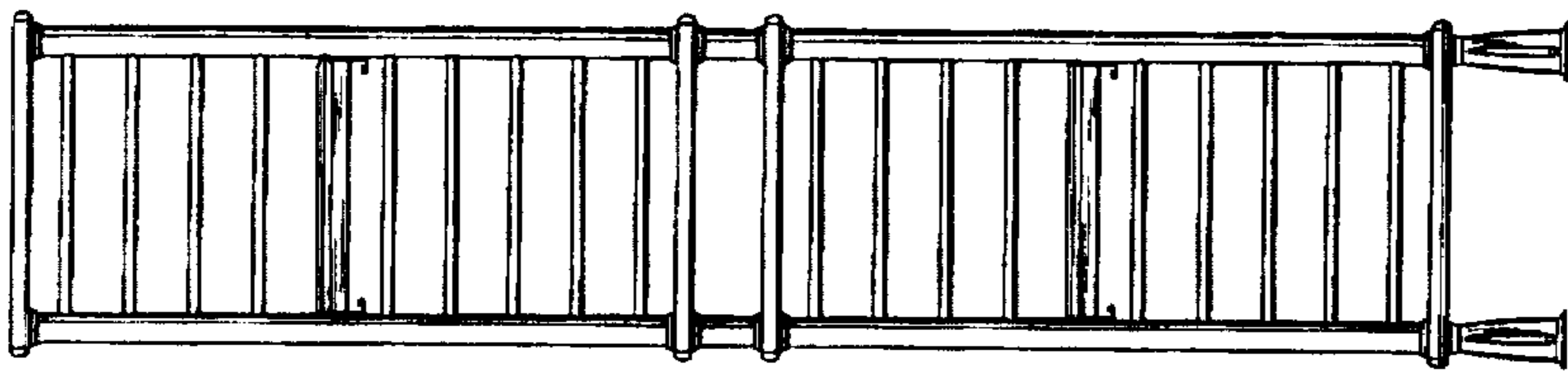


FIG. 20

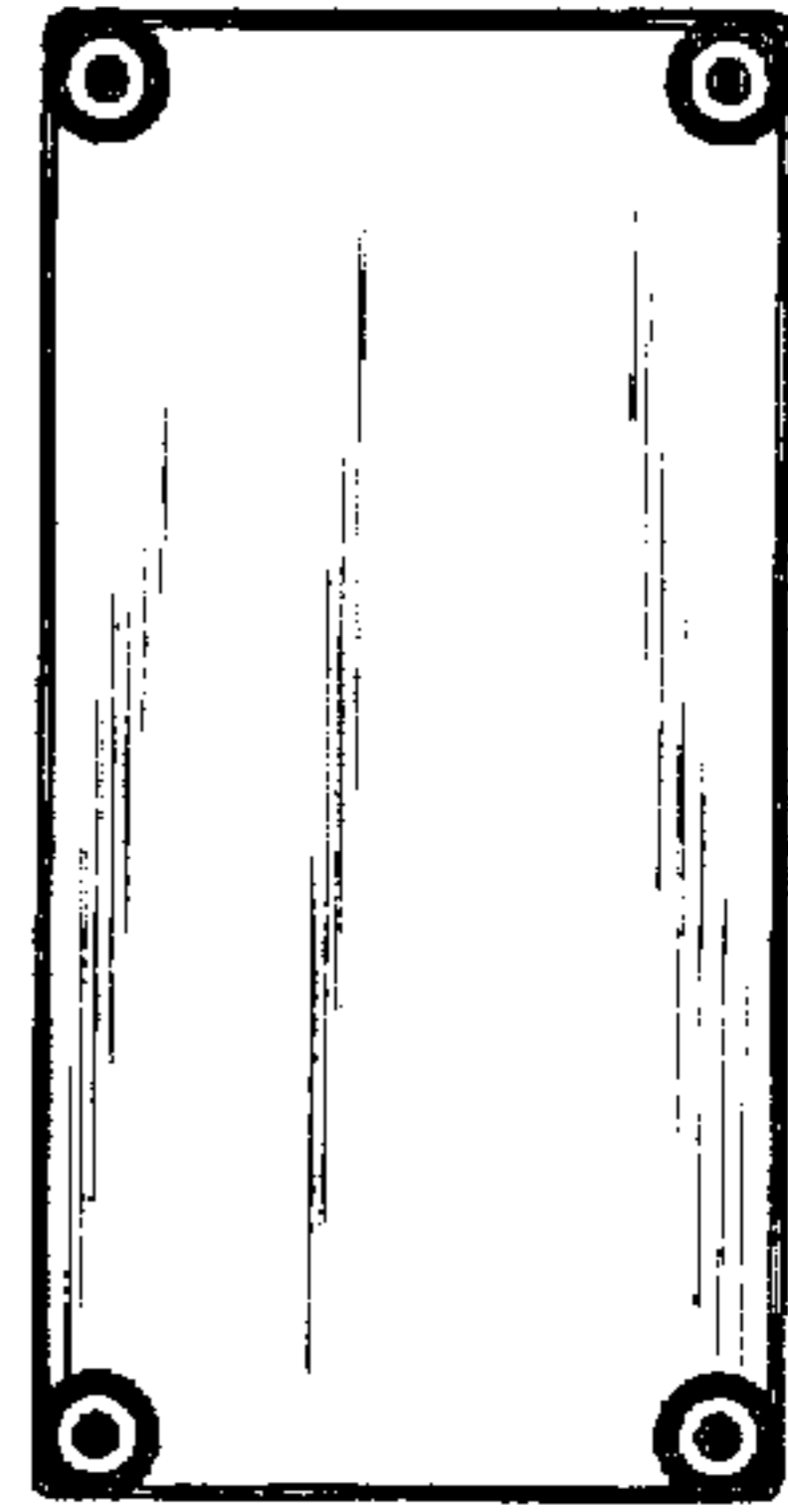


FIG. 19

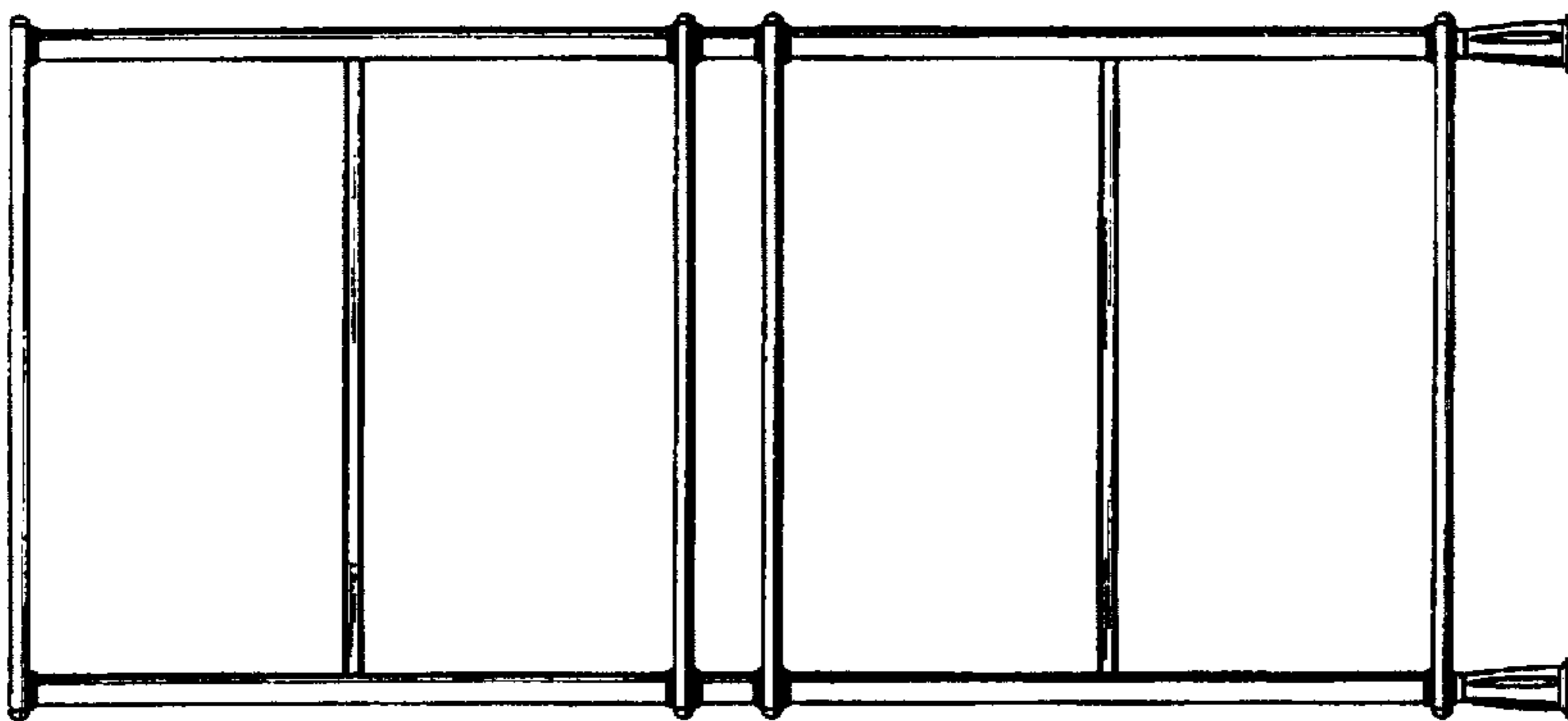


FIG. 17

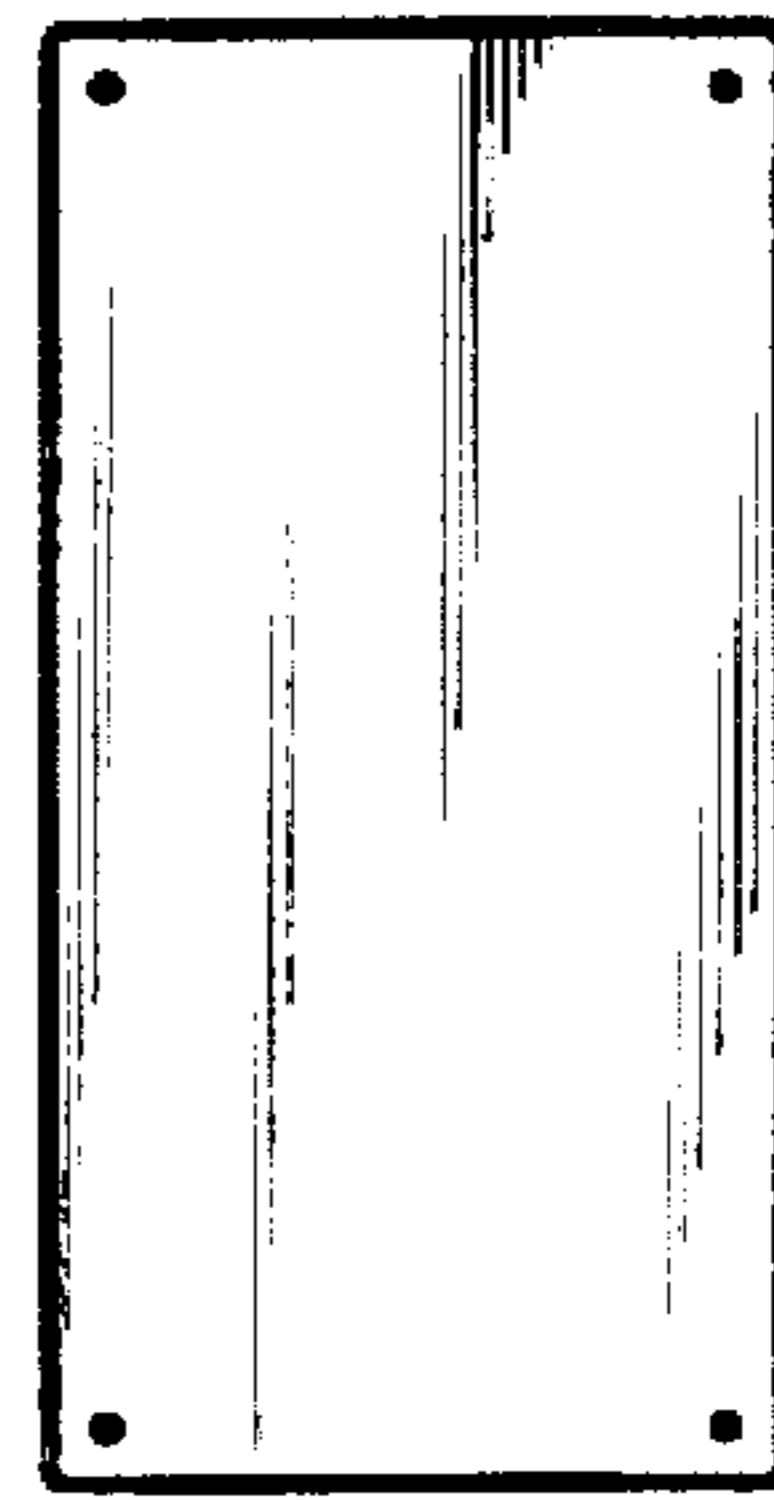


FIG. 18

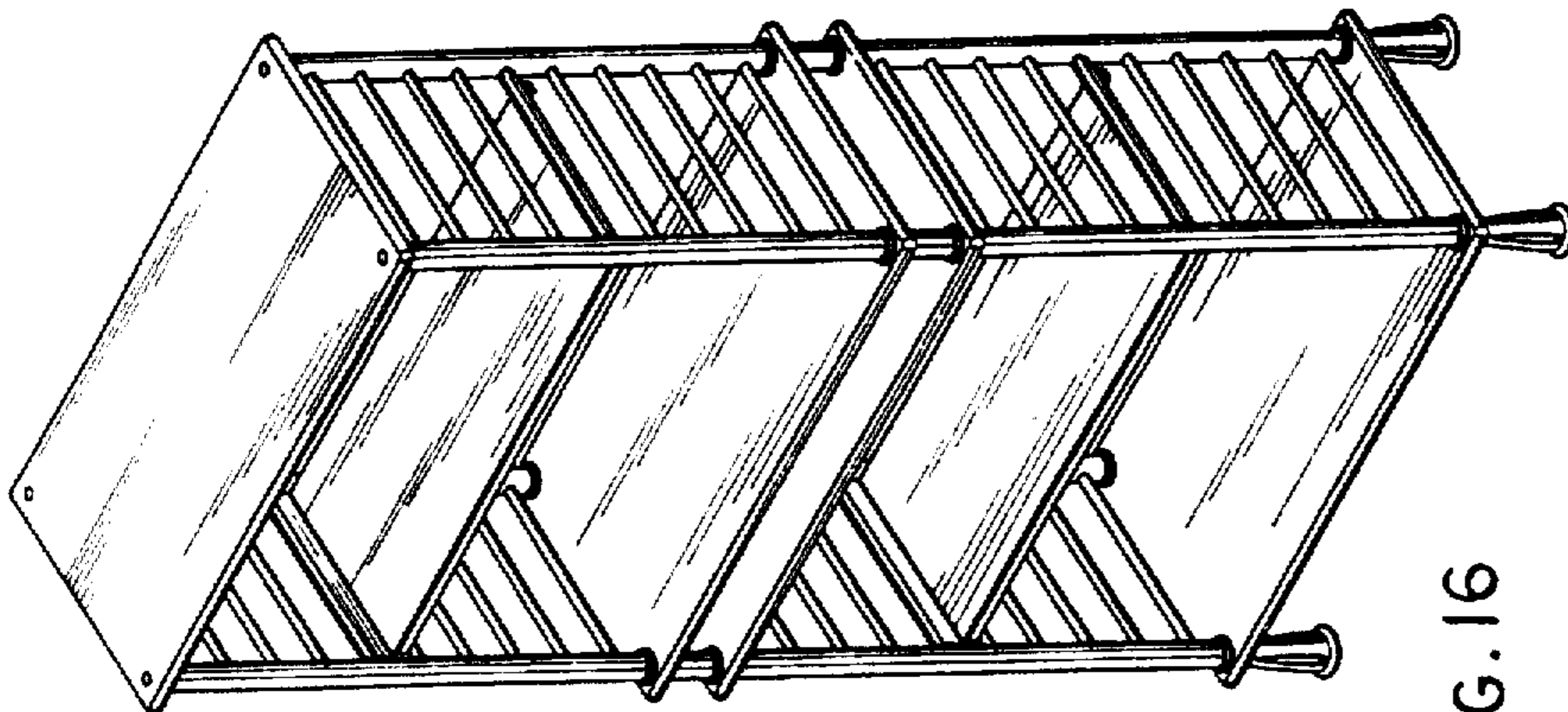


FIG. 16