



US00D393556S

United States Patent [19]
Jordan

[11] **Patent Number: Des. 393,556**
[45] **Date of Patent: **Apr. 21, 1998**

[54] **SOAP DISH**

[76] **Inventor: Gary L. Jordan**, Feathers Creek Rd., Belmont, N.Y. 14813

[**] **Term: 14 Years**

[21] **Appl. No.: 52,725**

[22] **Filed: Apr. 9, 1996**

Related U.S. Application Data

[62] Division of Ser. No. 38,608, May 9, 1995, Pat. No. Des. 371,709.

[51] **LOC (6) Cl. 08-08**

[52] **U.S. Cl. D6/540; D6/574**

[58] **Field of Search D6/536-540, 574; 206/77.1; 211/13, 86-89, 90, 126, 134**

[56] **References Cited**

U.S. PATENT DOCUMENTS

- D. 303,891 10/1989 Lee .
- D. 306,810 3/1990 Michaud .
- D. 308,612 6/1990 Cuevas D6/523
- D. 329,560 9/1992 Levien D6/540

- D. 343,085 1/1994 Bell .
- D. 355,230 2/1995 Jauregui D6/540
- D. 360,789 8/1995 Keeney D6/523
- 2,522,109 9/1950 Foltis .
- 5,115,935 5/1992 Lemongelli .
- 5,295,607 3/1994 Chang .
- 5,353,950 10/1994 Taylor et al. .

OTHER PUBLICATIONS

Faith Mountain Company Catalogue p. 21. Shelf.

Primary Examiner—Brian N. Vinson

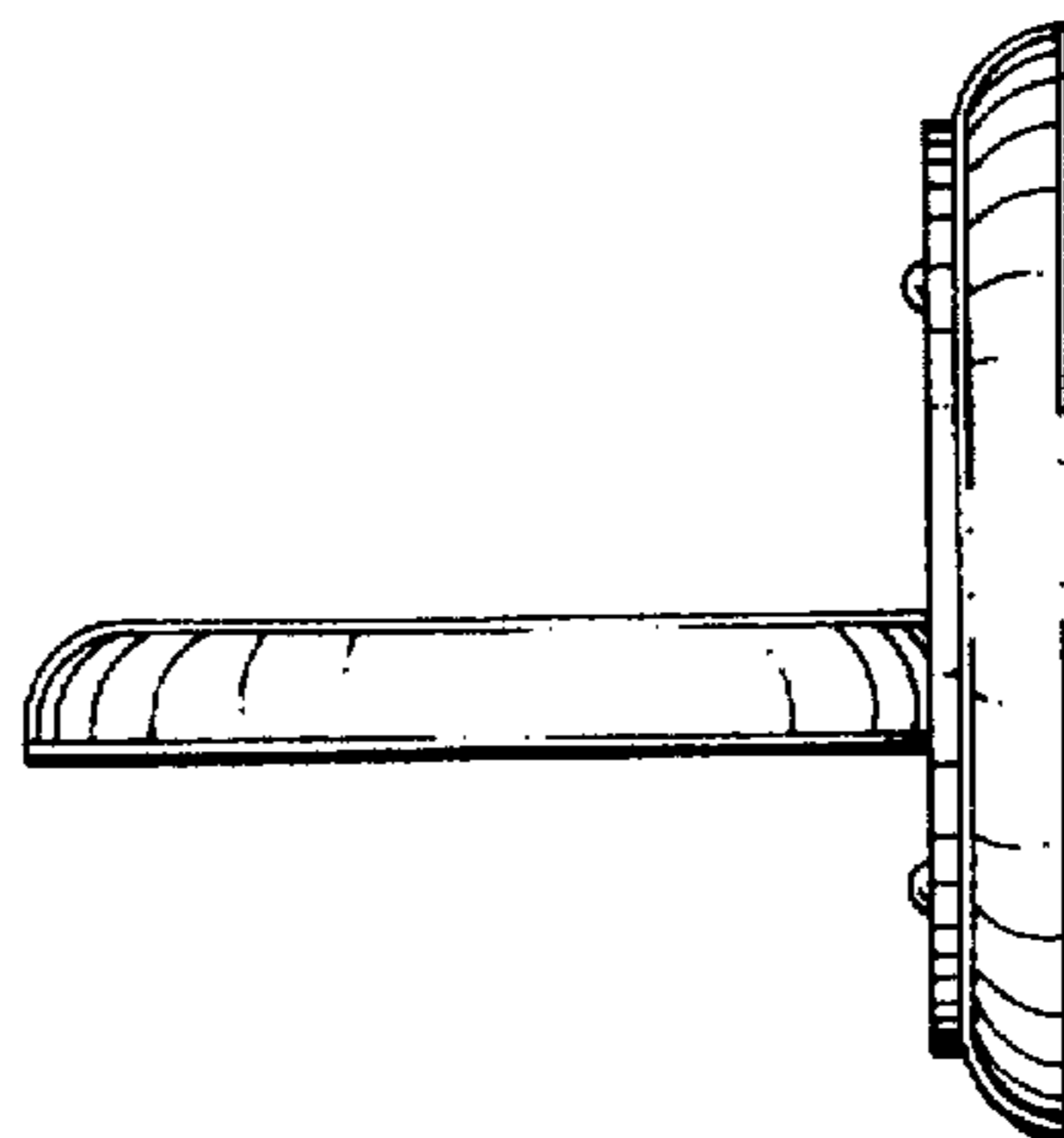
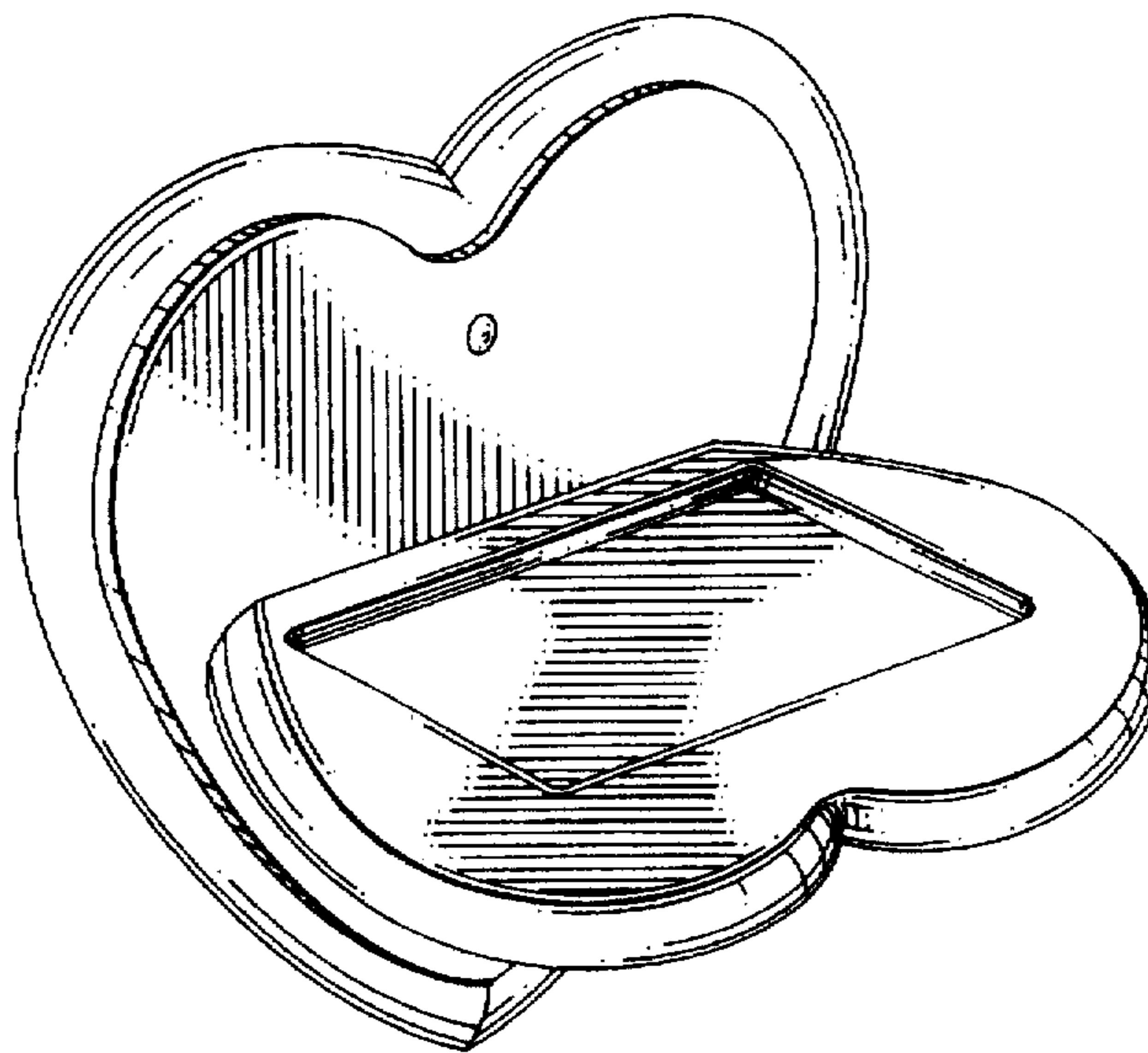
[57] **CLAIM**

The ornamental design for a soap dish, as shown and described.

DESCRIPTION

FIG. 1 is a top, front, and left side perspective view of a soap dish showing my new design;
 FIG. 2 is a right side elevational view thereof;
 FIG. 3 is a front elevational view thereof;
 FIG. 4 is a rear elevational view thereof;
 FIG. 5 is a top plan view thereof; and,
 FIG. 6 is a bottom plan view thereof.

1 Claim, 1 Drawing Sheet



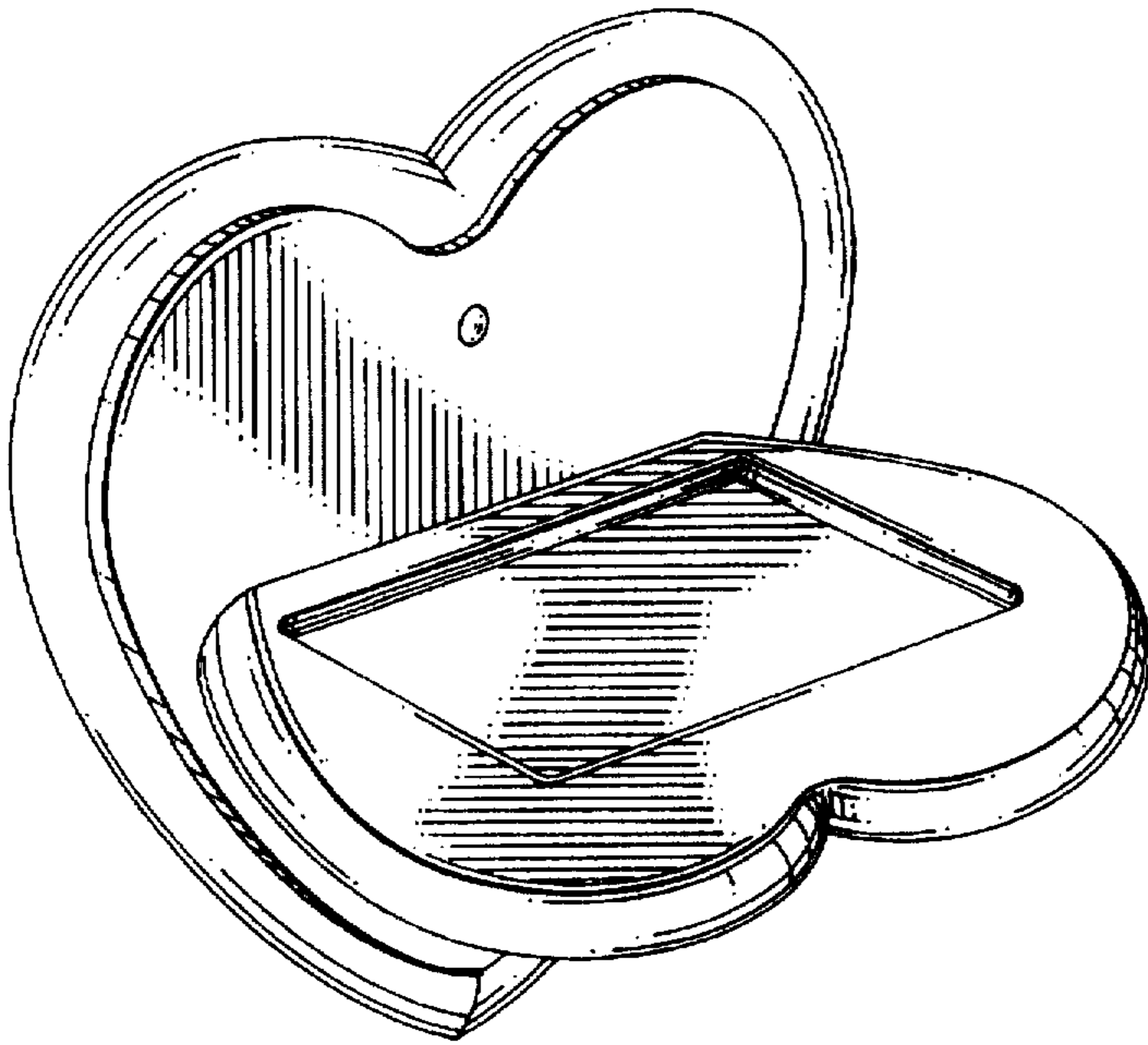


FIG. 1

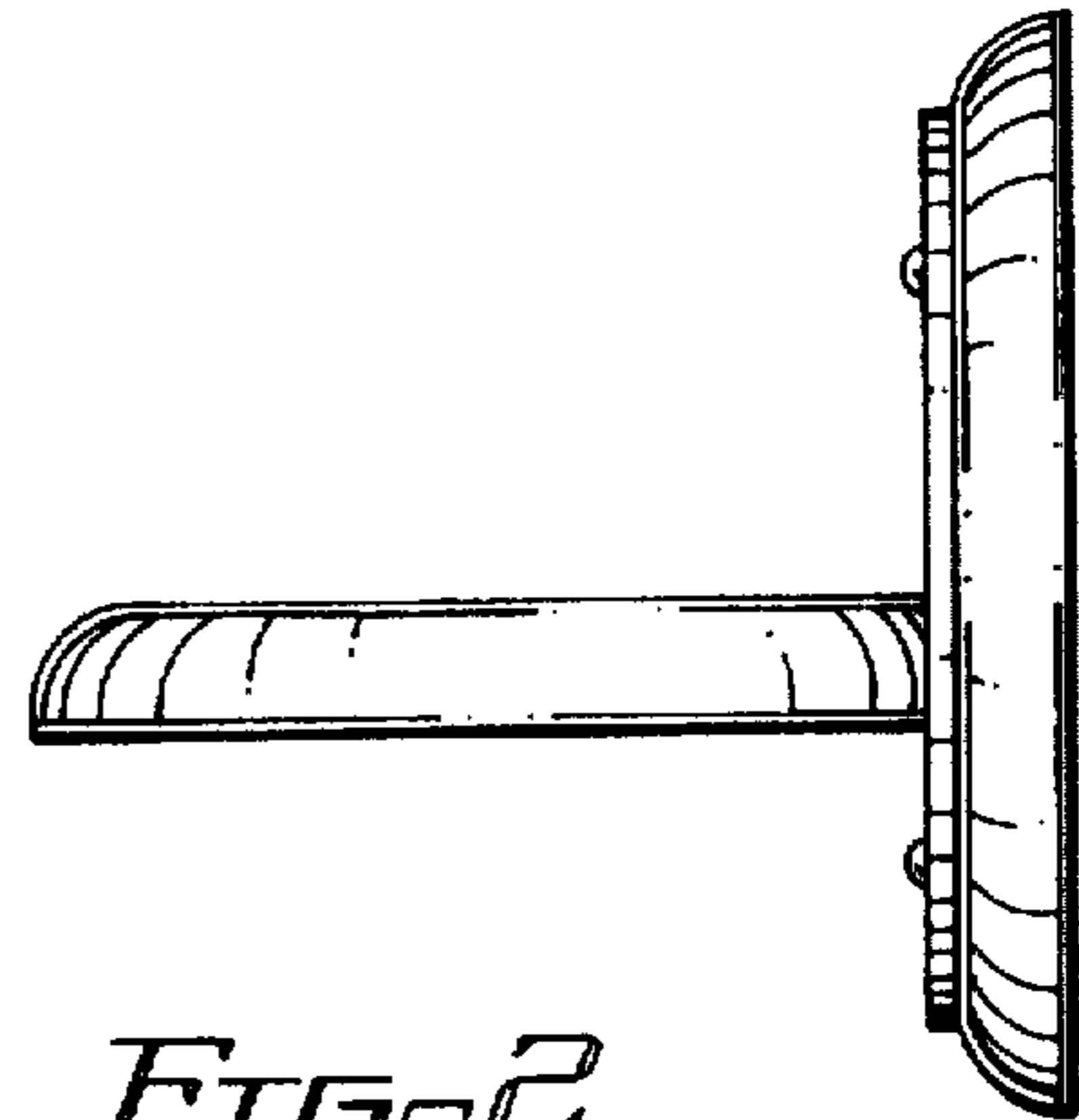


FIG. 2

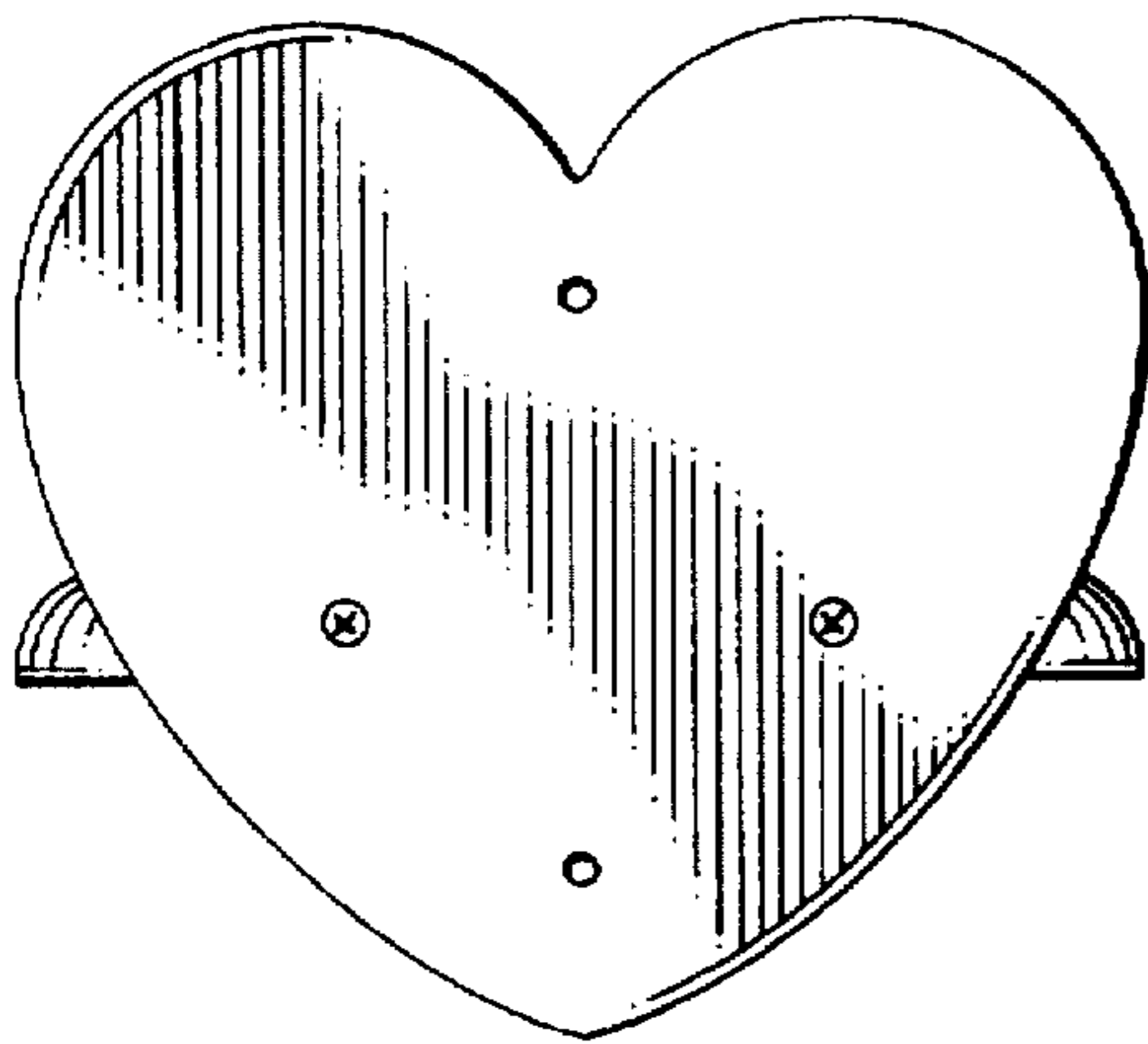


FIG. 4

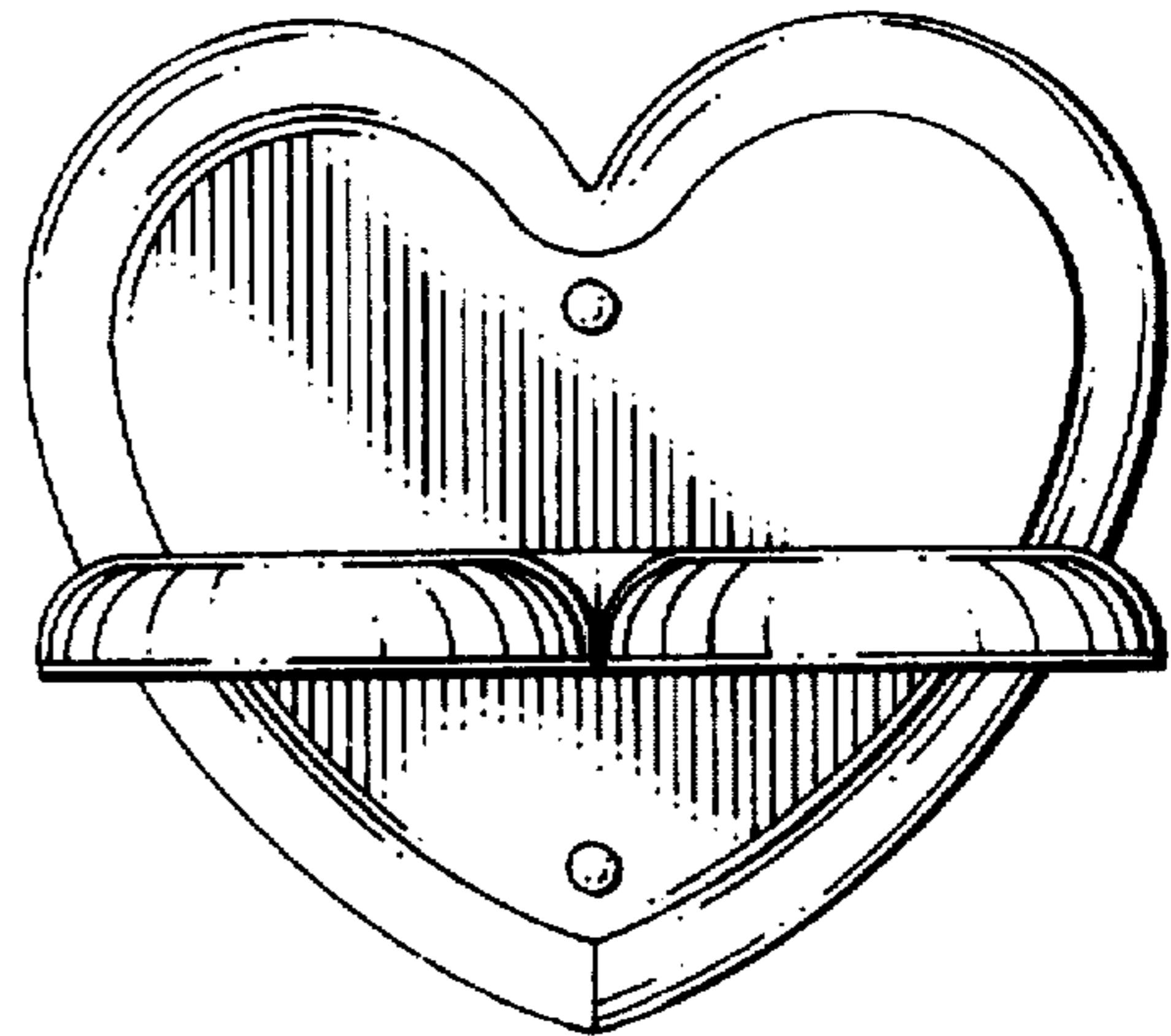


FIG. 3

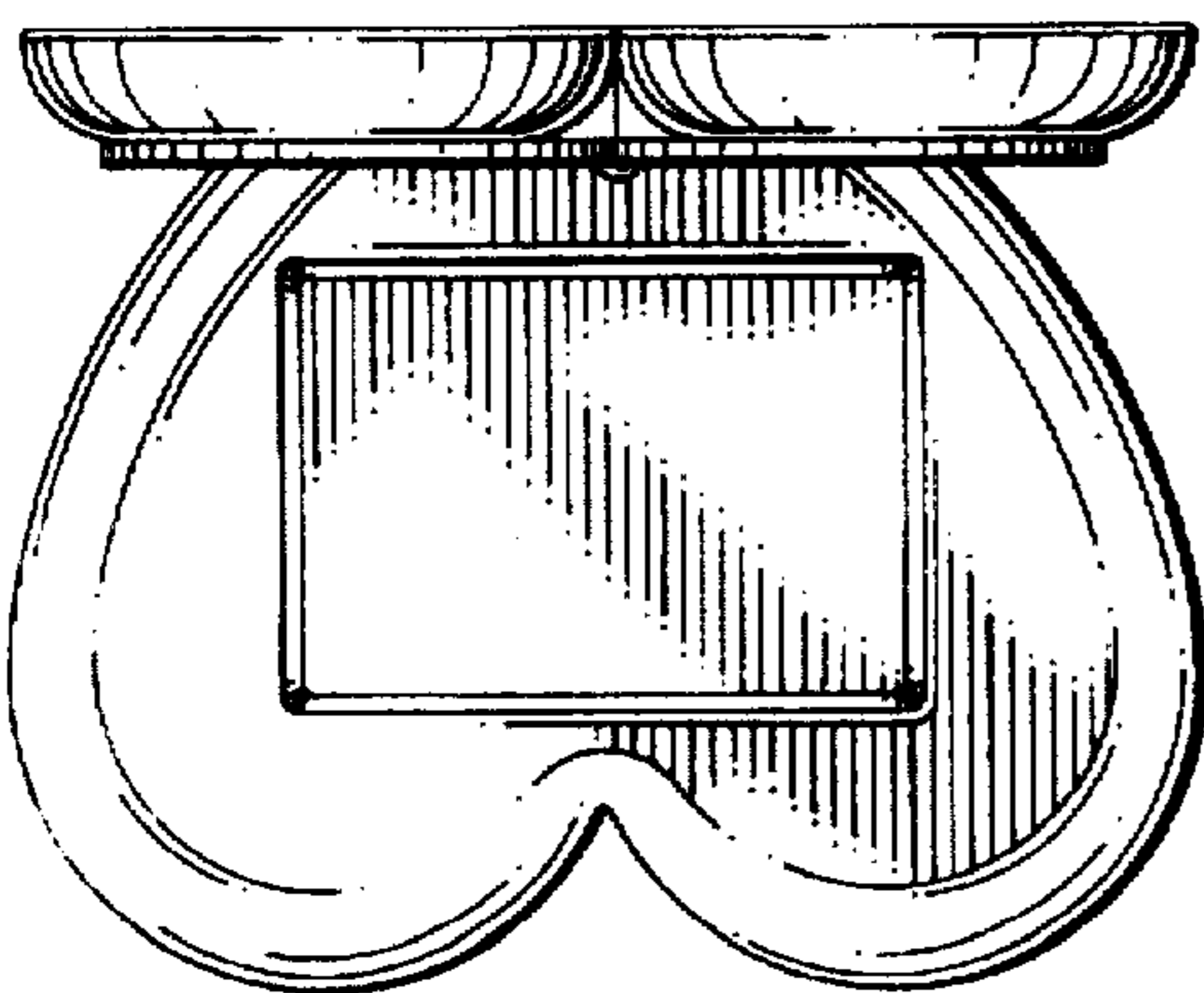


FIG. 5

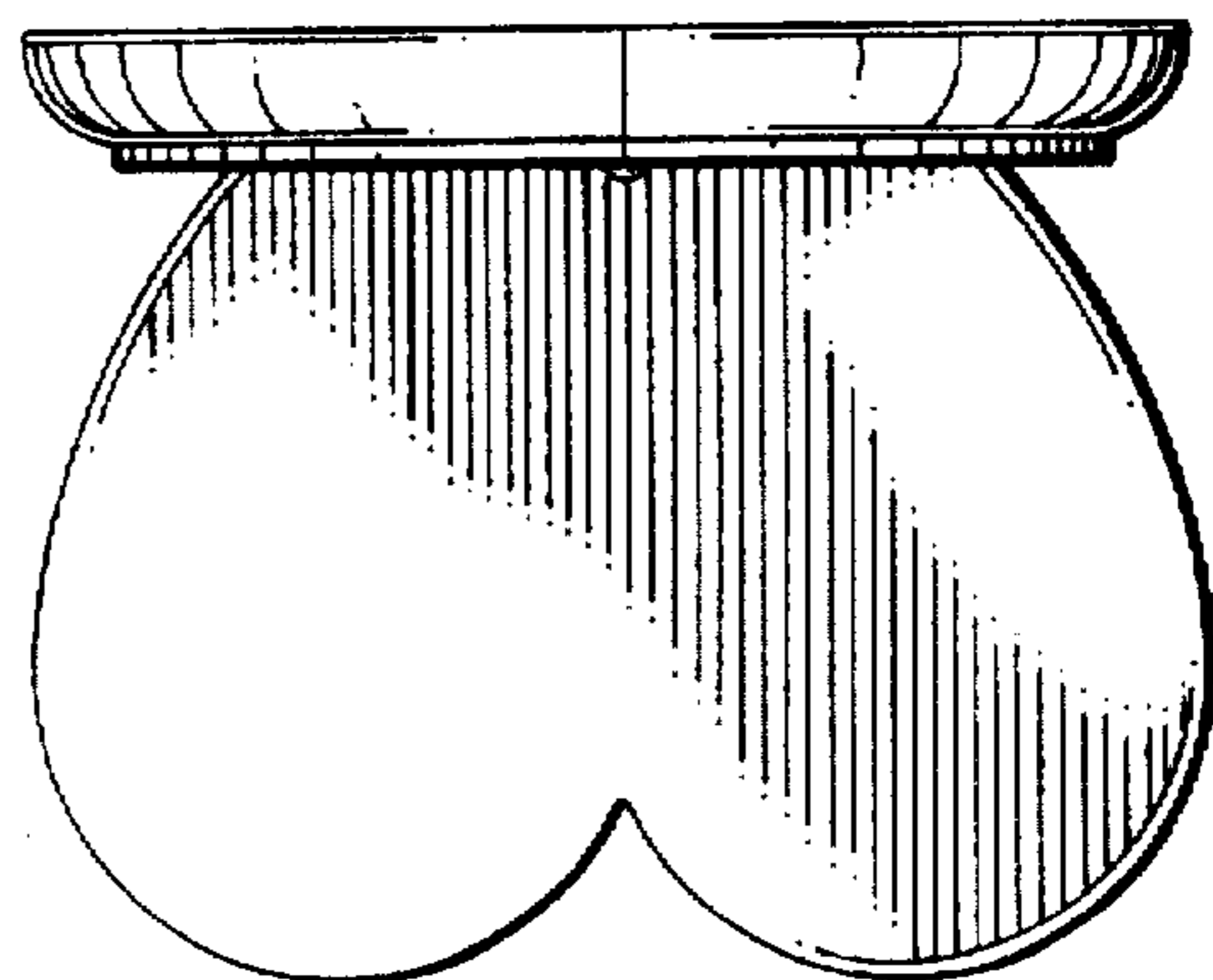


FIG. 6