



US00D393553S

United States Patent [19]

Beggs

[11] Patent Number: **Des. 393,553**

[45] Date of Patent: ****Apr. 21, 1998**

[54] **MODULAR CRATE FURNITURE**

5,427,394 6/1995 Lauto 280/47.35

[76] Inventor: **Christopher J. Beggs**, 10431 El Rancho Dr., Whittier, Calif. 90606

Primary Examiner—James Gandy
Assistant Examiner—Linda Brooks
Attorney, Agent, or Firm—Christie, Parker & Hale, LLP

[**] Term: **14 Years**

[57] **CLAIM**

[21] Appl. No.: **65,509**

The ornamental design for modular crate furniture, as shown and described.

[22] Filed: **Jan. 27, 1997**

DESCRIPTION

[51] **LOC (6) Cl.** **06-04**

[52] **U.S. Cl.** **D6/476; D3/312; D34/12**

[58] **Field of Search** D6/473, 476, 397, D6/478, 479; D3/304, 305, 307, 309, 310-314; D34/42, 21, 17; 211/189, 194, 188, 195, 126, 132; 206/503-513; D9/424, 425, 427, 429, 432; 108/14, 16, 17, 59, 60, 64, 65, 91; 280/47.35, 47.34

FIG. 1 is a perspective view of Modular Carte Furniture showing my new design;
FIG. 2 is an enlarged front elevation view thereof;
FIG. 3 is a right side view of FIG. 2, with the left side view being a mirror image;
FIG. 4 is a back elevation view of FIG. 2;
FIG. 5 is a top plan view of FIG. 2;
FIG. 6 is a perspective view of an alternate embodiment of my new design;
FIG. 7 is an enlarged front elevation view of FIG. 6;
FIG. 8 is a right side view of FIG. 7, with the left side being a mirror image;
FIG. 9 is a back elevation view of FIG. 7; and
FIG. 10 is a top plan view of FIG. 7.

[56] **References Cited**

U.S. PATENT DOCUMENTS

- D. 231,332 4/1974 Stauble D3/312
- D. 234,894 4/1975 Vandenbenck D6/479
- D. 251,947 5/1979 Taniwaki D6/478 X
- D. 284,898 7/1986 Graham D3/312
- D. 307,499 4/1990 Box D3/312

1 Claim, 10 Drawing Sheets

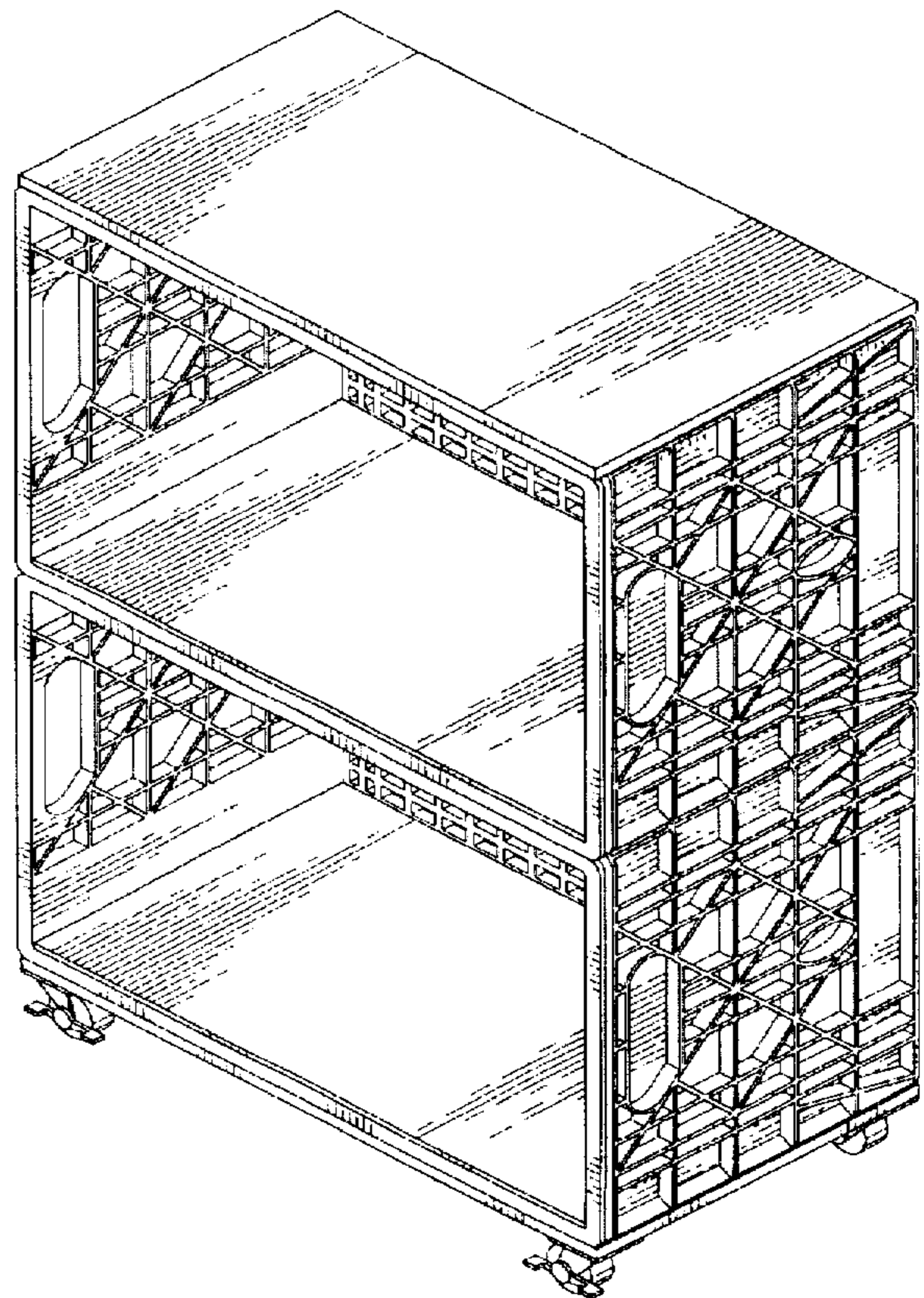
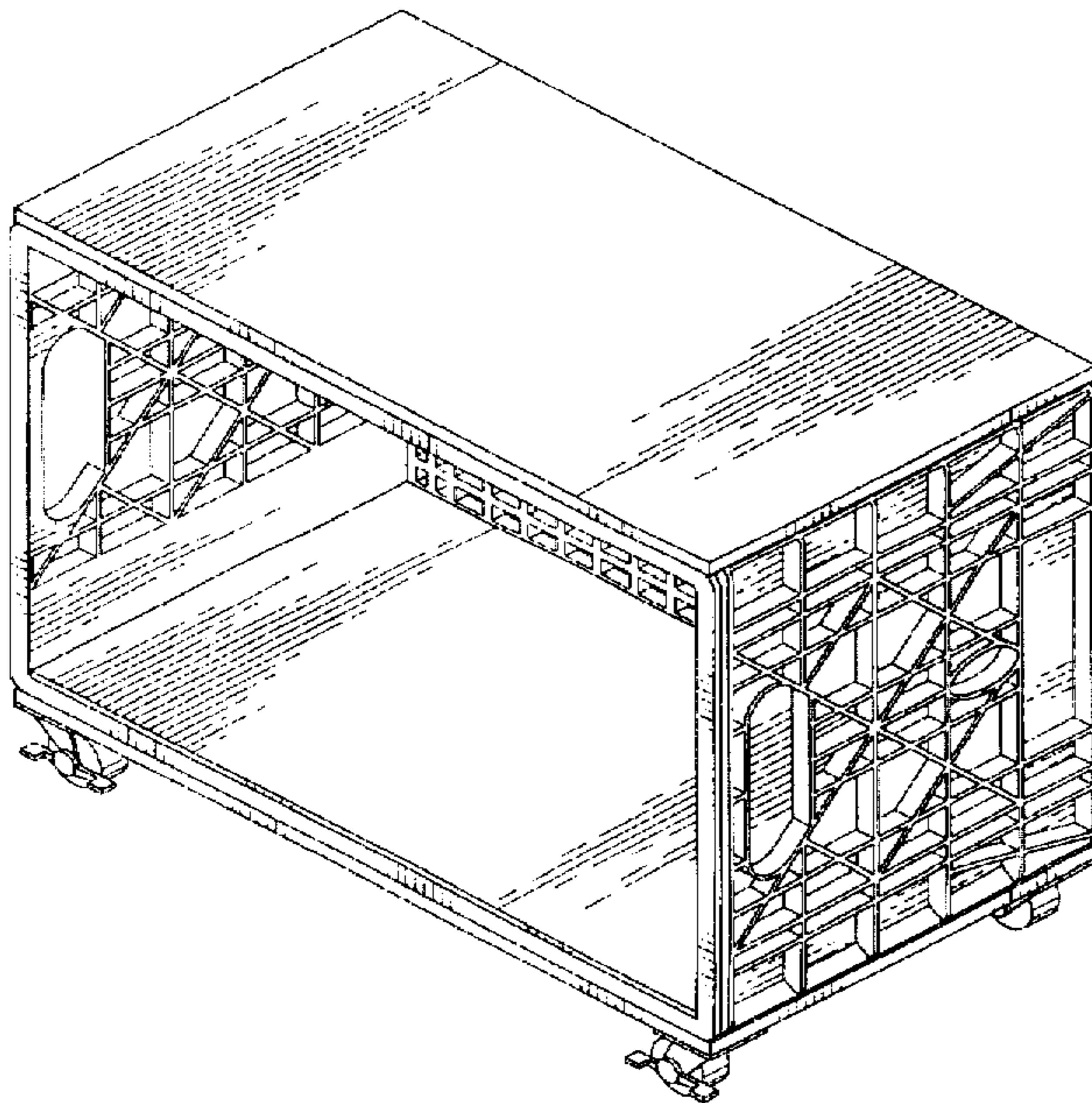


FIG. 1

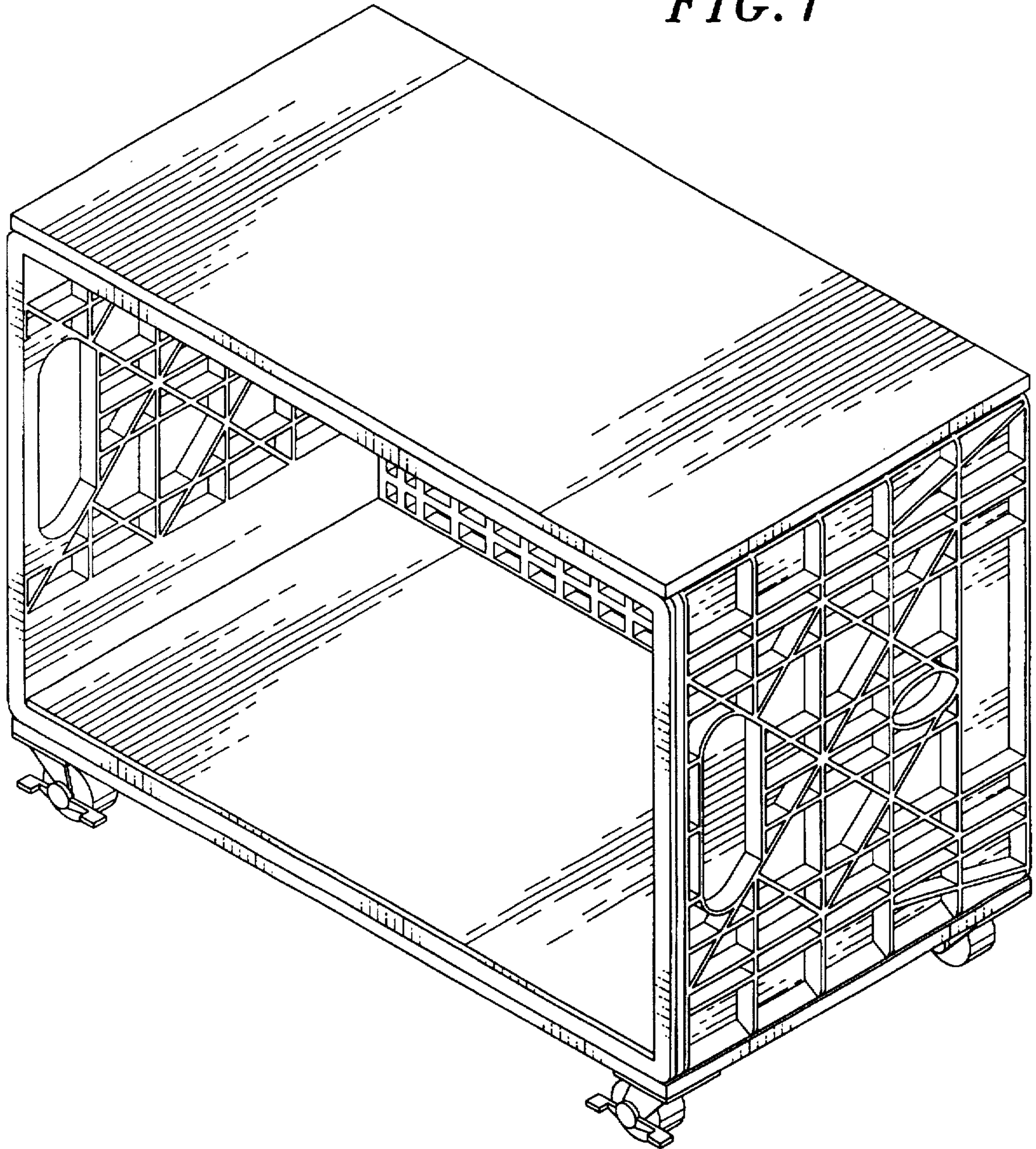


FIG. 2

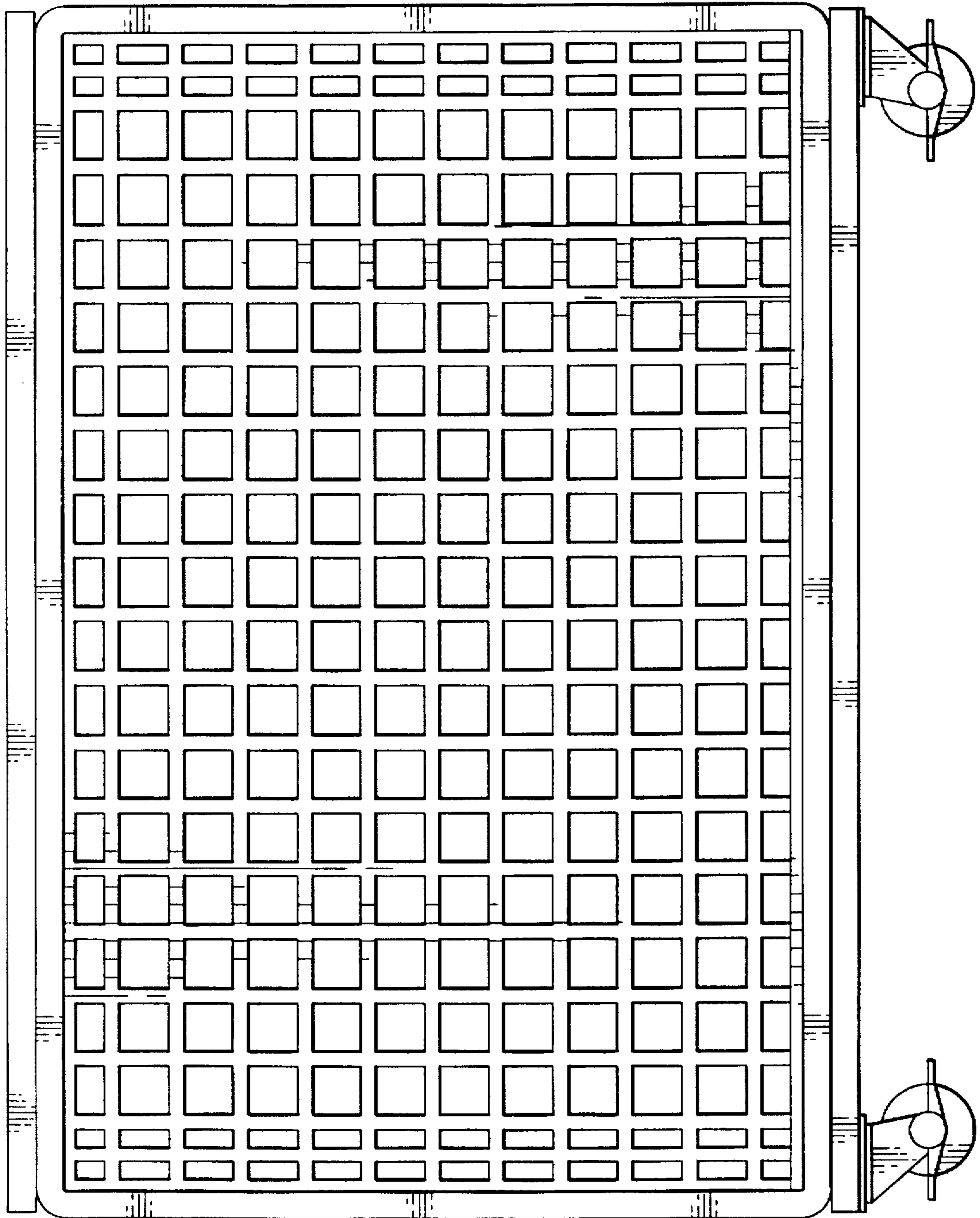


FIG. 3

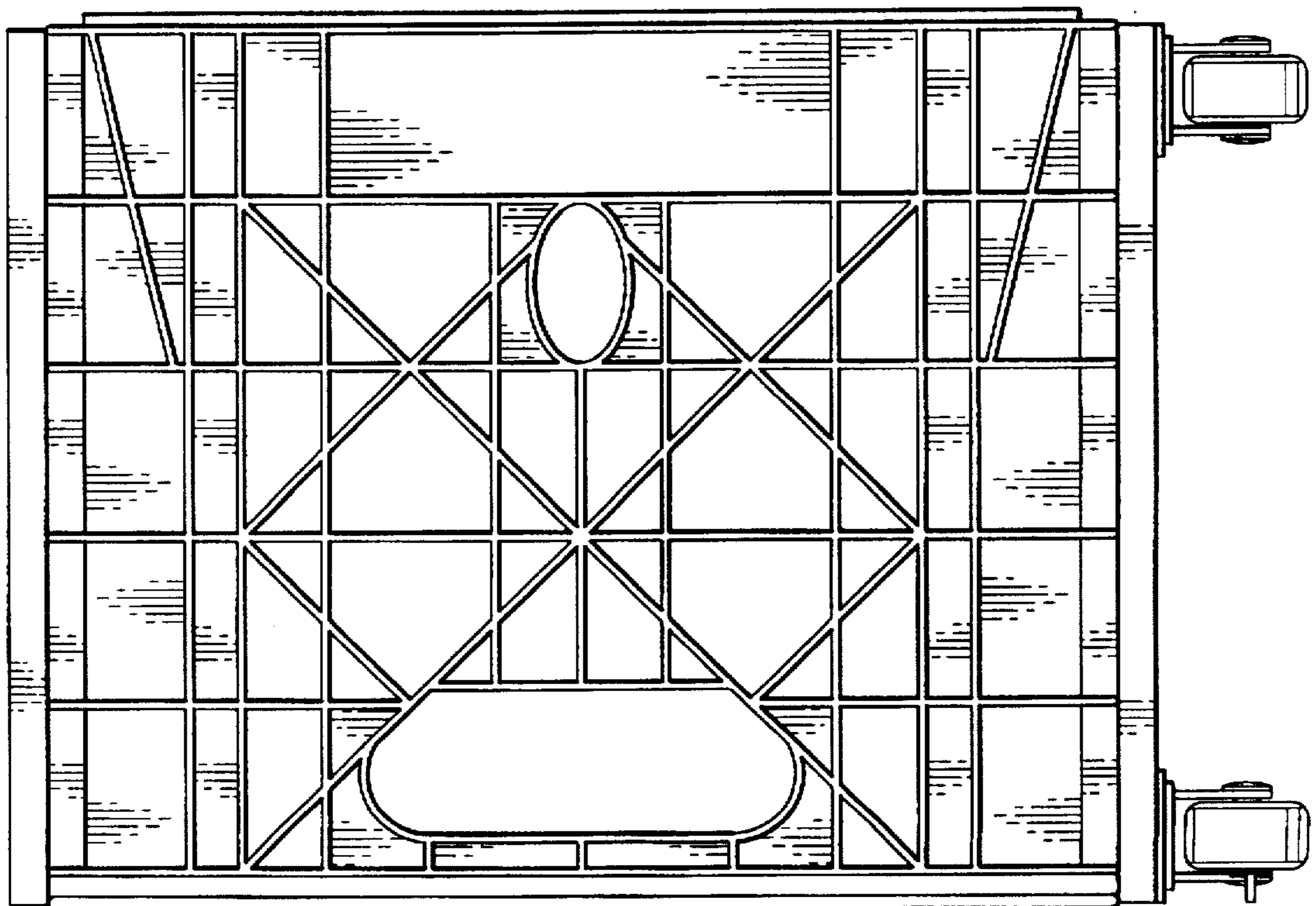


FIG. 4

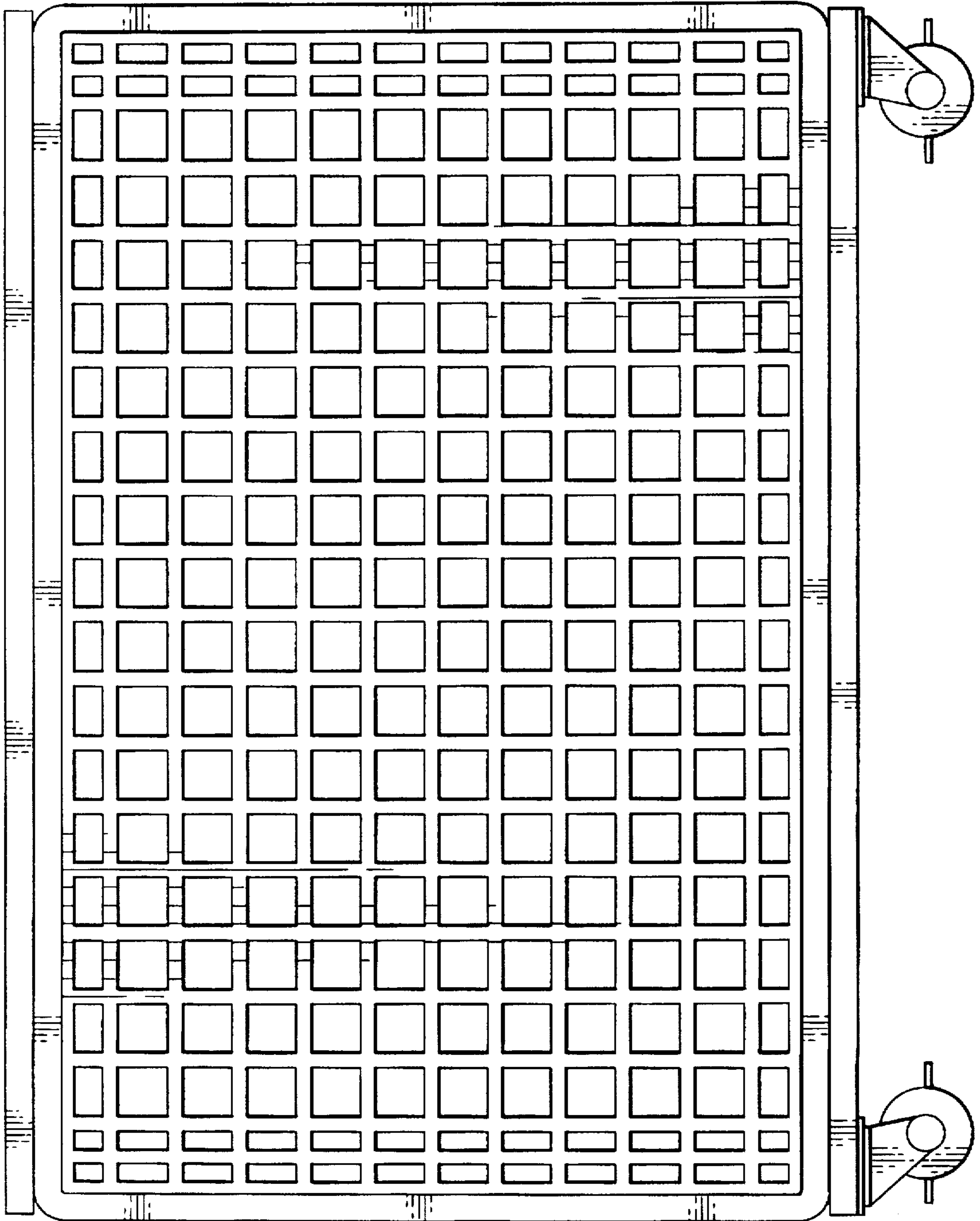


FIG. 5

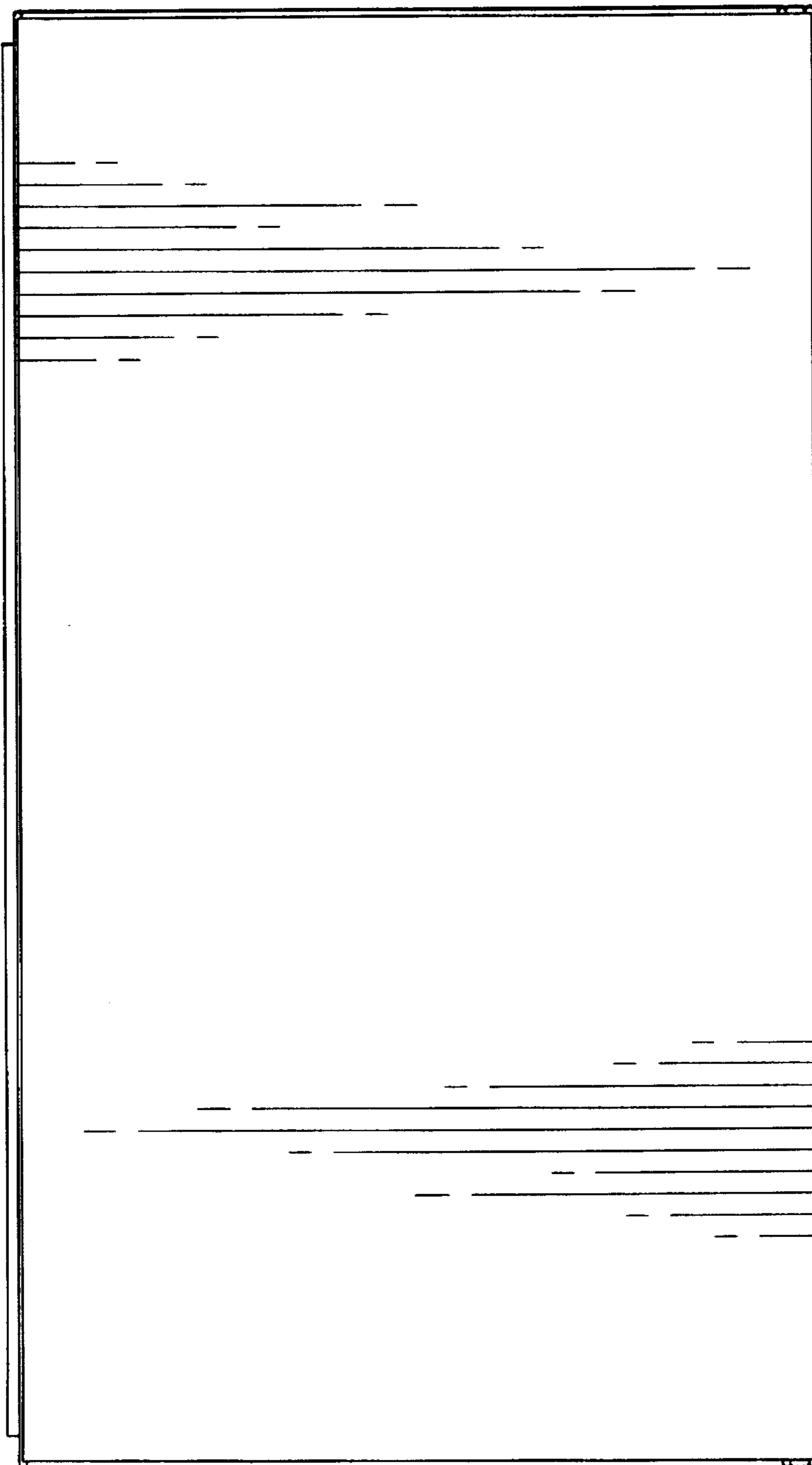


FIG. 6

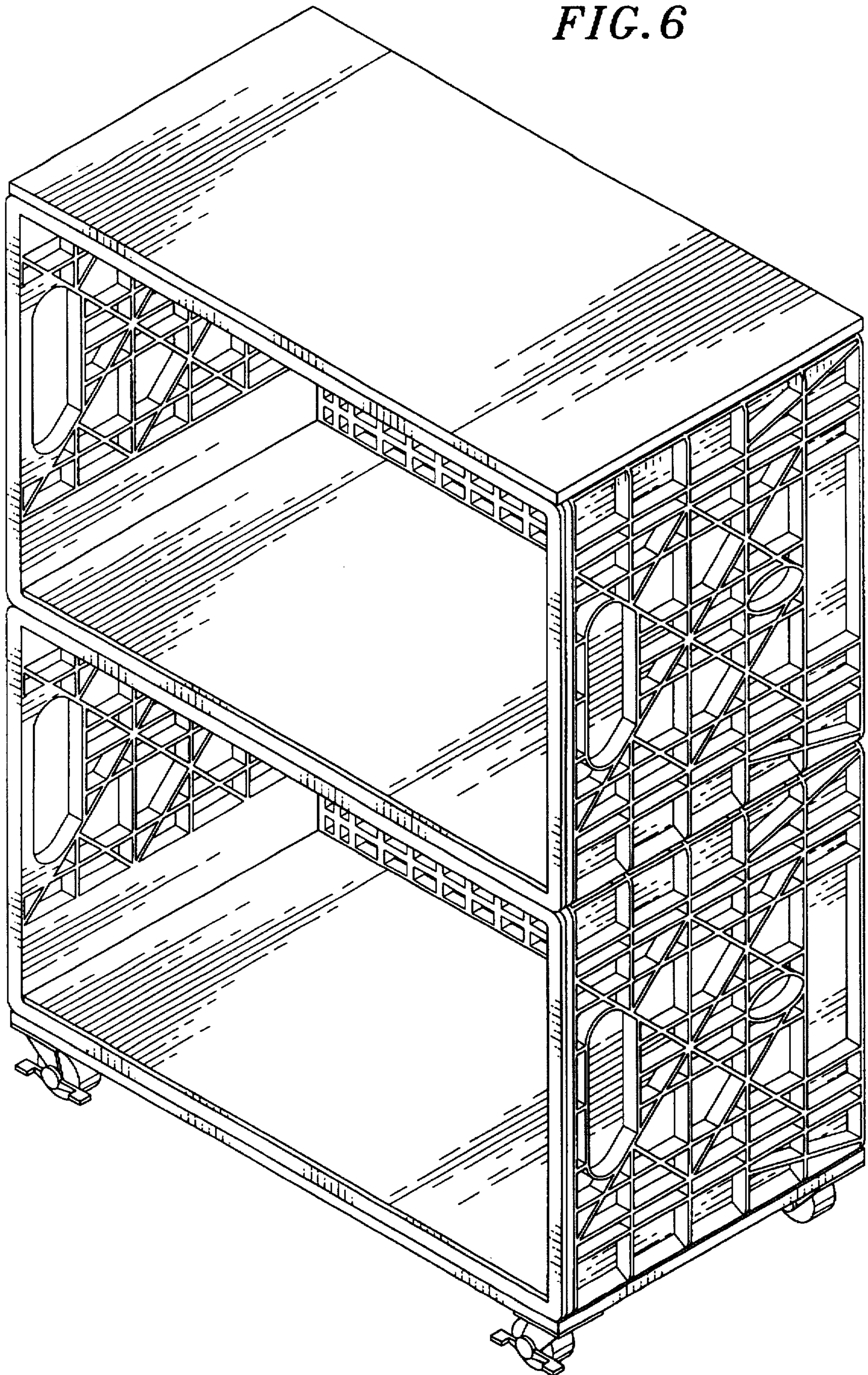


FIG. 7

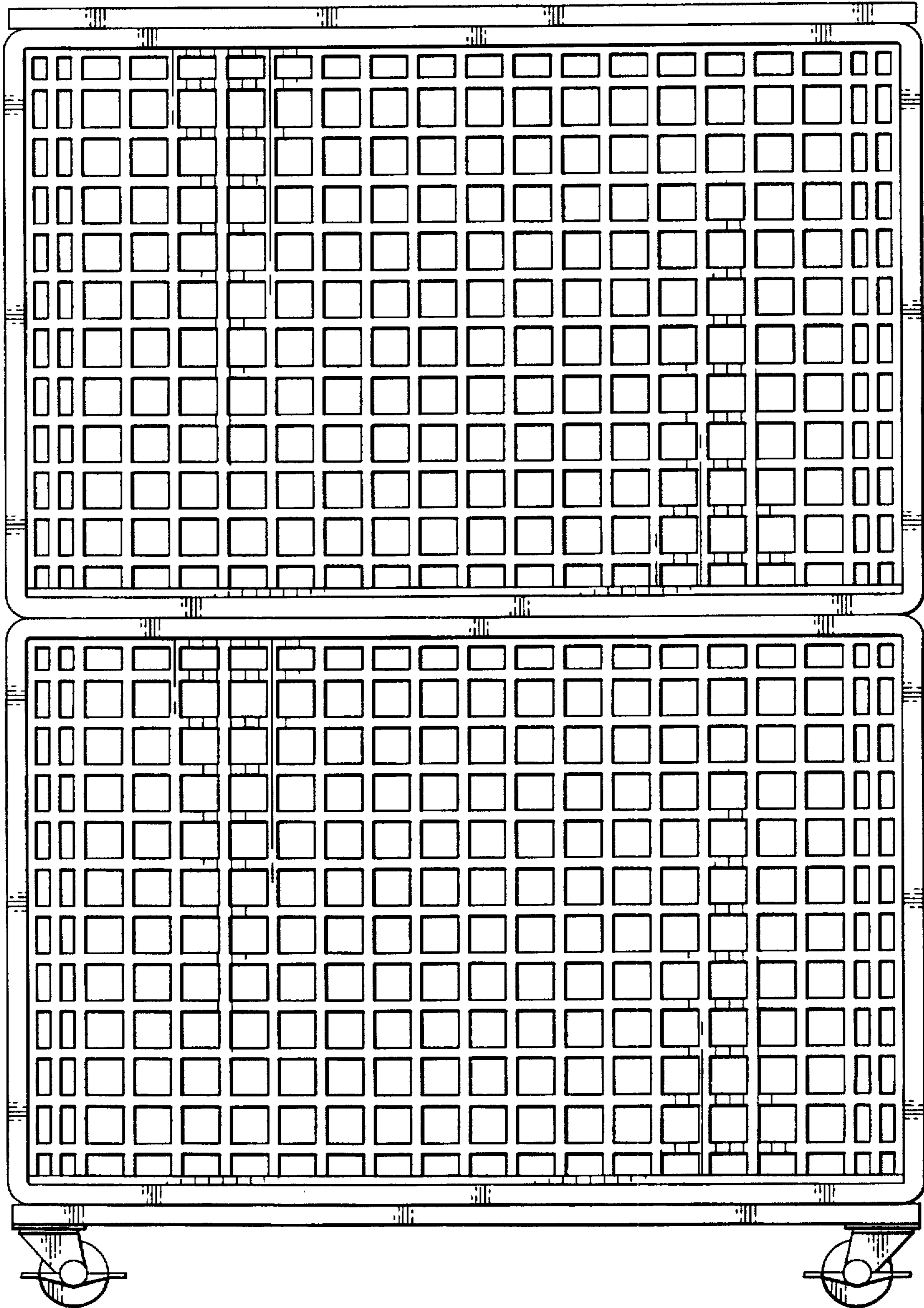


FIG. 8

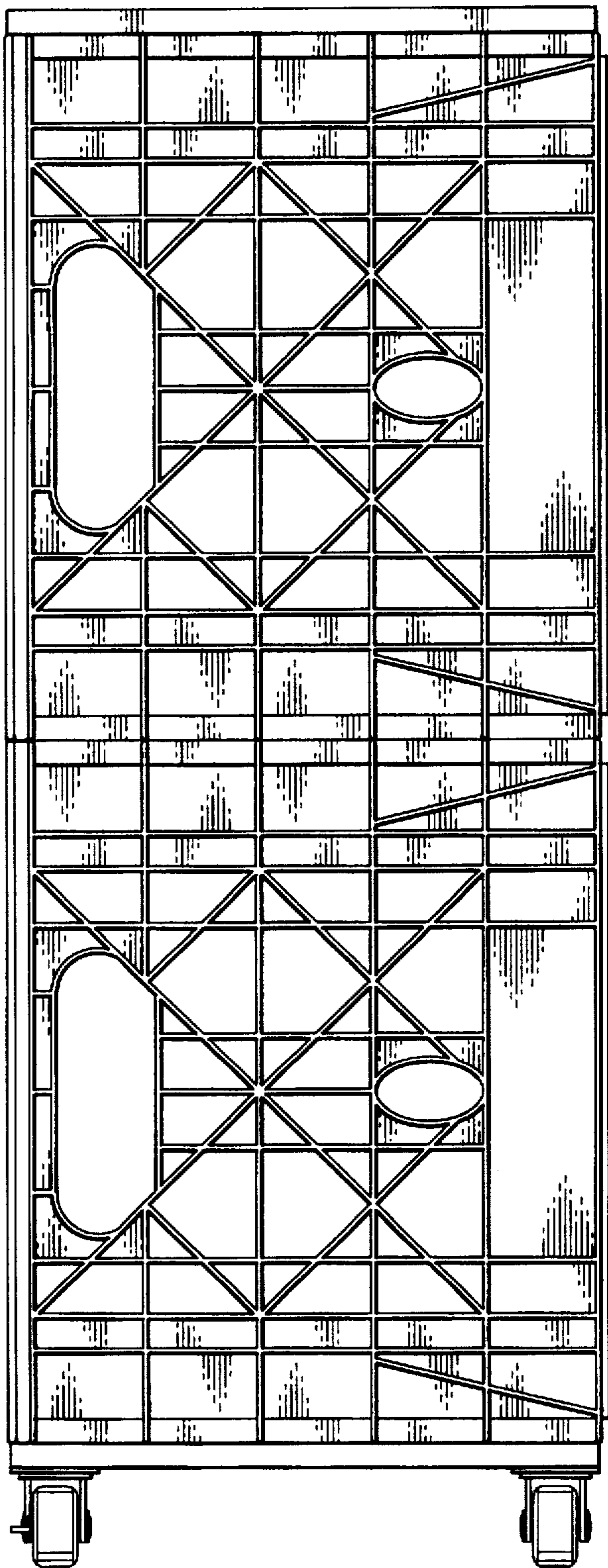


FIG. 9

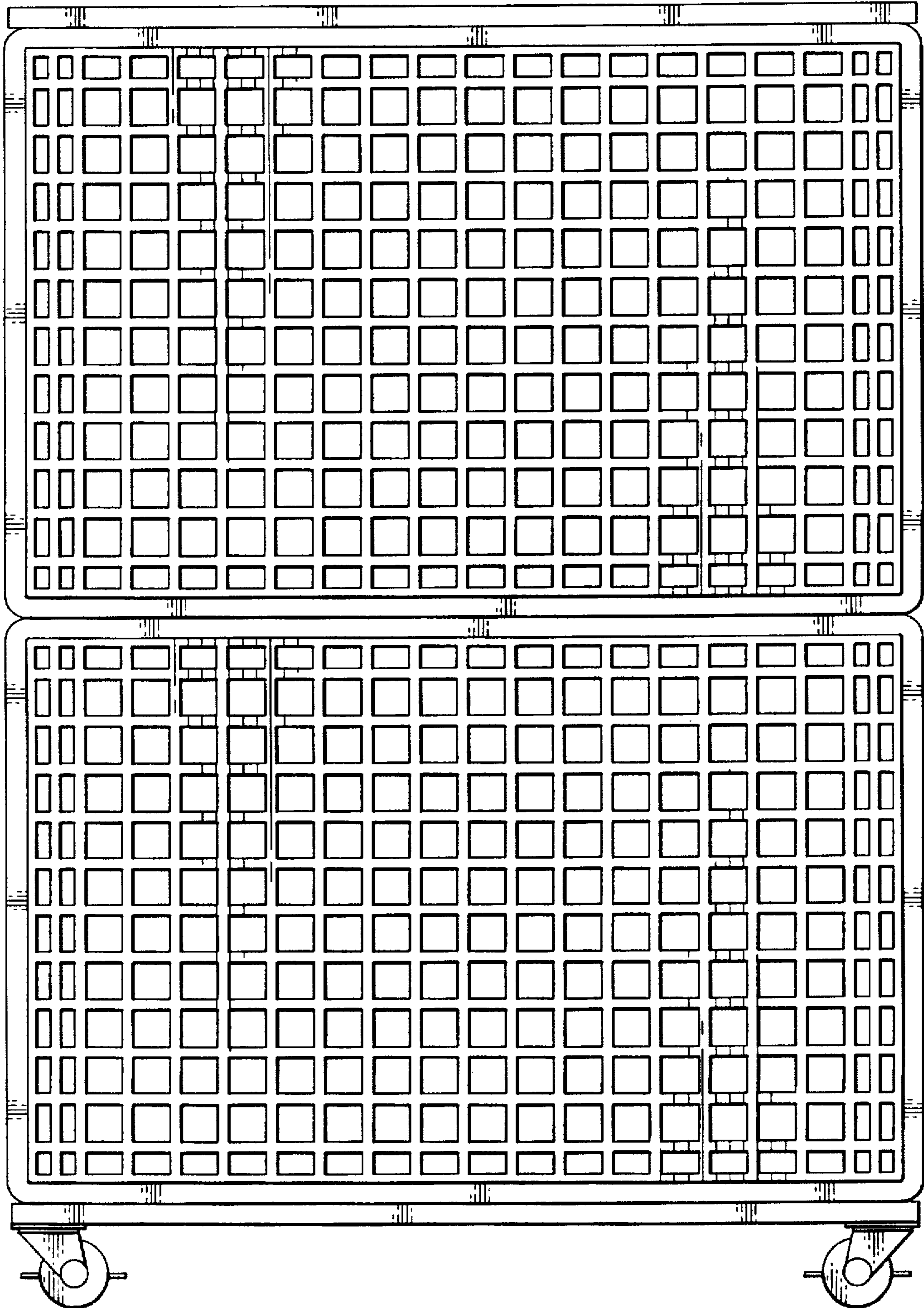
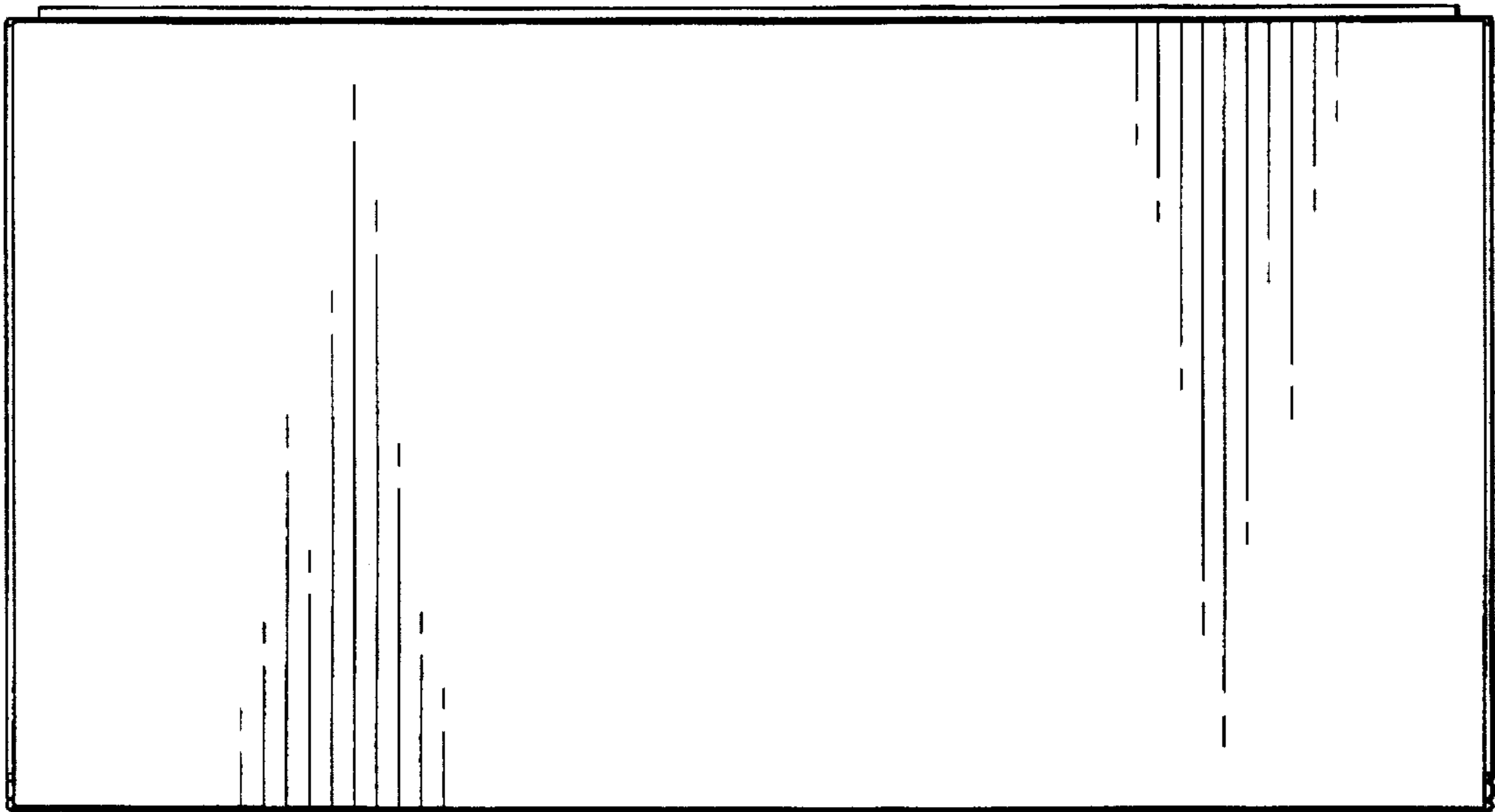


FIG. 10



UNITED STATES PATENT AND TRADEMARK OFFICE
CERTIFICATE OF CORRECTION

PATENT NO. : Des. 393,553
DATED : April 21, 1998
INVENTOR(S) : Christopher J. Beggs

It is certified that error appears in the above-identified patent and that said Letters Patent is hereby corrected as shown below:

Description, FIG. 1, replace "Modular Carte" with -- Modular Crate --.

Signed and Sealed this
First Day of December, 1998

Attest:



BRUCE LEHMAN

Attesting Officer

Commissioner of Patents and Trademarks