



US00D393551S

**United States Patent** [19]  
**Draheim**

[11] **Patent Number:** **Des. 393,551**  
[45] **Date of Patent:** **\*\*Apr. 21, 1998**

[54] **CHEST OF DRAWERS**

[75] **Inventor:** **Harvey J. Draheim, Weyauwega, Wis.**

[73] **Assignee:** **Simmons Juvenile Products Company, Inc., New London, Wis.**

[\*\*] **Term:** **14 Years**

[21] **Appl. No.:** **64,964**

[22] **Filed:** **Jan. 16, 1997**

[51] **LOC (6) Cl.** ..... **06-04**

[52] **U.S. Cl.** ..... **D6/441; D6/446**

[58] **Field of Search** ..... **D6/432, 439, 440, D6/441, 444-448; 312/204, 257.1**

[56] **References Cited**

**U.S. PATENT DOCUMENTS**

|            |         |                |       |          |
|------------|---------|----------------|-------|----------|
| D. 26,332  | 11/1896 | Pringle        | ..... | D6/440 X |
| D. 150,825 | 9/1948  | Buckner        | ..... | D6/441   |
| D. 278,397 | 4/1985  | Frankenreiter  | ..... | D6/440   |
| D. 292,760 | 11/1987 | Worth et al.   | ..... | D6/440   |
| D. 327,995 | 7/1992  | Brunner et al. | ..... | D6/446   |
| D. 380,317 | 7/1997  | Bergelin       | ..... | D6/446   |

**OTHER PUBLICATIONS**

Henredon Furniture, "Folio Nine." *Commode #46-5523*, p. 15, 1969.  
Simmons Juvenile Products Company, Inc. 1996 Catalog *Dresser 6801*.

*Primary Examiner*—James Gandy  
*Assistant Examiner*—Linda Brooks  
*Attorney, Agent, or Firm*—Hoffmann & Baron, LLP

[57] **CLAIM**

The ornamental design for a chest of drawers, as shown and described.

**DESCRIPTION**

FIG. 1 is a top perspective view of a chest of drawers showing my new design;  
FIG. 2 is a top plan view thereof;  
FIG. 3 is a front elevation view thereof;  
FIG. 4 is a side elevation view, the opposite side being a mirror image thereof;  
FIG. 5 is a top perspective view of a chest of drawers showing a second embodiment of my new design;  
FIG. 6 is a top plan view thereof;  
FIG. 7 is a front elevation view thereof;  
FIG. 8 is a side elevation view thereof, the opposite side being a mirror image thereof;  
FIG. 9 is an enlarged fragmentary sectional view taken along line 9—9 of FIG. 3;  
FIG. 10 is an enlarged fragmentary sectional view taken along line 10—10 of FIG. 3; and  
FIG. 11 is an enlarged fragmentary sectional view taken along line 11—11 of FIG. 3.  
The rear and bottom of the chest of drawers form no part of the claimed design.

**1 Claim, 8 Drawing Sheets**

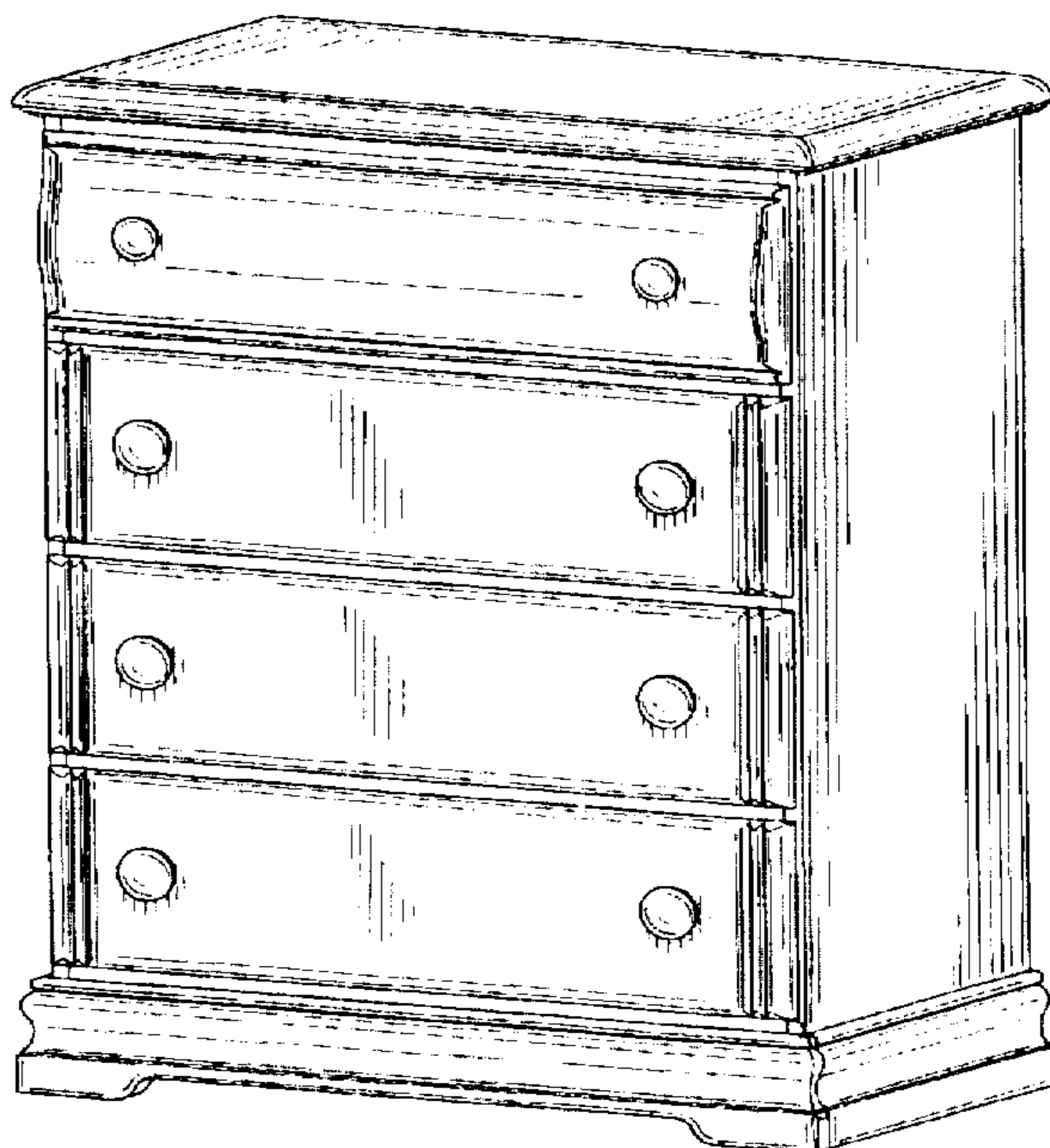
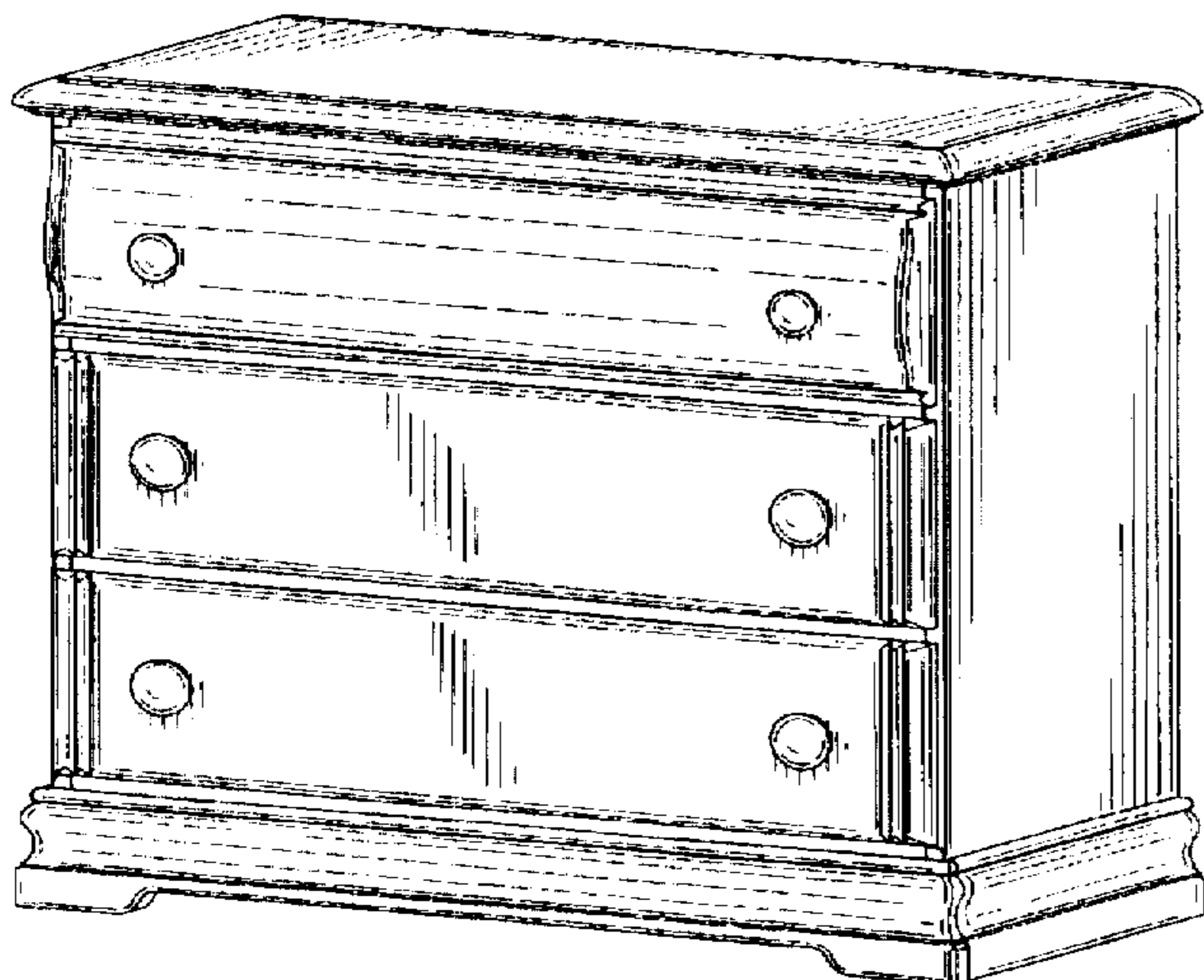


FIG-1

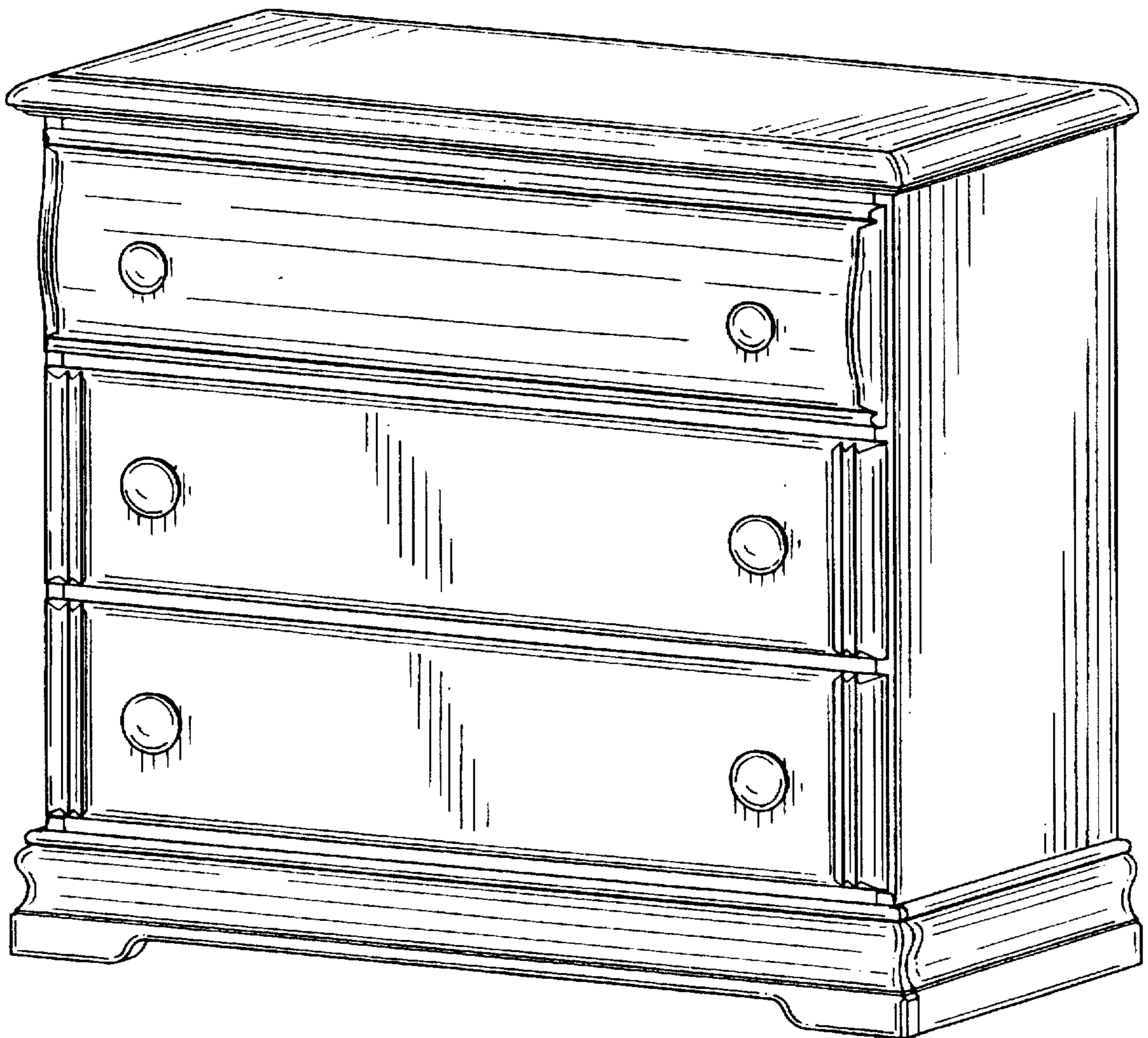


FIG-2

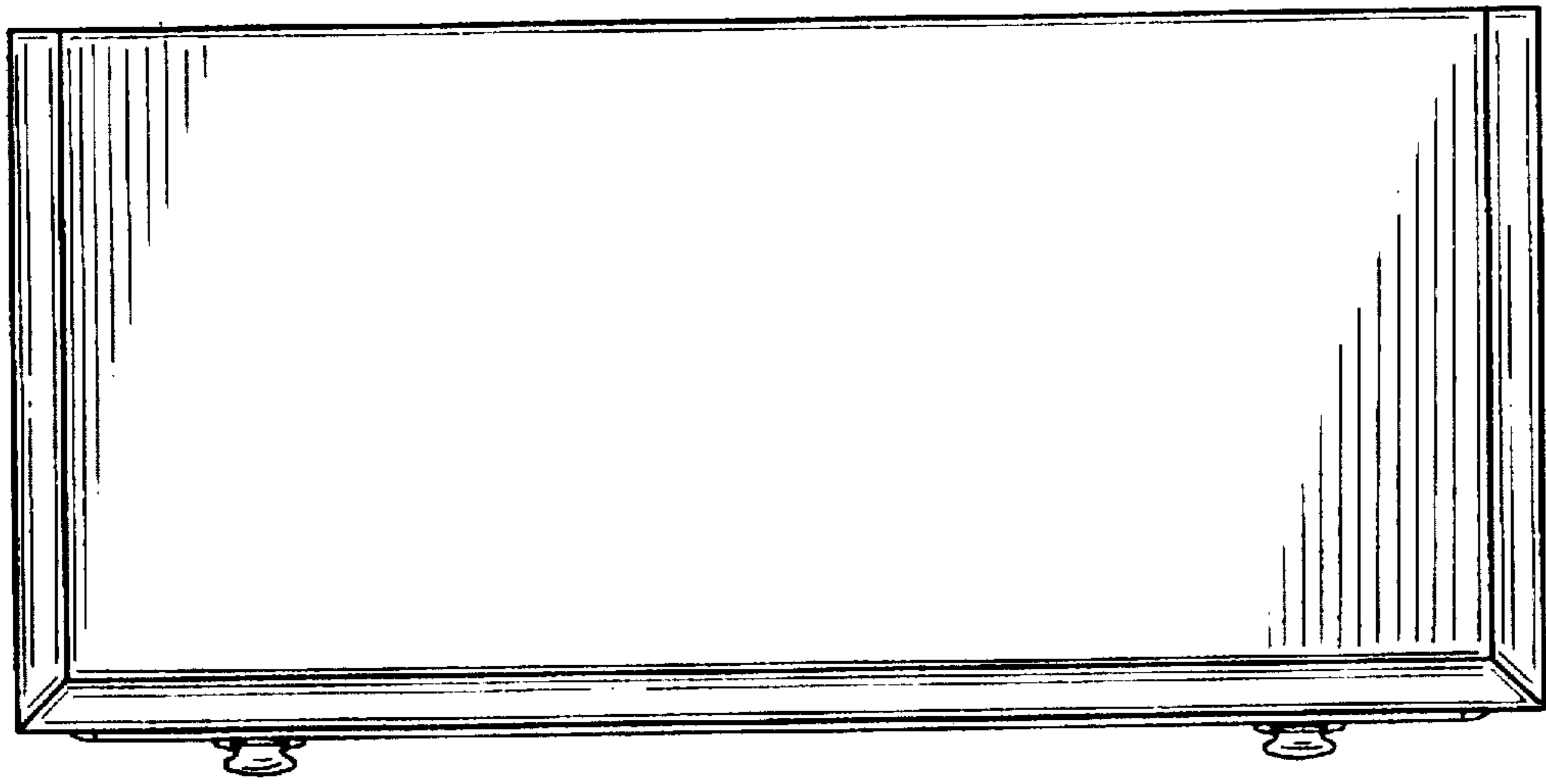


FIG-3

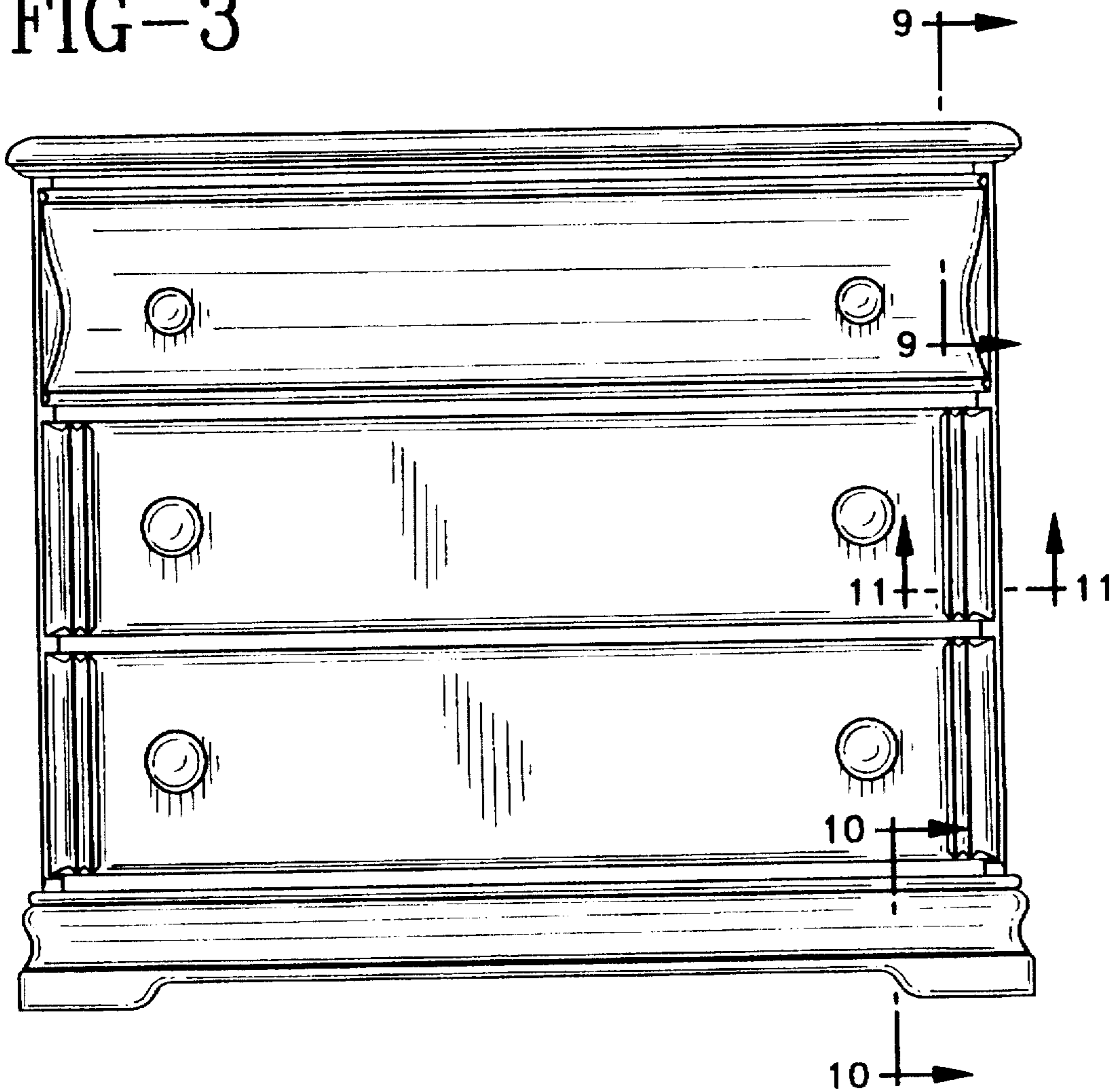


FIG-4

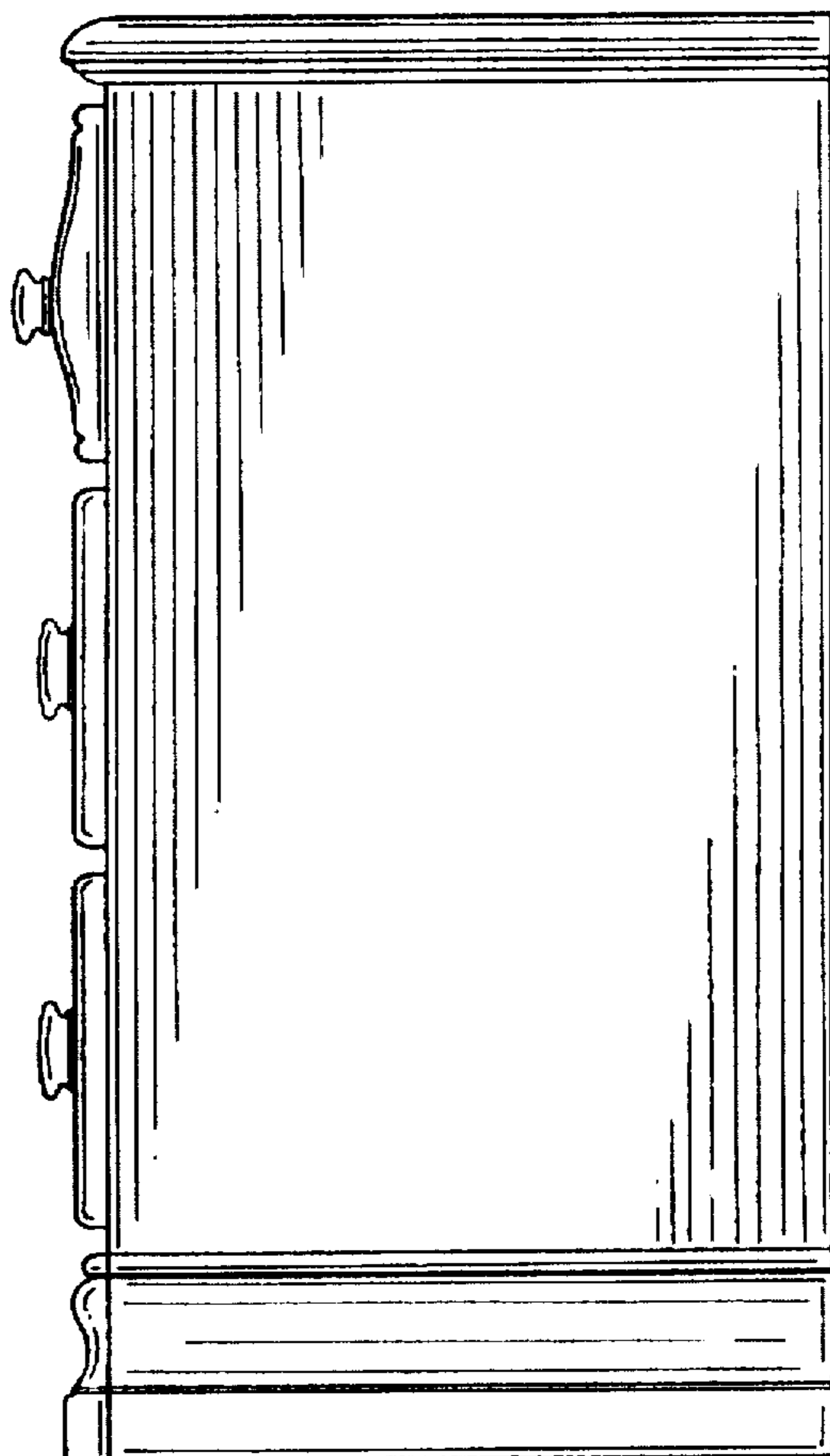


FIG-5

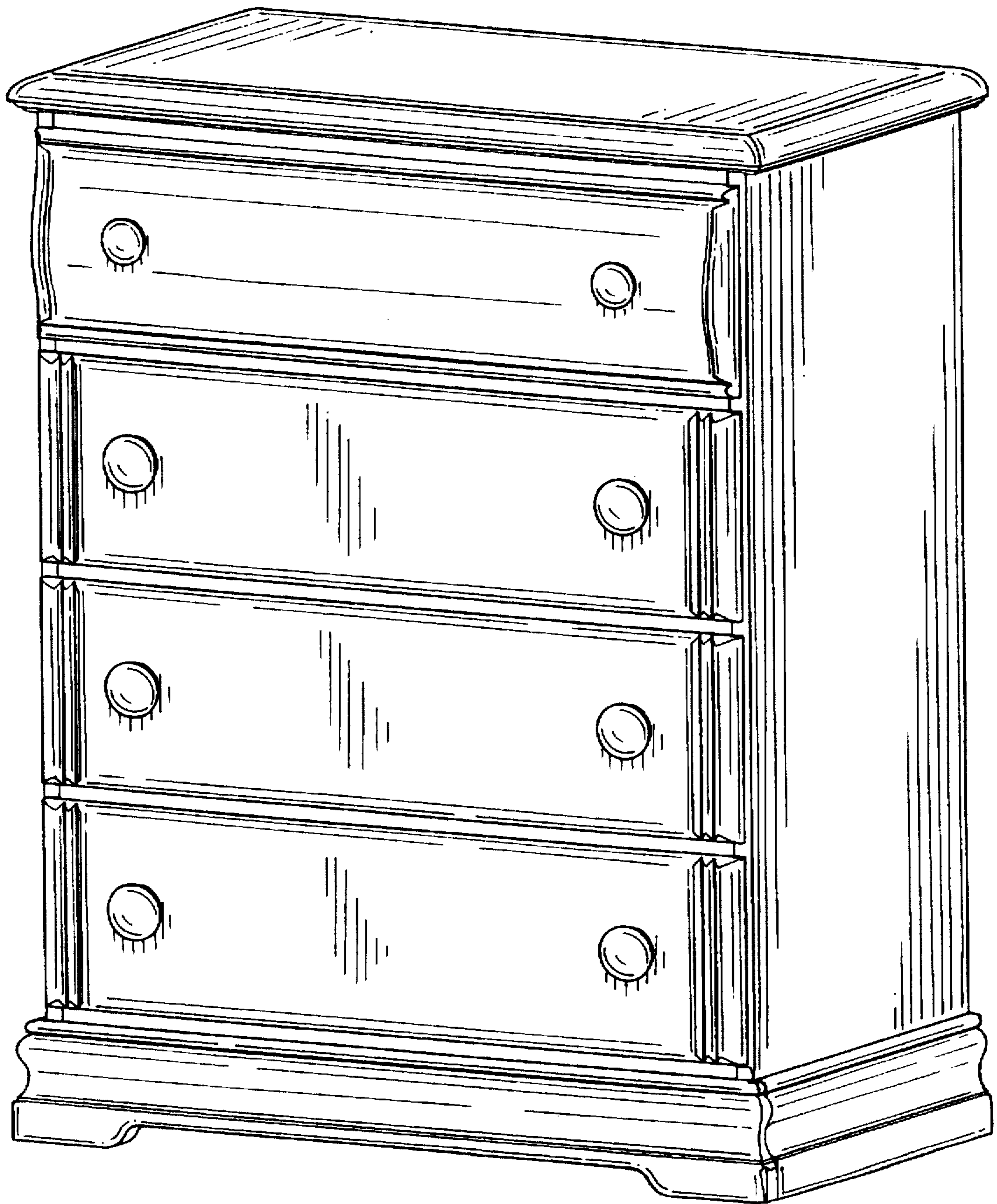


FIG-6

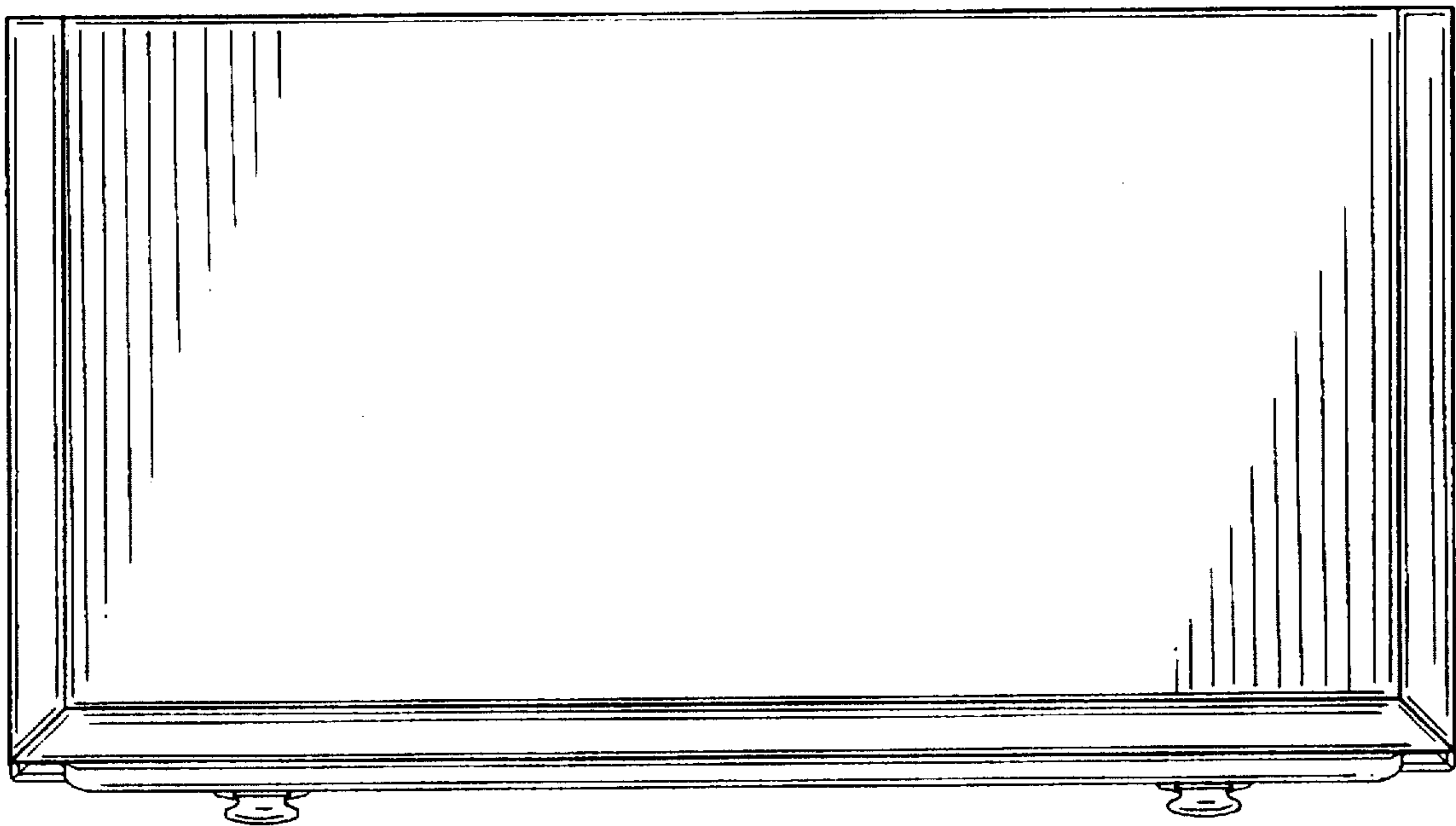


FIG-7

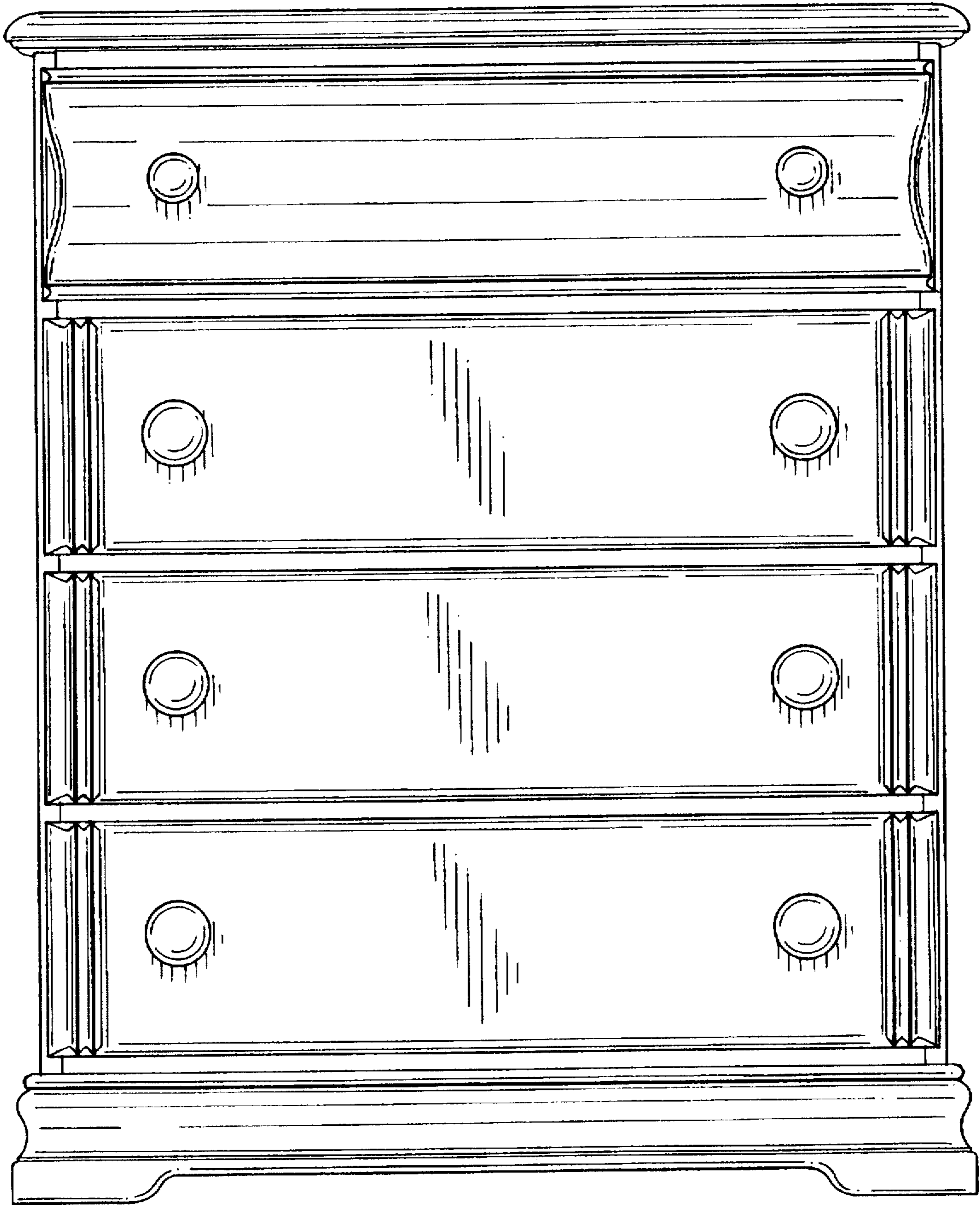


FIG-8

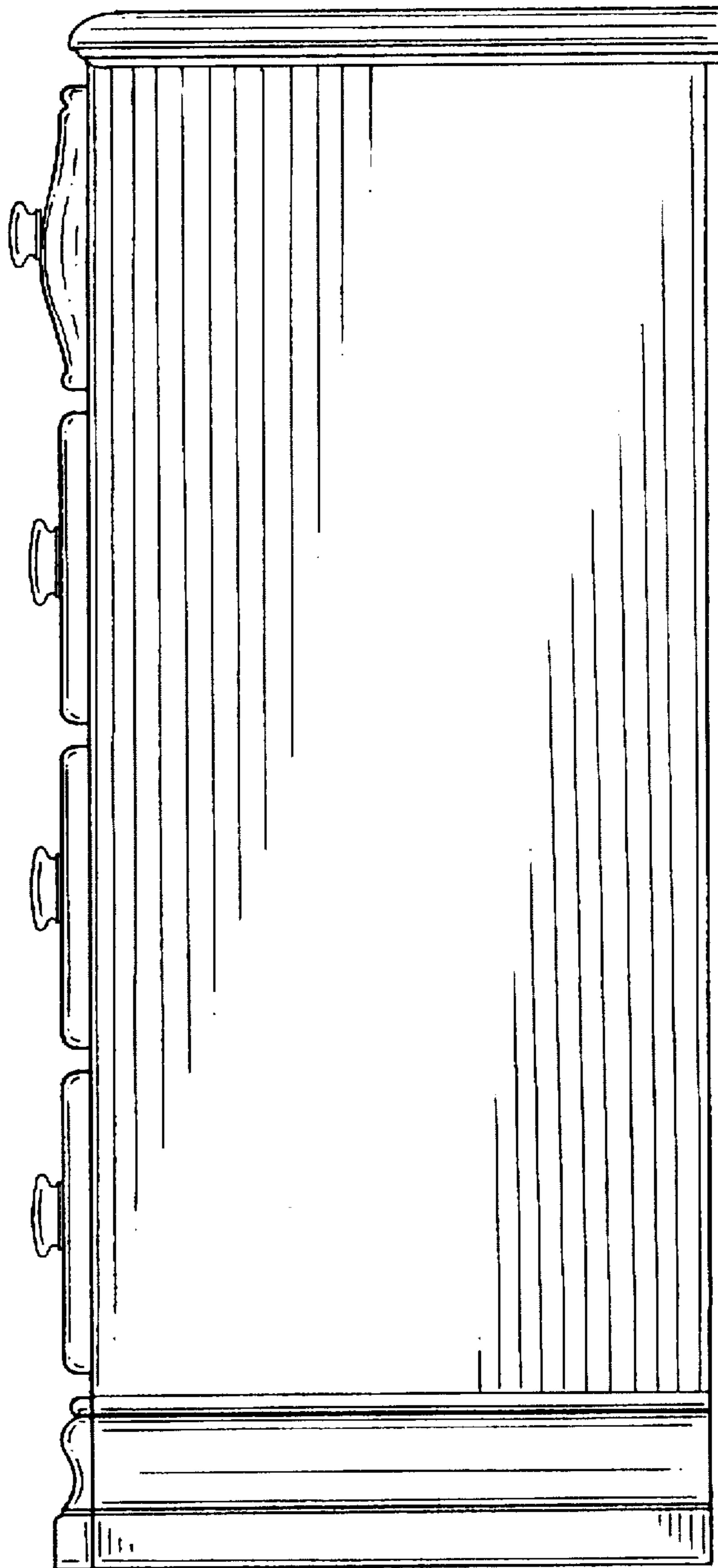




FIG-9

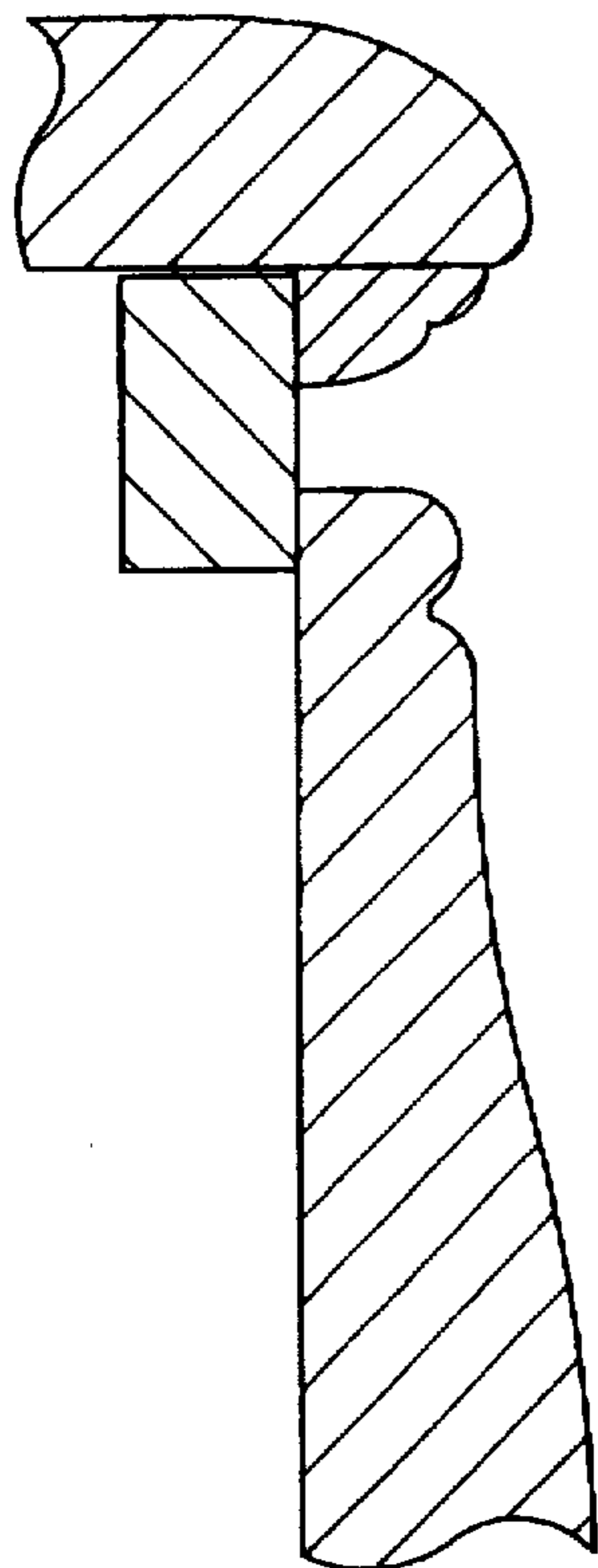


FIG-10

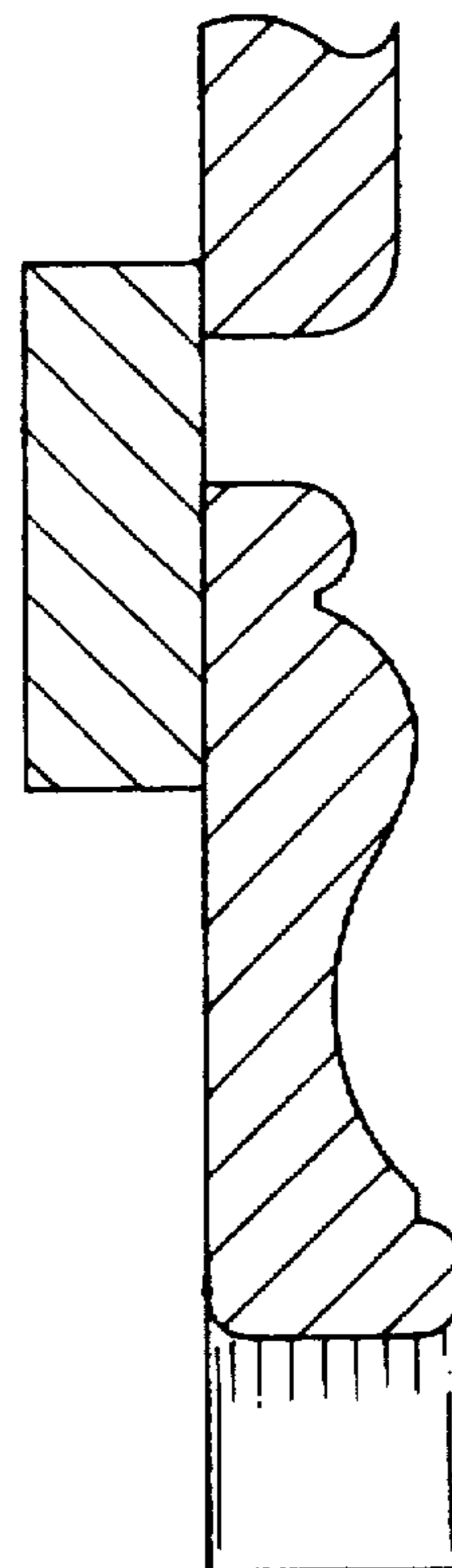


FIG-11

