

US00D393534S

United States Patent [19]
Stone

[11] **Patent Number:** **Des. 393,534**
[45] **Date of Patent:** ****Apr. 14, 1998**

[54] **TABLETOP SPIRITUAL OBSERVATORY**

[76] **Inventor:** **Carl V. Stone, 200 Highland, Fairfield, Iowa 52556**

[**] **Term:** **14 Years**

[21] **Appl. No.:** **44,067**

[22] **Filed:** **Sep. 15, 1995**

Related U.S. Application Data

[63] Continuation of Ser. No. 38,776, Mar. 31, 1995, abandoned.

[51] **LOC (6) Cl.** **99-00**

[52] **U.S. Cl.** **D99/99; D21/32; D99/25**

[58] **Field of Search** **D99/99, 25, 17; D11/122, 131, 157; 273/161; D21/32, 22; D25/3**

[56] **References Cited**

U.S. PATENT DOCUMENTS

- D. 179,090 10/1956 Naimon D11/122
- D. 181,072 9/1957 Sutphen D25/3

- D. 191,350 9/1961 Horvat D25/3
- D. 218,525 8/1970 Bragg D11/122
- D. 269,982 8/1983 Picataci D21/32 X
- D. 291,328 8/1987 Knotter D21/32
- D. 324,887 3/1992 Cecalek D21/32 X
- 5,499,818 3/1996 Allal 273/161
- 5,516,389 5/1996 Quidley et al. 273/161

Primary Examiner—Doris V. Coles
Attorney, Agent, or Firm—Frederick N. Samuels

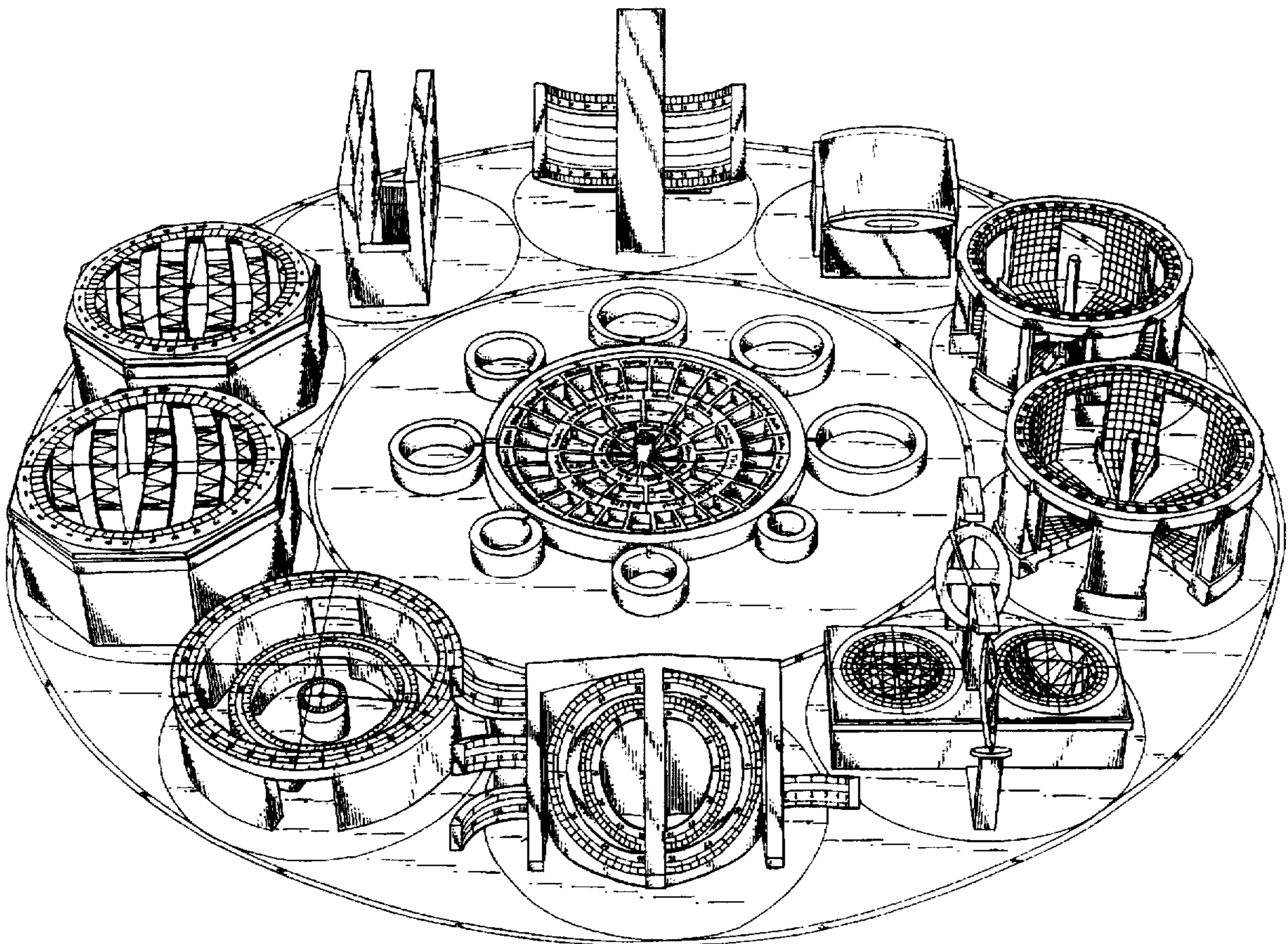
[57] **CLAIM**

The ornamental design for a tabletop spiritual for observatory, as shown.

DESCRIPTION

FIG. 1 is a top, front perspective view of a tabletop spiritual observatory, showing my new design; FIG. 2 is a front perspective view thereof; FIG. 3 is a right side perspective view thereof; FIG. 4 is a top, rear perspective view thereof; and, FIG. 5 is a left side perspective view thereof. The bottom is plain and unornamented.

1 Claim, 5 Drawing Sheets



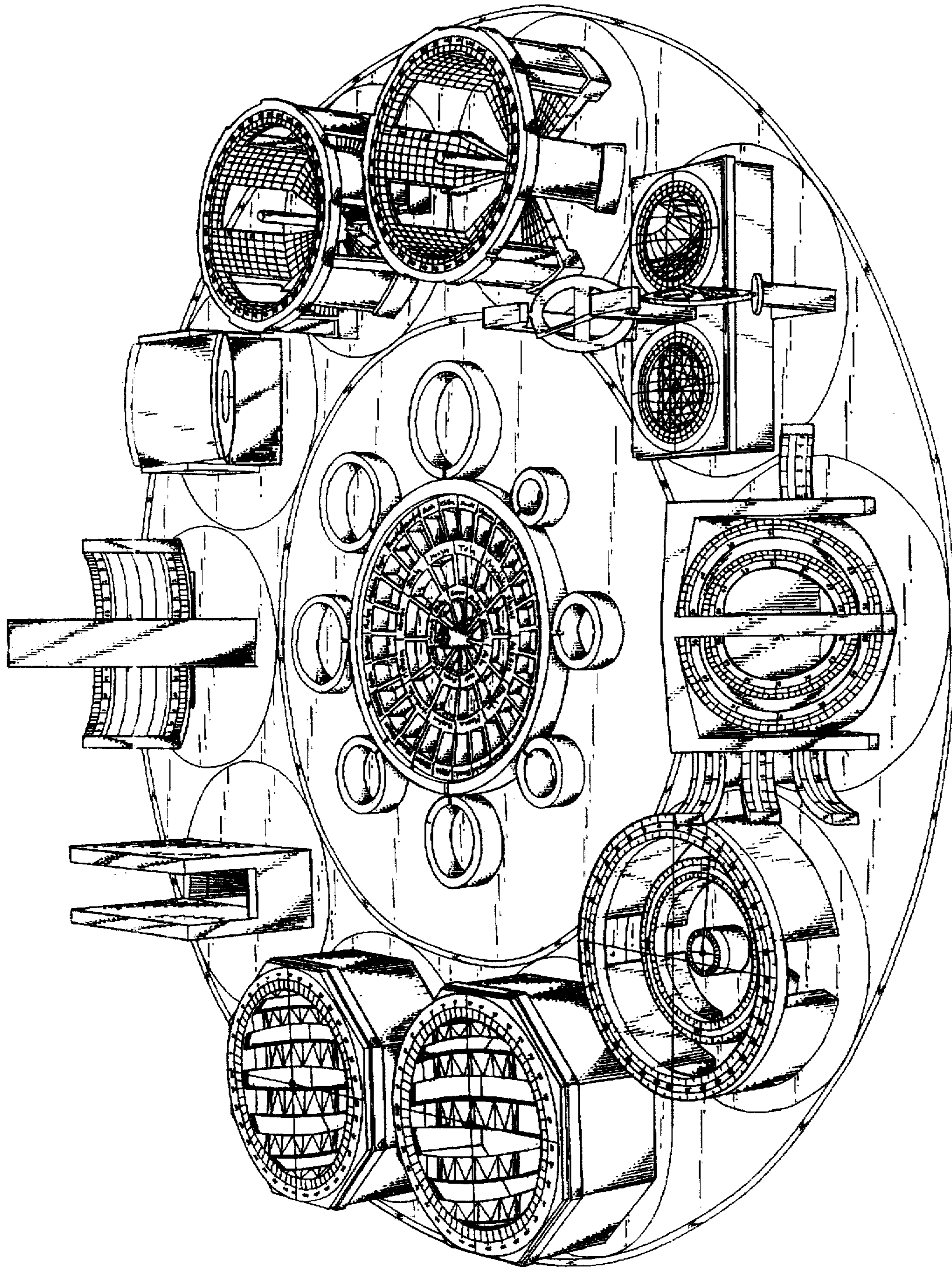


FIG. 1

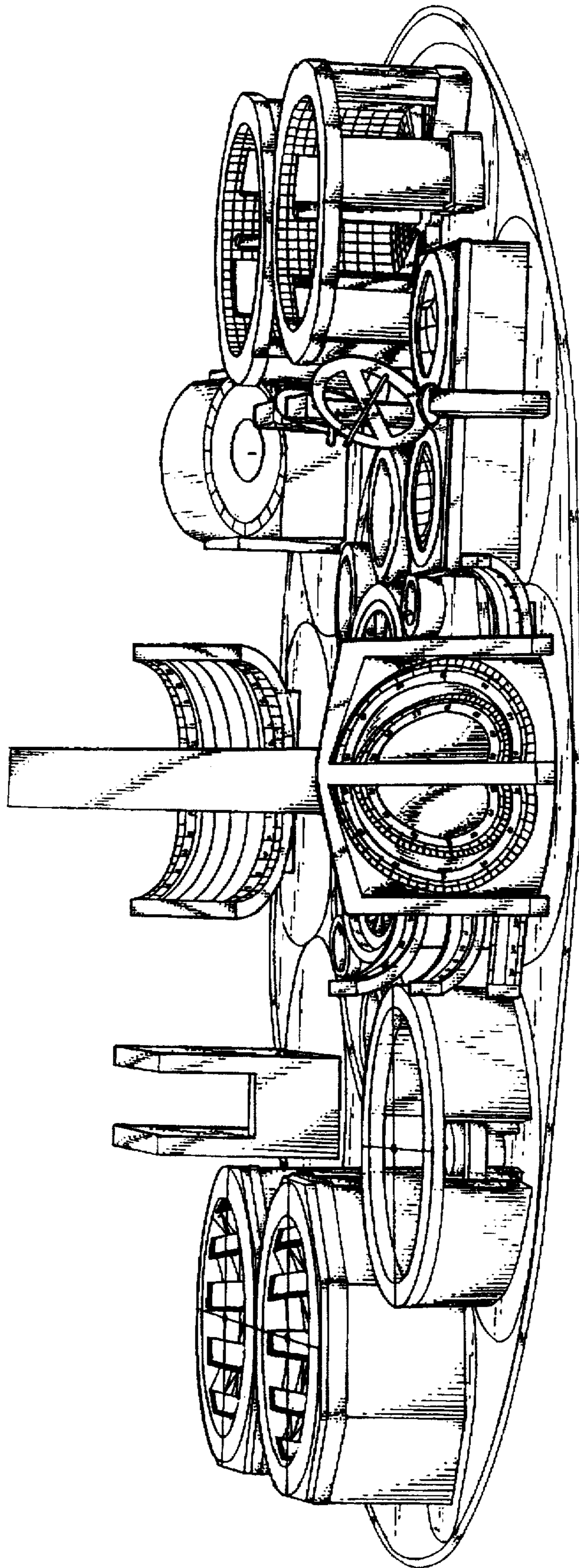


FIG. 2

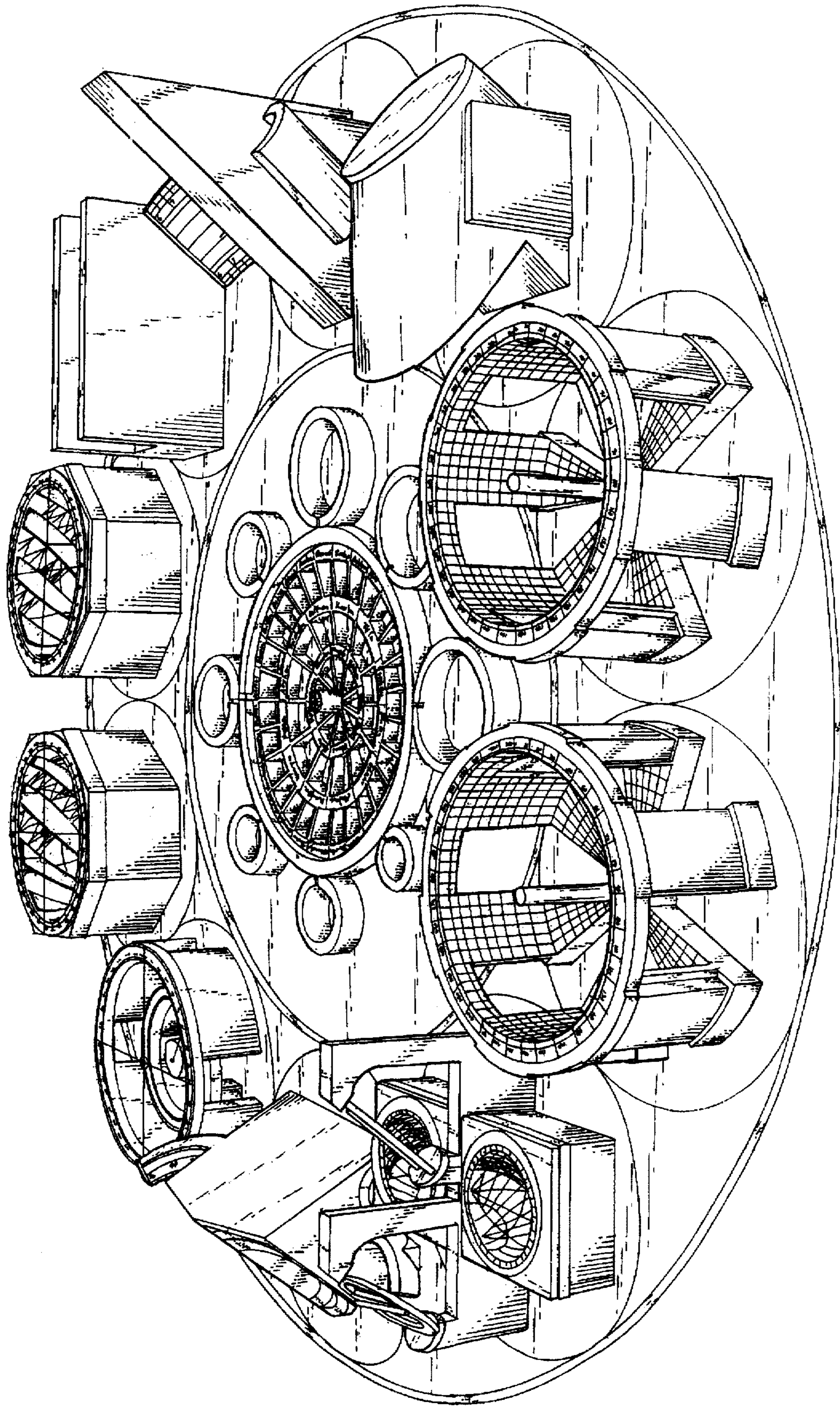


FIG. 3

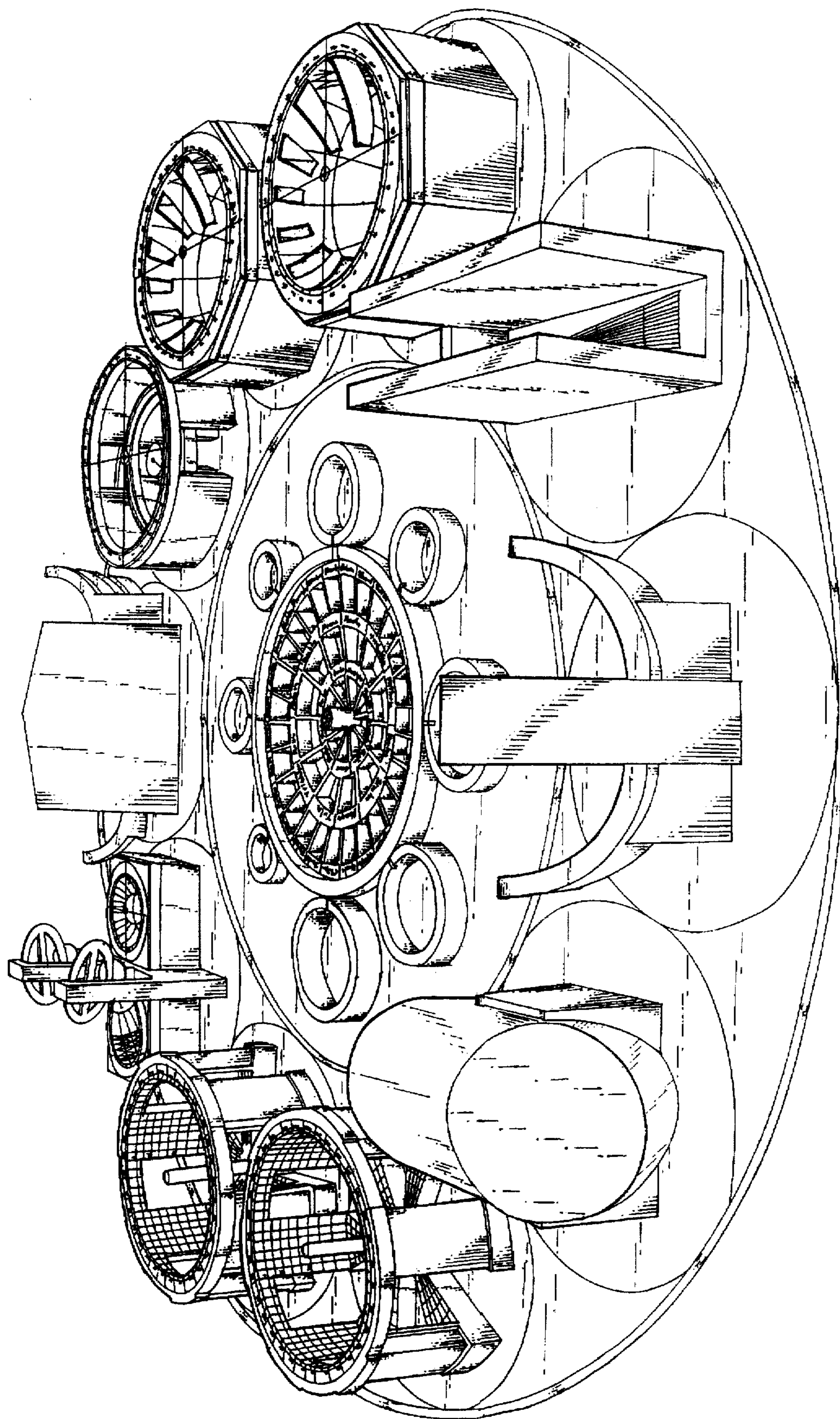


FIG. 4

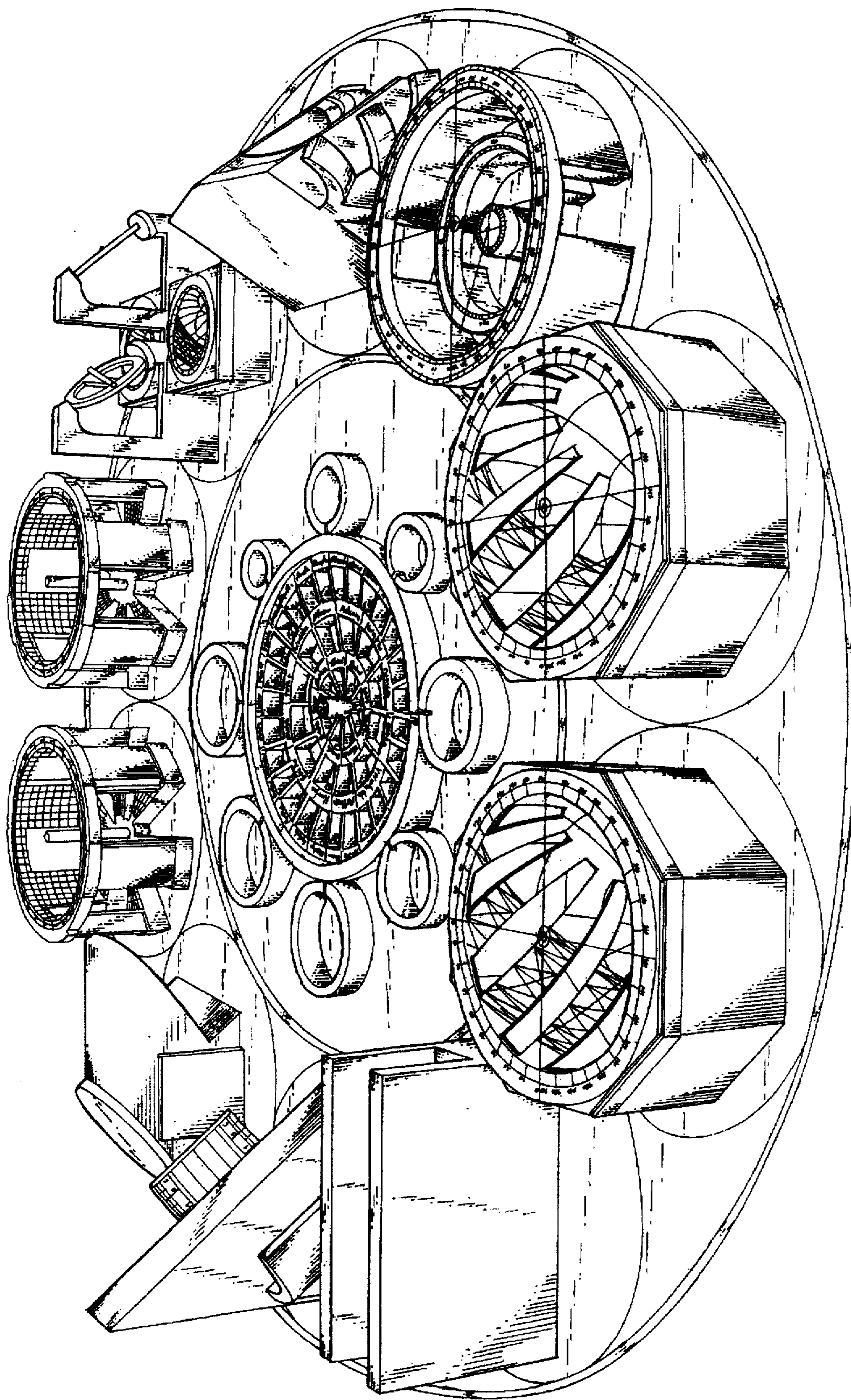


FIG. 5