



US00D393531S

United States Patent [19]
Perkitny

[11] **Patent Number: Des. 393,531**
[45] **Date of Patent: **Apr. 14, 1998**

[54] **COIN BANK**
[75] **Inventor: Jerzy Perkitny, Bay Village, Ohio**
[73] **Assignee: Mag-Nif Incorporated, Mentor, Ohio**
[**] **Term: 14 Years**

4,607,648 8/1986 Hough 446/8 X
4,995,848 2/1991 Goh .
5,474,996 12/1995 Perkitny 446/10 X

FOREIGN PATENT DOCUMENTS

2130779 6/1984 United Kingdom .

OTHER PUBLICATIONS

MAGNIF Just For Fun catalog entitled "Magnif Banks Puzzles Games Gifts" (8 double sided sheets) (1994).

Primary Examiner—Doris V. Coles
Attorney, Agent, or Firm—Fay, Sharpe, Beall, Fagan, Minnich & McKee

[21] **Appl. No.: 52,269**
[22] **Filed: Mar. 27, 1996**
[51] **LOC (6) Cl. 99-00**
[52] **U.S. Cl. D99/35**
[58] **Field of Search D99/34, 35, 36;**
D19/77; 206/3; 232/4 R. 1 D; 446/8, 9,
10; 194/338, 344, 352

[57] **CLAIM**

The ornamental design for a coin bank, as shown.

[56] **References Cited**

U.S. PATENT DOCUMENTS

D. 270,868 10/1983 Spirk, Jr. et al. D99/35
D. 283,075 3/1986 Spirk, Jr. et al. D99/34
D. 288,499 2/1987 Wan D99/36
D. 296,029 5/1988 Knox D99/35
D. 347,929 6/1994 Perkitny D99/34
1,433,943 10/1922 Doldt .
3,313,477 4/1967 Brown 446/8 X
4,396,029 8/1983 Anderson .
4,479,502 10/1984 Iversen D99/34 X
4,511,341 4/1985 Spirk, Jr. et al. 446/9

DESCRIPTION

FIG. 1 is a perspective view of a coin bank showing my new design;
FIG. 2 is a front elevational view thereof;
FIG. 3 is a rear elevational view thereof;
FIG. 4 is a top plan view thereof;
FIG. 5 is a bottom plan view thereof;
FIG. 6 is a right side elevational view thereof; and,
FIG. 7 is a left side elevational view thereof.

1 Claim, 3 Drawing Sheets

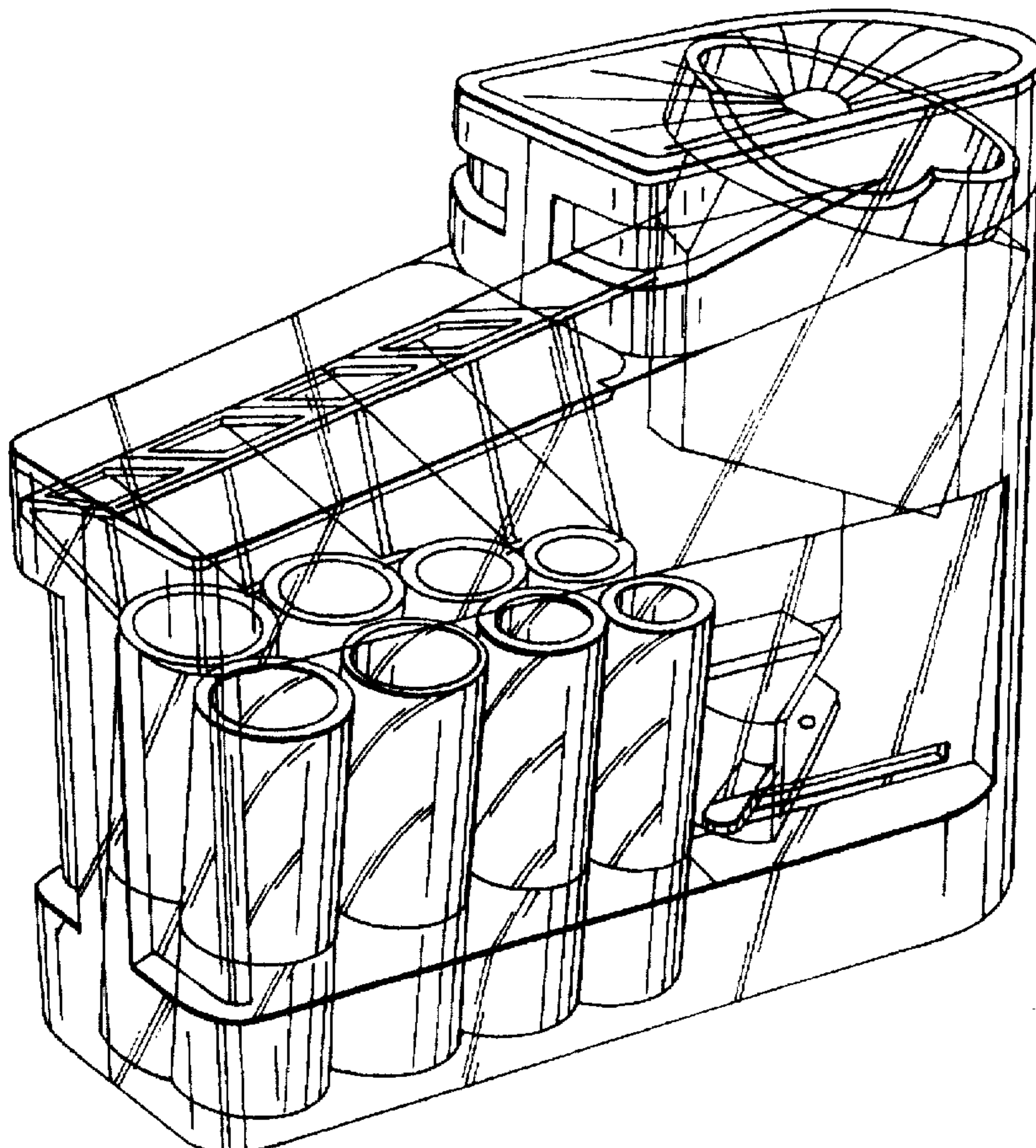


Fig. 1

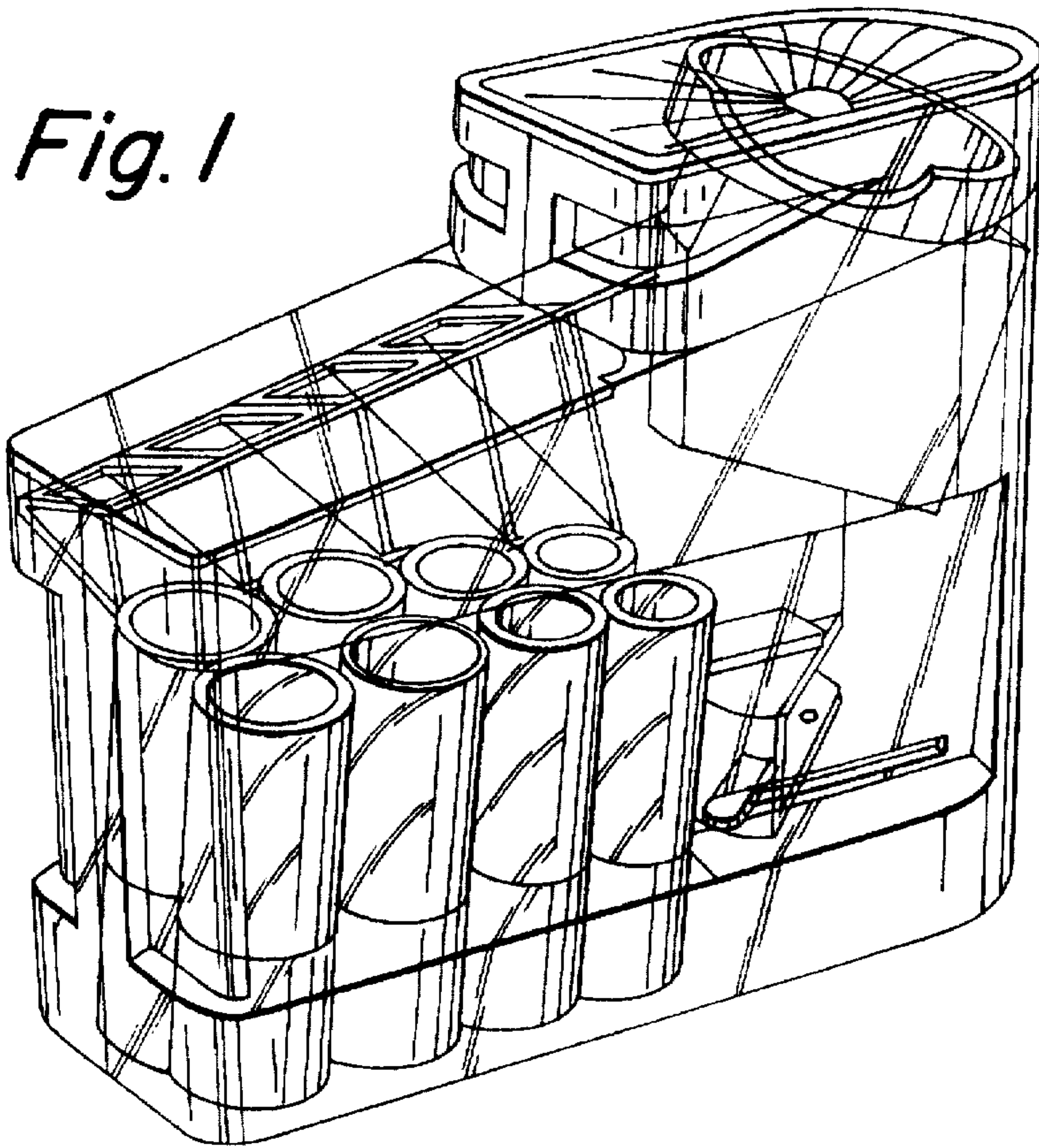
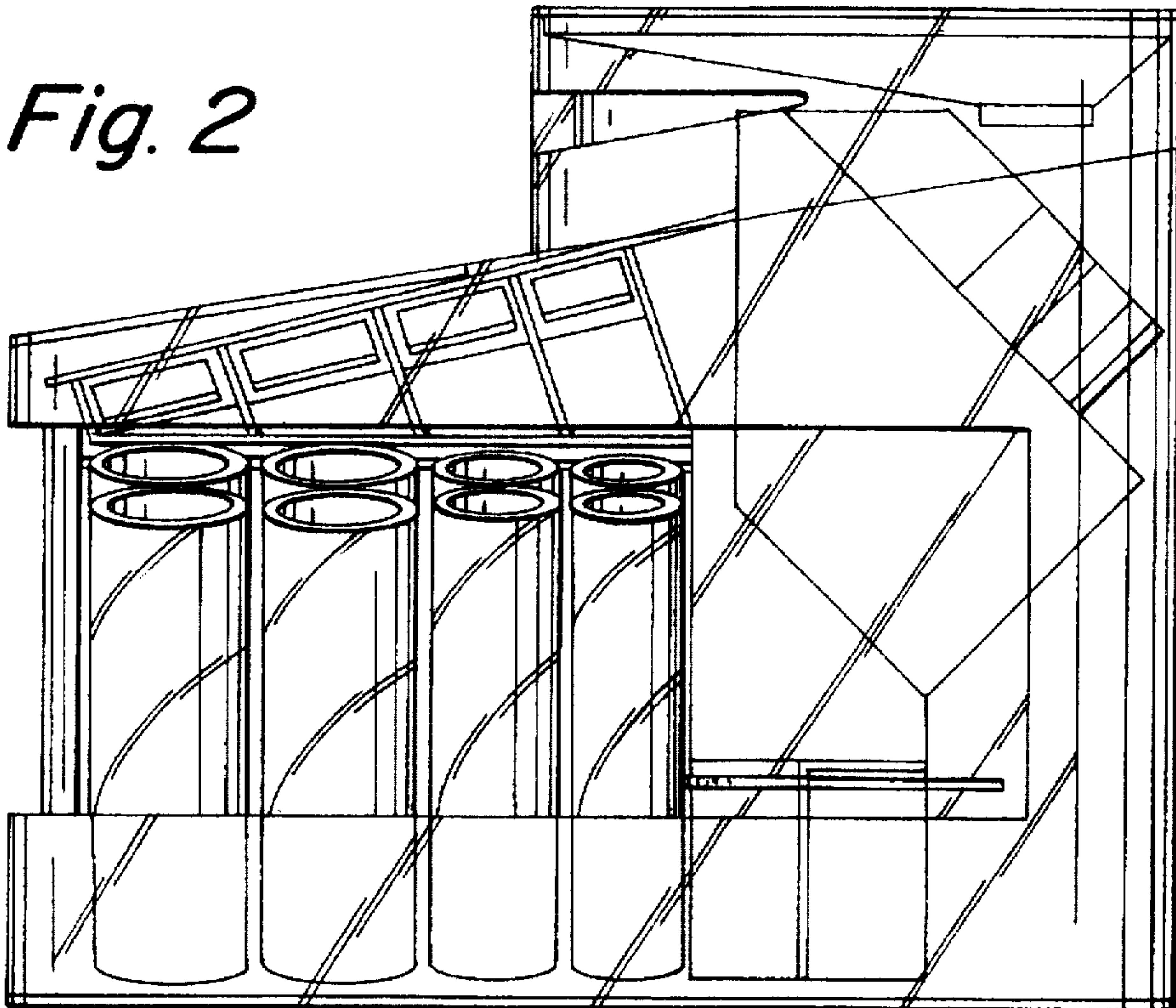


Fig. 2



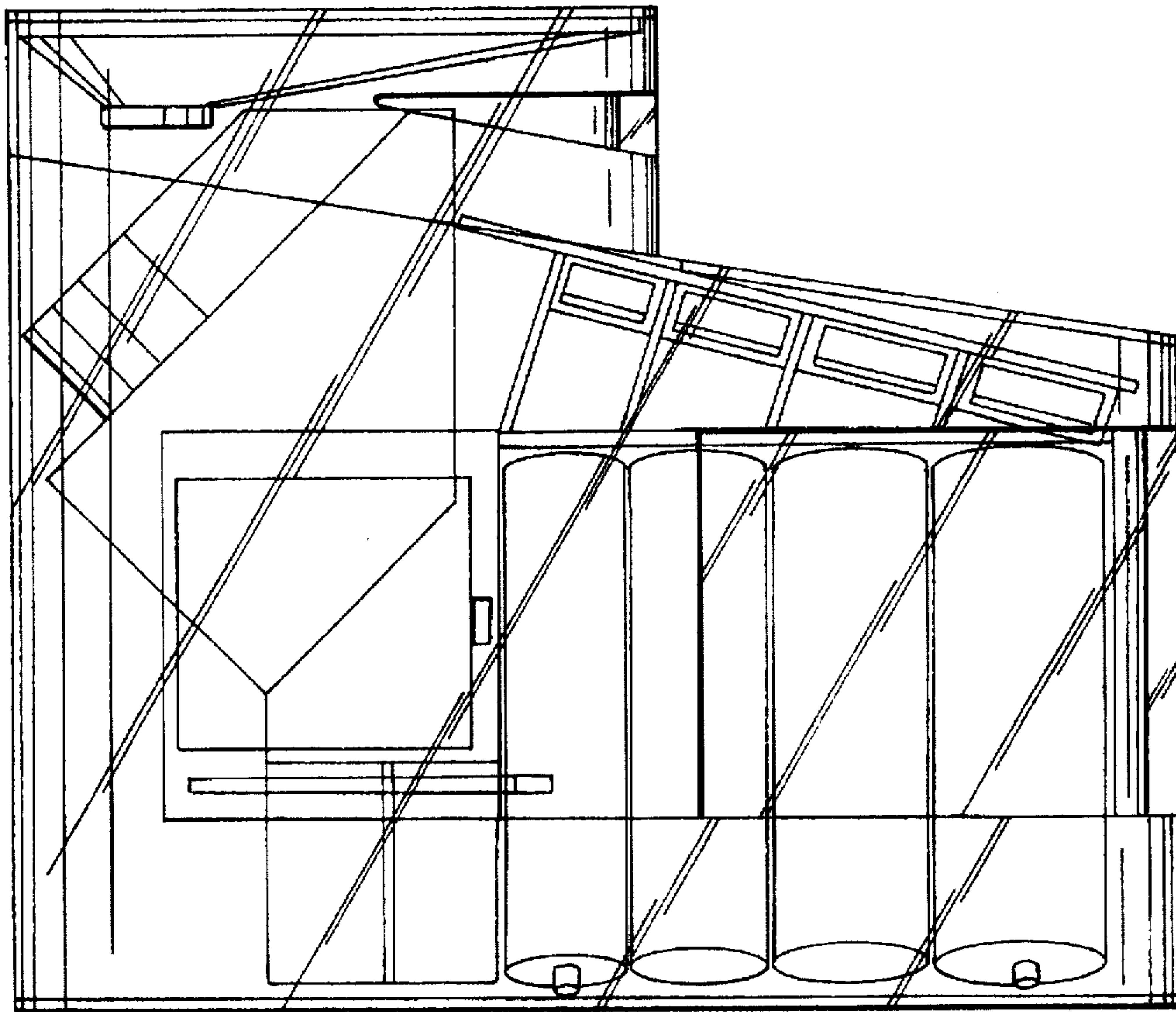


Fig. 3

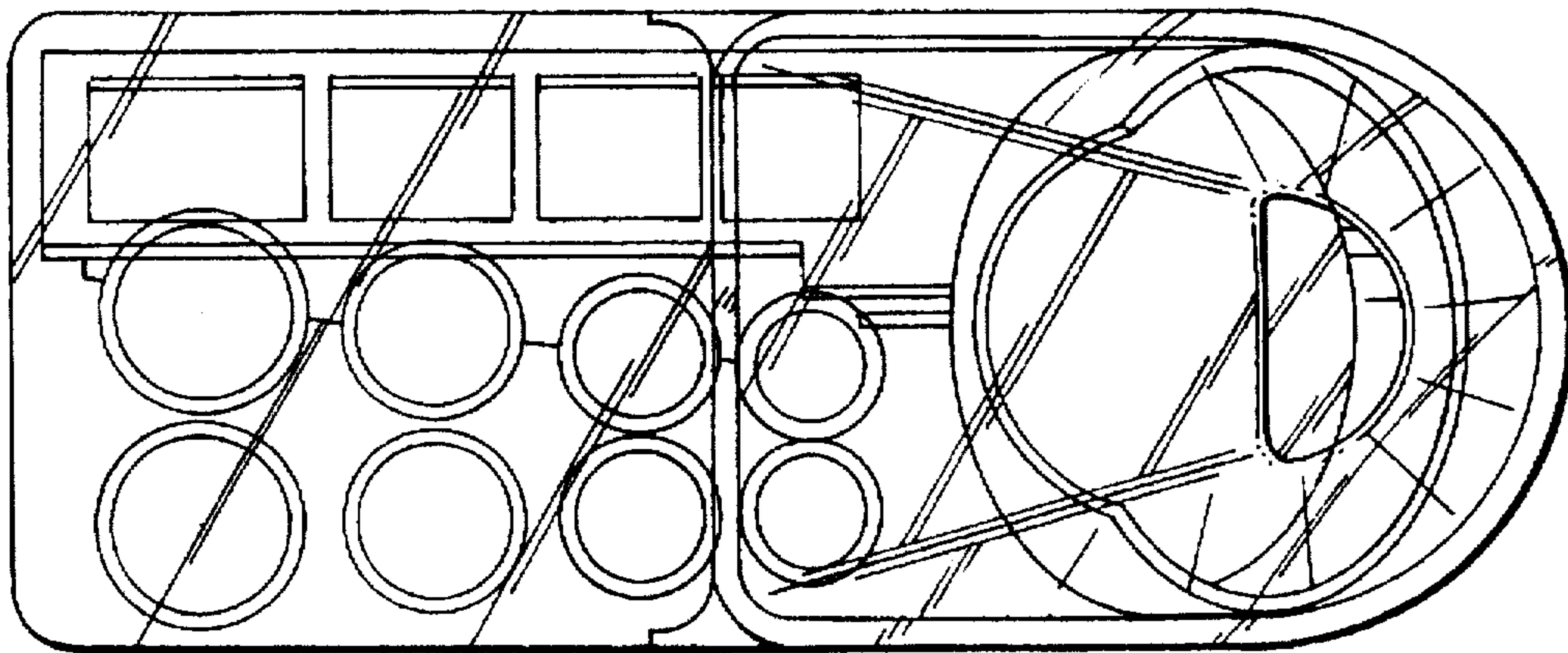


Fig. 4

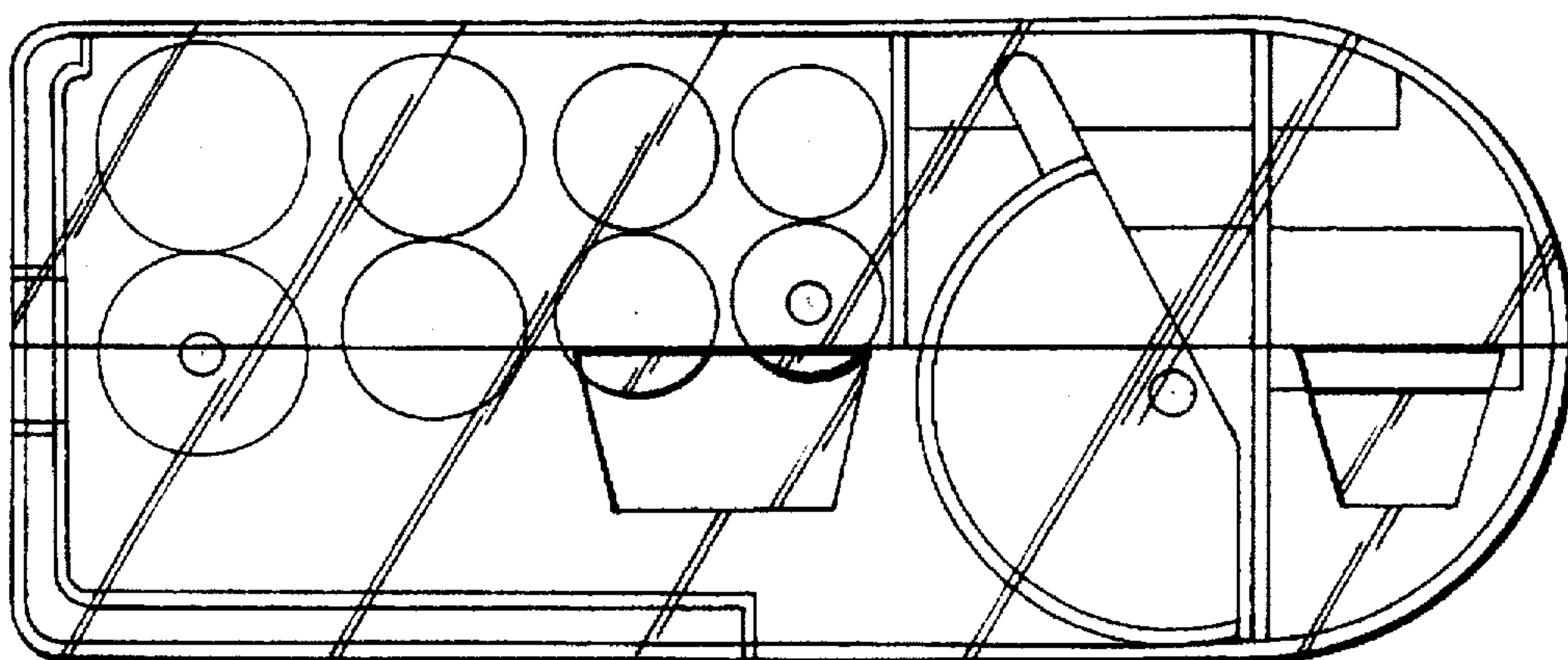


Fig. 5

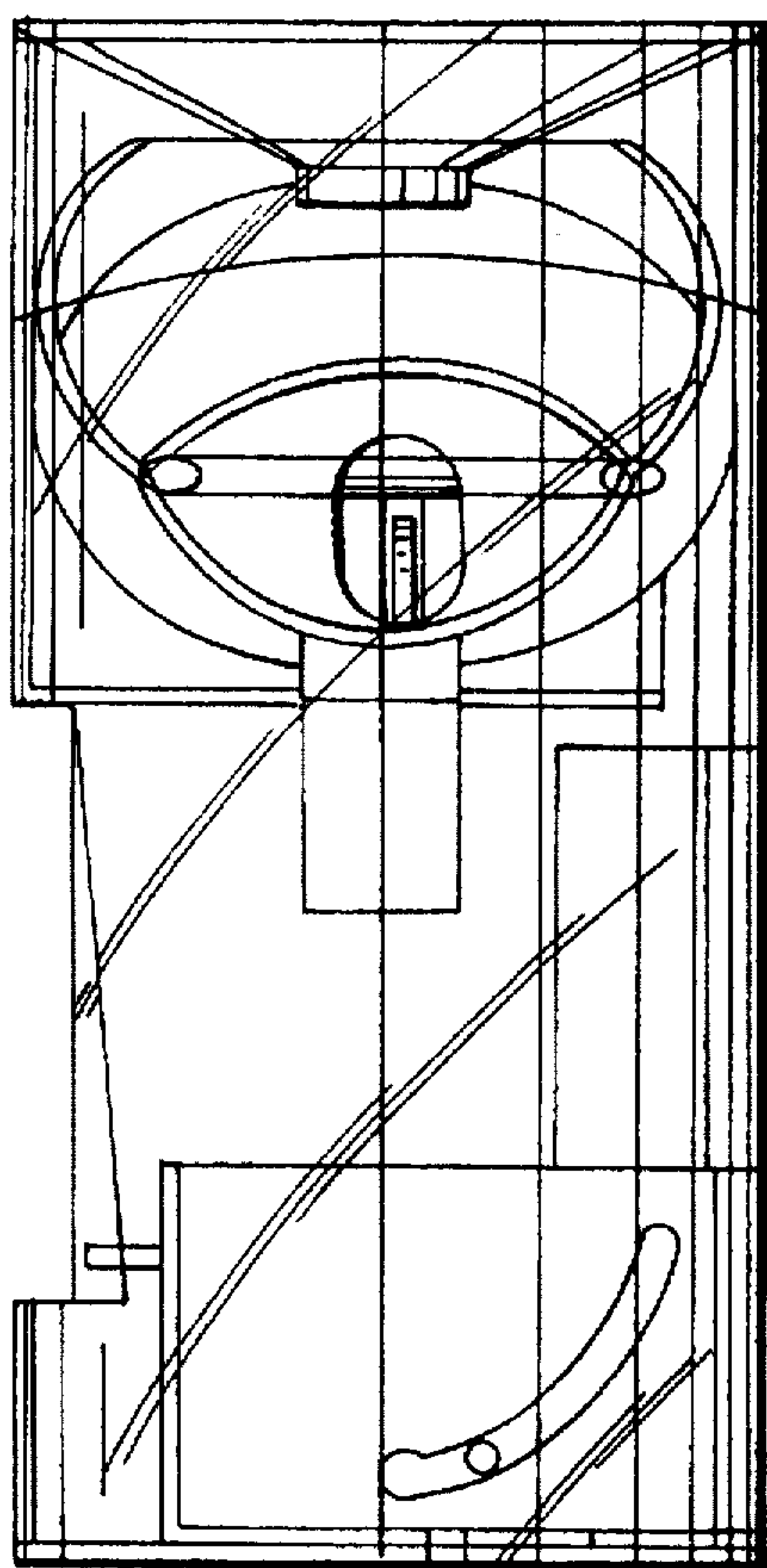


Fig. 6

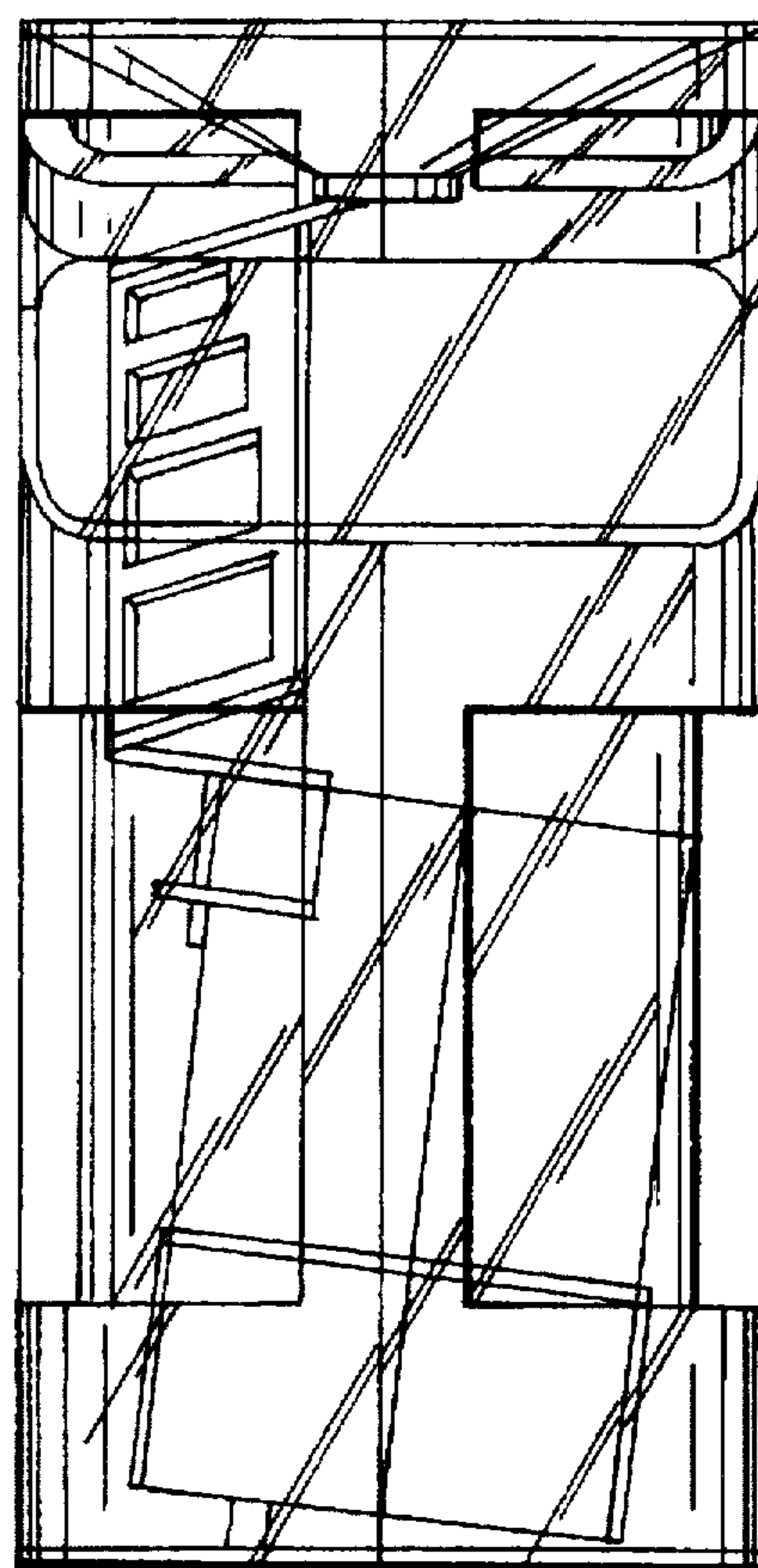


Fig. 7