



US00D393530S

United States Patent [19] Perkitny

[11] Patent Number: **Des. 393,530**
[45] Date of Patent: ****Apr. 14, 1998**

[54] **COIN BANK**
[75] Inventor: **Jerzy Perkitny, Bay Village, Ohio**
[73] Assignee: **Mag-Nif Incorporated, Mentor, Ohio**
[**] Term: **14 Years**

3,387,616 6/1968 Bortz et al. 446/104 R
3,410,385 11/1968 Freet et al. .
4,479,502 10/1984 Iversen .
4,511,341 4/1985 Spirk, Jr. et al. .
4,987,990 1/1991 Perkitny .
5,122,093 6/1992 Perkitny .
5,474,496 12/1995 Perkitny 446/10 X

[21] Appl. No.: **66,509**
[22] Filed: **Feb. 12, 1997**

FOREIGN PATENT DOCUMENTS

2130779 6/1984 United Kingdom .

[51] **LOC (6) Cl.** **99-00**
[52] **U.S. Cl.** **D99/34**
[58] **Field of Search** **D99/34, 35; D20/9;**
446/8, 9, 10, 11, 12, 13; **D21/150, 151,**
160, 166; **232/5, 14, 15; D18/3; 453/9,**
10, 12; **221/121, 127, 274**

OTHER PUBLICATIONS

MAGNIF Just For Fun catalog entitled "Magnif Banks
Puzzles Games Gifts" (8 double sided sheets) (1994).

Primary Examiner—Paula A. Mortimer
Attorney, Agent, or Firm—Fay, Sharpe, Beall, Fagan,
Minnich & McKee

[56] References Cited

U.S. PATENT DOCUMENTS

D. 239,960 5/1976 Miyazaki D99/35
D. 241,866 10/1976 Miyazaki D99/35
D. 270,868 10/1983 Spirk, Jr. et al. .
D. 283,075 3/1986 Spirk, Jr. et al. .
D. 288,499 2/1987 Wan .
D. 296,029 5/1988 Knox D99/35
D. 347,929 6/1994 Perkitny .
D. 359,152 6/1995 Adams et al. D99/34
D. 378,464 3/1997 Perkitny D99/34
3,161,351 12/1964 Lerner .
3,242,931 3/1966 Wandrey .
3,313,477 4/1967 Brown .
3,338,250 8/1967 Mehelich .

[57] CLAIM

The ornamental design for a coin bank, as shown.

DESCRIPTION

FIG. 1 is a perspective view of a coin bank showing my new design;
FIG. 2 is a front elevational view thereof;
FIG. 3 is a side elevational view thereof from the left side;
FIG. 4 is a rear elevational view thereof;
FIG. 5 is a side elevational view thereof from the right side;
FIG. 6 is a top plan view thereof; and,
FIG. 7 is a bottom view thereof.

1 Claim, 4 Drawing Sheets

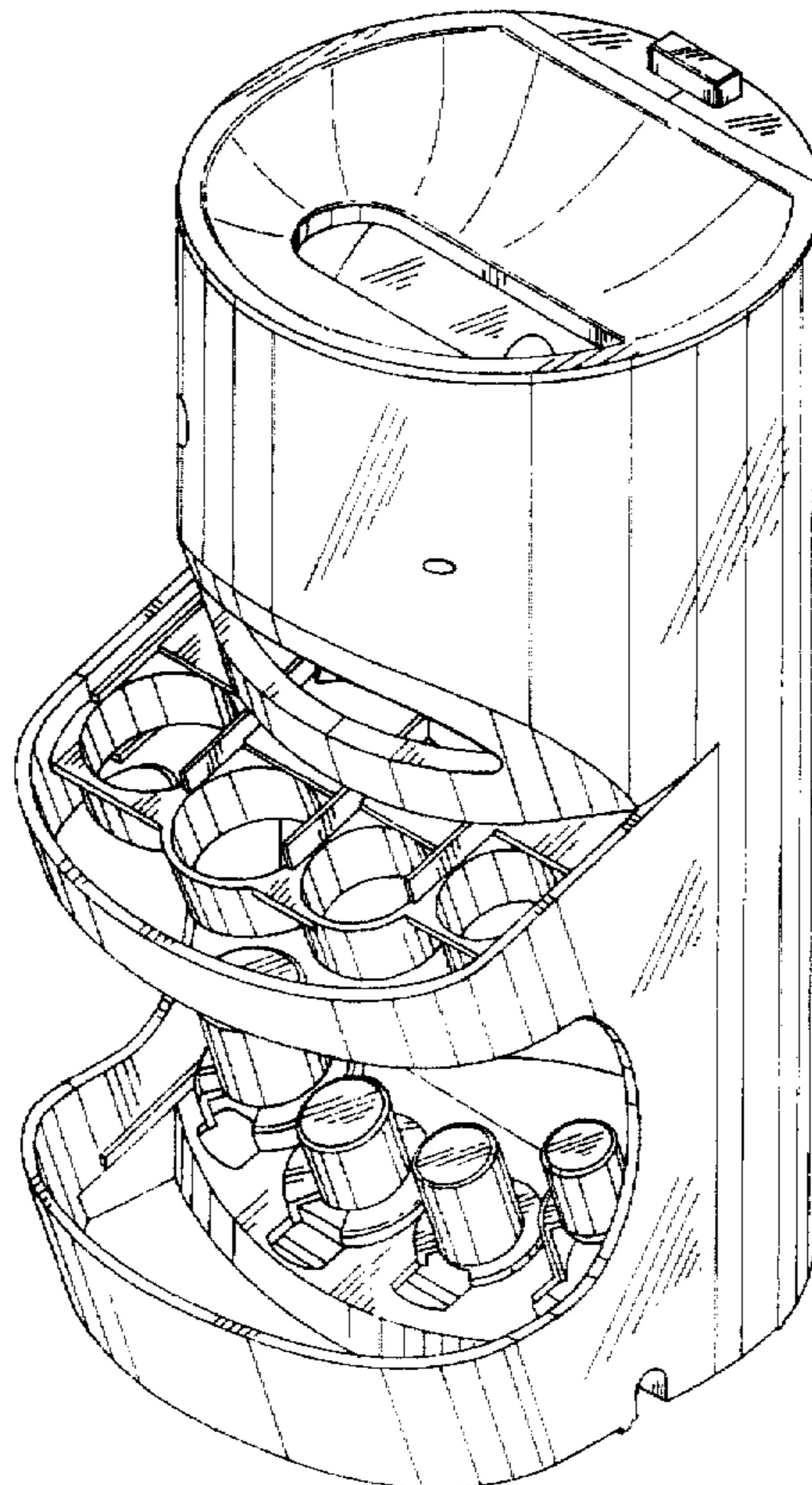
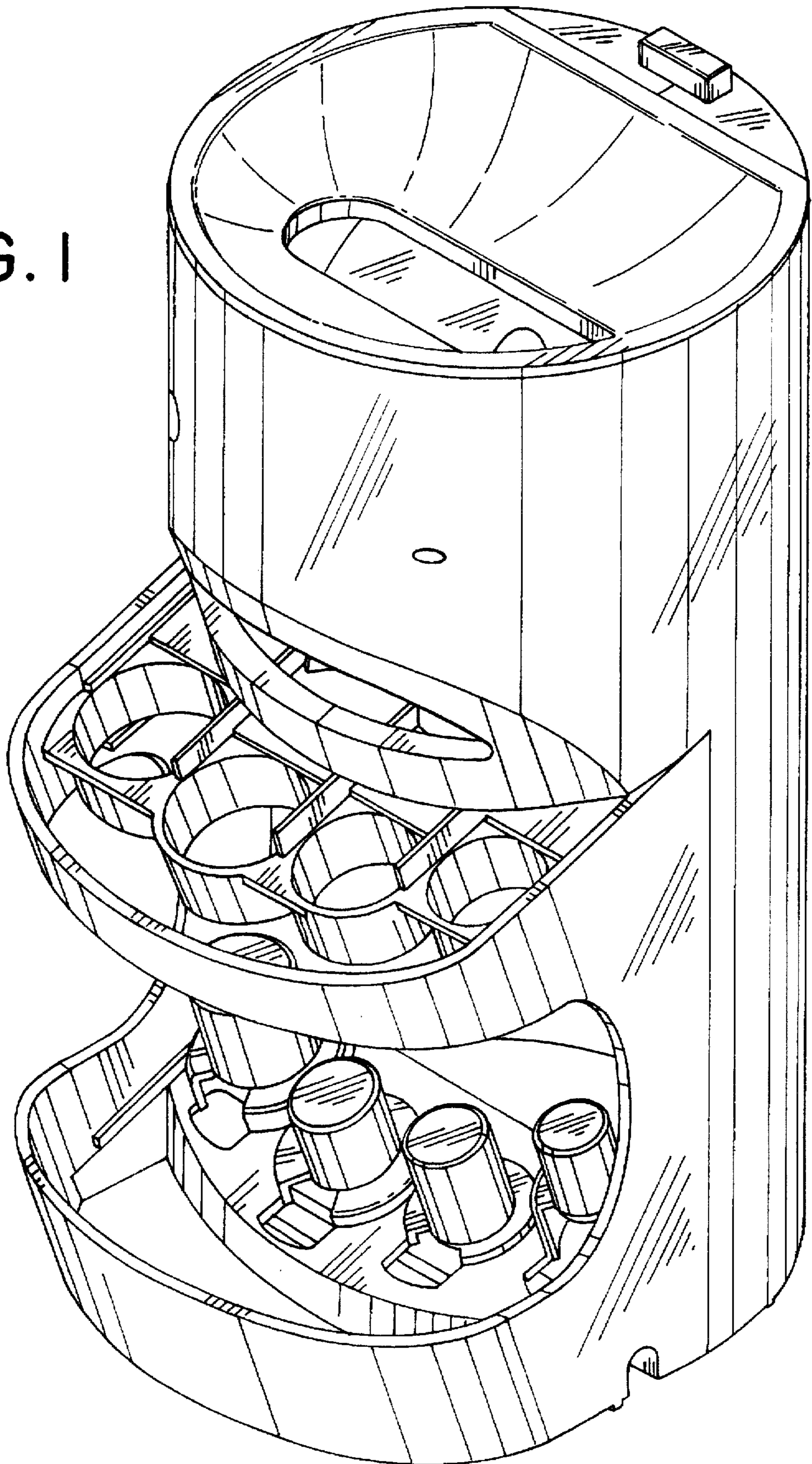


FIG. 1



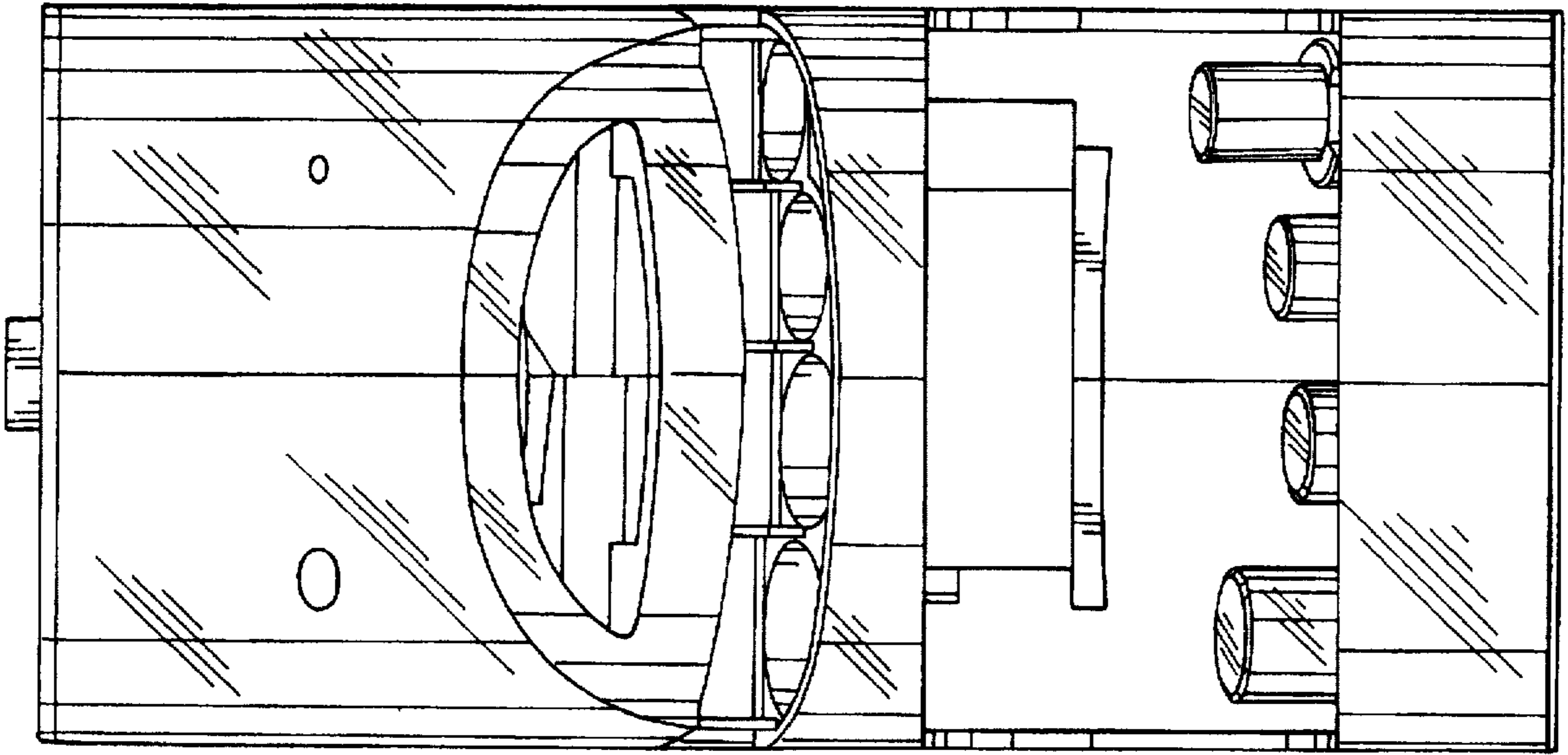


FIG. 2

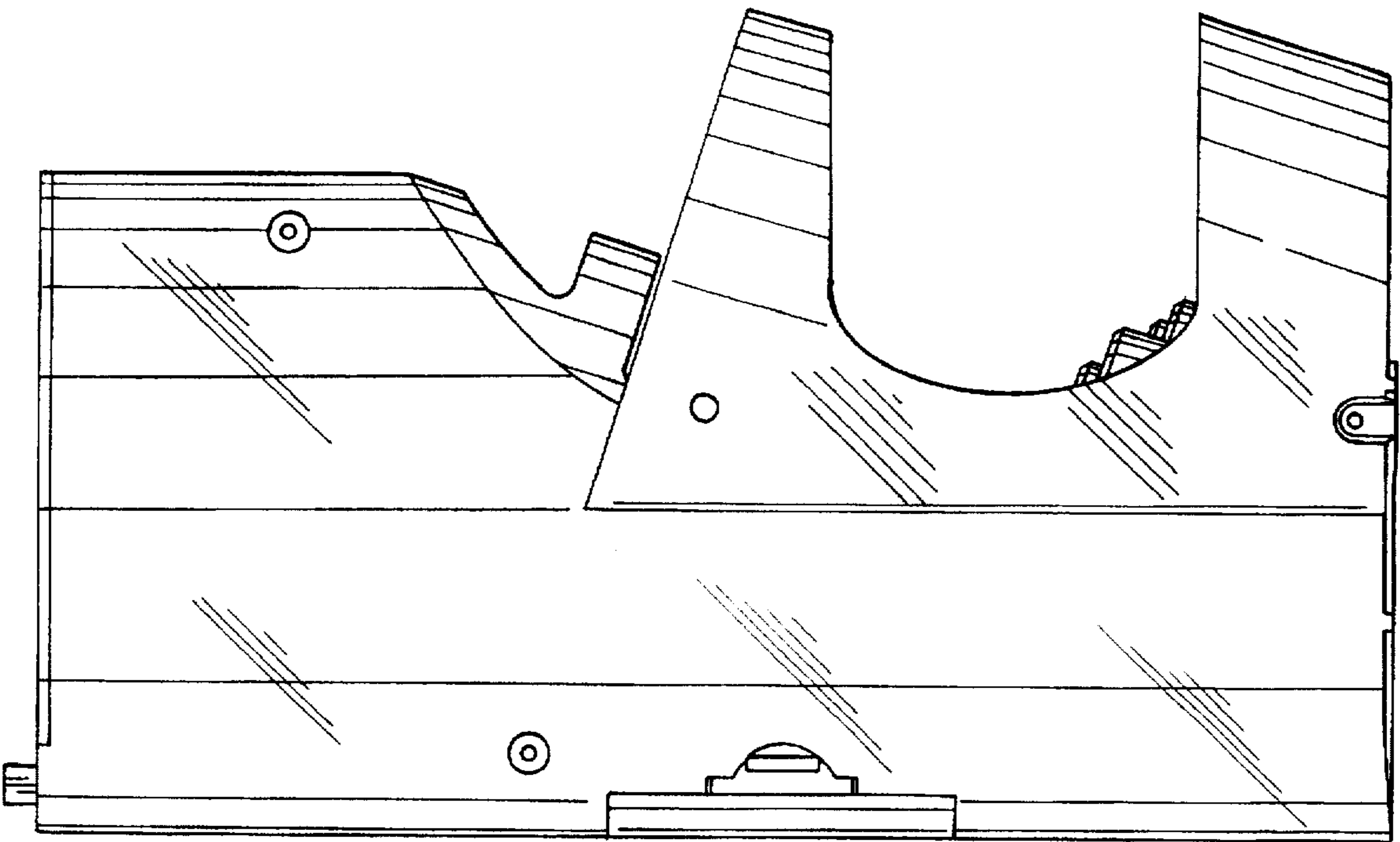


FIG. 3

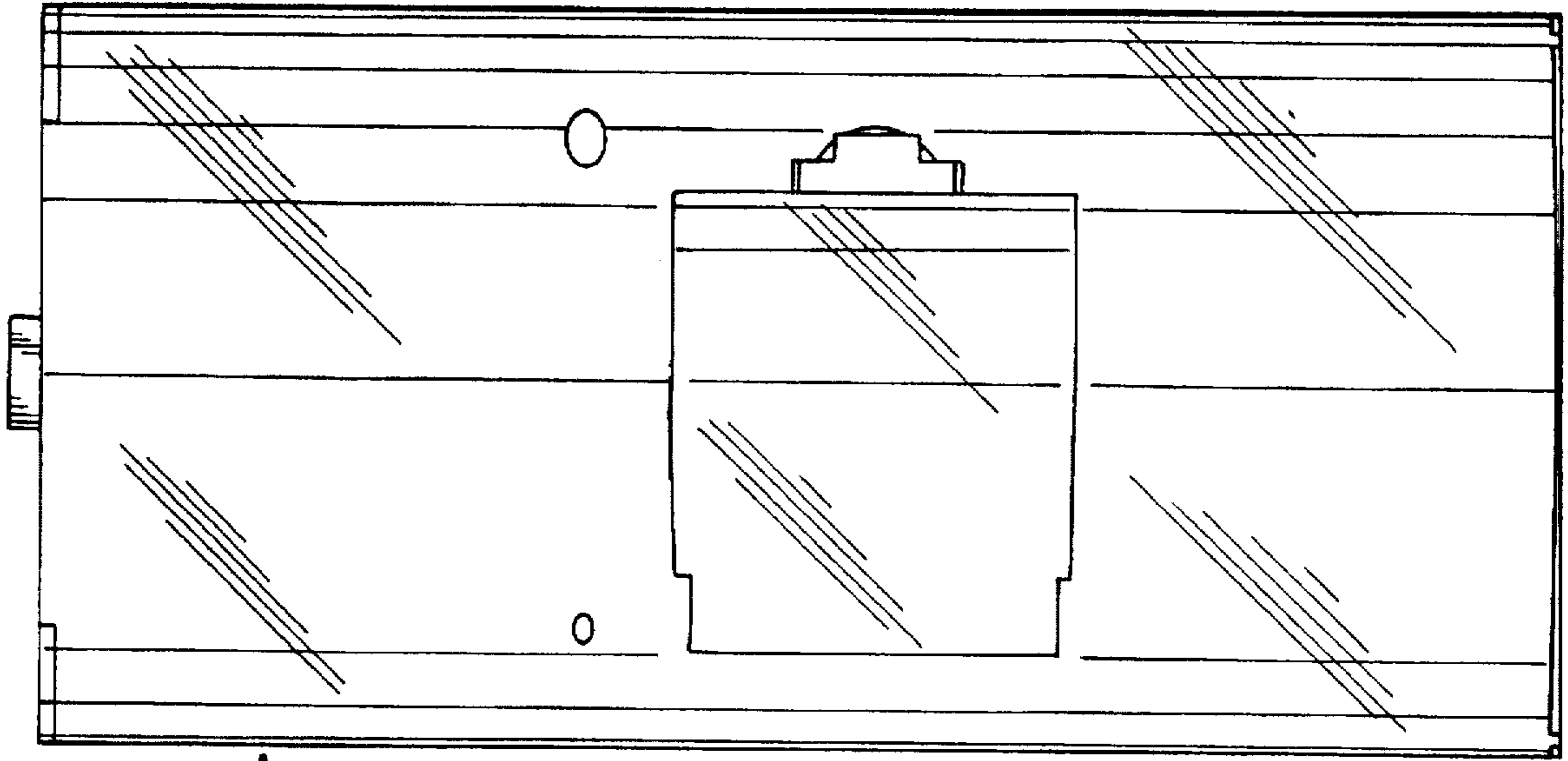


FIG. 4

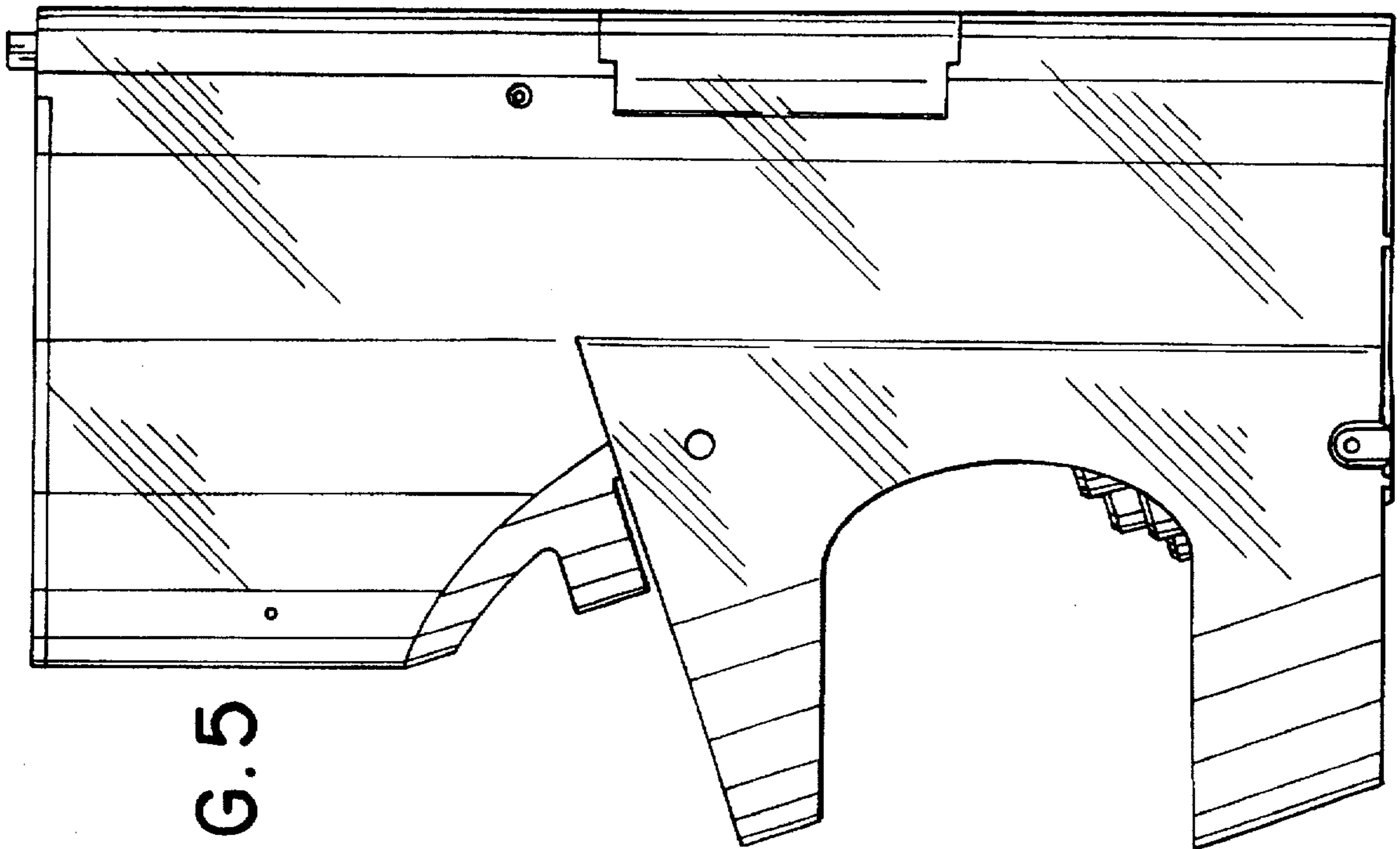


FIG. 5

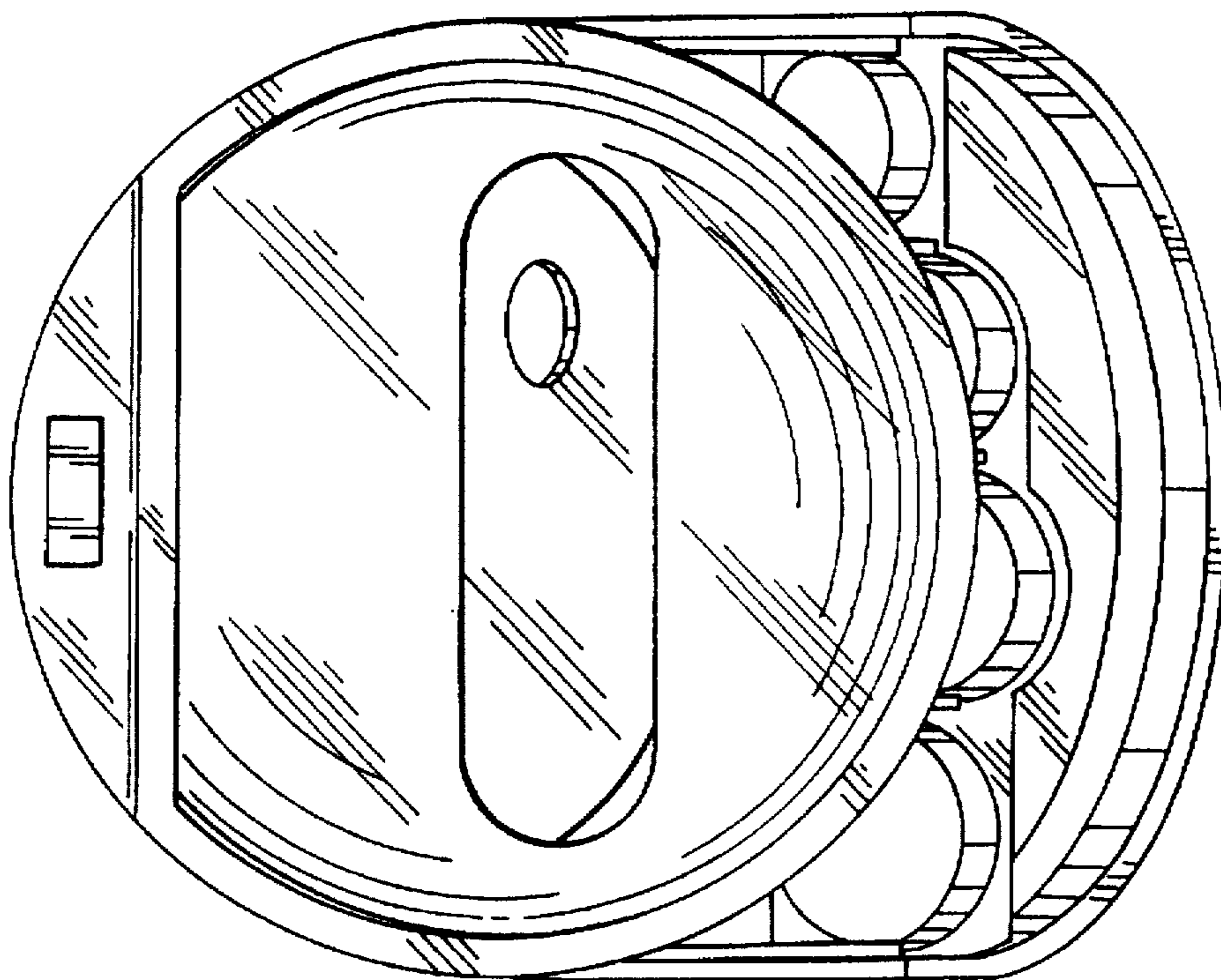


FIG. 6

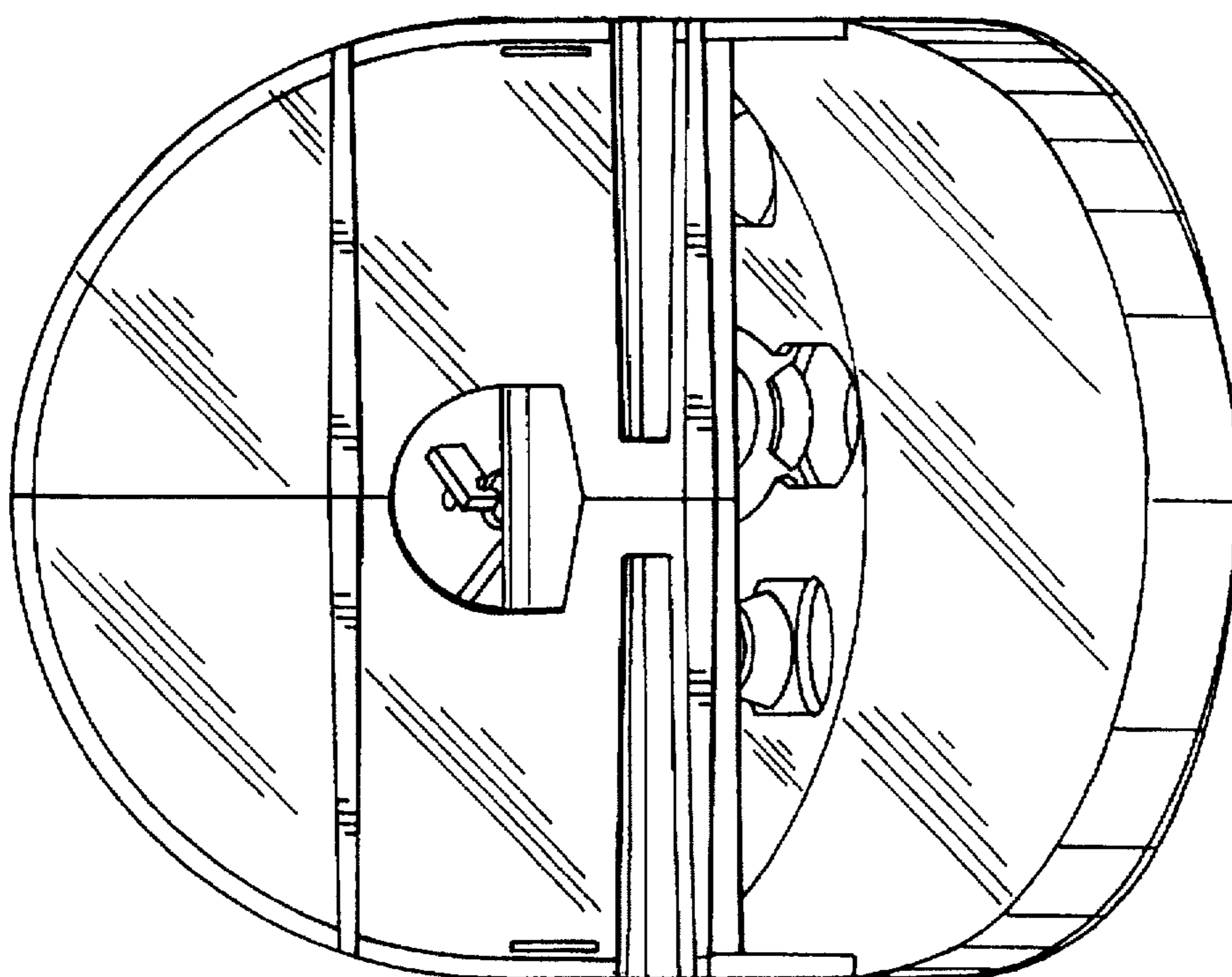


FIG. 7