



US00D393529S

United States Patent [19]

Johnson

[11] Patent Number: **Des. 393,529**

[45] Date of Patent: ****Apr. 14, 1998**

[54] **PERIPHERAL CABINET FOR NCR 587X TERMINALS**

[75] Inventor: **Timothy P. Johnson**, Centerville, Ohio

[73] Assignee: **NCR Corporation**, Dayton, Ohio

[**] Term: **14 Years**

[21] Appl. No.: **69,985**

[22] Filed: **Apr. 21, 1997**

[51] LOC (6) Cl. **14-02**

[52] U.S. Cl. **D99/28**

[58] Field of Search D99/28; D20/1-6;
D6/432, 433, 434, 435, 436, 437, 438,
439; D25/1, 16; 312/257.1, 258, 263, 264;
194/350; D14/100, 130, 102, 146, 105,
106; D13/162, 184, 199; 235/380, 381,
482

[56] **References Cited**

U.S. PATENT DOCUMENTS

- D. 266,844 11/1982 Prinzhorn D99/28 X
- D. 288,441 2/1987 Lalonde D99/284 R

- D. 303,439 9/1989 Savio et al. D99/28
- D. 348,263 6/1994 Veeneman D99/28 X
- D. 349,113 7/1994 Massey et al. D14/130 X
- D. 377,170 1/1997 Wilson D99/28 X
- 4,179,723 12/1979 Spencer D99/28 X
- 4,818,854 4/1989 Davies et al. 235/381
- 4,902,881 2/1990 Janku 235/380 X

Primary Examiner—Paula A. Mortimer
Attorney, Agent, or Firm—Michael Chan

[57] **CLAIM**

The ornamental design for a peripheral cabinet for NCR 587X terminals, as shown and described.

DESCRIPTION

FIG. 1 is a right front perspective view of a peripheral cabinet for NCR 587X Terminals showing my new design. the undisclosed rear, bottom, and right side do not form part of the claimed design;

FIG. 2 is a left side elevational view thereof; and,

FIG. 3 is a front elevational view thereof.

The broken line showing of the NCR 587X Terminal in FIGS. 1, 2, and 3 is for illustrative purposes only and forms no part of the claimed design.

1 Claim, 3 Drawing Sheets

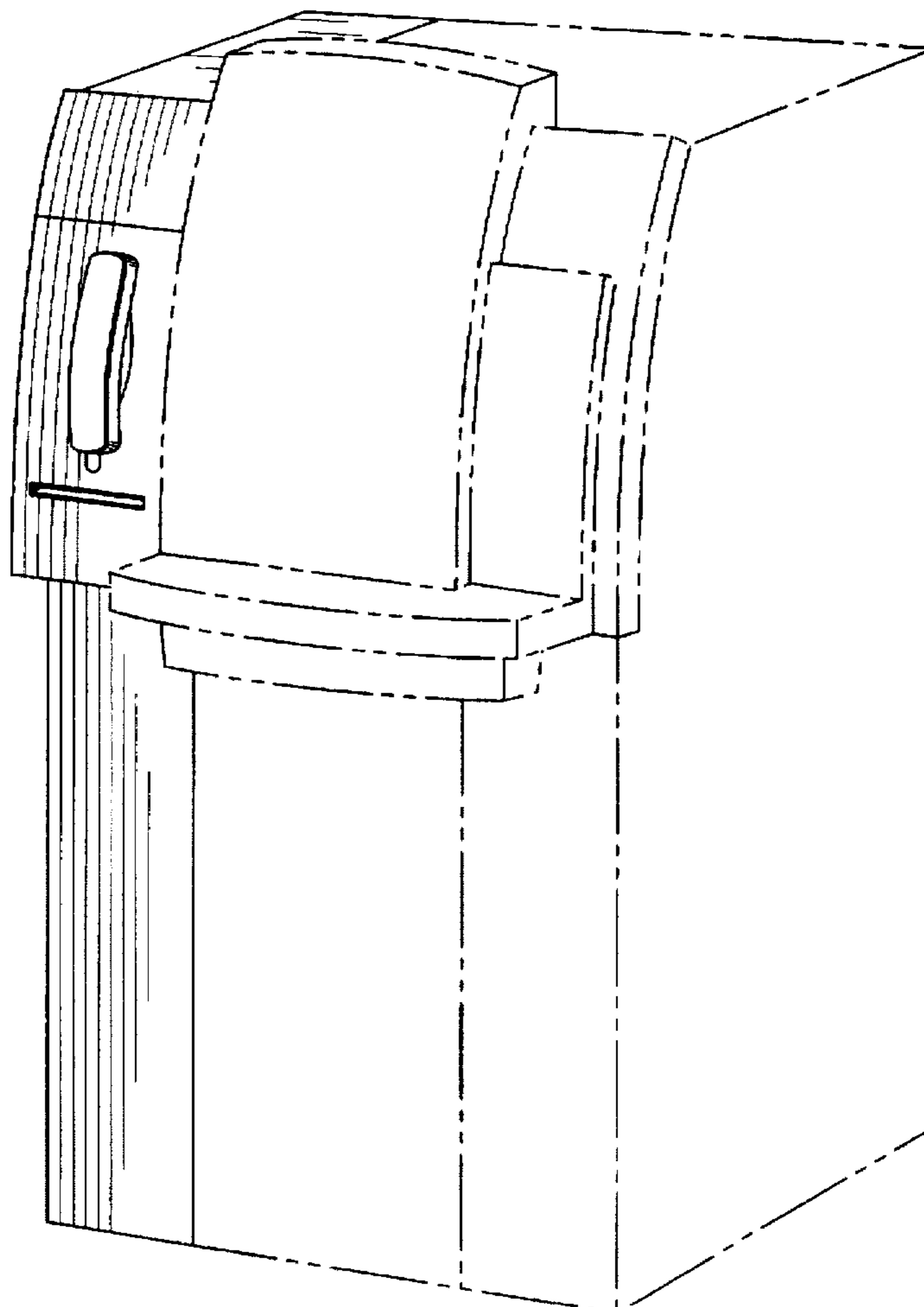


FIG. 1

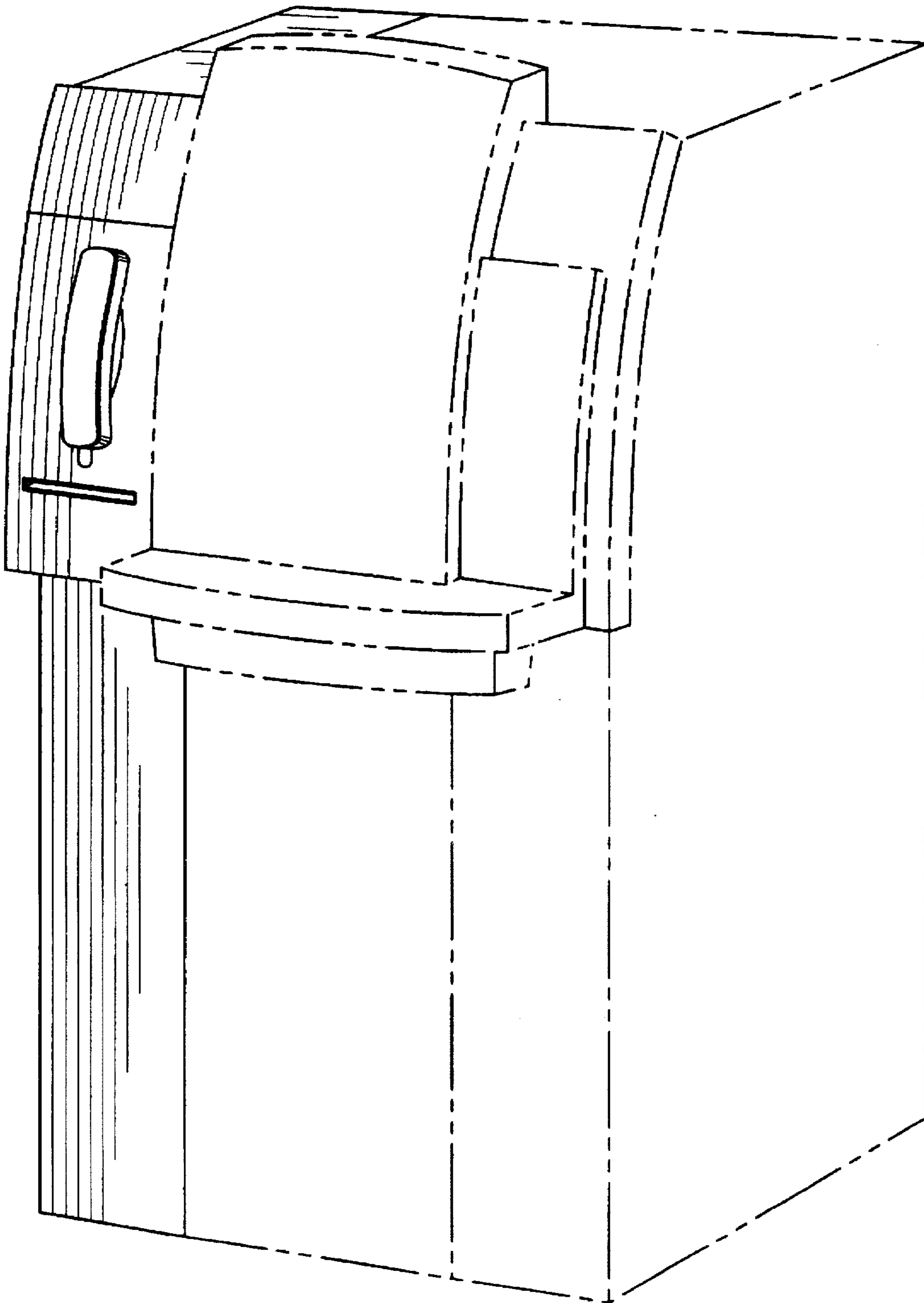


FIG. 2

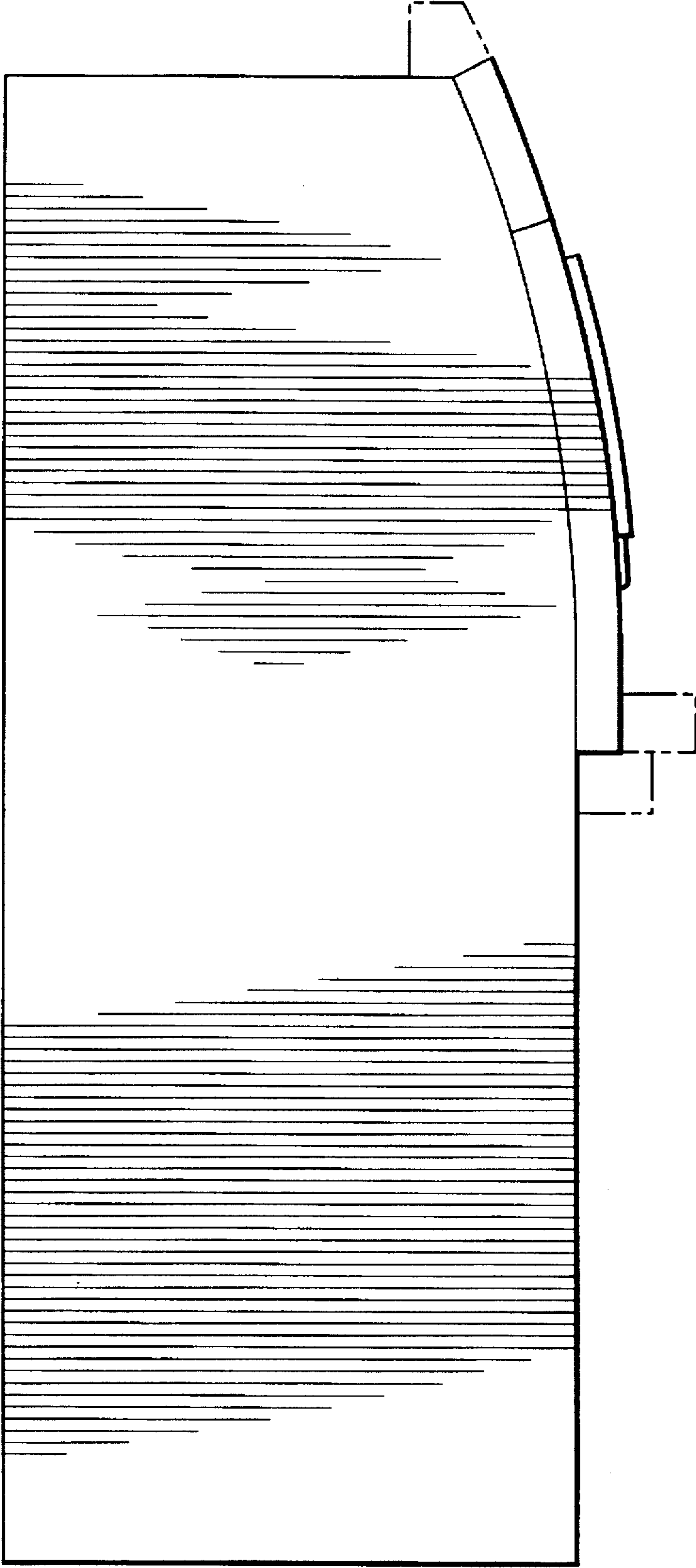


FIG. 3

