



US00D393522S

United States Patent [19]

[11] Patent Number: **Des. 393,522**

Pettis et al.

[45] Date of Patent: ****Apr. 14, 1998**

[54] **PORTABLE MULTI-COMPONENT CHEMICAL STORAGE AND MIXING TANK**

[75] Inventors: **Billy R. Pettis**, Durham; **Randy L. Vaughn**, Chapel Hill; **Richard E. Dombkowski**; **Brad S. Filson**, both of Cary, all of N.C.

[73] Assignee: **BASF Corporation**, Mt. Olive, N.J.

[**] Term: **14 Years**

[21] Appl. No.: **61,355**

[22] Filed: **Oct. 22, 1996**

[51] LOC (6) Cl. **09-02**

[52] U.S. Cl. **D34/39**

[58] Field of Search **D34/39; 220/565, 220/4.12**

[56] **References Cited**

U.S. PATENT DOCUMENTS

D. 228,976 10/1973 Wilson et al. D34/39
5,450,978 9/1995 Crisp et al. 220/565

Primary Examiner—Doris Clark
Attorney, Agent, or Firm—Nixon & Vanderhye PC

[57] **CLAIM**

The ornamental design for a portable multi-component chemical storage and mixing tank, as shown and described.

DESCRIPTION

FIG. 1 is a front perspective view of the portable multi-component chemical storage and mixing tank according to this invention showing our new design therefor;

FIG. 2 is a front elevational view of the portable multi-component chemical storage and mixing tank shown in FIG. 1;

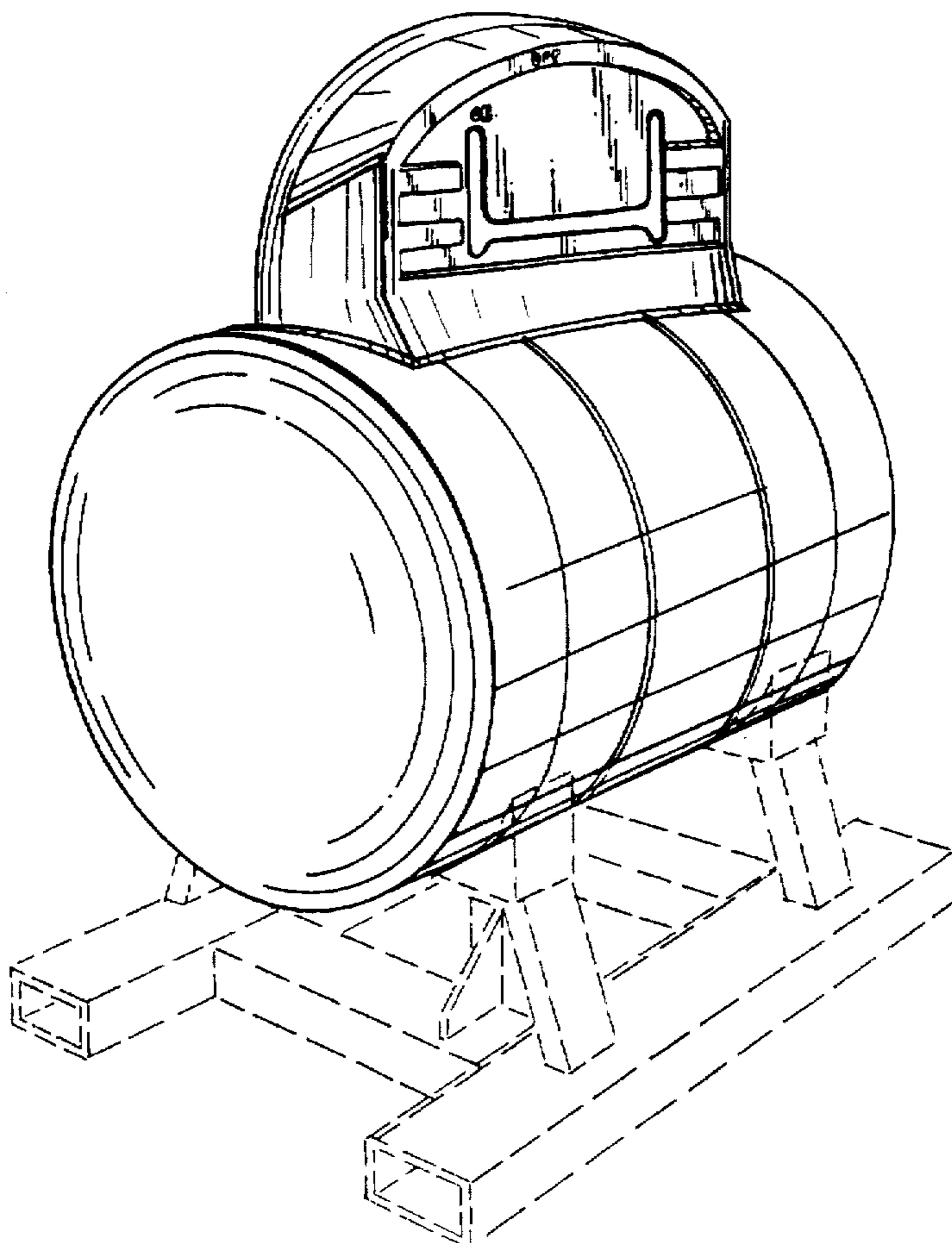
FIG. 3 is a rear elevational view of the portable multi-component chemical storage and mixing tank shown in FIG. 1;

FIG. 4 is a top plan view of the portable multi-component chemical storage and mixing tank shown in FIG. 1, the bottom plan view thereof being essentially unornamental; and,

FIG. 5 is a right side elevational view of the portable multi-component chemical storage and mixing tank shown in FIG. 1, the left side elevational view being substantially a mirror image thereof;

The broken line showing of the structures in FIG. 1 is for illustrative environmental purposes only and forms no part of our claimed design.

1 Claim, 5 Drawing Sheets



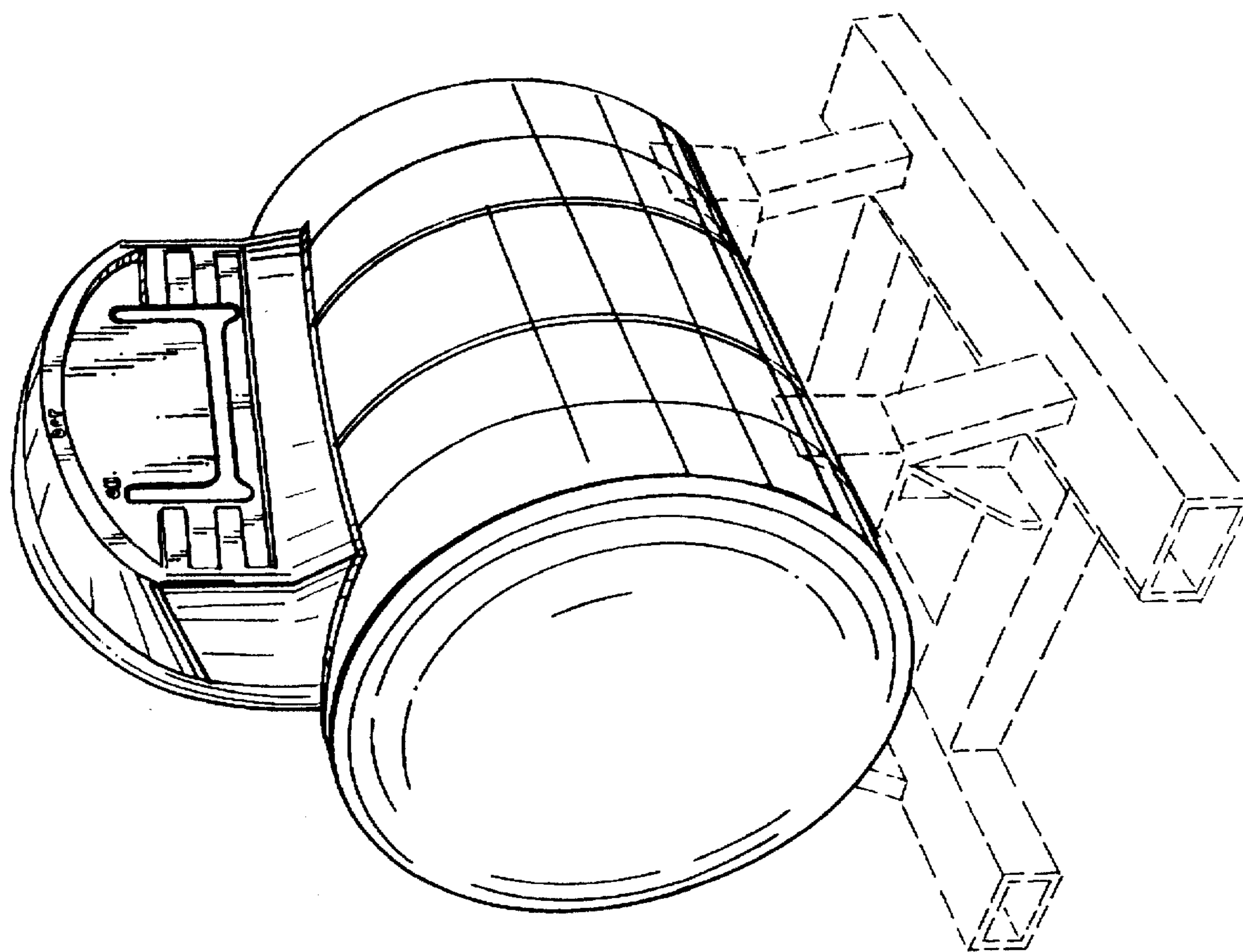


Fig. 1

Fig. 2

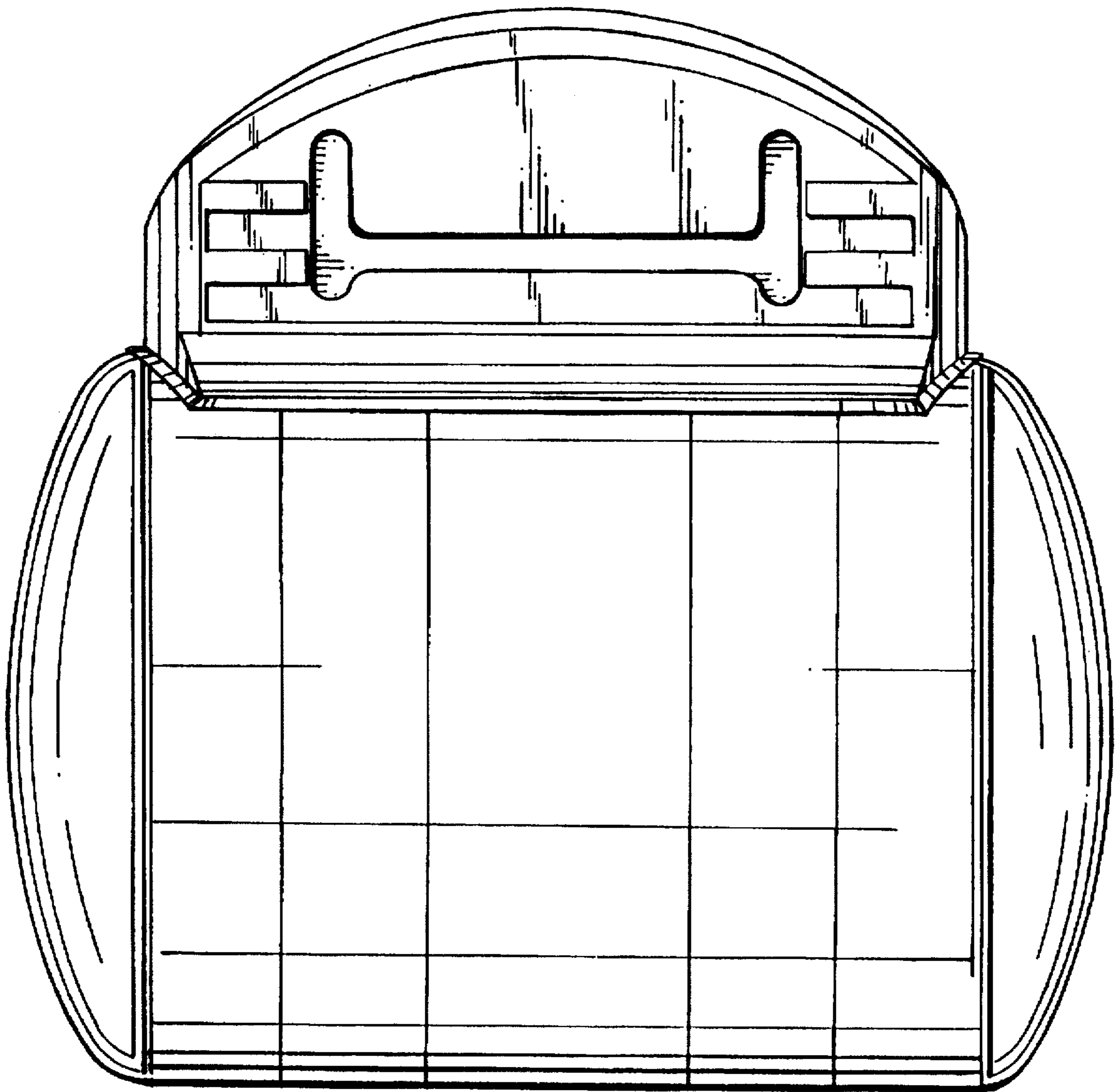


Fig. 3

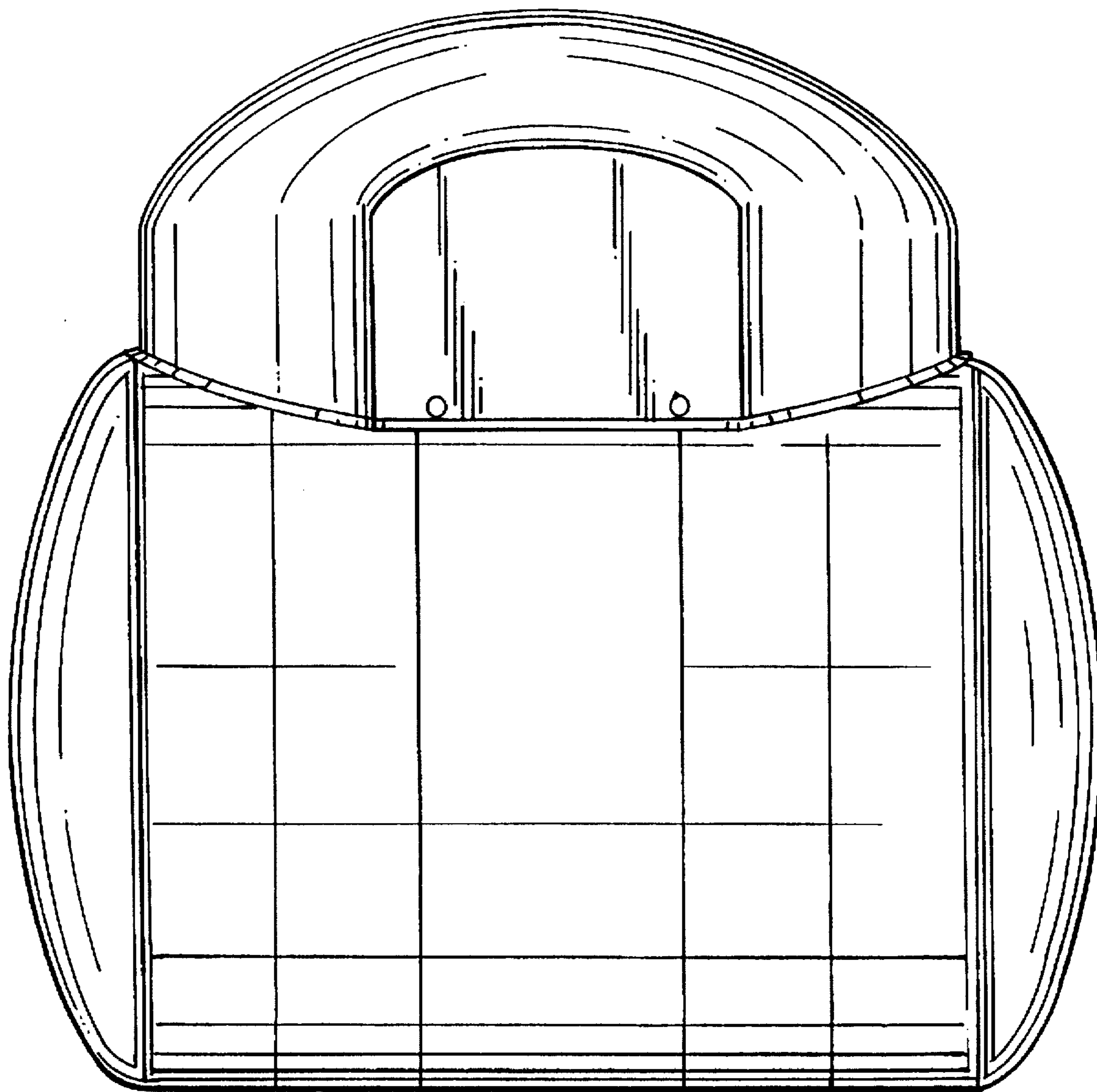


Fig. 4

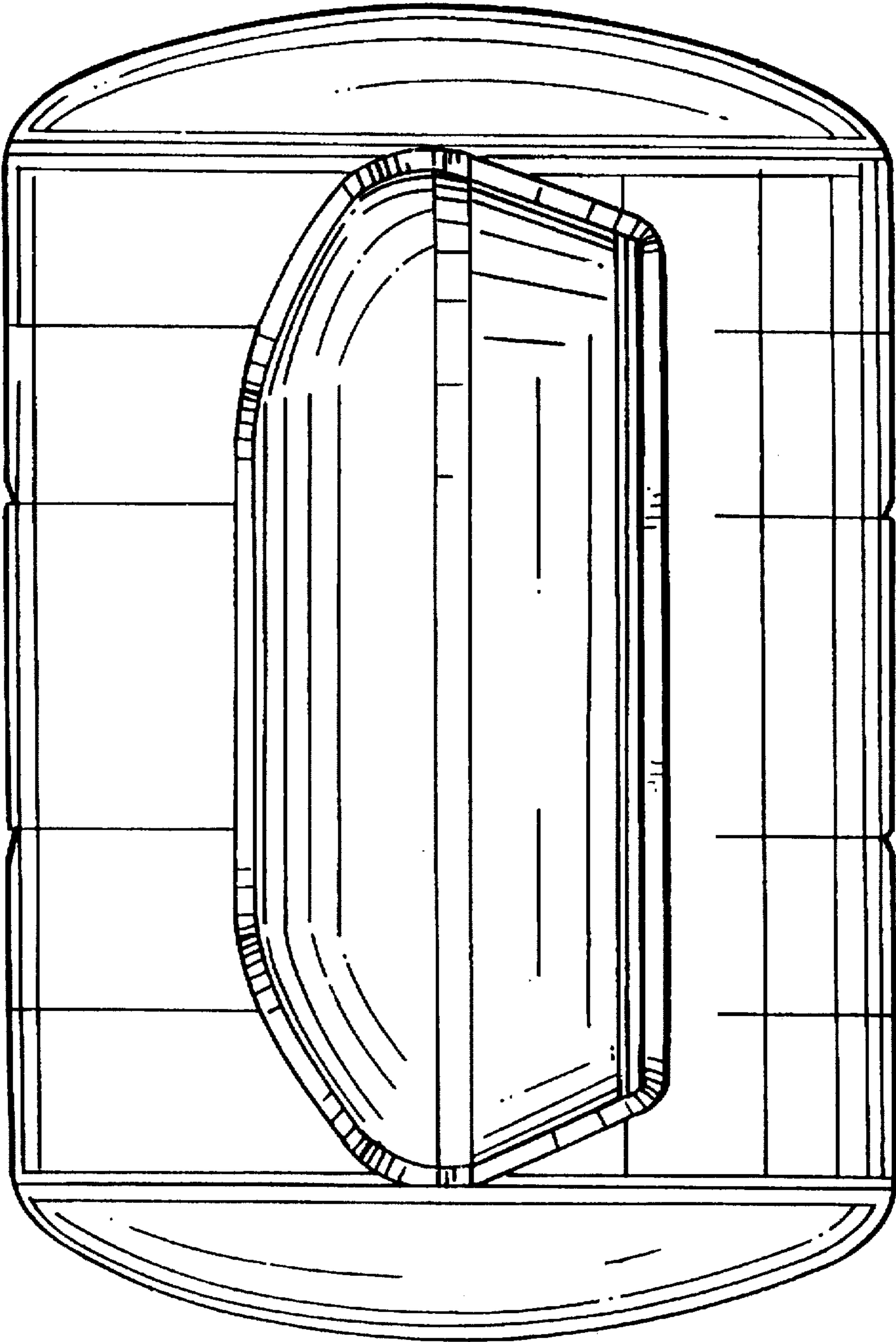


Fig. 5

