



US00D393517S

# United States Patent [19]

Kim et al.

[11] Patent Number: **Des. 393,517**

[45] Date of Patent: **\*\*Apr. 14, 1998**

[54] **FORK LIFT**

[75] Inventors: **Jae Min Kim; Taek Woo Lee**, both of Changwon; **Tae Woon Uhm, Jinhae**, all of Rep. of Korea

[73] Assignee: **Samsung Heavy Industries Co., Ltd.**, Rep. of Korea

[\*\*] Term: **14 Years**

[21] Appl. No.: **64,651**

[22] Filed: **Dec. 23, 1996**

[30] **Foreign Application Priority Data**

Nov. 20, 1996 [KR] Rep. of Korea ..... 9624486

[51] LOC (6) Cl. .... **12-05**

[52] U.S. Cl. .... **D34/34; D34/28; D12/1**

[58] Field of Search ..... **D34/28, 34; D12/1, D12/14; 187/222-237; 414/631-638**

[56] **References Cited**

**U.S. PATENT DOCUMENTS**

- D. 356,201 3/1995 Sato ..... D34/28
- D. 371,669 7/1996 Youn ..... D34/34
- 3,786,902 1/1974 Ramsey ..... 187/227
- 4,750,752 6/1988 Furuta ..... D12/1 X

- 4,770,428 9/1988 Sugiyama ..... D34/28 X
- 5,184,699 2/1993 Aoki ..... 187/224
- 5,524,721 6/1996 Yamauchi ..... 187/222 X

*Primary Examiner*—Nelson C. Holtje  
*Attorney, Agent, or Firm*—Harness, Dickey & Pierce, P.L.C.

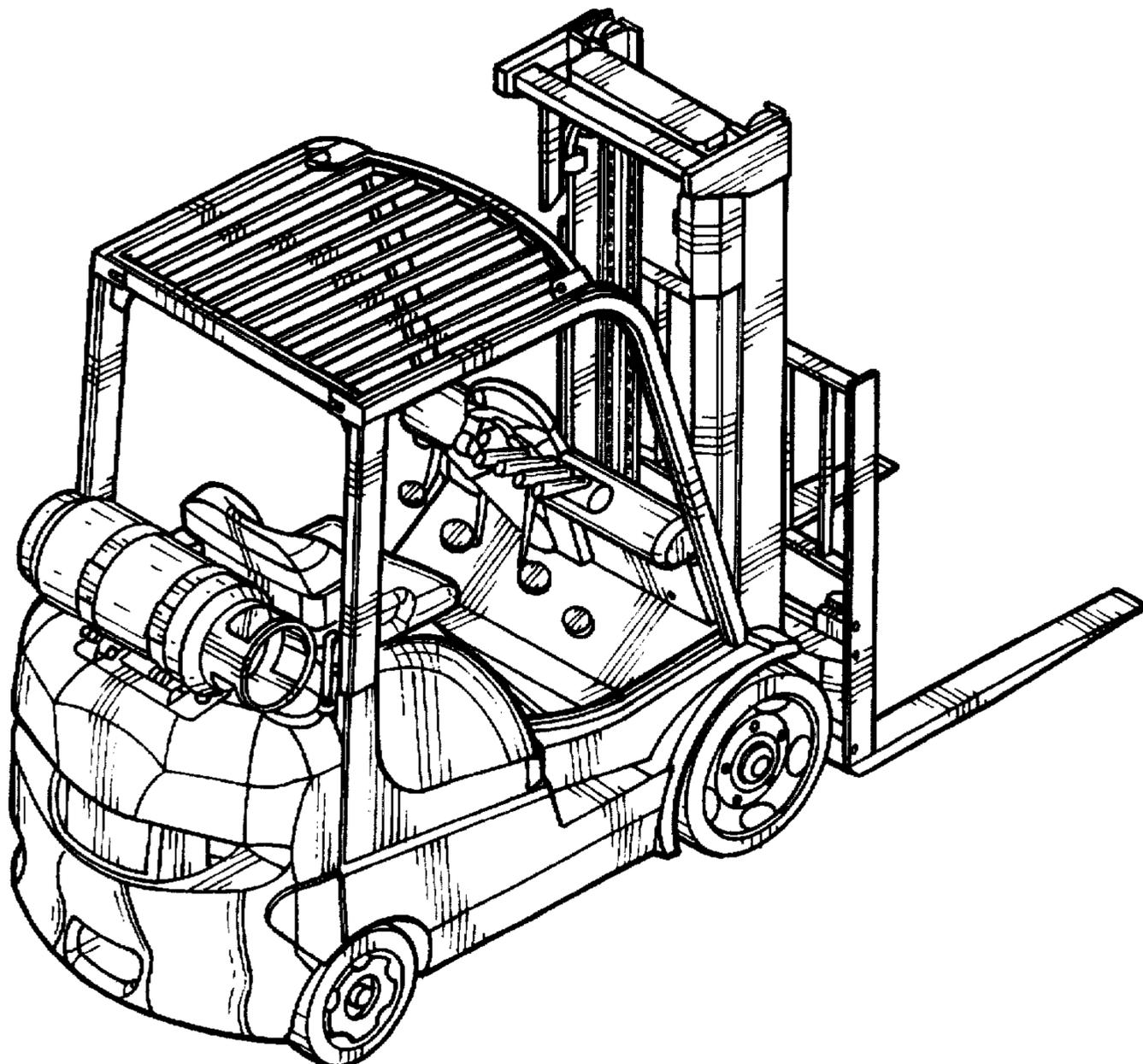
[57] **CLAIM**

The ornamental design for a fork lift, as shown and described.

**DESCRIPTION**

FIG. 1 is a perspective view of a fork lift according to my novel design;  
 FIG. 2 is a front view of a fork lift according to my novel design;  
 FIG. 3 is a rear view of a fork lift according to my novel design;  
 FIG. 4 is a left side view of a fork lift according to my novel design;  
 FIG. 5 is a right side view of a fork lift according to my novel design;  
 FIG. 6 is a plane view of a fork lift according to my novel design; and,  
 FIG. 7 is a bottom view of a fork lift according to my novel design.

**1 Claim, 4 Drawing Sheets**



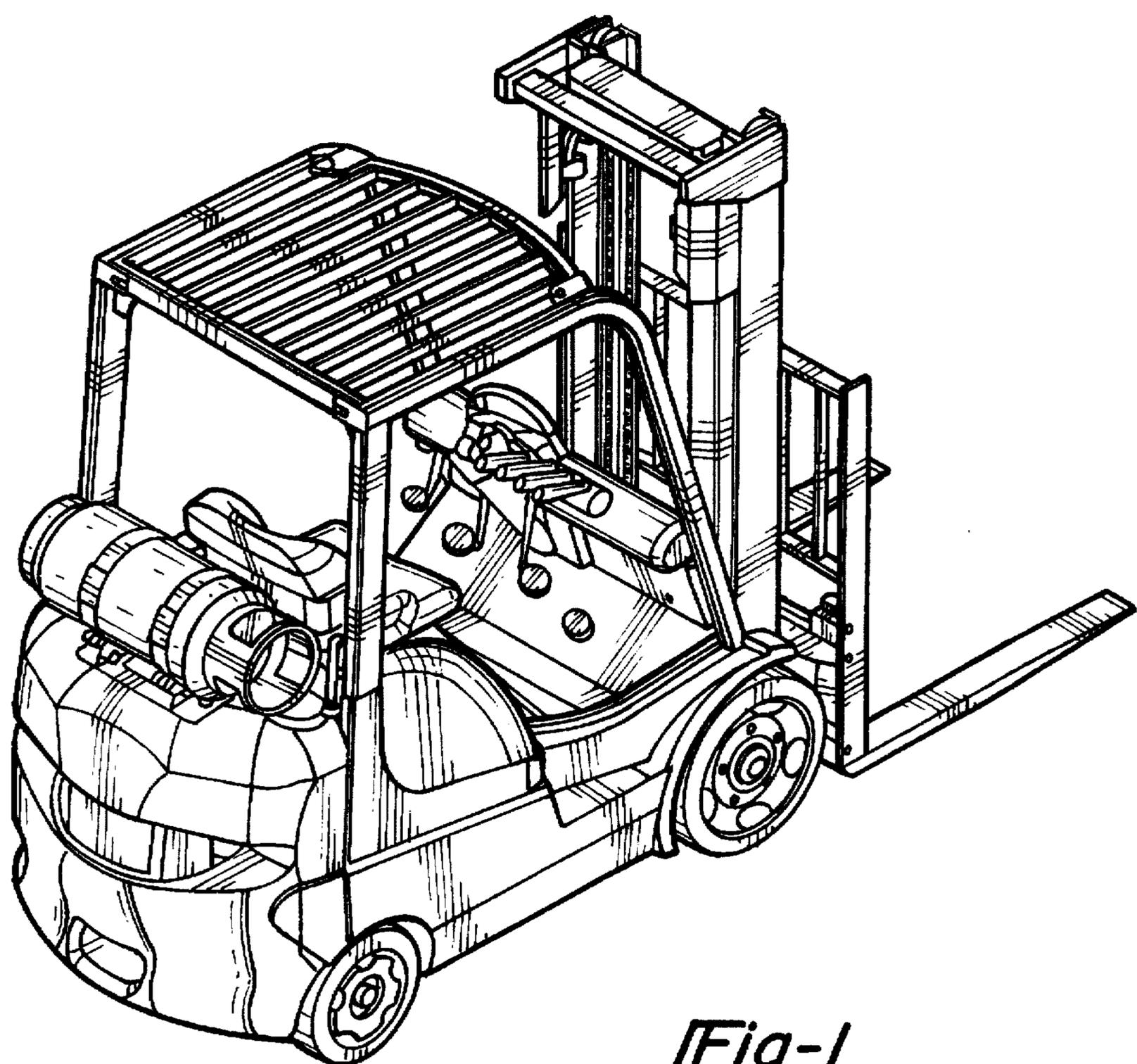


Fig-1

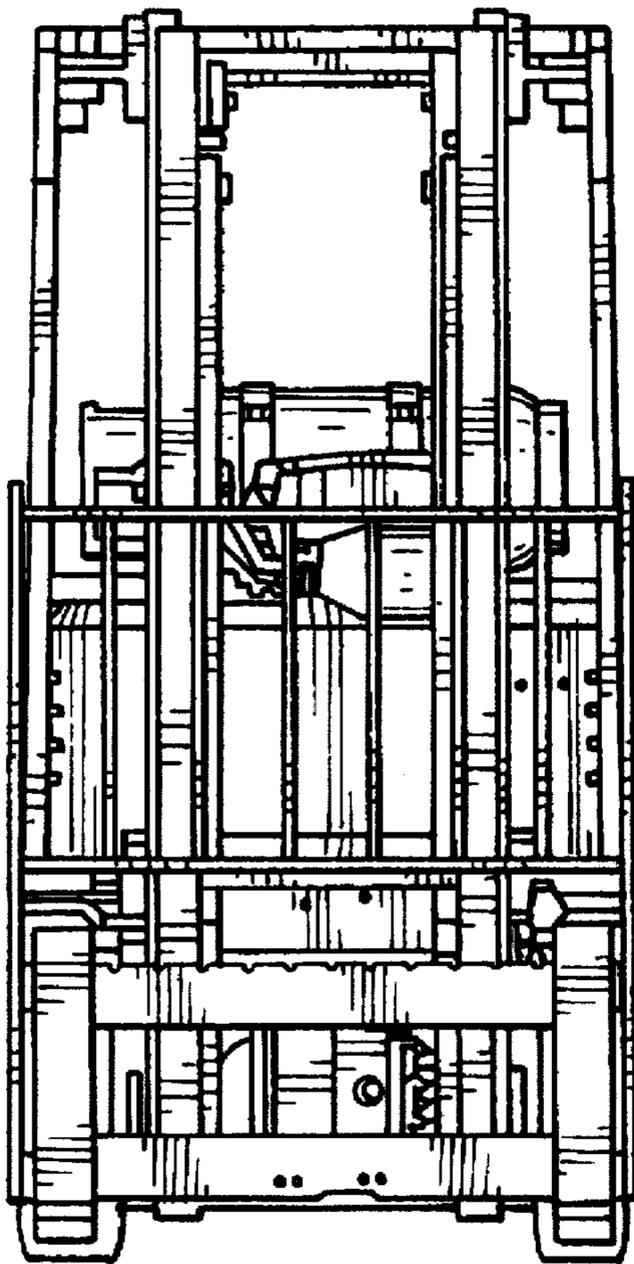


Fig-2

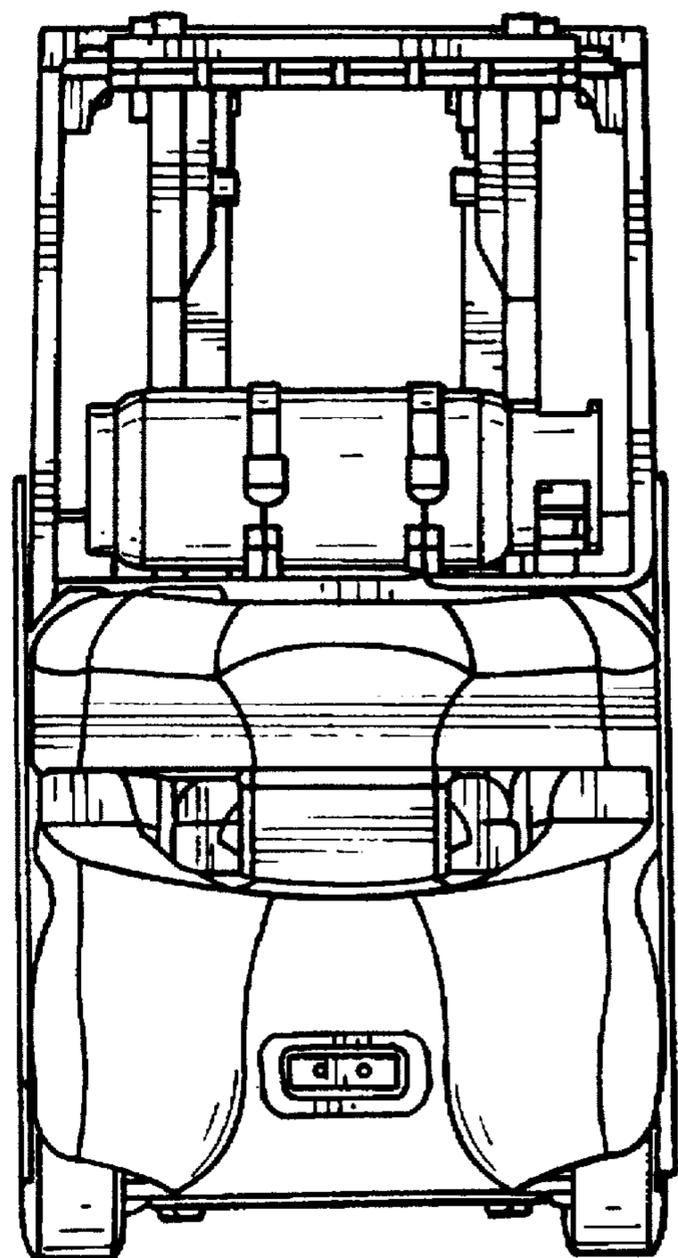
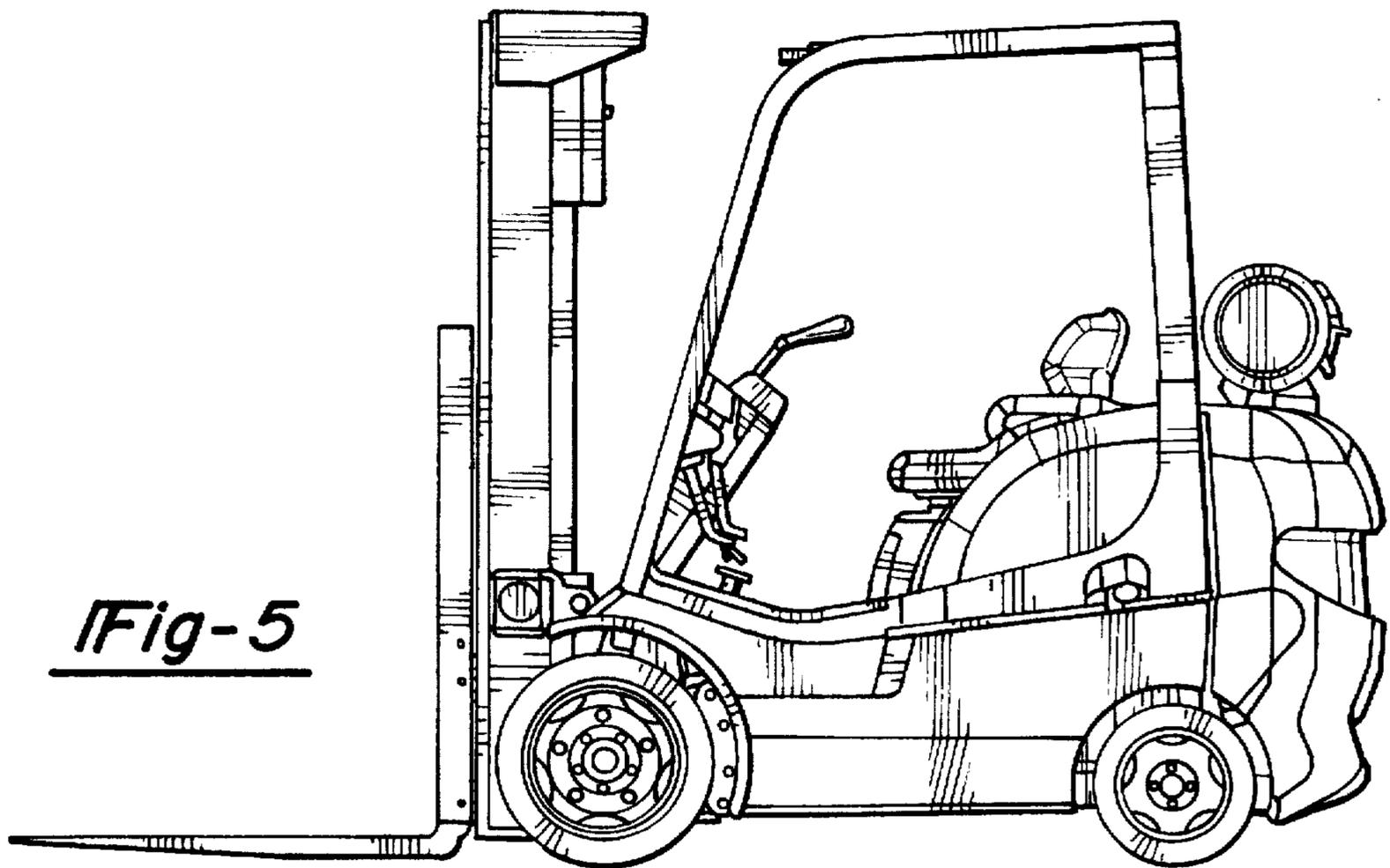
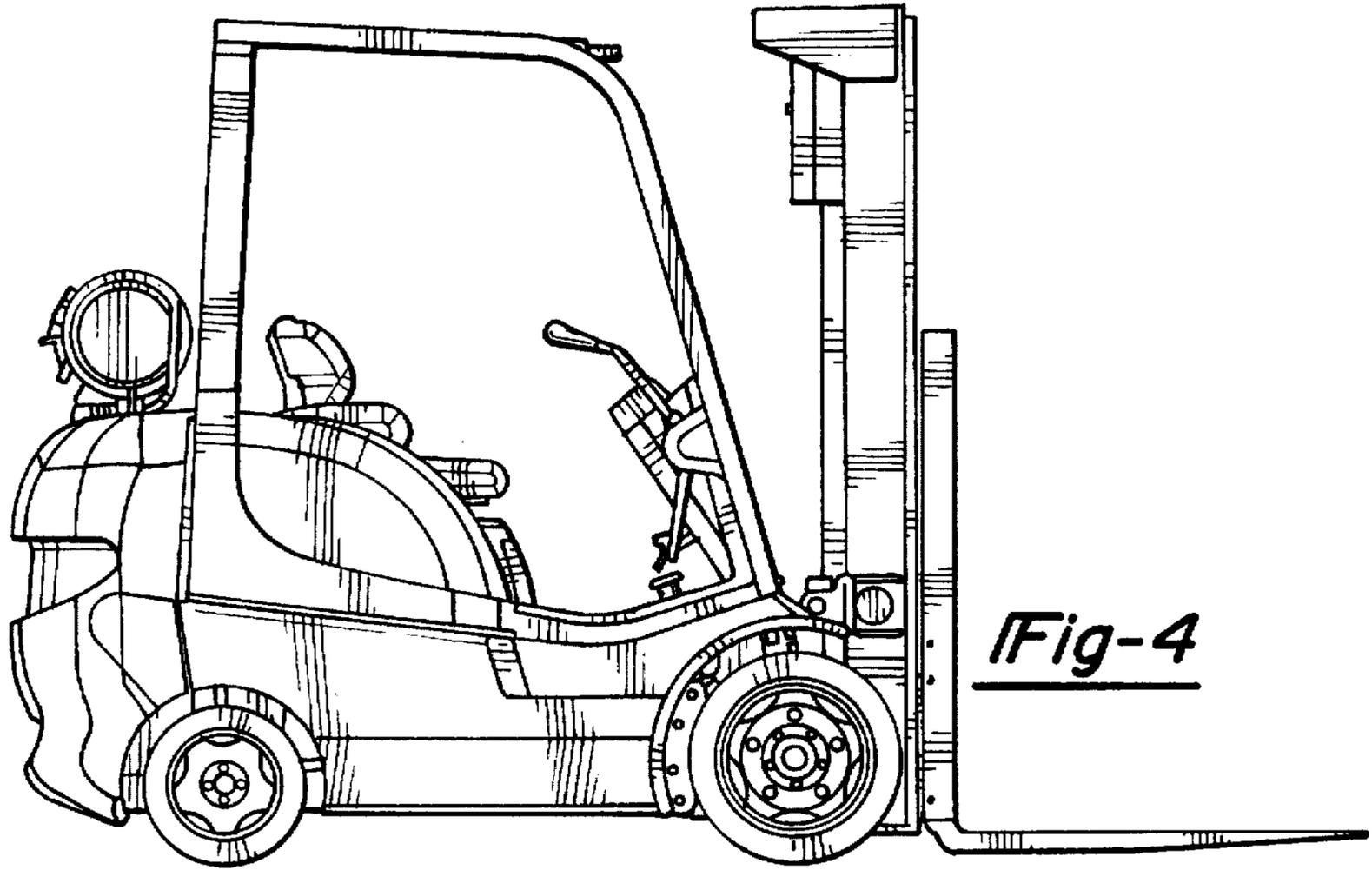


Fig-3



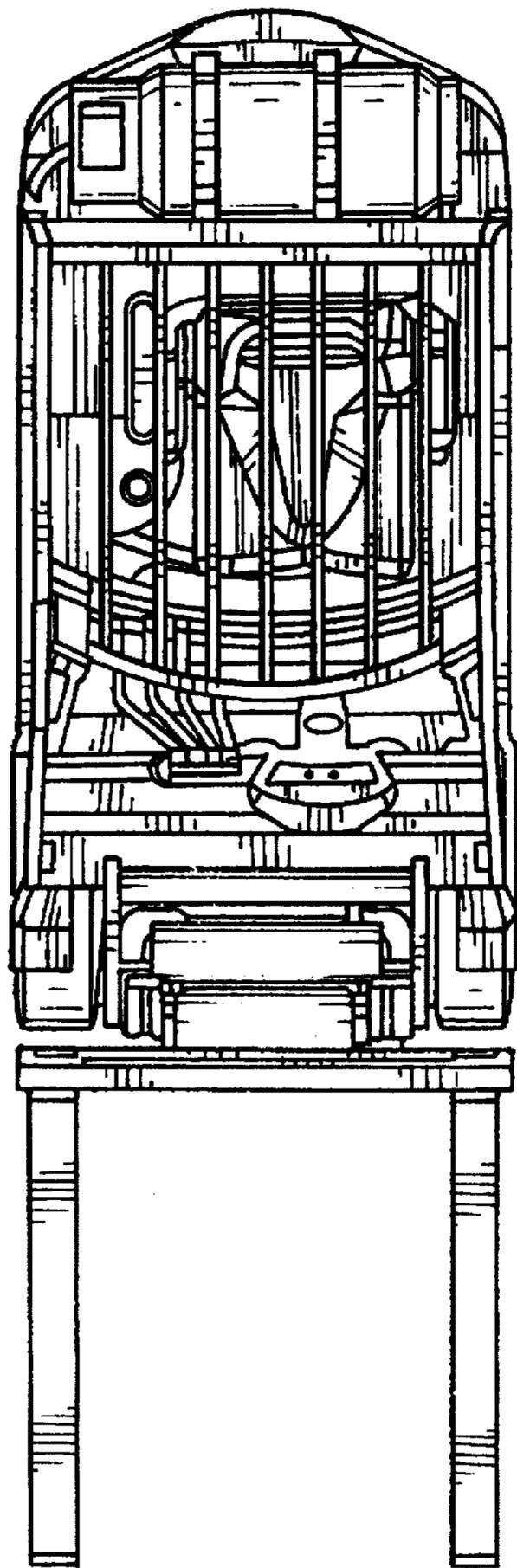


Fig-6

Fig-7

