



US00D393516S

# United States Patent [19]

Hahn et al.

[11] Patent Number: **Des. 393,516**

[45] Date of Patent: **\*\*Apr. 14, 1998**

[54] **FORK LIFT**

D. 358,925 5/1995 Chung et al. .... D34/34  
4,249,854 2/1981 Teti ..... 414/685

[75] Inventors: **Chul Hwan Hahn; Jae Min Kim; Taek Woo Lee**, all of Changwon, Rep. of Korea

*Primary Examiner*—Doris Clark  
*Attorney, Agent, or Firm*—Harness, Dickey & Pierce, P.L.C.

[73] Assignee: **Samsung Hevy Industries Co., Ltd.**, Rep. of Korea

[57] **CLAIM**

[\*\*] Term: **14 Years**

The ornamental design for a fork lift, as shown and described.

[21] Appl. No.: **64,650**

**DESCRIPTION**

[22] Filed: **Dec. 23, 1996**

FIG. 1 is a perspective view of a fork lift according to my design;

[51] **LOC (6) Cl.** ..... **12-05**

[52] **U.S. Cl.** ..... **D34/34**

FIG. 2 is a front view of a fork lift according to my design;

[58] **Field of Search** ..... D25/28, 33, 34,

D25/37; 414/465, 529, 785, 607, 572; 187/222;

180/89.12, 89.14, 89.17

FIG. 3 is a rear view of a fork lift according to my design;

FIG. 4 is a left side view of a fork lift according to my design;

FIG. 5 is a right side view of a fork lift according to my design;

FIG. 6 is a plane view of a fork lift according to my design;

and,

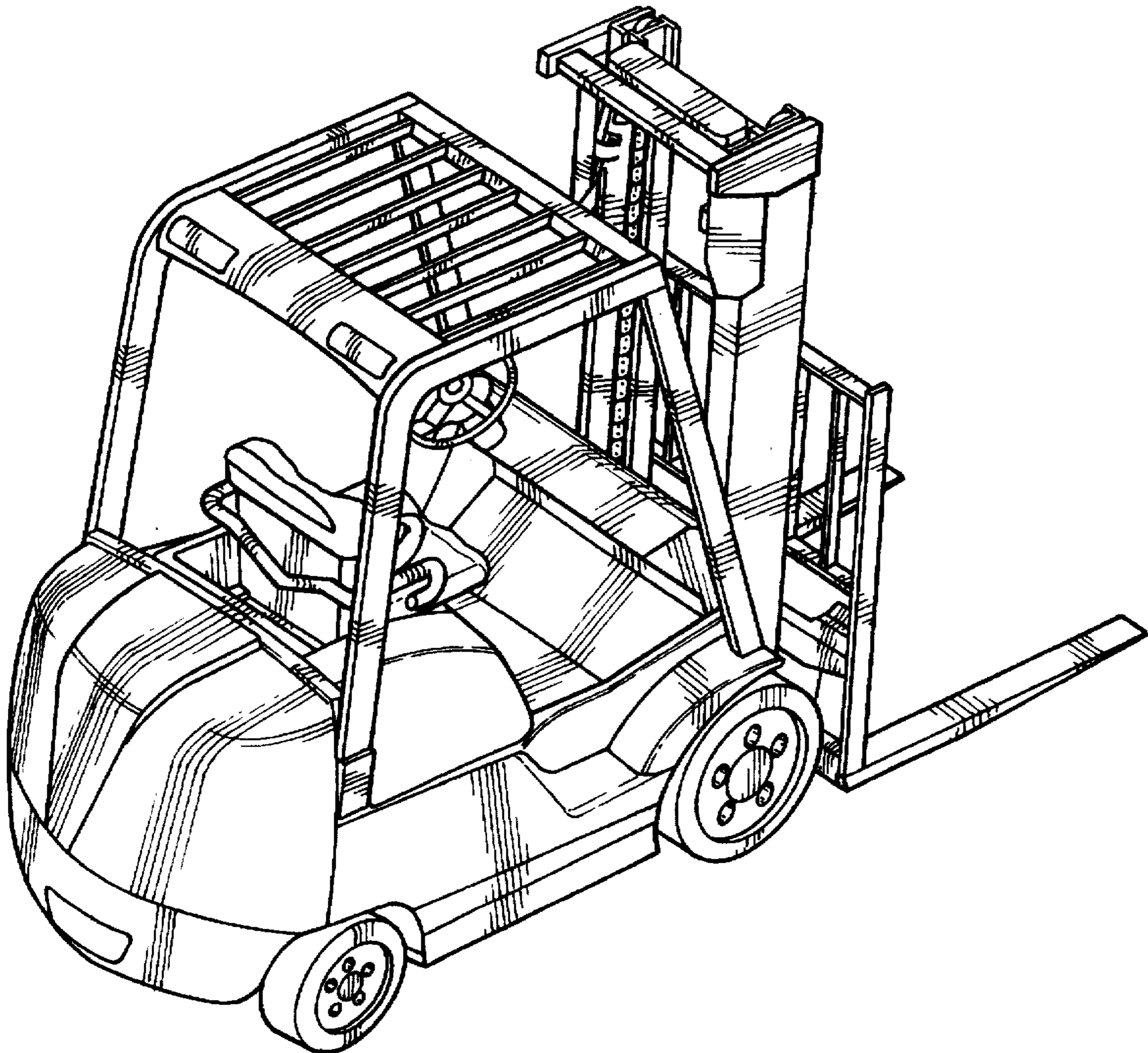
FIG. 7 is a bottom view of a fork lift according to my design.

[56] **References Cited**

**U.S. PATENT DOCUMENTS**

D. 354,604 1/1995 Soederberg ..... D34/34

**1 Claim, 4 Drawing Sheets**



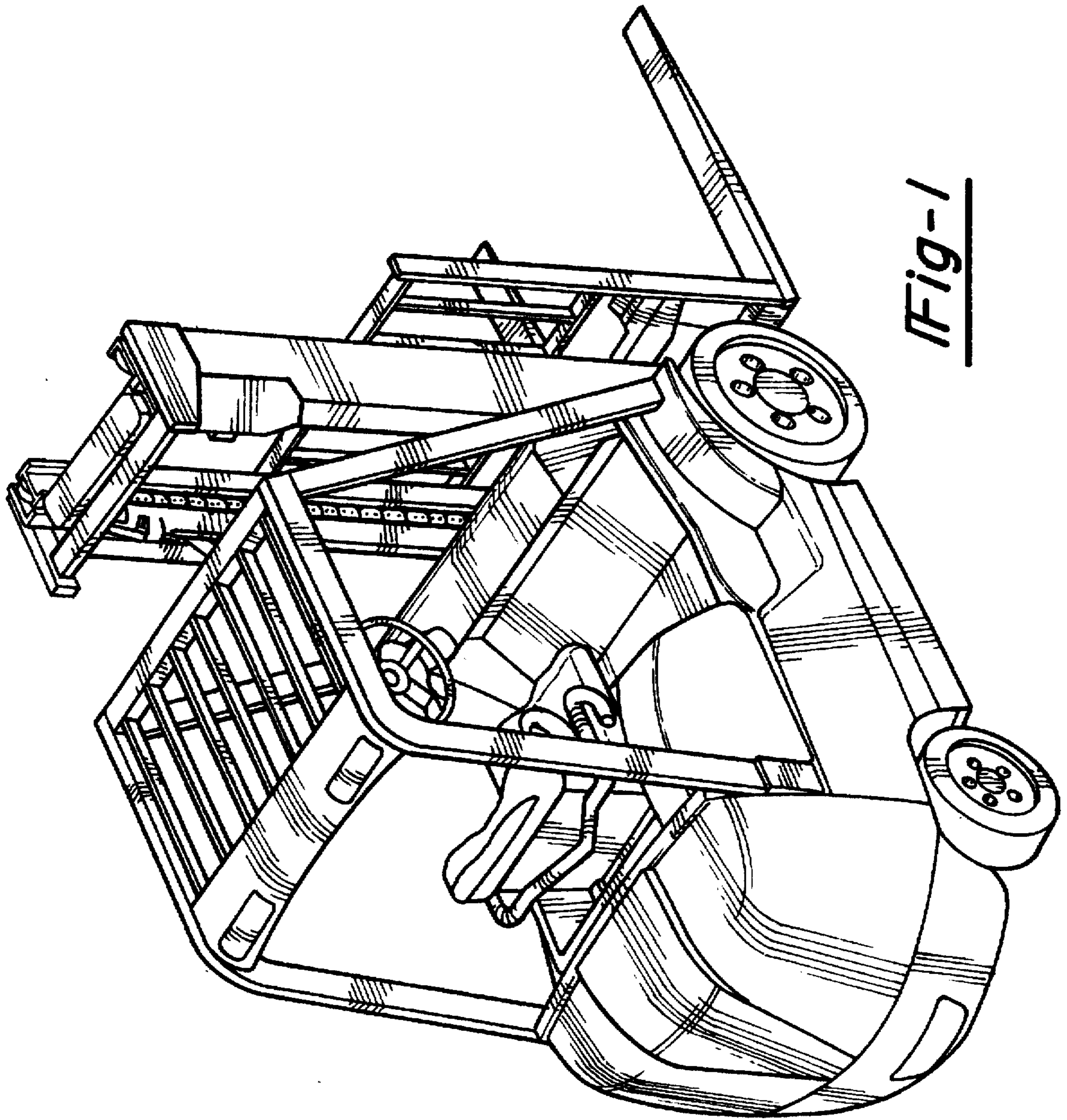


Fig-1

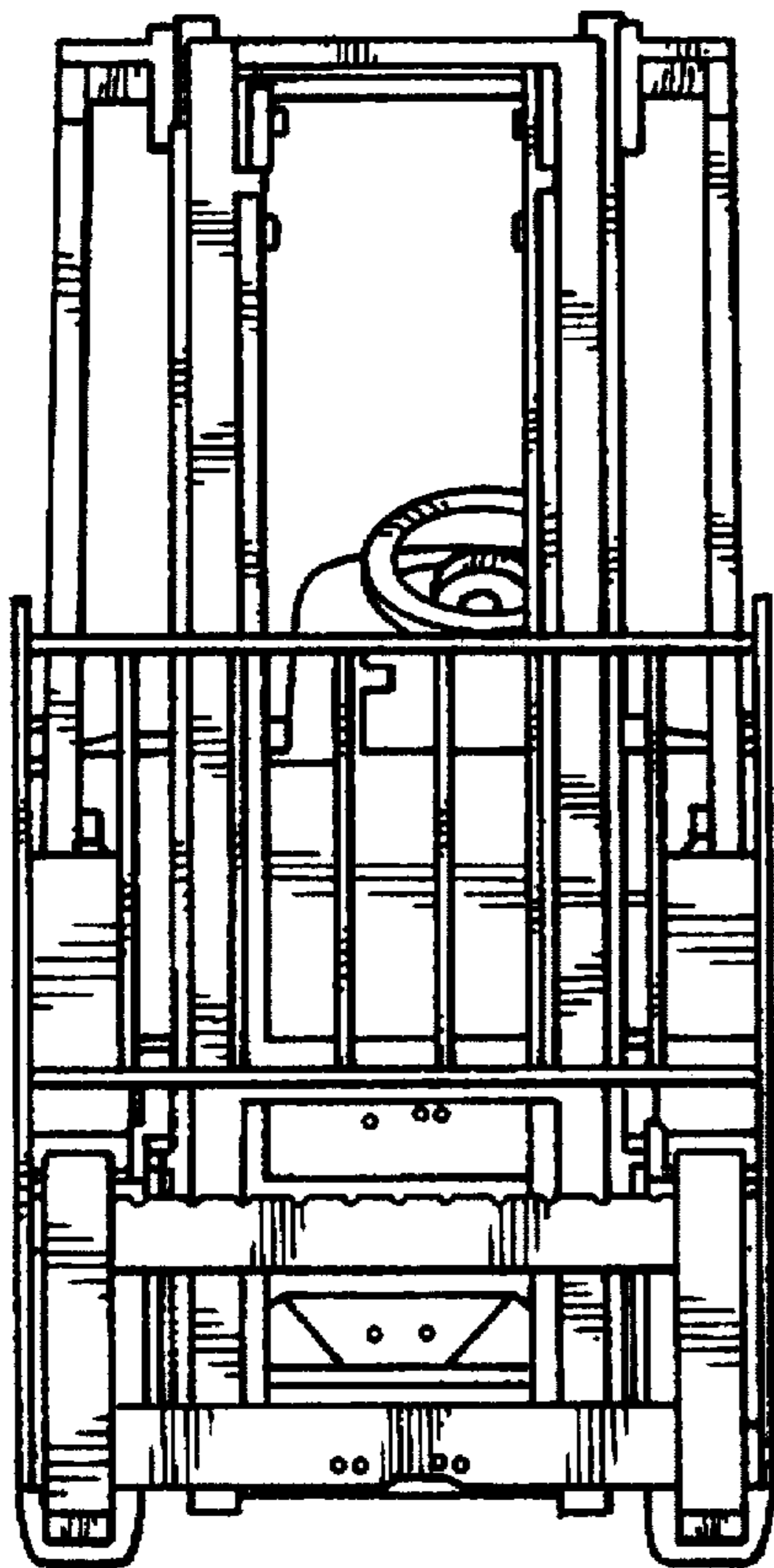


Fig-2

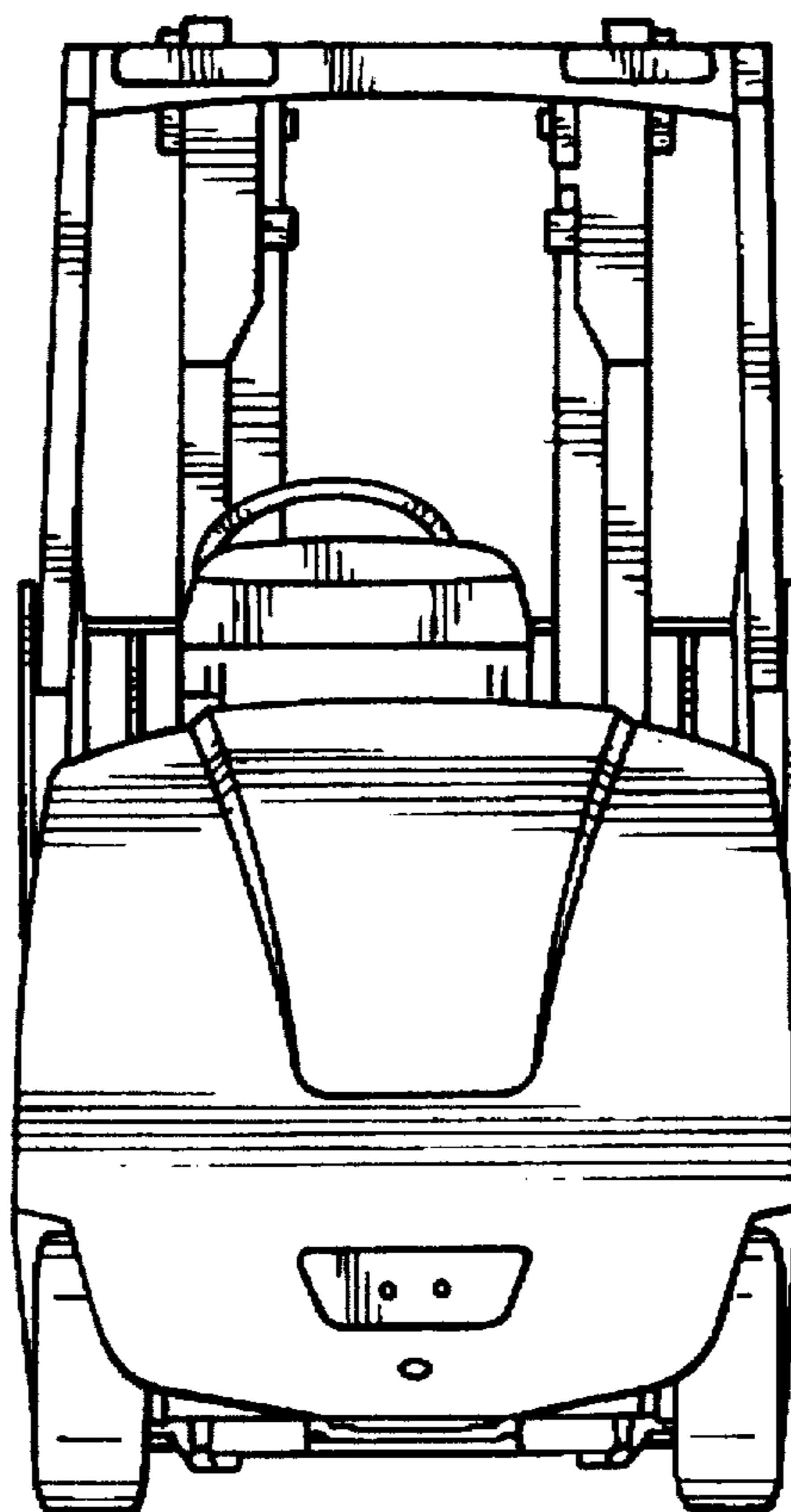


Fig-3

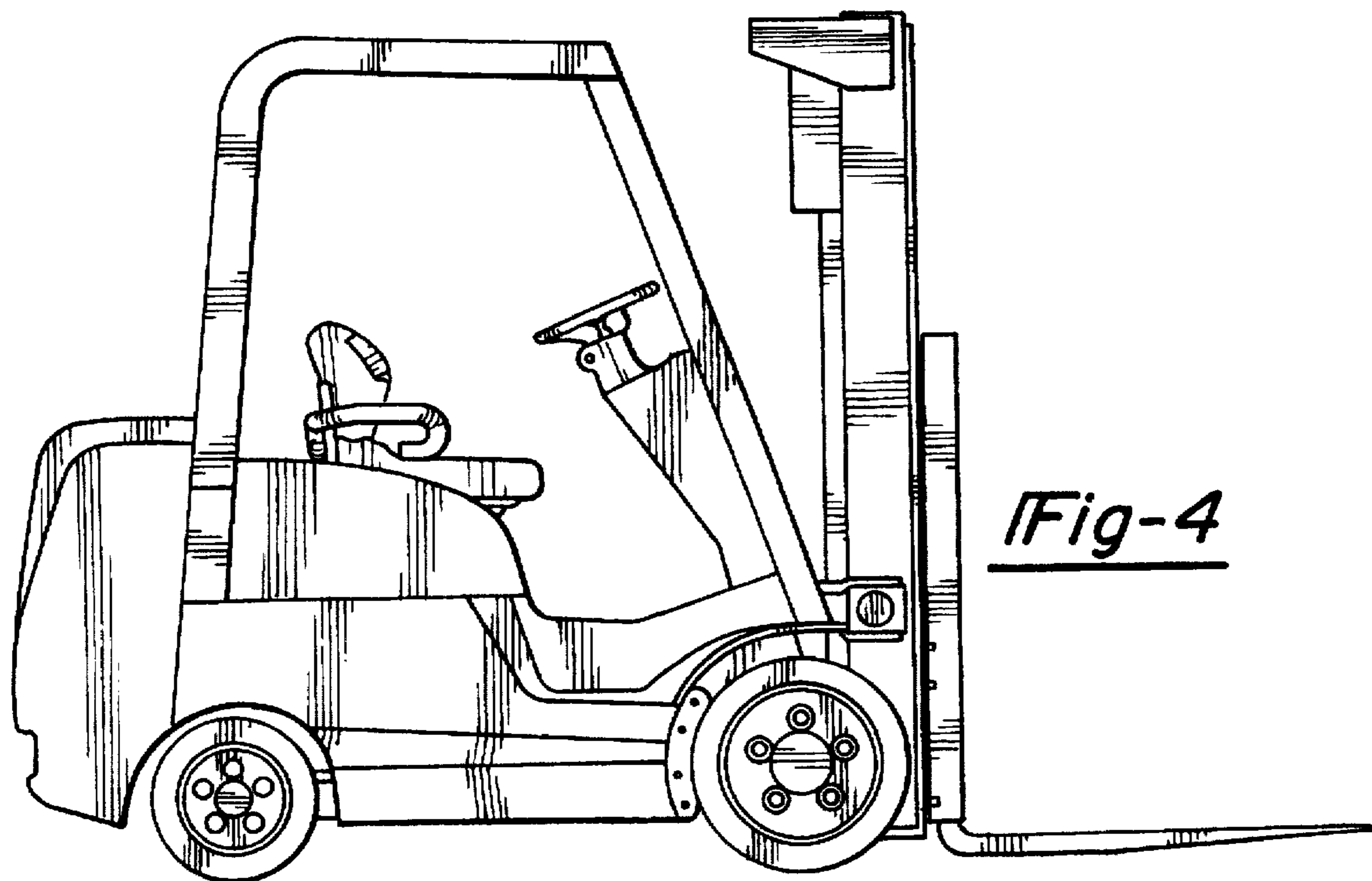


Fig-4

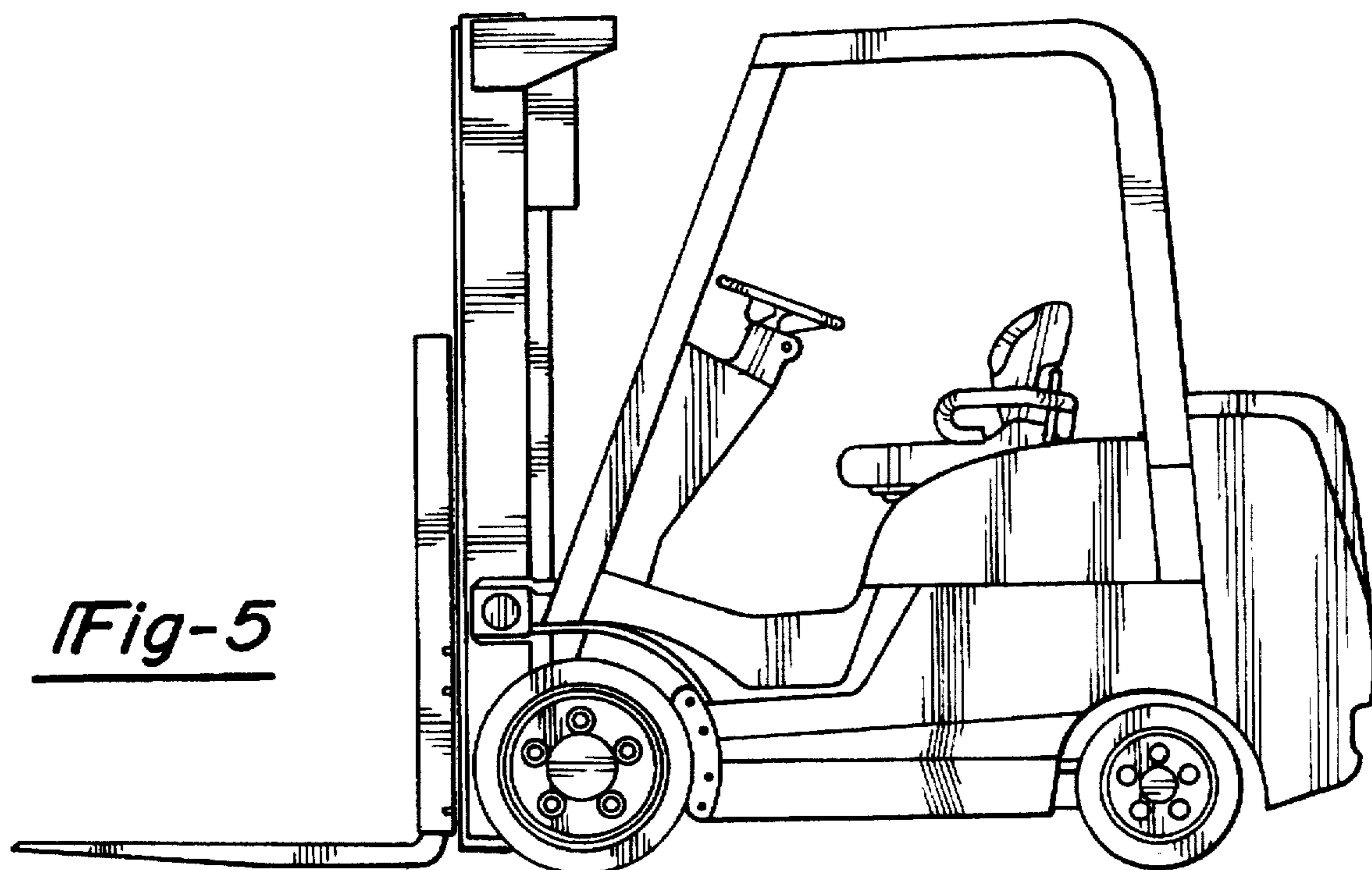


Fig-5

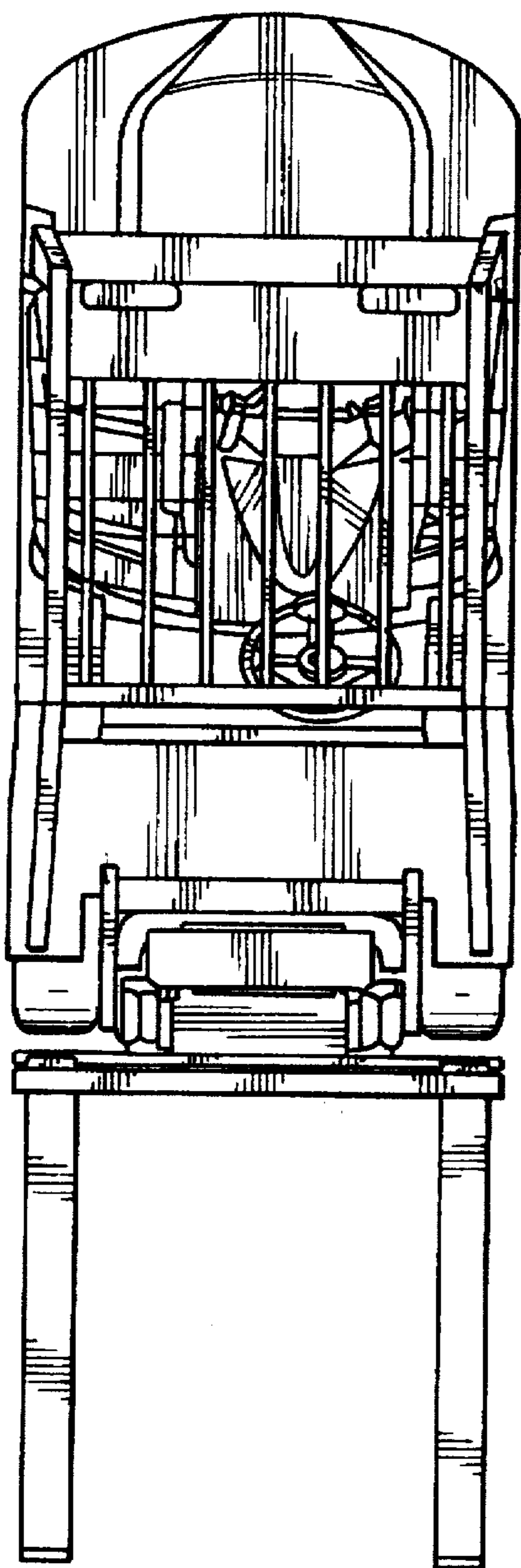


Fig-7

Fig-6

