



US00D393515S

# United States Patent [19]

Pettersson

[11] Patent Number: Des. 393,515

[45] Date of Patent: \*\*Apr. 14, 1998

[54] PULLEY BLOCK

[75] Inventor: Tomas Pettersson, Anaset, Sweden

[73] Assignee: Robertsfors Forsaljnings AB, Anaset, Sweden

[\*\*] Term: 14 Years

[21] Appl. No.: 54,097

[22] Filed: May 6, 1996

### [30] Foreign Application Priority Data

Nov. 13, 1995 [SE] Sweden ..... 95-2132

[51] LOC (6) Cl. .... 12-05

[52] U.S. Cl. .... D34/33

[58] Field of Search ..... D34/78, 33; 105/151; 254/380

### [56] References Cited

#### U.S. PATENT DOCUMENTS

- D. 138,597 8/1944 Little ..... D34/33
- D. 153,013 3/1949 Parker ..... D34/33

- D. 277,992 3/1985 Tupper ..... D34/28
- D. 295,104 4/1988 Pancook ..... D34/33
- D. 304,119 10/1989 Lyall et al. .... D34/33
- D. 313,299 12/1990 Tupper ..... D34/33
- D. 318,941 8/1991 Avery ..... D34/33
- D. 341,242 11/1993 Thorby ..... D34/33

Primary Examiner—M. N. Pandozzi  
Attorney, Agent, or Firm—Kirkpatrick & Lockhart LLP

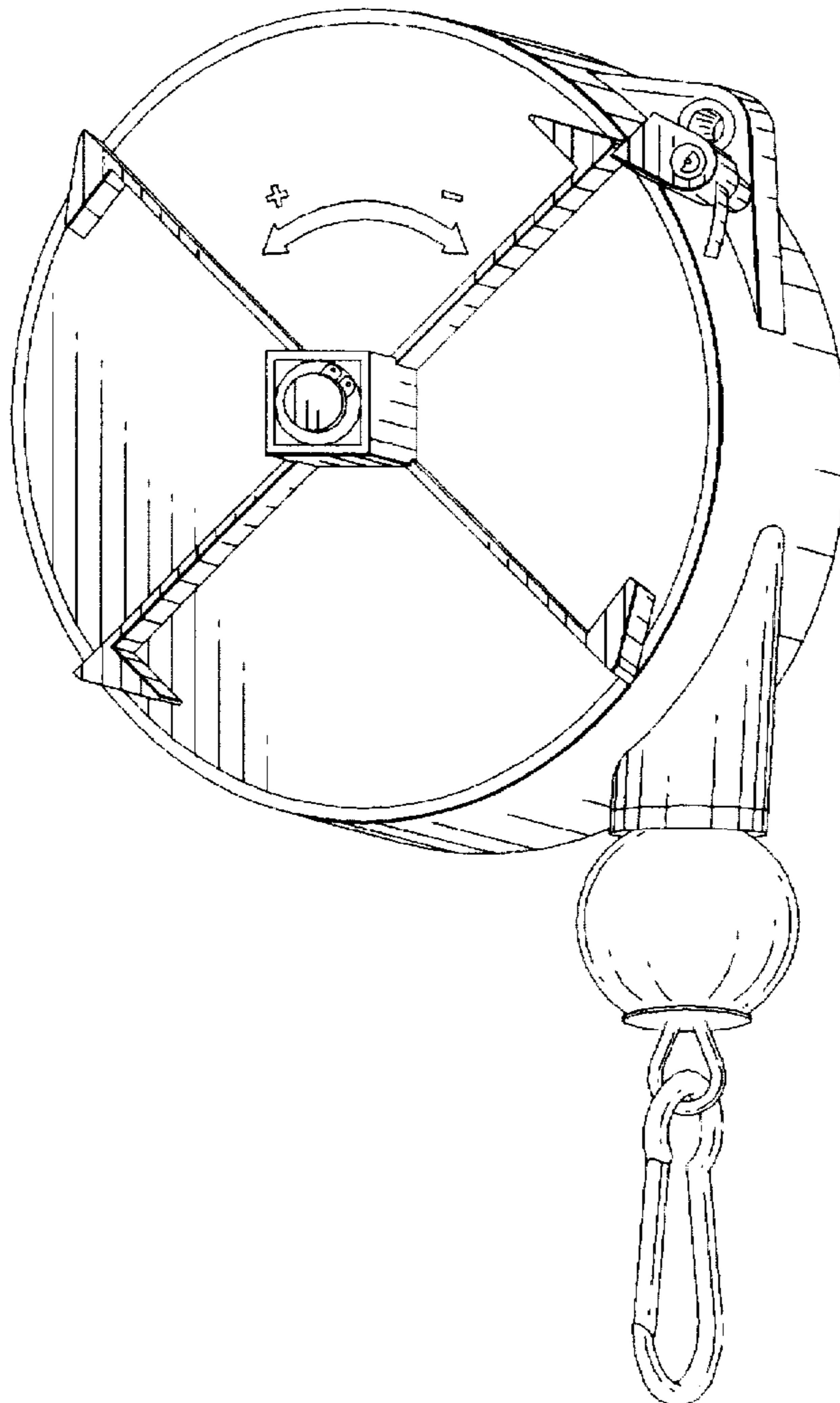
### [57] CLAIM

The ornamental design for a pulley block, as shown and described.

### DESCRIPTION

FIG. 1 is a side perspective view of a pulley block showing the new design;  
 FIG. 2 is another side perspective view of the pulley block of FIG. 1 seen from the opposite of FIG. 1;  
 FIG. 3 is a side elevational view of the pulley block showing the new design; and,  
 FIG. 4 is another side elevational view of the pulley block of FIG. 3 seen from the opposite of FIG. 3.

1 Claim, 3 Drawing Sheets



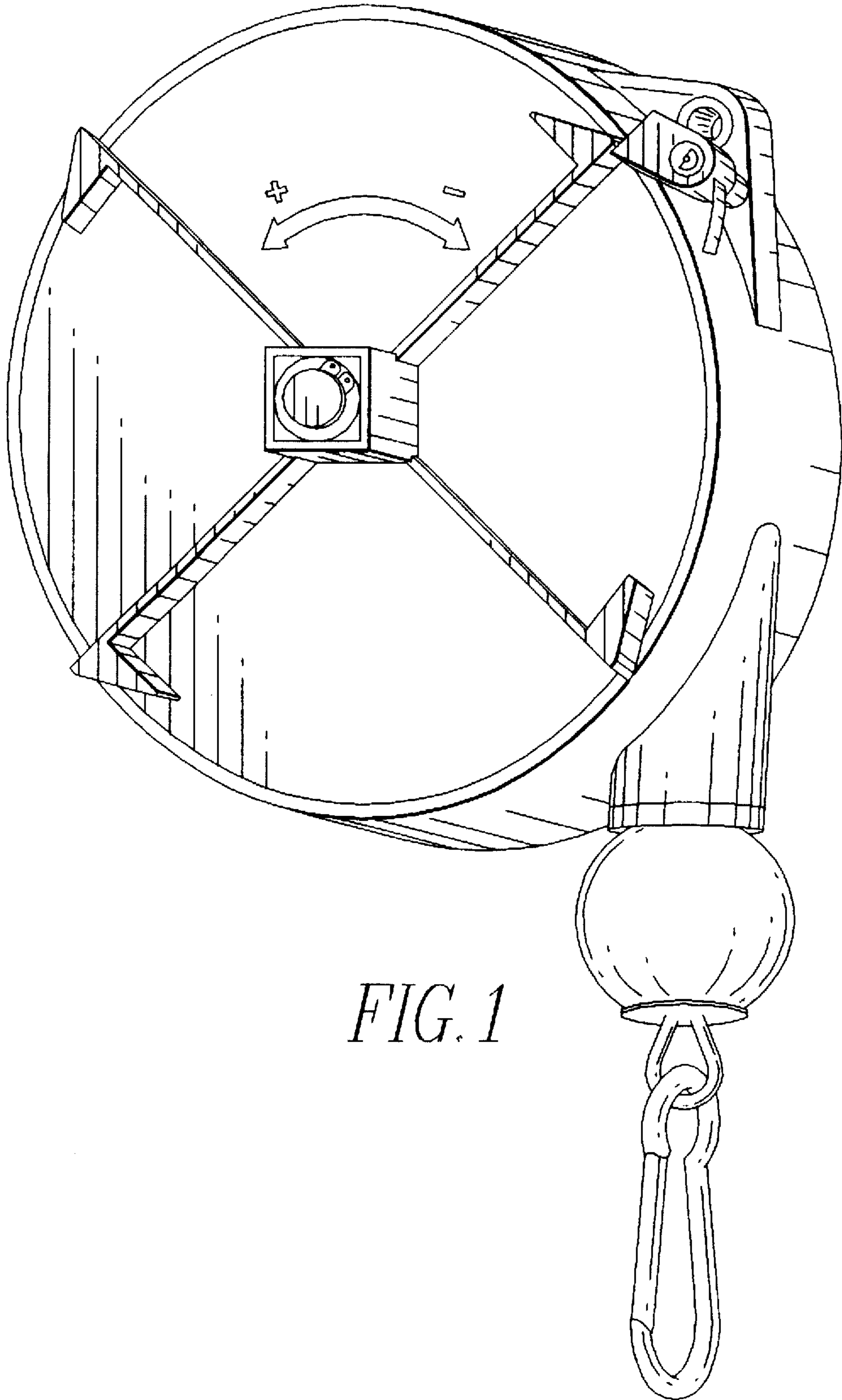


FIG. 1

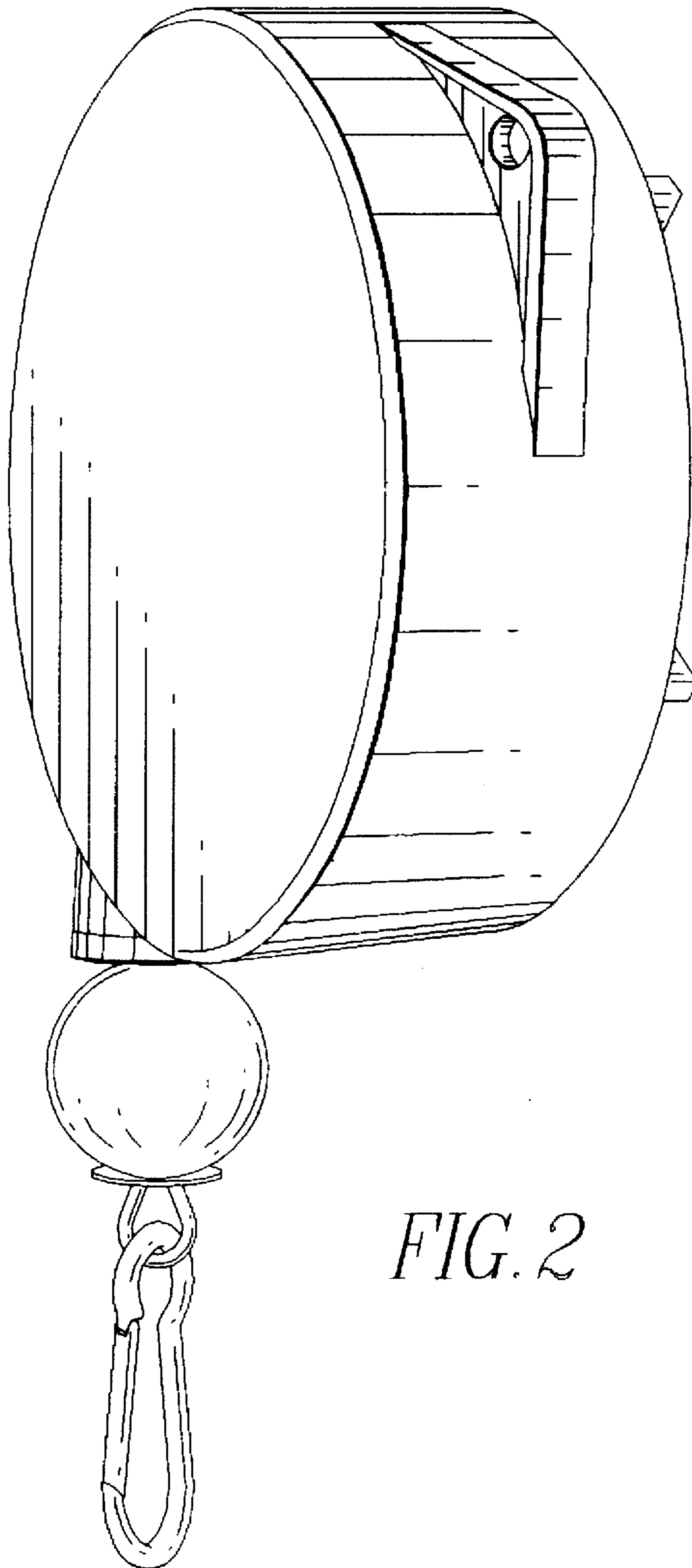


FIG. 2

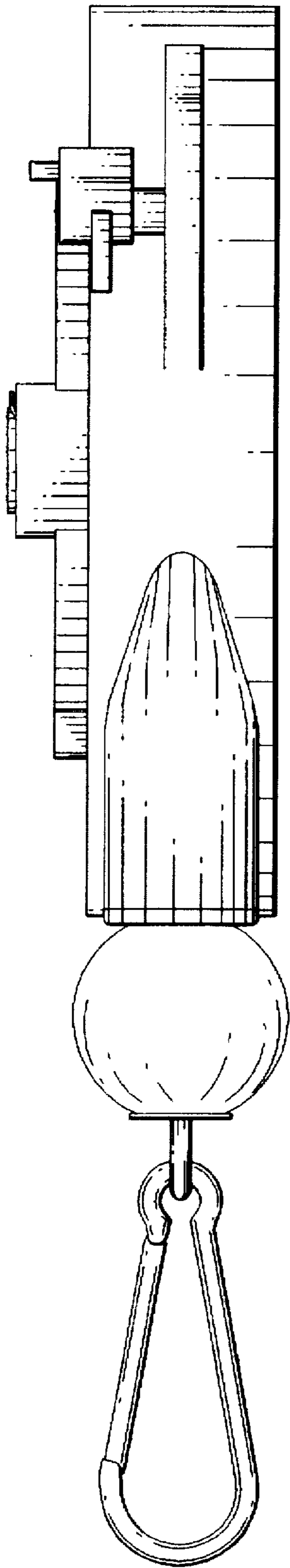


FIG. 3

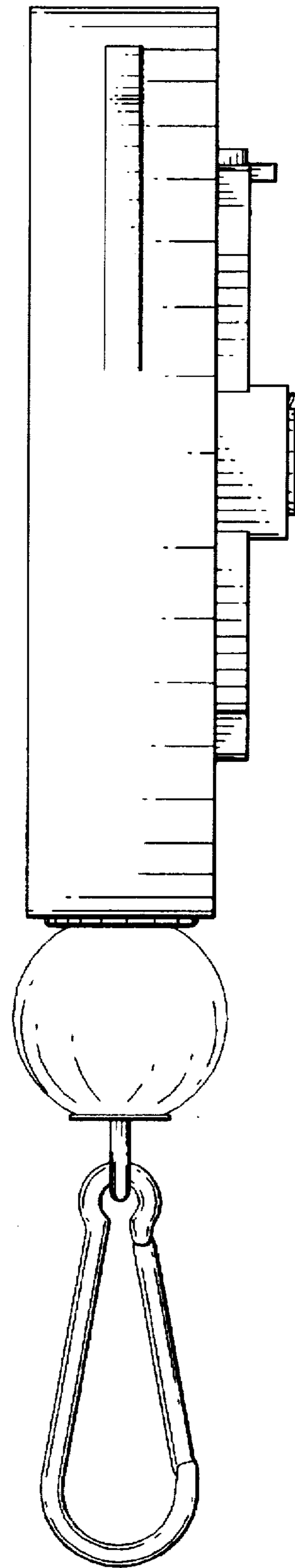


FIG. 4