



US00D393512S

**United States Patent** [19]  
**Van de Oudeweetering**

[11] **Patent Number: Des. 393,512**

[45] **Date of Patent: \*\*Apr. 14, 1998**

[54] **RACK FOR SUSPENSION FILES**

D. 330,298 10/1992 Keong ..... D6/426  
D. 377,428 1/1997 Rossdeutscher ..... D6/475

[75] **Inventor: Frederik Jacob Van de Oudeweetering, Naarden, Netherlands**

*Primary Examiner*—Kay H. Chin  
*Attorney, Agent, or Firm*—Hill, Steadman & Simpson

[73] **Assignee: Cascade Handelmij, B.V., Lelystad, Netherlands**

[57] **CLAIM**

[\*\*] **Term: 14 Years**

The ornamental design for a rack for suspension files as shown and described.

[21] **Appl. No.: 63,951**

**DESCRIPTION**

[22] **Filed: Dec. 19, 1996**

FIG. 1 is a perspective view taken from the front left side of the rack for suspension files according to the present invention;

[30] **Foreign Application Priority Data**

Jun. 25, 1996 [WO] WIPO ..... DM036769

FIG. 2 is a front elevational view of the rack for suspension files of FIG. 1.

[51] **LOC (6) Cl. .... 12-02**

[52] **U.S. Cl. .... D34/21; D6/475**

FIG. 3 is a side elevational view of the right side of the rack for suspension files of FIG. 1 with the left side being a mirror image;

[58] **Field of Search .... D34/12-27; D6/474, D6/475, 479, 449; 211/45, 46, 151, 162**

FIG. 4 is a back elevational view of the rack for suspension files of FIG. 1; and,

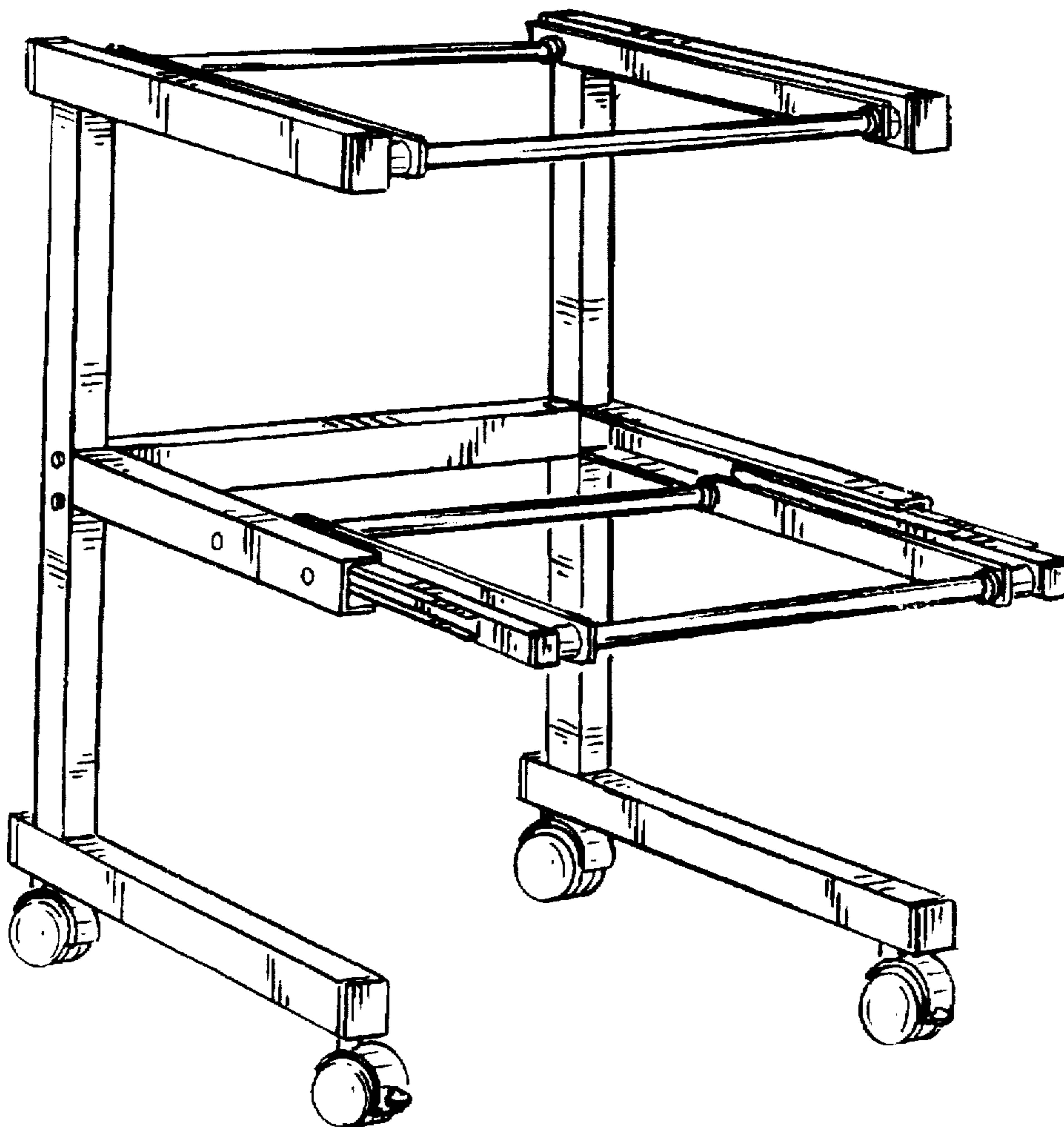
[56] **References Cited**

**U.S. PATENT DOCUMENTS**

D. 305,710 1/1990 Ng et al. .... D6/474

FIG. 5 is a top plan view of the rack for suspension files of FIG. 1.

**1 Claim, 5 Drawing Sheets**



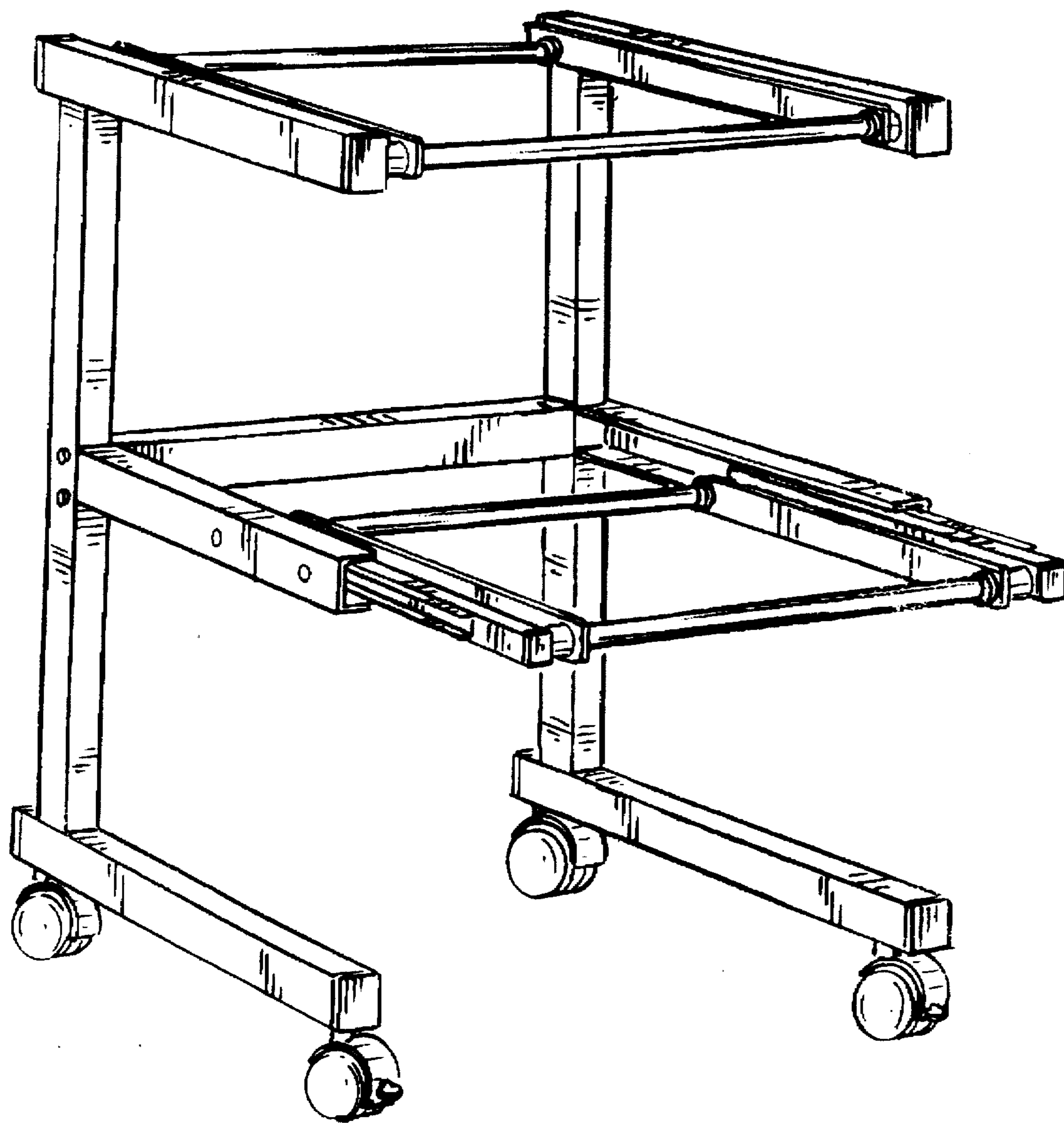


FIG. 1

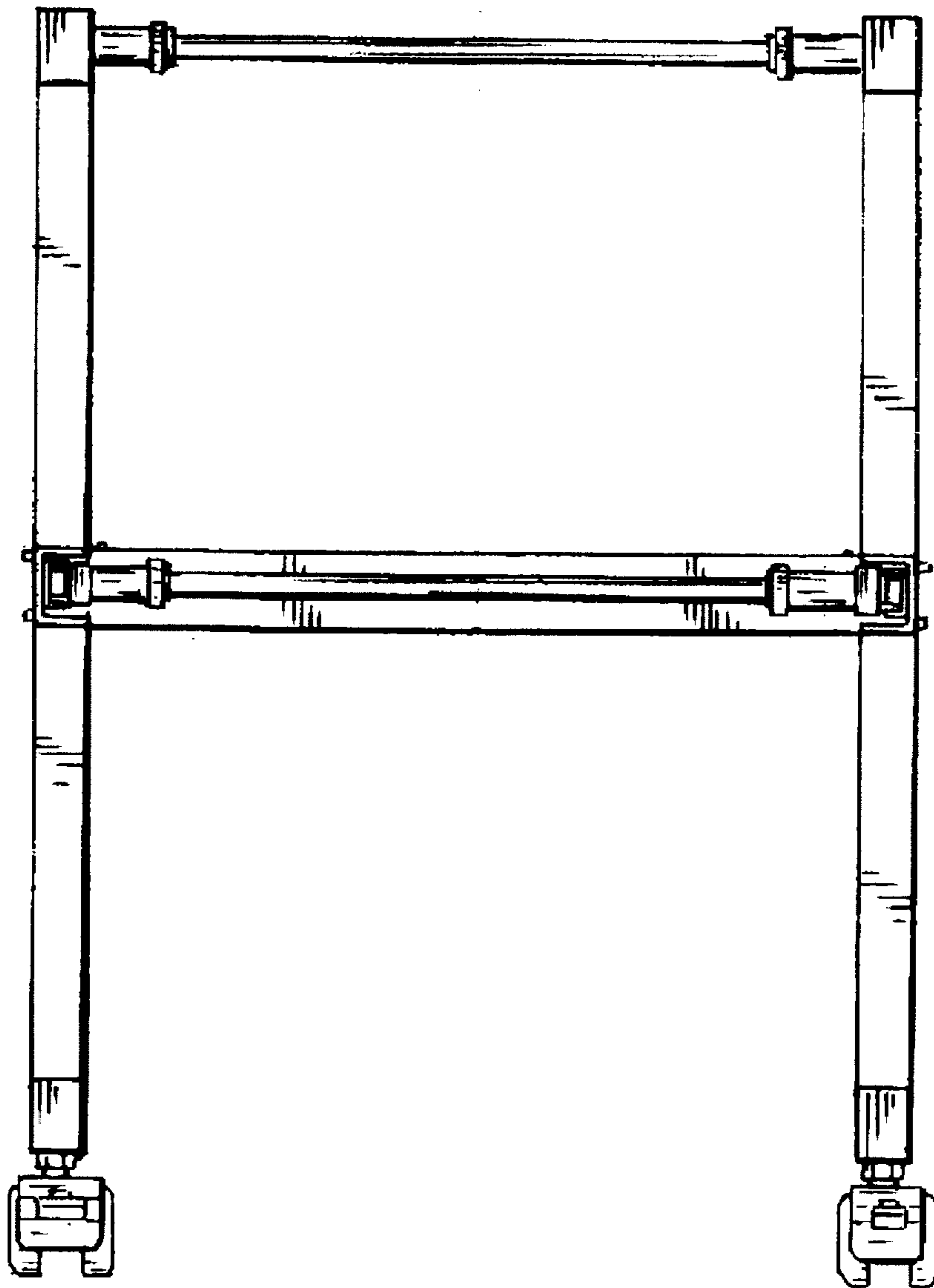


FIG. 2

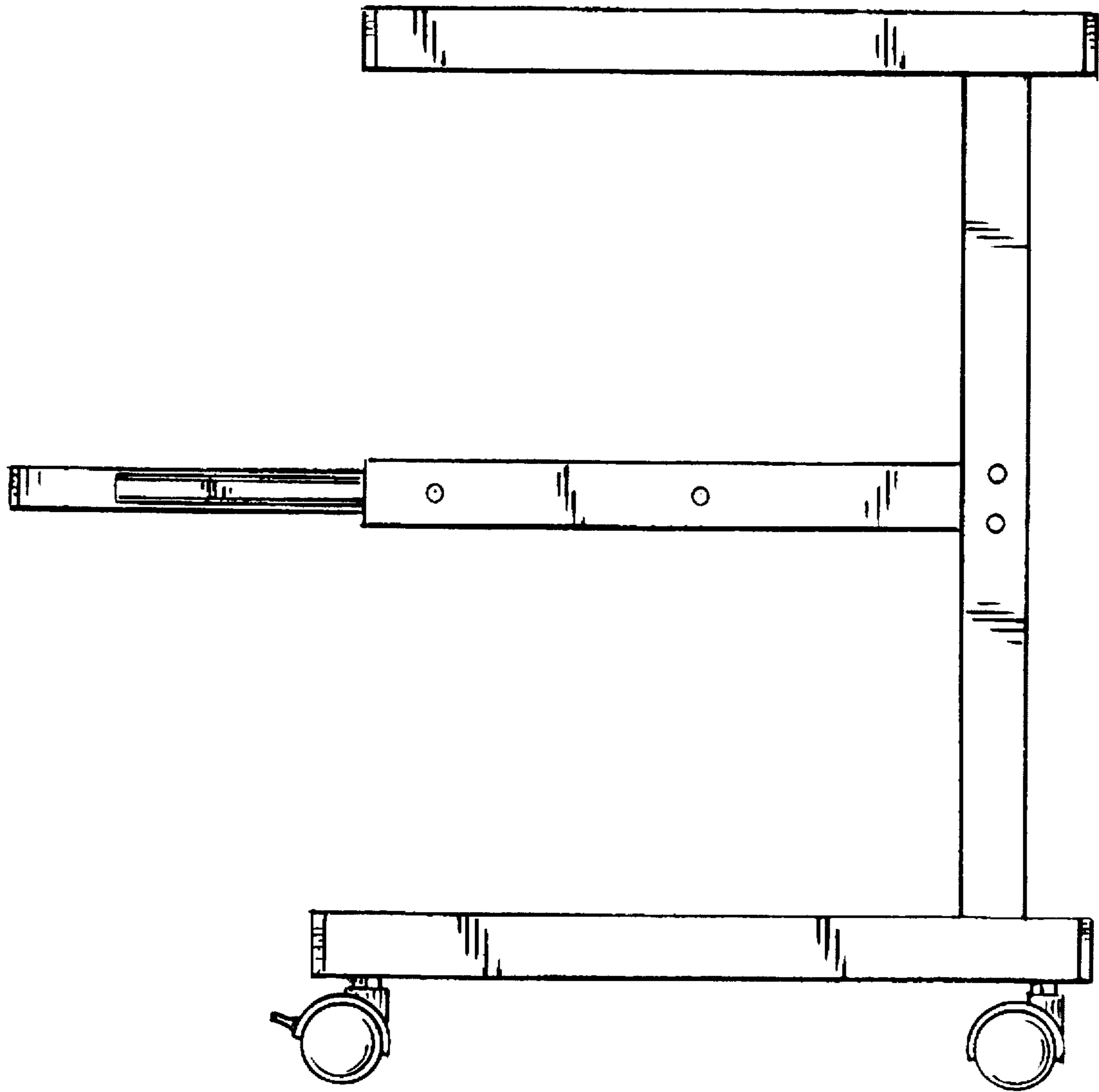


FIG. 3

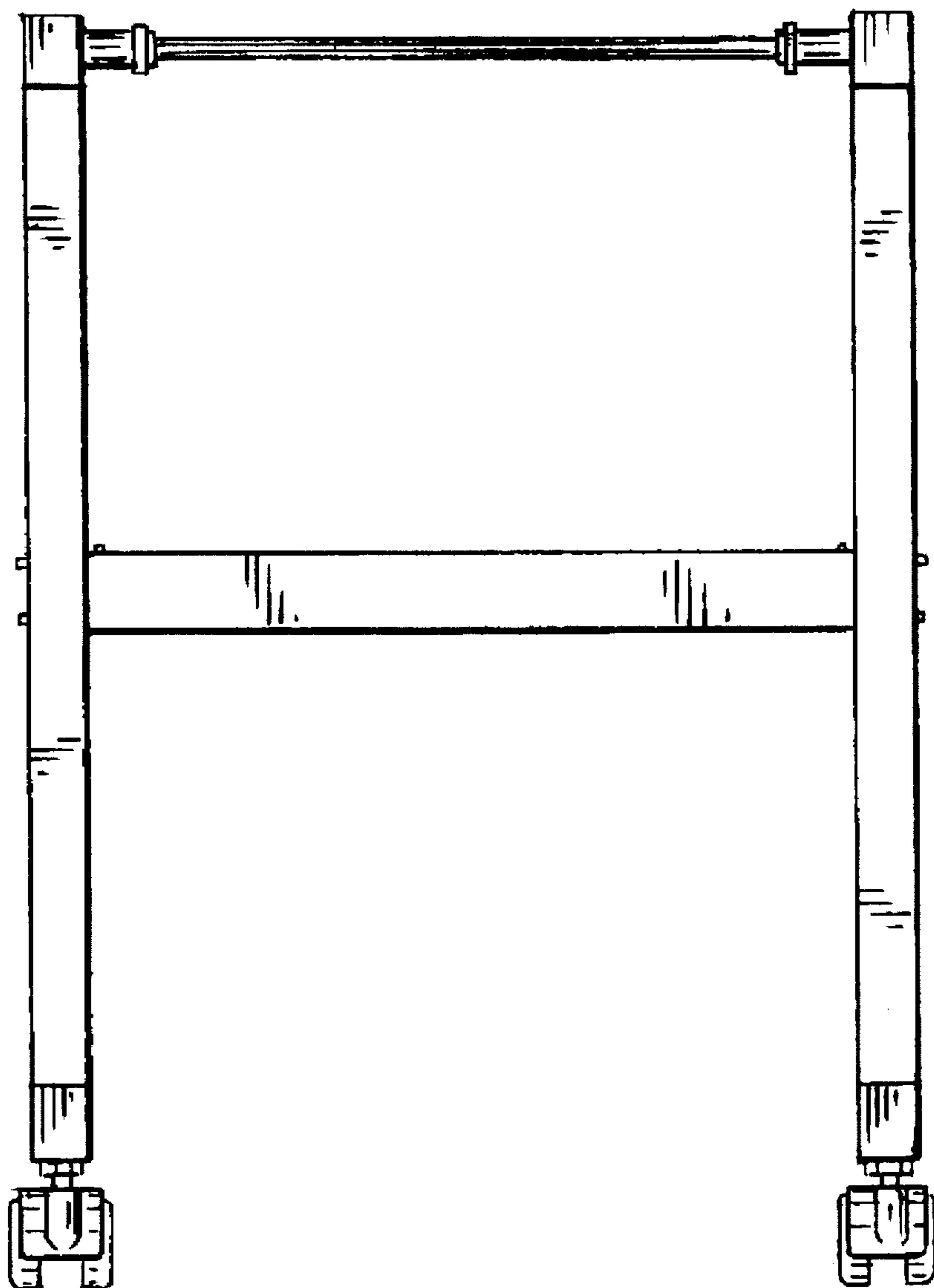


FIG. 4

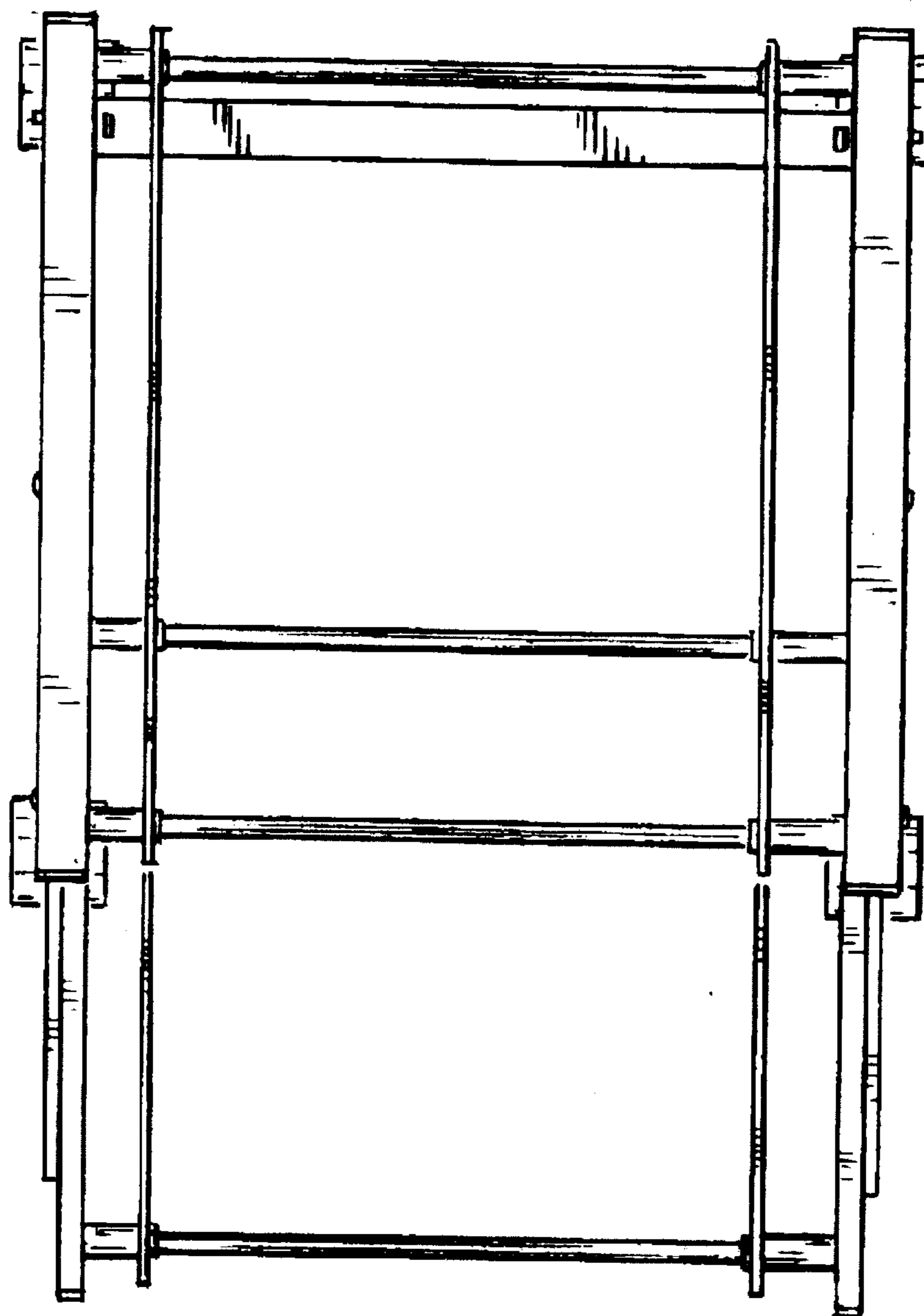


FIG. 5