



US00D393511S

United States Patent [19]
Albertsson

[11] **Patent Number: Des. 393,511**
[45] **Date of Patent: **Apr. 14, 1998**

[54] **ELECTRIC GOLF CART**
[76] **Inventor: Stig L. Albertsson, P.O. Box 299,
Manchester, Vt. 05254**
[**] **Term: 14 Years**
[21] **Appl. No.: 67,981**
[22] **Filed: Mar. 14, 1997**
[51] **LOC (6) Cl. 12-02**
[52] **U.S. Cl. D34/15; D12/16**
[58] **Field of Search D12/16; D34/15;
280/DIG. 5, DIG. 6; 180/19 R, 19 H, 6.5,
26, 27, 210, 214**

4,081,047 3/1978 Lovell et al. 180/19 H
4,166,238 8/1979 Binner 318/67
4,247,808 1/1981 Hanner 318/345
4,471,276 9/1984 Cudlitz 318/341
4,538,695 9/1985 Bradt 180/19.2
4,538,696 9/1985 Carter 180/19.3
4,563,621 1/1986 Moore 318/139
4,570,731 2/1986 Oaks 180/19.3
5,109,938 5/1992 Vautelin et al. 180/19.3
5,161,635 11/1992 Kiffe 180/193
5,167,389 12/1992 Reimers 248/96
5,180,023 1/1993 Reimers 180/19.1
5,317,669 5/1994 Anderson et al. 388/829
5,318,314 6/1994 Cyphers et al. 280/47.26
5,350,982 9/1994 Seib 318/139
5,374,881 12/1994 Post et al. 318/373

[56] **References Cited**

U.S. PATENT DOCUMENTS

D. 219,509 12/1970 Maltarp D34/15
D. 223,816 6/1972 Hinklz D34/15
353,698 12/1886 Stevens D34/15
3,565,199 2/1971 Mistarz 180/19
3,572,455 3/1971 Brueske 180/26
3,580,349 5/1971 Brennan et al. 180/27
3,697,763 10/1972 Middlebrook 290/17
3,719,247 3/1973 Hollis 180/19 H
3,731,756 5/1973 Hajec 180/6.5
3,818,293 6/1974 Wood et al. 318/139
3,871,464 3/1975 Eden 280/DIG. 5 X
3,893,532 7/1975 Perlowin 180/19 R
3,907,056 9/1975 Thomas, III 180/19 R
3,948,332 4/1976 Tyner 180/19 R
3,952,821 4/1976 Craven 180/19 R
3,989,116 11/1976 Hirano 180/19 H

Primary Examiner—Nelson C. Holtje
Attorney, Agent, or Firm—Nutter, McClennen & Fish, LLP

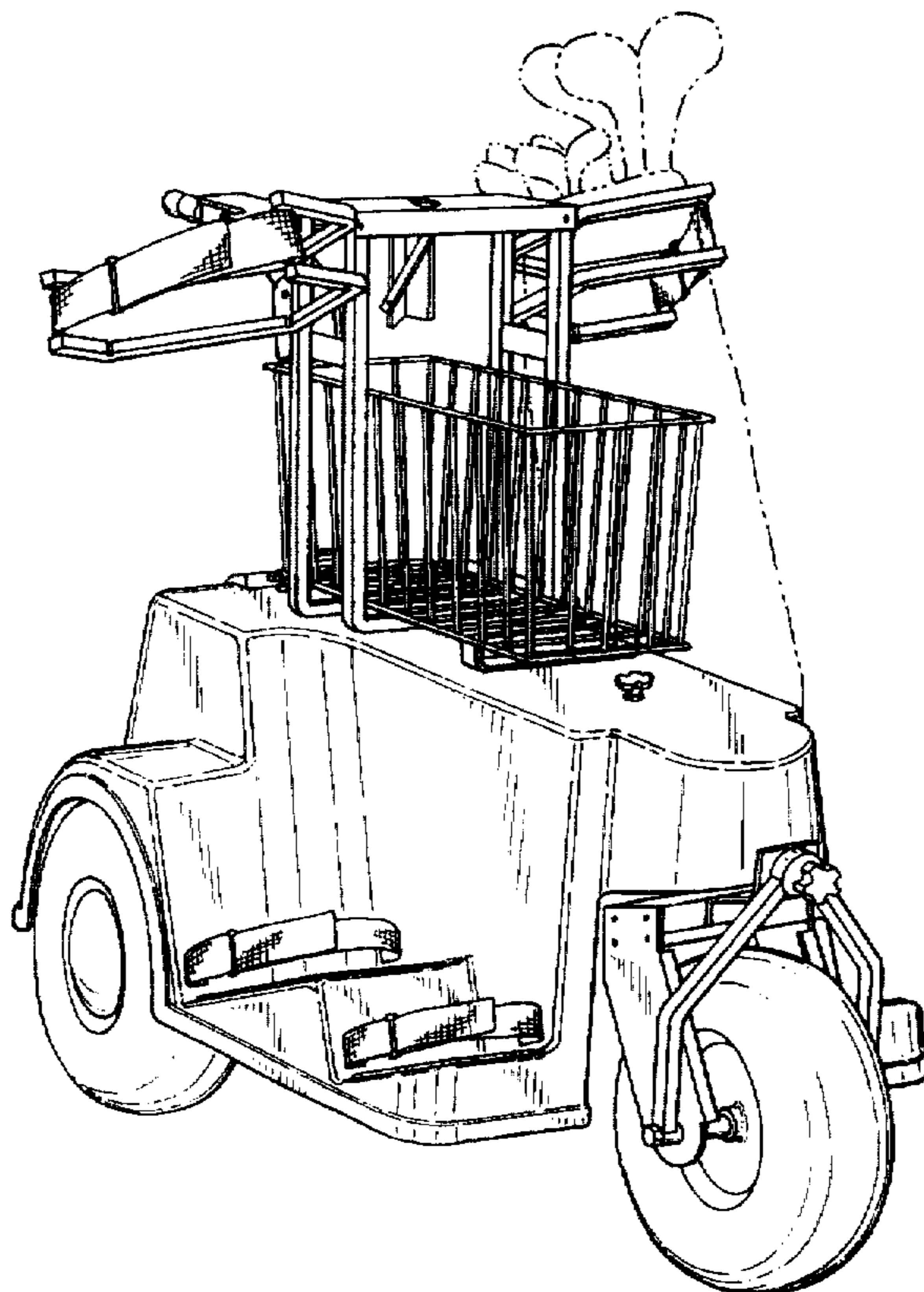
[57] **CLAIM**

The ornamental design for an electric golf cart, as shown.

DESCRIPTION

FIG. 1 is a perspective view of an electric golf cart showing my new design;
FIG. 2 is a side view thereof;
FIG. 3 is a front view thereof;
FIG. 4 is a back view thereof;
FIG. 5 is a top view thereof; and,
FIG. 6 is a bottom view thereof.
The broken line showing of golf bags is for illustrative purposes only and forms no part of the claimed design.

1 Claim, 5 Drawing Sheets



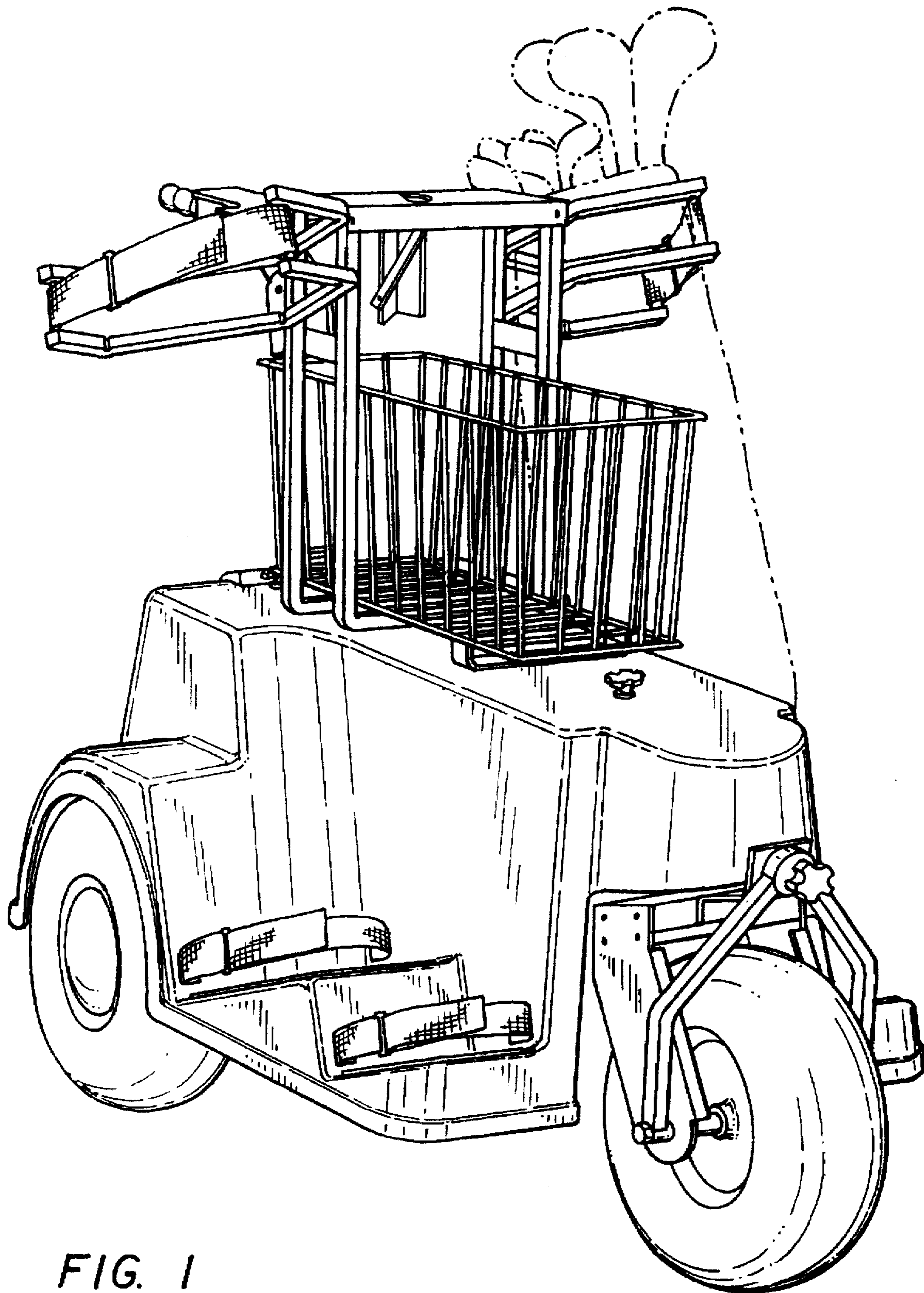


FIG. 1

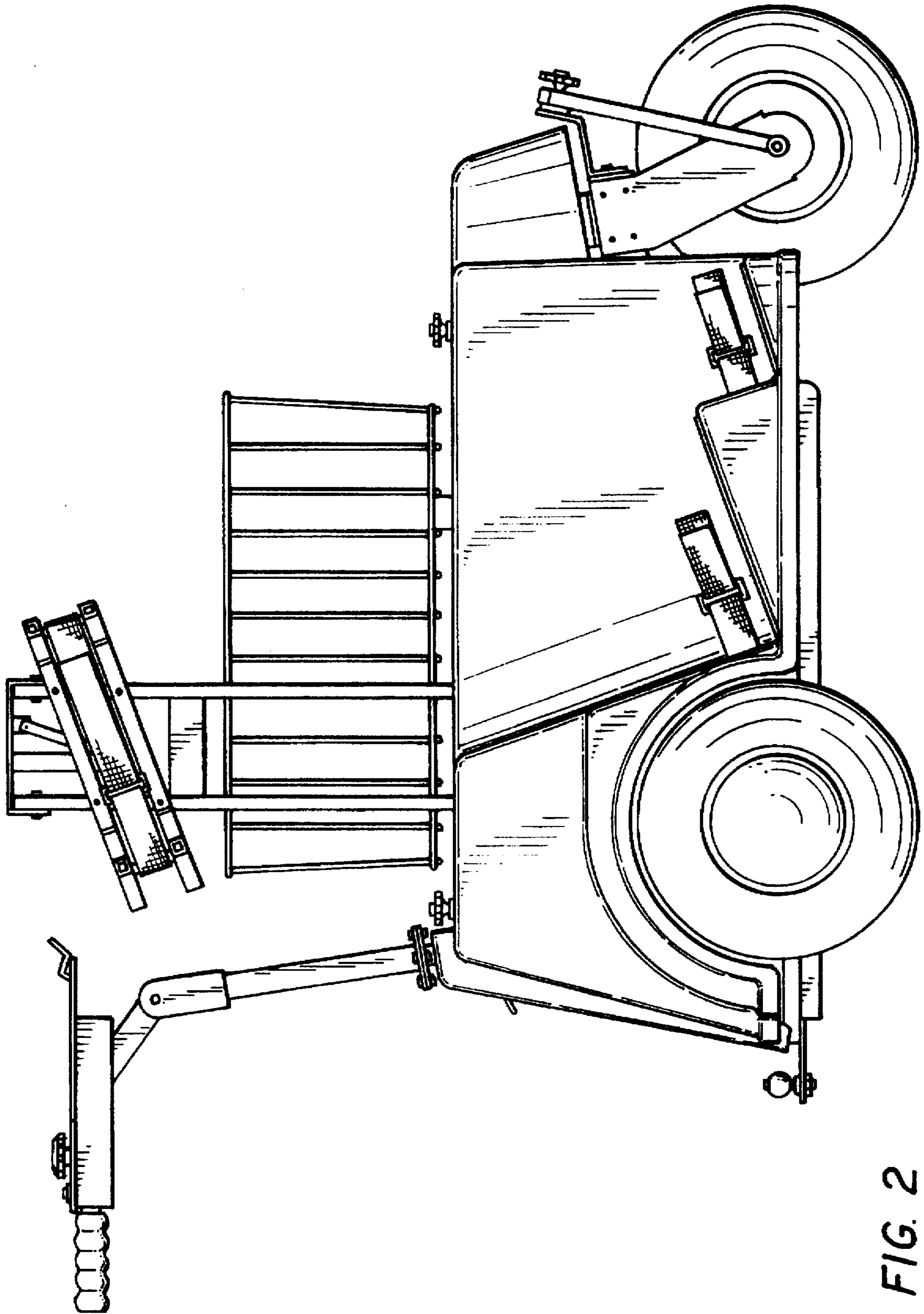


FIG. 2

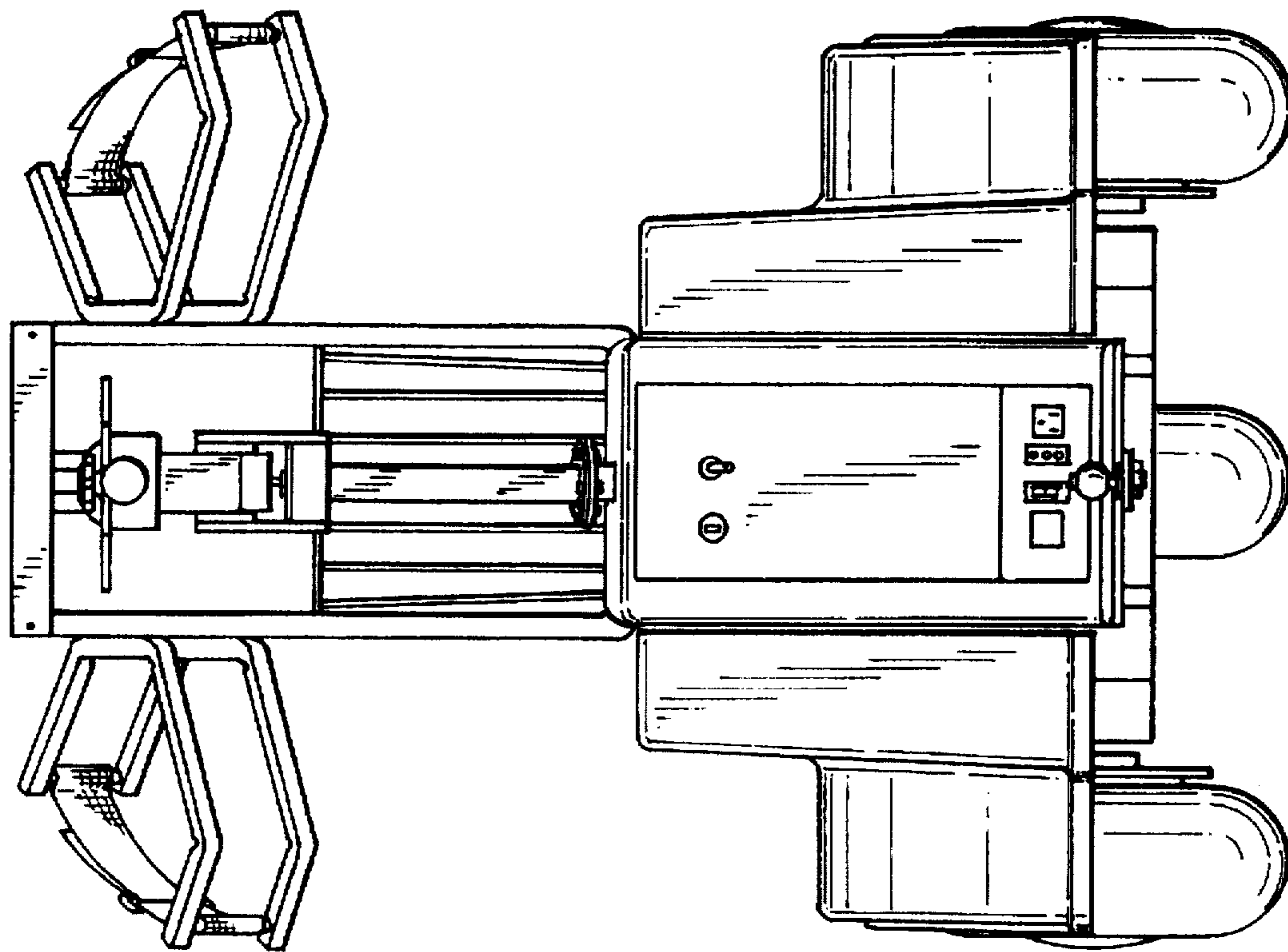


FIG. 4

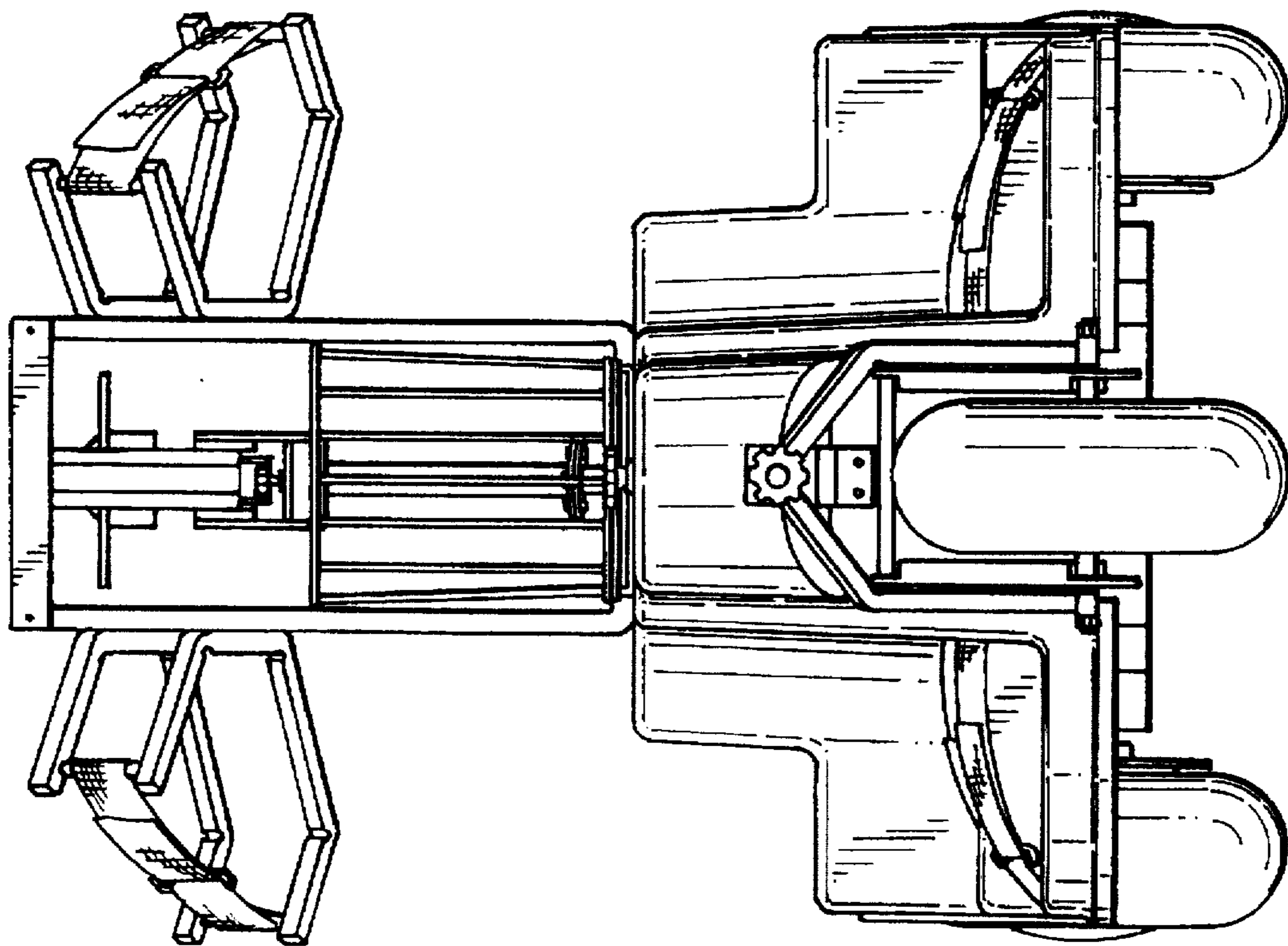


FIG. 3

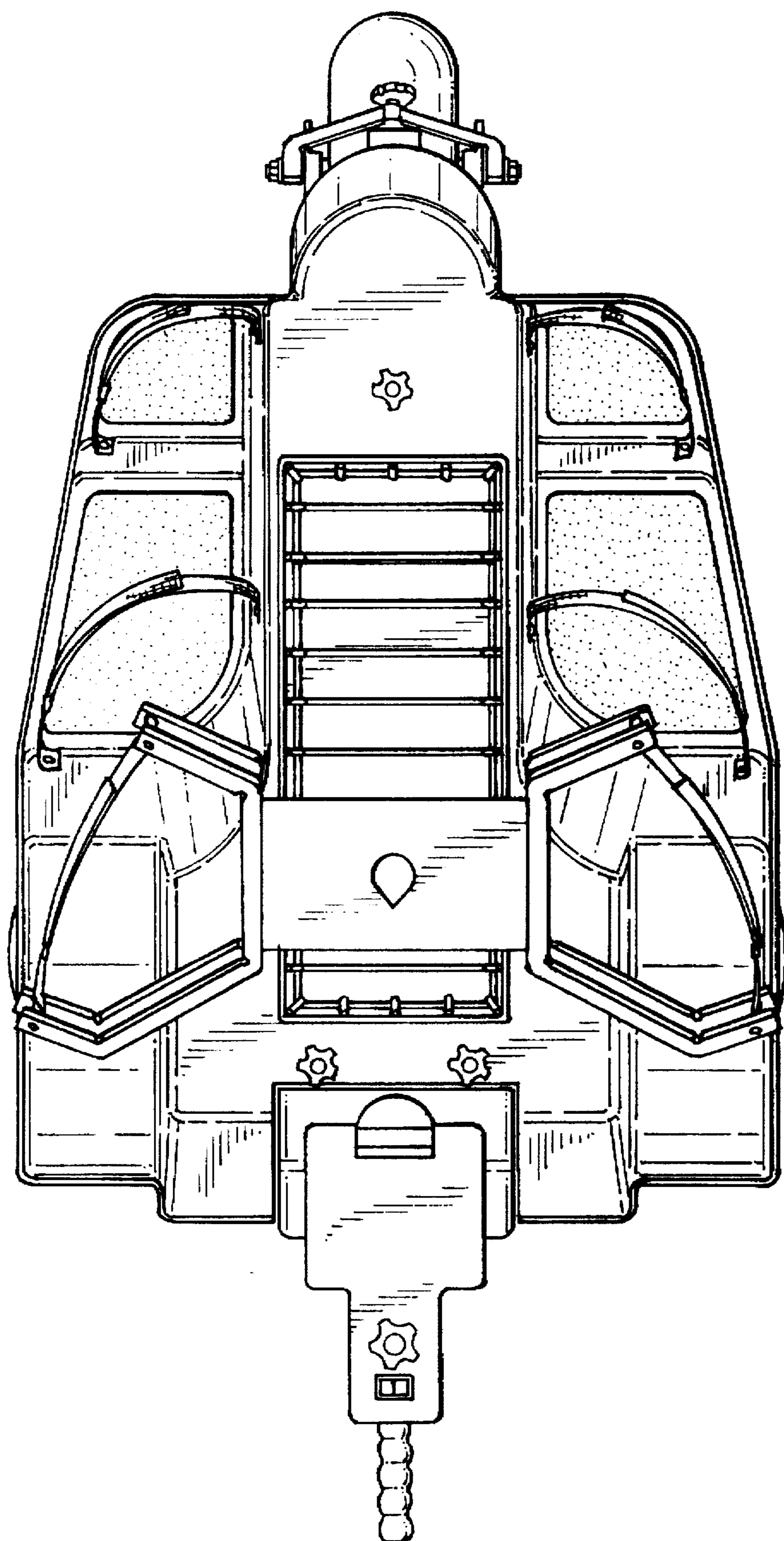


FIG. 5

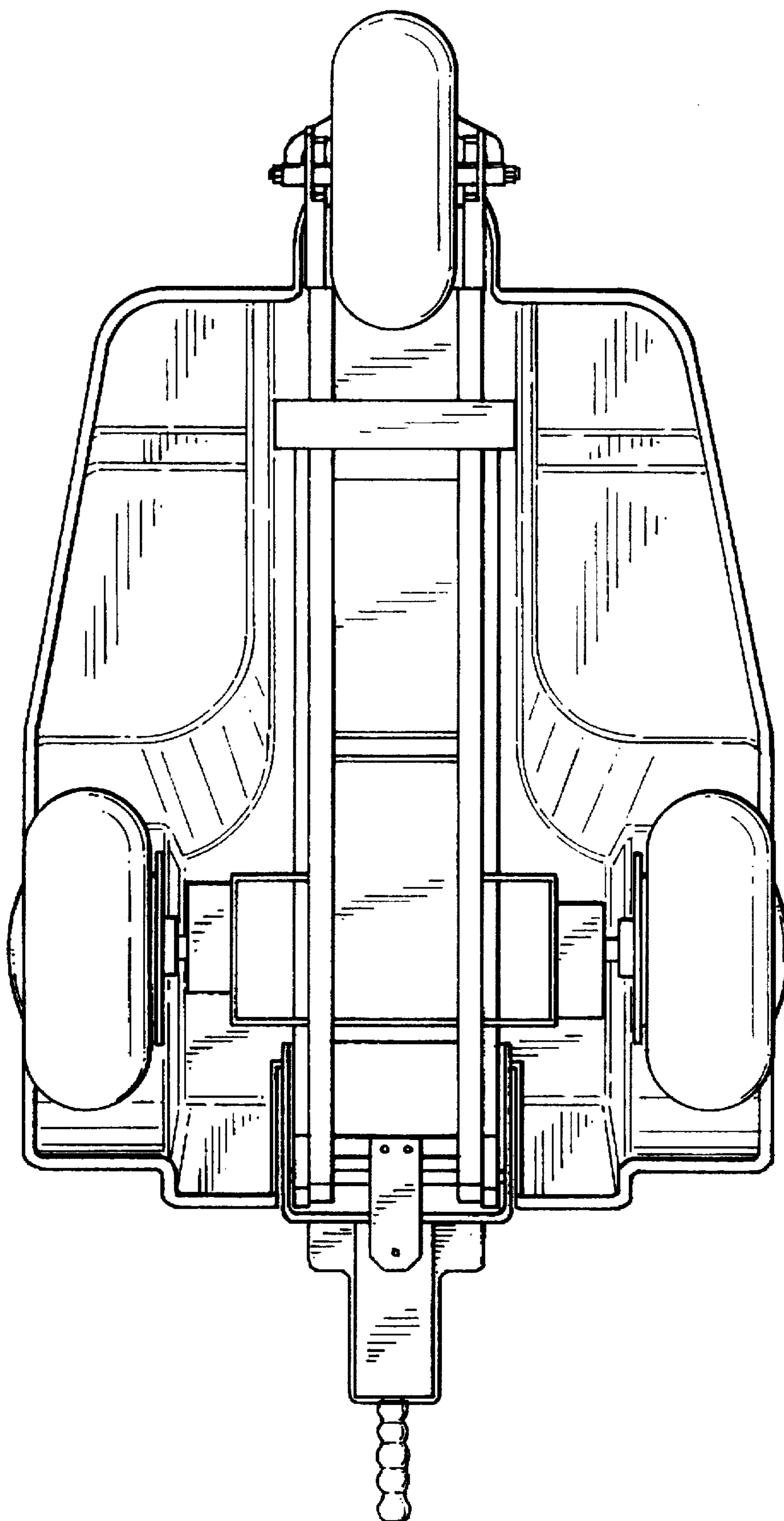


FIG. 6