



US00D393508S

# United States Patent [19]

Rademacher

[11] Patent Number: **Des. 393,508**

[45] Date of Patent: **\*\*Apr. 14, 1998**

[54] **SCRUBBER HOLDER**

[76] Inventor: **George G. Rademacher**, 313 River Ave., Point Pleasant Beach, N.J. 08742

[\*\*] Term: **14 Years**

[21] Appl. No.: **59,636**

[22] Filed: **Aug. 28, 1996**

[51] LOC (6) Cl. .... **04-01**

[52] U.S. Cl. .... **D32/52**

[58] Field of Search ..... **D32/35, 40; 15/244.1, 15/209.1**

2,629,890	3/1953	Giovanna .....	D32/52 X
2,792,583	5/1957	Alfano .....	D32/52 X
5,542,352	8/1996	Blackman et al. ....	101/483

Primary Examiner—Susan J. Lucas  
Assistant Examiner—Cynthia E. Ramirez  
Attorney, Agent, or Firm—Hedman, Gibson & Costigan, P.C

## [57] CLAIM

The ornamental design for a scrubber holder, as shown and described.

## DESCRIPTION

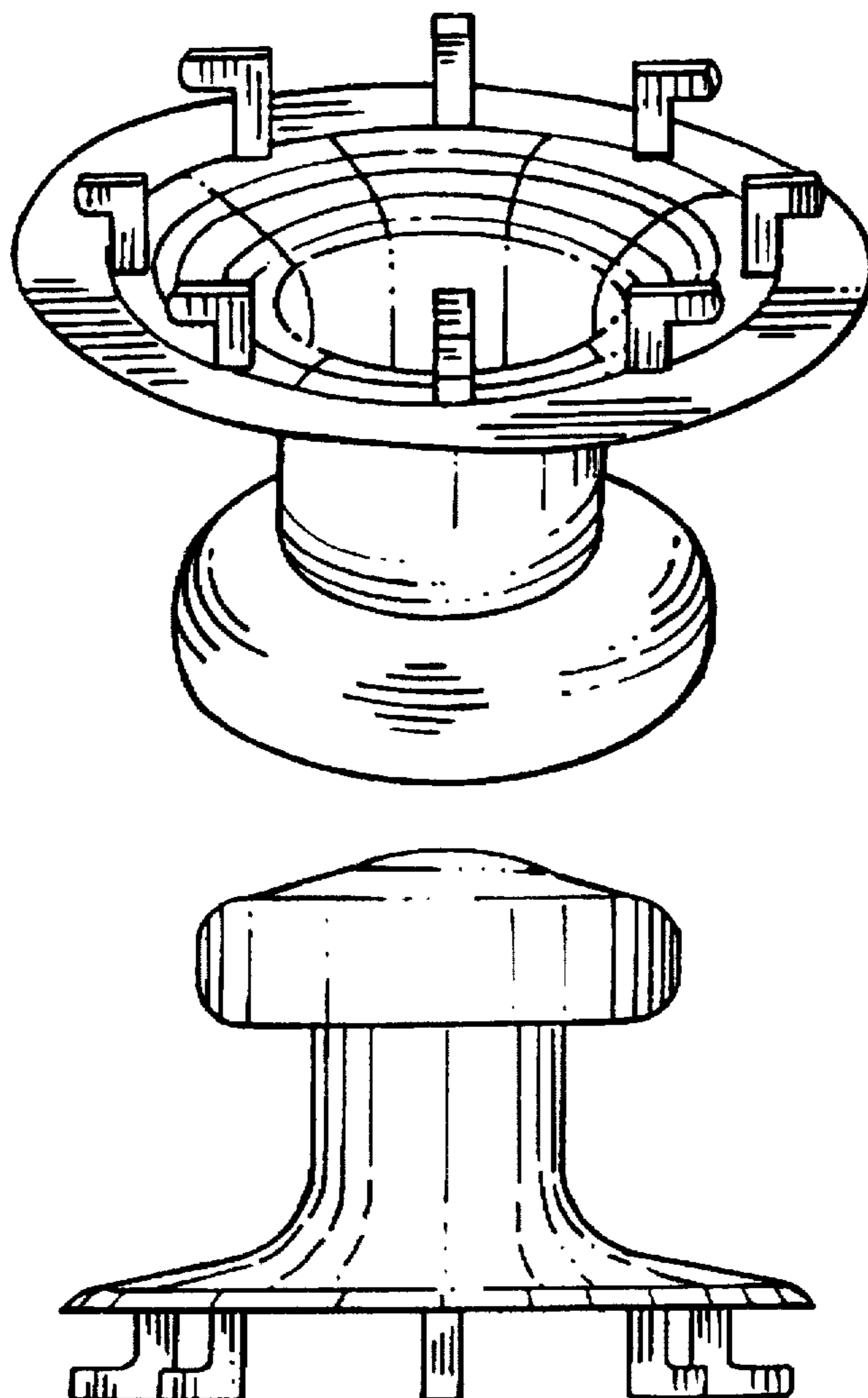
FIG. 1 is a top perspective view of the scrubber holder of the present invention;  
FIG. 2 is a perspective view from the bottom thereof;  
FIG. 3 is a side elevational view thereof;  
FIG. 4 is a side elevational view from the side opposite of the side shown in FIG. 3;  
FIG. 5 is a bottom plan view thereof; and,  
FIG. 6 is a top plan view thereof.

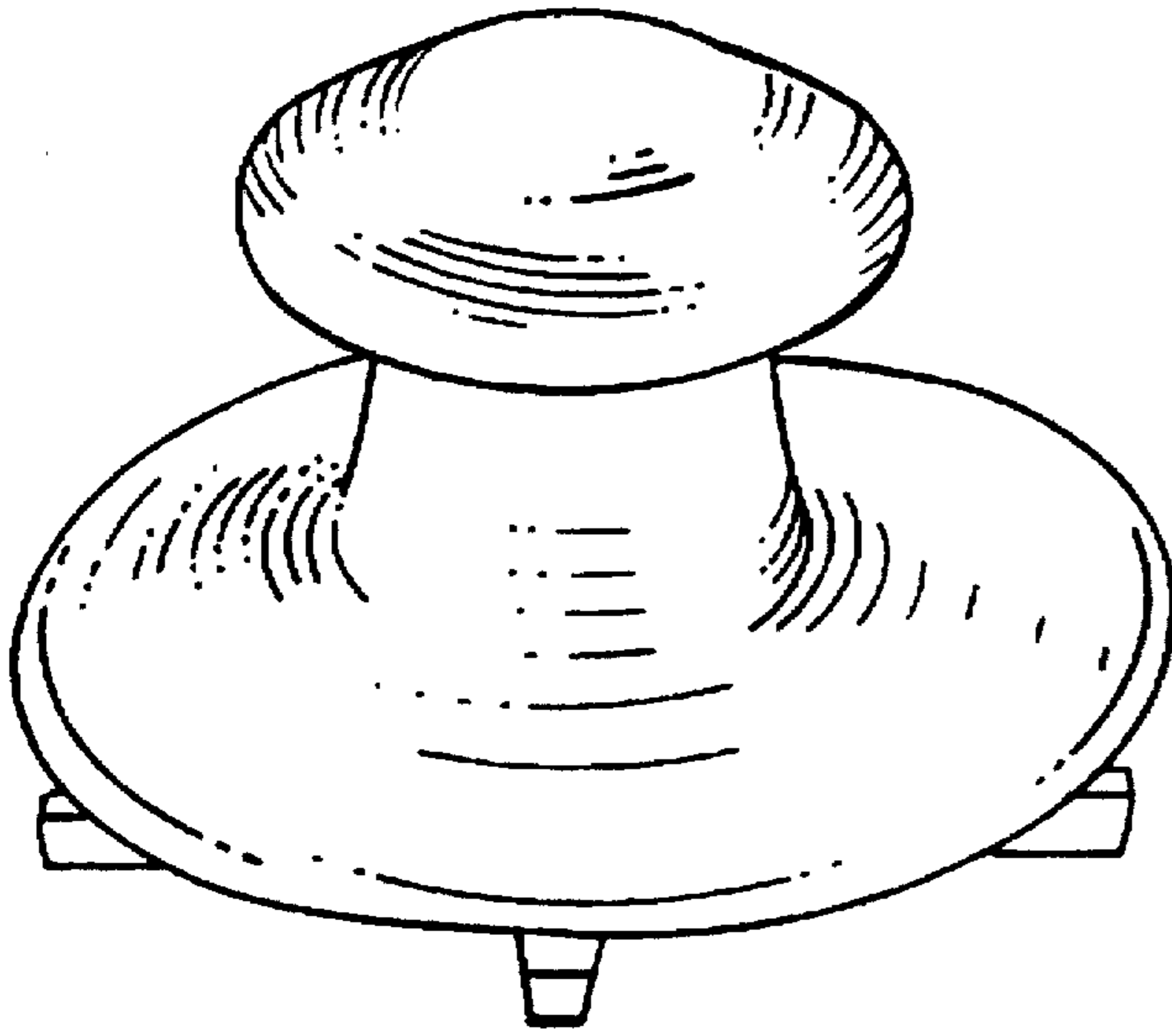
## [56] References Cited

### U.S. PATENT DOCUMENTS

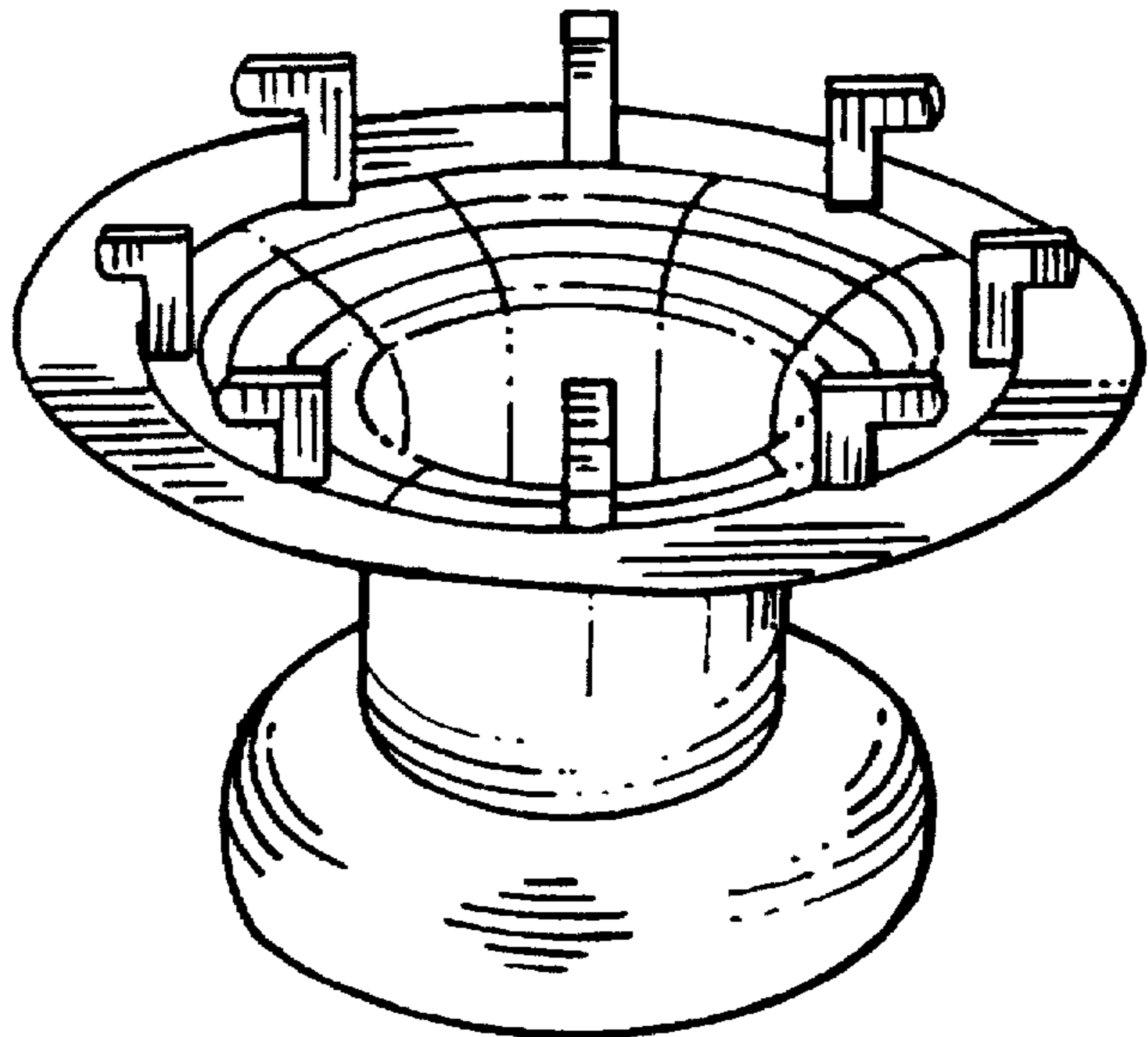
D. 86,242	2/1932	Kingman .....	D32/52
D. 233,879	12/1974	Howard .....	D32/52
D. 242,893	1/1977	Silver .....	D32/52
D. 297,873	9/1988	Silver .....	D32/52
2,012,500	8/1935	Ebert et al. ....	D32/52 X
2,242,947	5/1941	Griffis .	

1 Claim, 3 Drawing Sheets

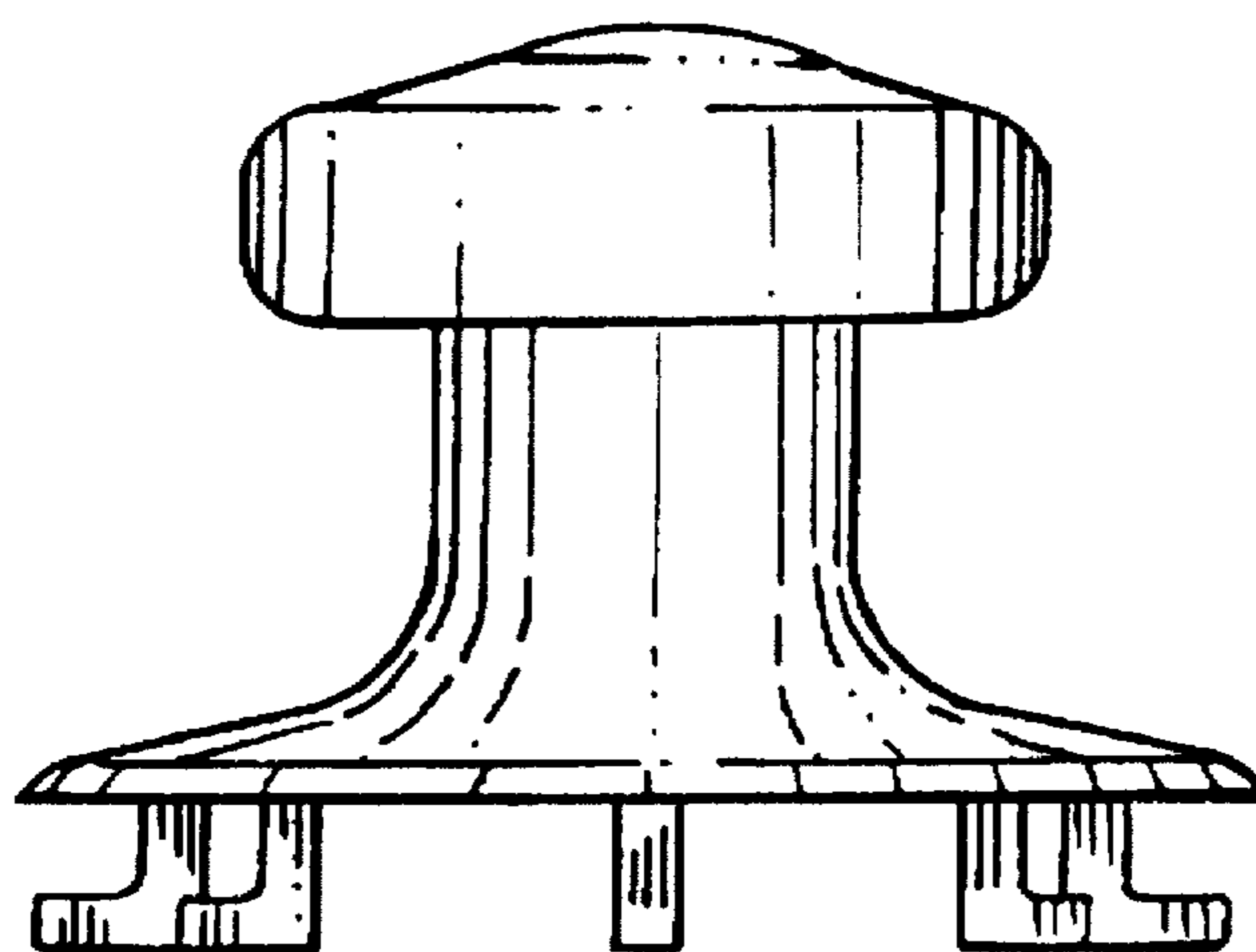




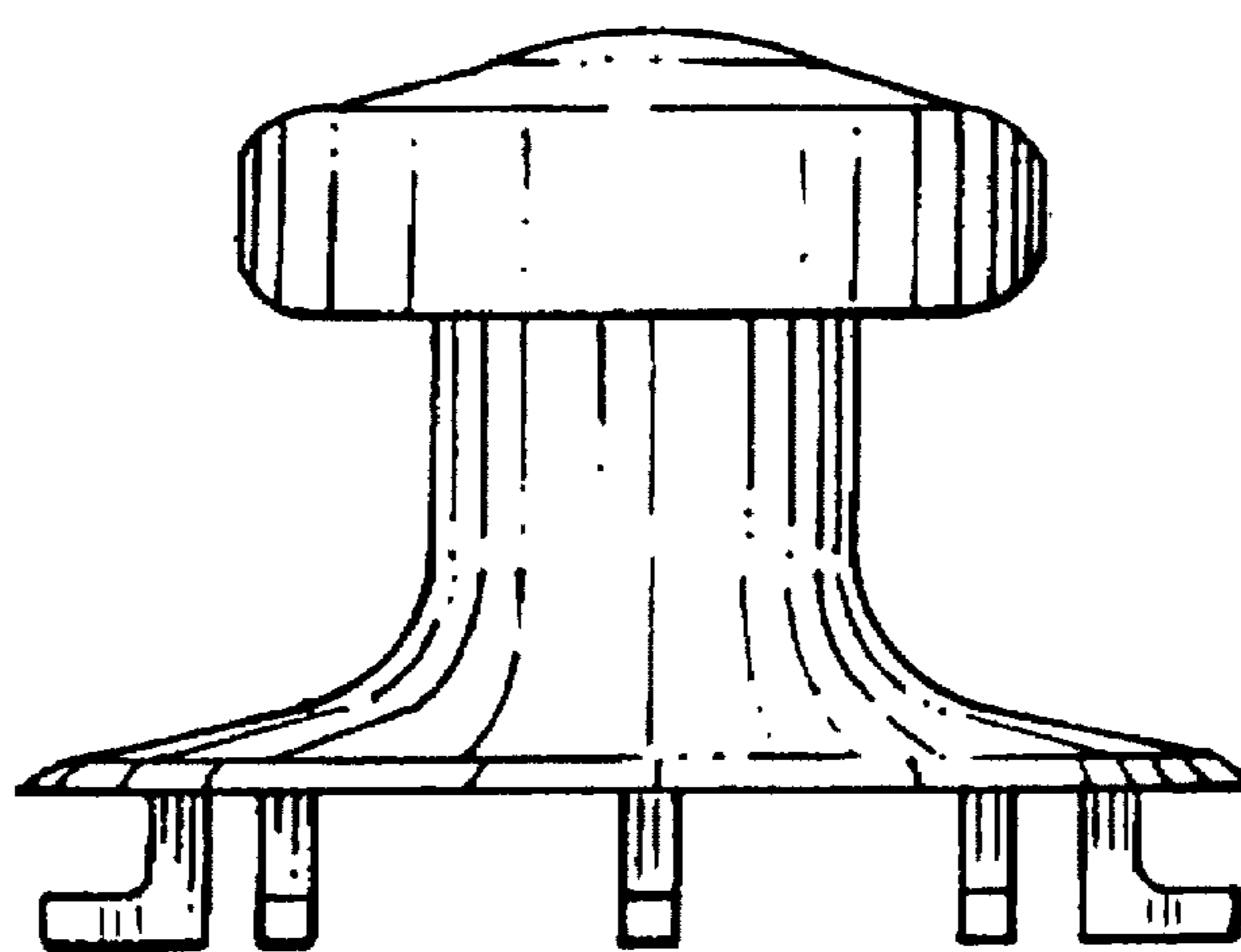
**FIG. 1**



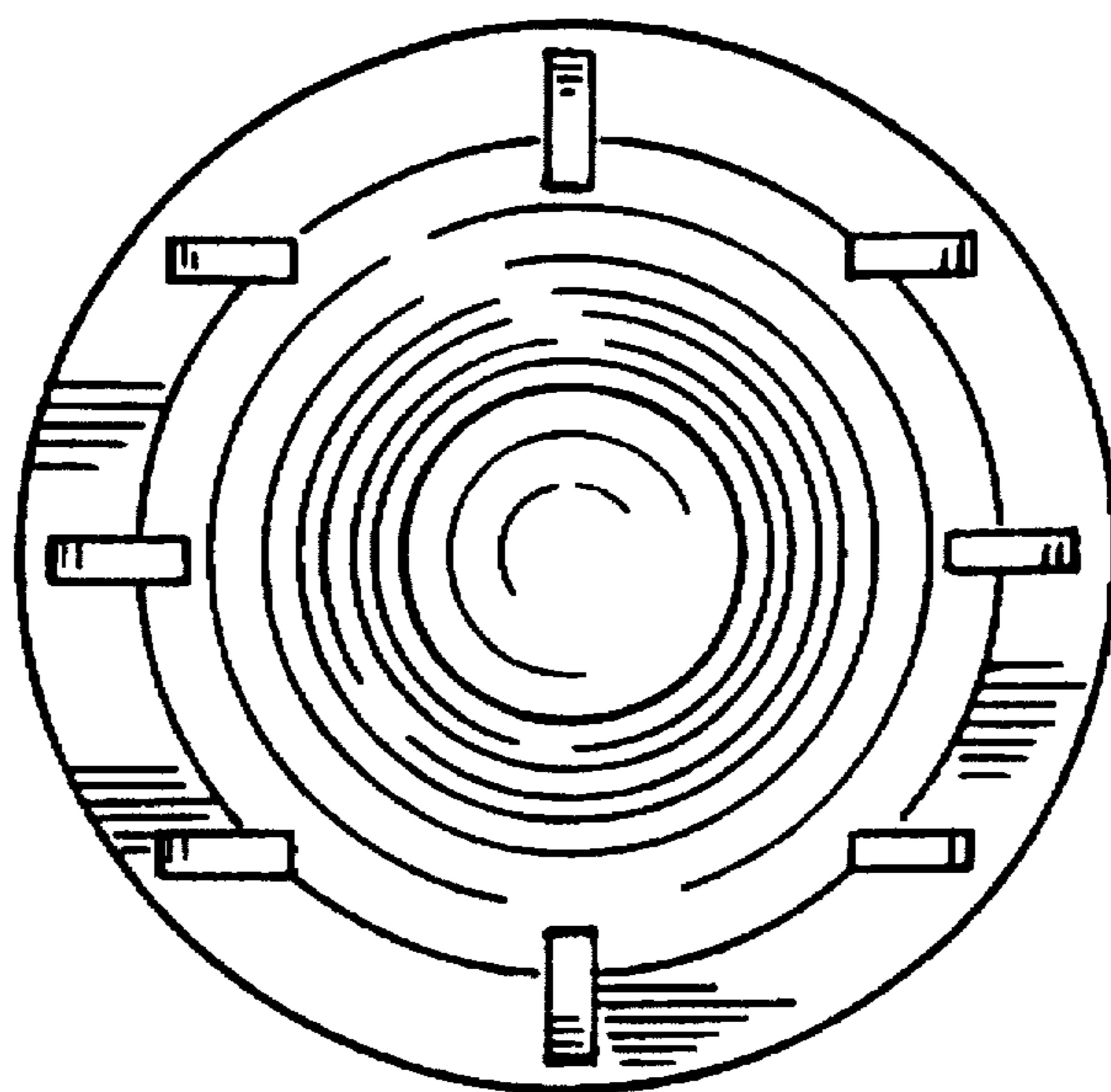
**FIG. 2**



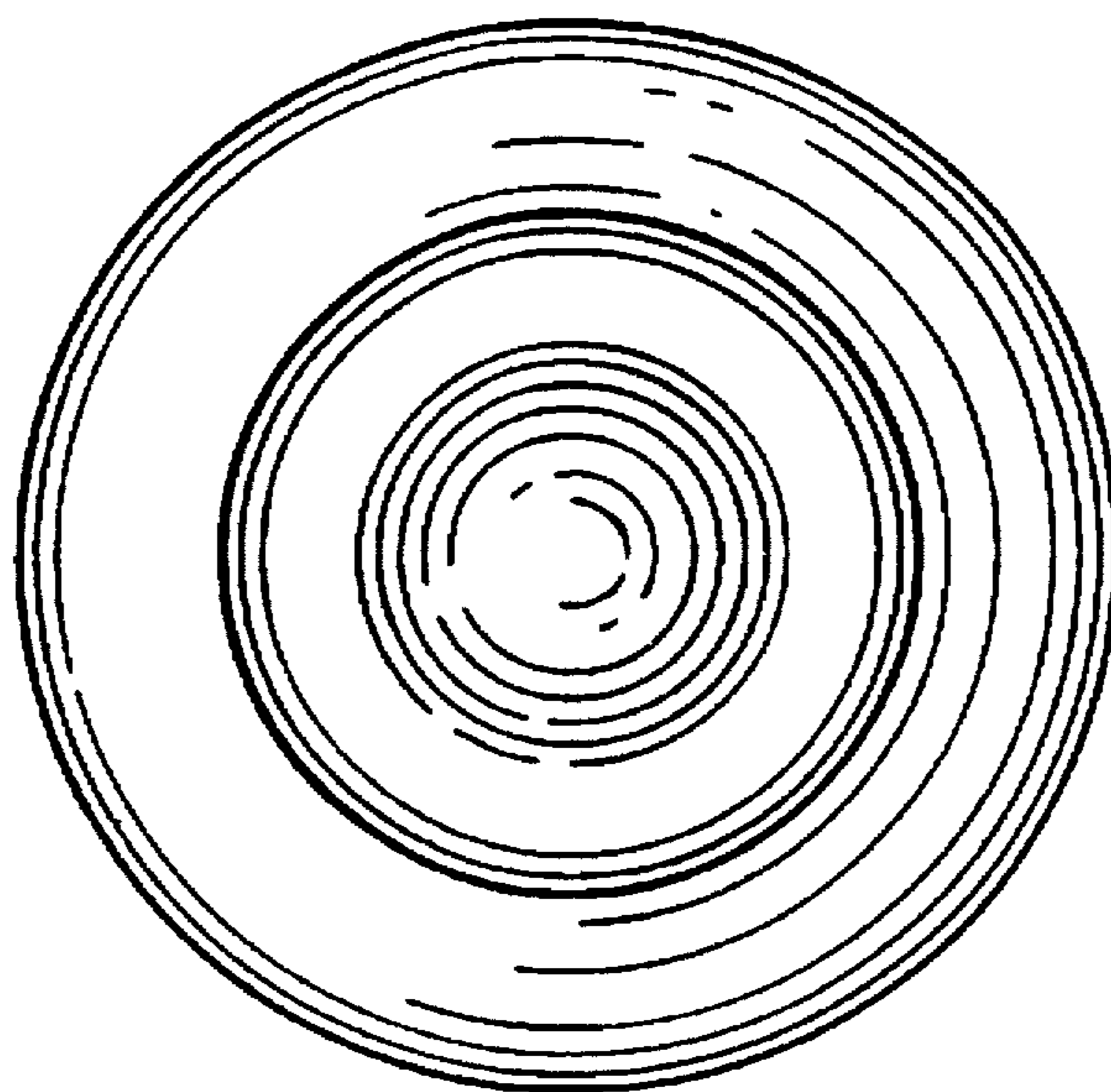
*FIG. 3*



*FIG. 4*



**FIG. 5**



**FIG. 6**