



US00D393507S

United States Patent [19]
Jimison

[11] **Patent Number: Des. 393,507**
[45] **Date of Patent: **Apr. 14, 1998**

[54] **FRUIT CLEANER**
[76] **Inventor: James W. Jimison, 360 Fulton St., Palo Alto, Calif. 94301**
[**] **Term: 14 Years**
[21] **Appl. No.: 68,818**
[22] **Filed: Mar. 28, 1997**

2,209,275	7/1940	Lawrence	15/210.1
2,530,746	11/1950	Wethreby	15/104.94
2,575,149	11/1951	Watson .	
2,968,825	1/1961	Wetherby .	
2,975,955	3/1961	McCurry .	
3,107,842	10/1963	Guilfoyle	383/62
3,203,551	8/1965	Van Loan, Jr.	383/91 X
3,259,301	7/1966	Onasch .	
4,944,051	7/1990	Porter .	
5,545,419	8/1996	Brady et al.	383/109 X

Related U.S. Application Data

[63] **Continuation-in-part of Ser. No. 37,144, Apr. 5, 1995, Pat. No. Des. 383,576, which is a continuation-in-part of Ser. No. 37,145, Apr. 5, 1995, Pat. No. Des. 381,145, which is a continuation-in-part of Ser. No. 80,660, Jun. 18, 1993, abandoned.**
[51] **LOC (6) Cl. 08-99**
[52] **U.S. Cl. D32/35; D9/305**
[58] **Field of Search 4/638; 383/62, 383/109, 111, 91, 112, 117, 118, 902; D9/306, 305, 302, 345; 15/3.1, 208, 209.1, 210.1, 229.4**

Primary Examiner—Susan J. Lucas
Assistant Examiner—Cynthia E. Ramirez
Attorney, Agent, or Firm—Carol D. Titus; James J. Leary

[57] **CLAIM**

The ornamental design for a fruit cleaner, as shown and described.

DESCRIPTION

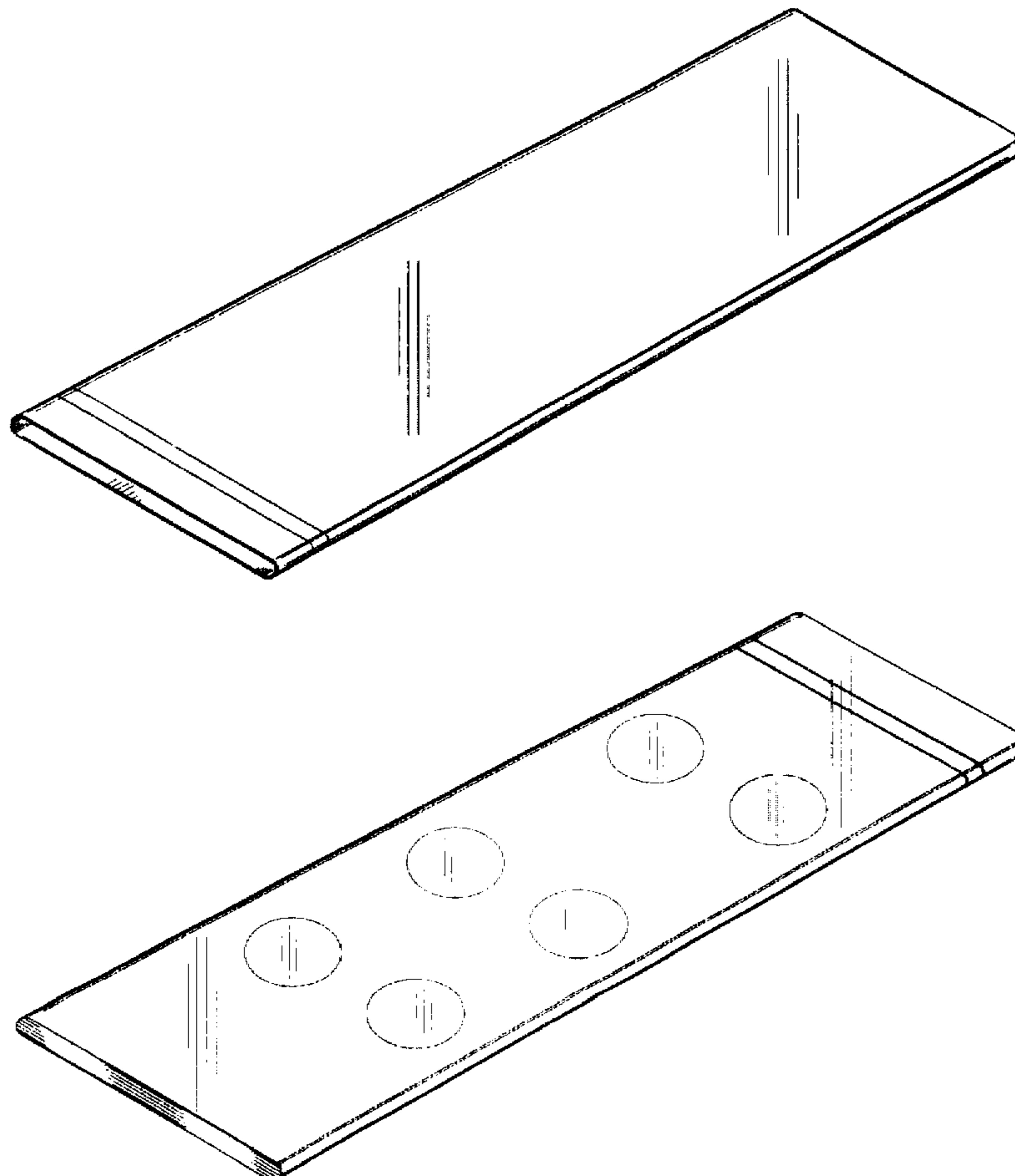
FIG. 1 is a top perspective view of the fruit cleaner;
FIG. 2 is a bottom perspective view thereof;
FIG. 3 is a back side view thereof;
FIG. 4 is a top view thereof;
FIG. 5 is a front side view thereof;
FIG. 6 is a right side view thereof, the left side view being identical thereto; and,
FIG. 7 is a bottom view thereof.

[56] **References Cited**

U.S. PATENT DOCUMENTS

D. 381,145 7/1997 Jimison D32/35
1,872,640 8/1932 Pink .

1 Claim, 2 Drawing Sheets



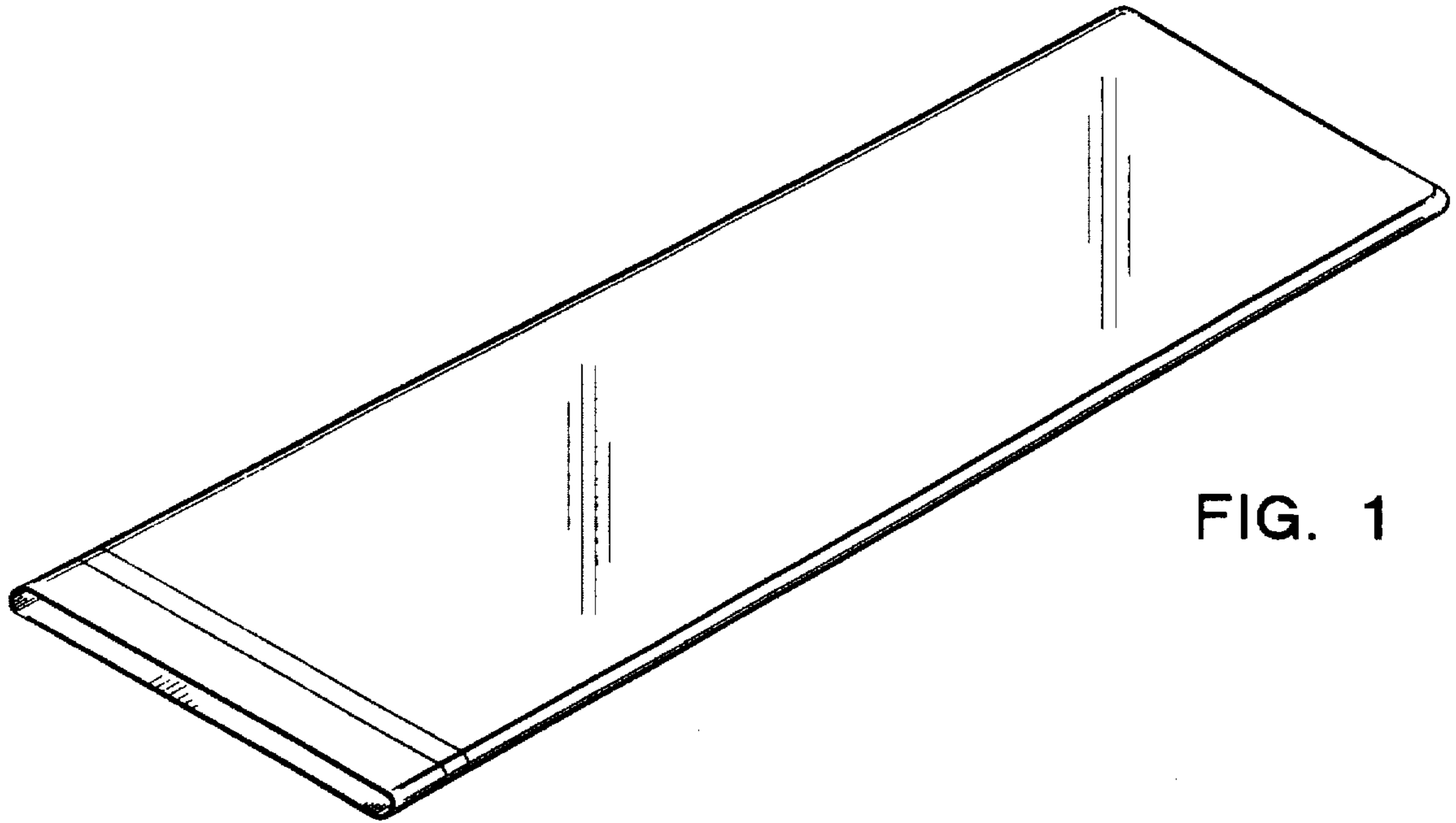


FIG. 1

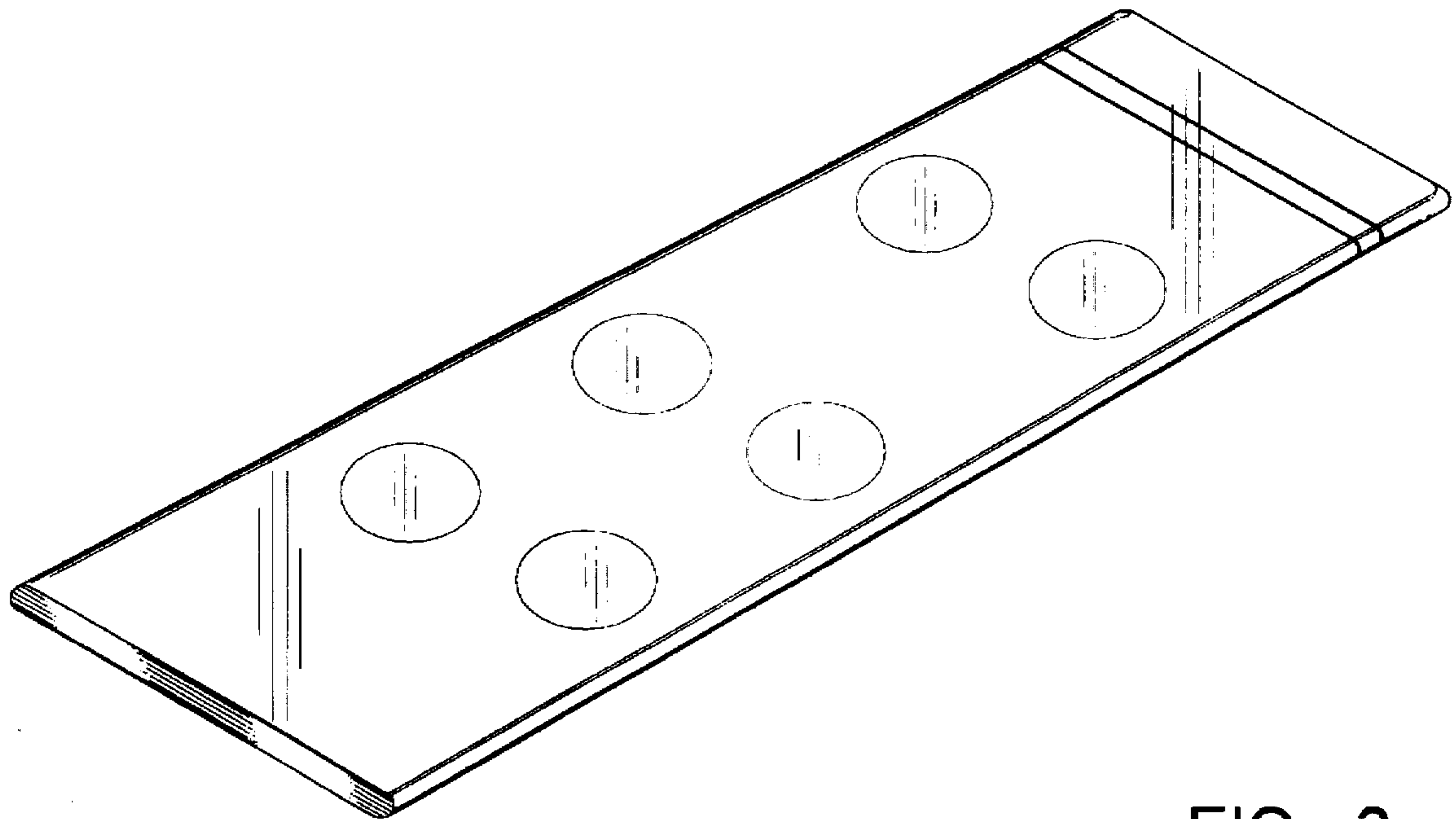


FIG. 2

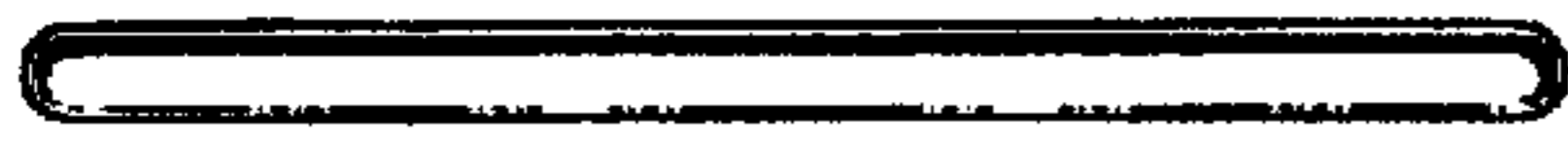


FIG. 3

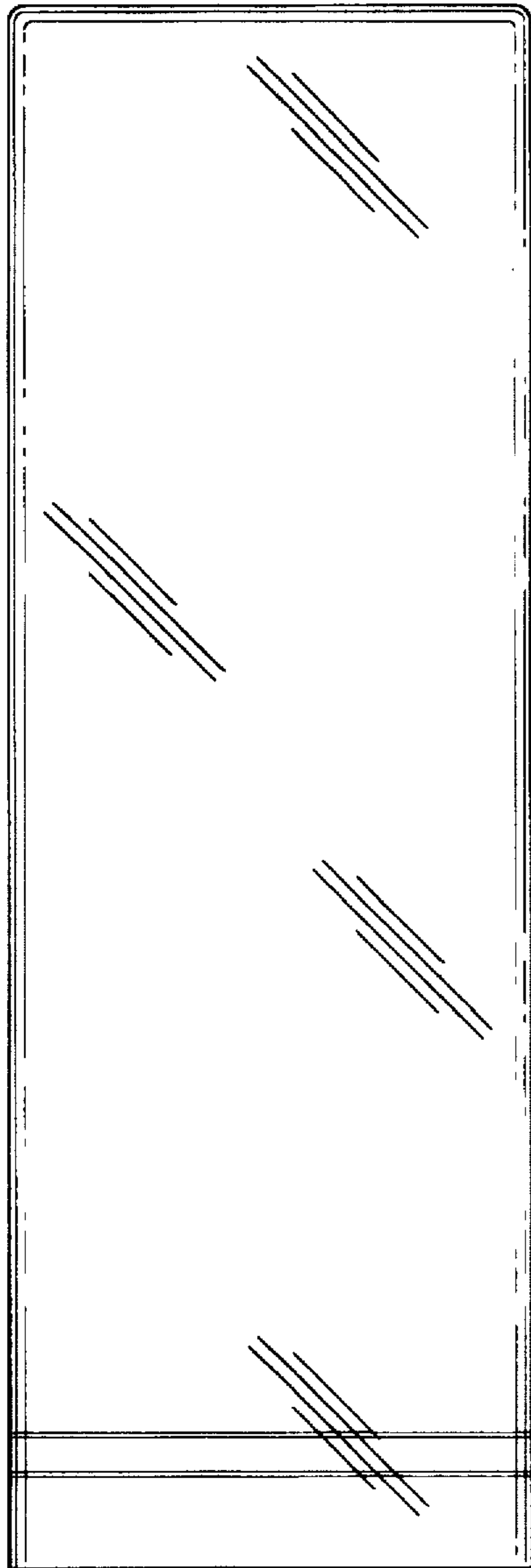


FIG. 4

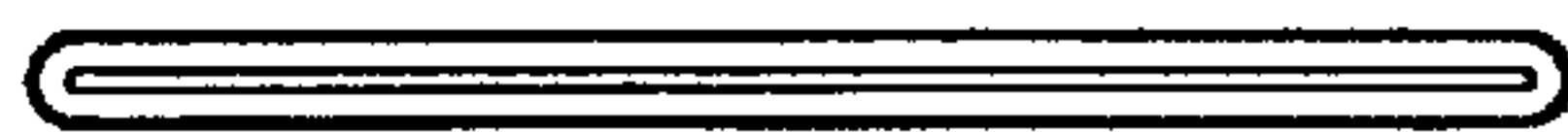


FIG. 5



FIG. 6

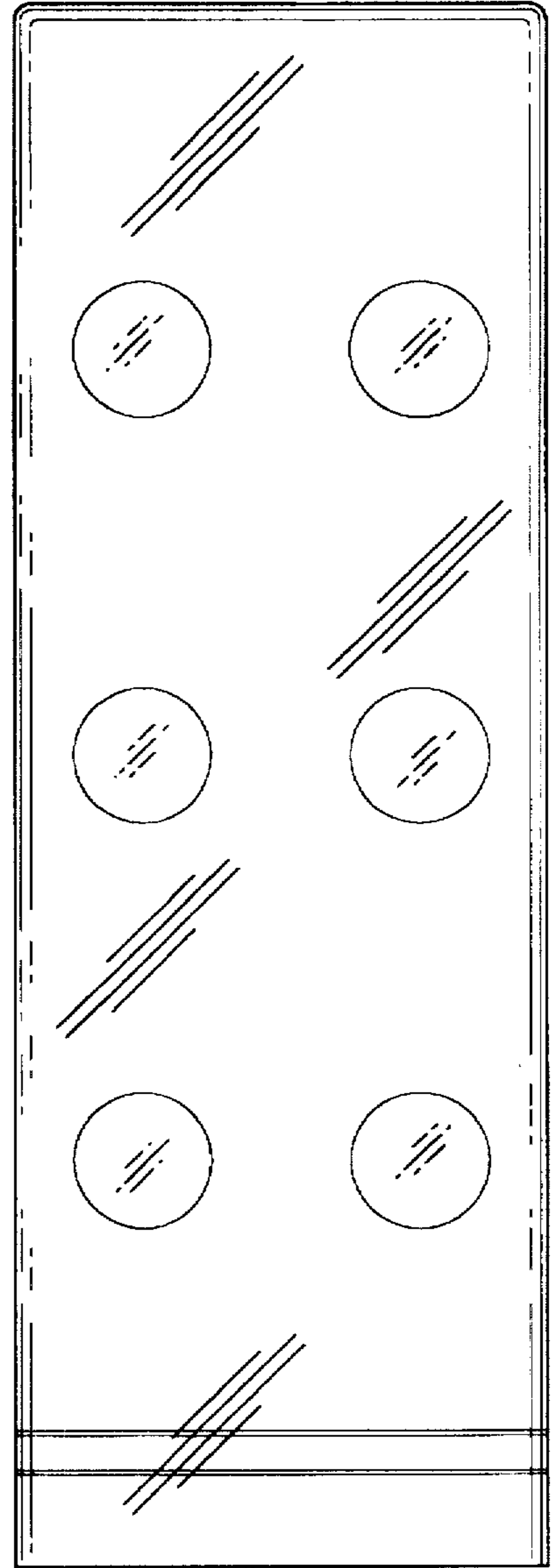


FIG. 7