

US00D393506S

# United States Patent [19]

[11] Patent Number: Des. 393,506

Ohi et al.

[45] Date of Patent: \*\*Apr. 14, 1998

[54] **COMBINED BLOWER AND NOZZLE ATTACHMENT**

D. 359,603	6/1995	Rakocy et al. ....	D32/15
D. 361,414	8/1995	Trautloff et al. ....	D32/15
3,441,089	4/1969	Minton .	
4,187,577	2/1980	Hansen et al. .	
4,404,706	9/1983	Loyd .	
5,031,395	7/1991	Ohkanda et al. .	

[75] Inventors: **Taku Ohi, Chandler; Kenneth M. Brazell, Phoenix; Naoki Kikuchi, Chandler, all of Ariz.**

[73] Assignee: **Ryobi North America, Easley, S.C.**

[\*\*] Term: **14 Years**

[21] Appl. No.: **57,517**

[22] Filed: **Jul. 26, 1996**

[51] LOC (6) Cl. .... **15-05**

[52] U.S. Cl. .... **D32/15**

[58] Field of Search ..... D32/15; 15/344, 15/345, 405, 406

### OTHER PUBLICATIONS

Brochure on Maruyama Hedge Trimmer Attachment no date.

Brochure on Jonesred Hedge Trimmer Attachment no date.

*Primary Examiner*—Ruth McInroy

*Attorney, Agent, or Firm*—Brooks & Kushman P.C.

### [57] CLAIM

The ornamental design of a combined blower and nozzle attachment, as shown and described.

### DESCRIPTION

FIG. 1 is a perspective view of a combined blower and nozzle attachment showing our new design;

FIG. 2 is a top plan view thereof;

FIG. 3 is a bottom plan view thereof;

FIG. 4 is a left side elevational view thereof;

FIG. 5 is a right side elevational view thereof;

FIG. 6 is a front elevational view thereof; and

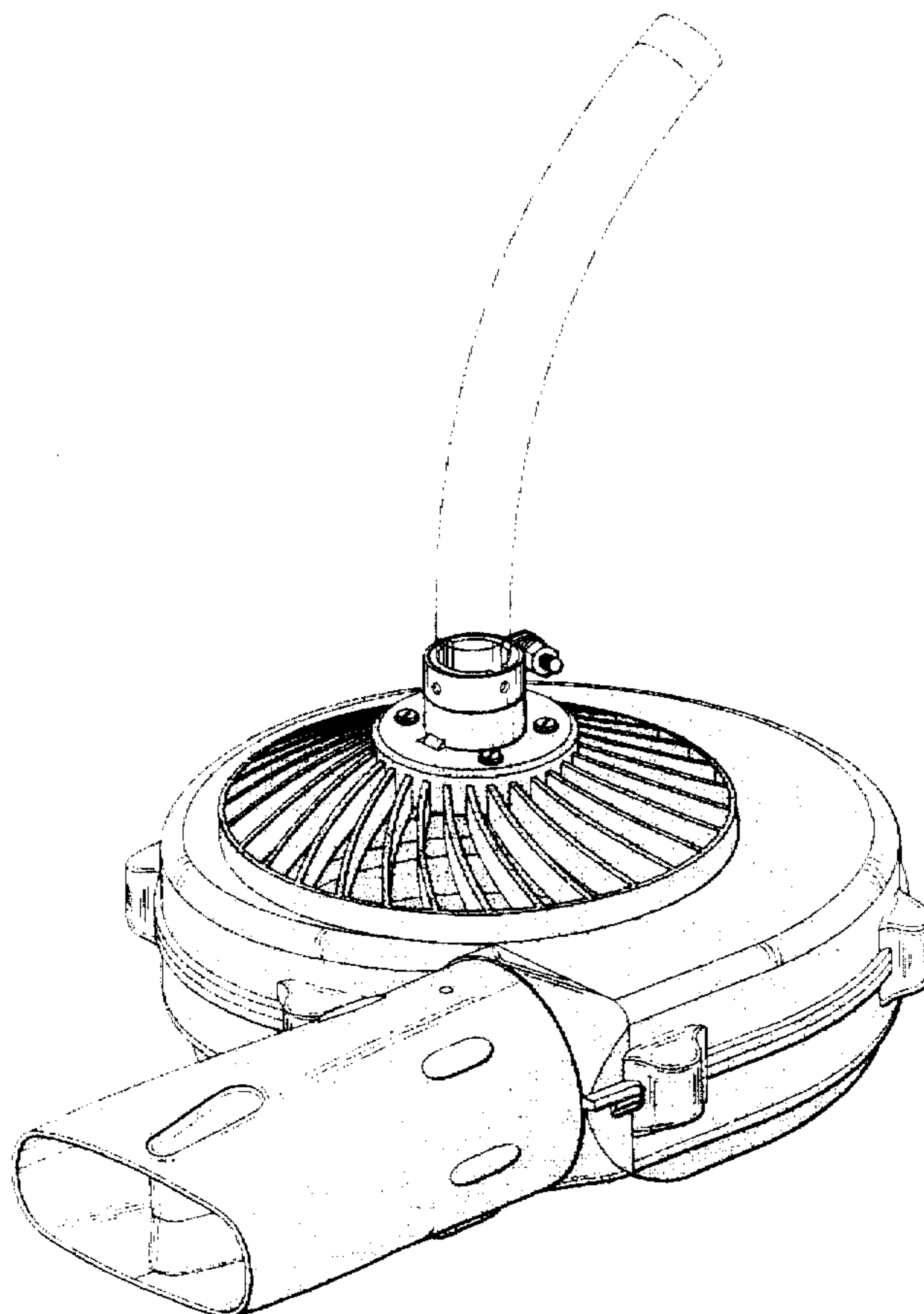
FIG. 7 is a rear elevational view thereof.

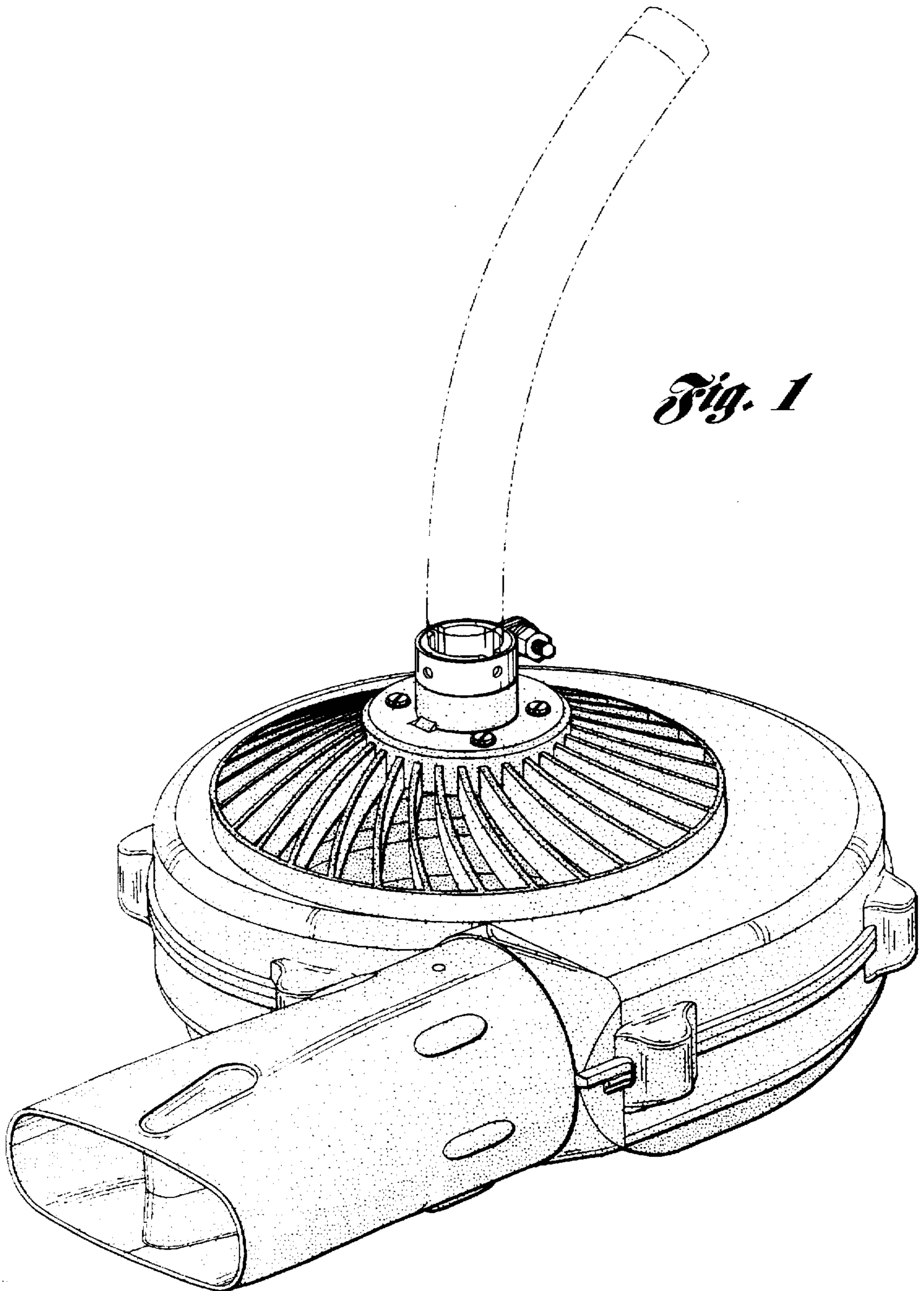
**1 Claim, 5 Drawing Sheets**

### [56] References Cited

#### U.S. PATENT DOCUMENTS

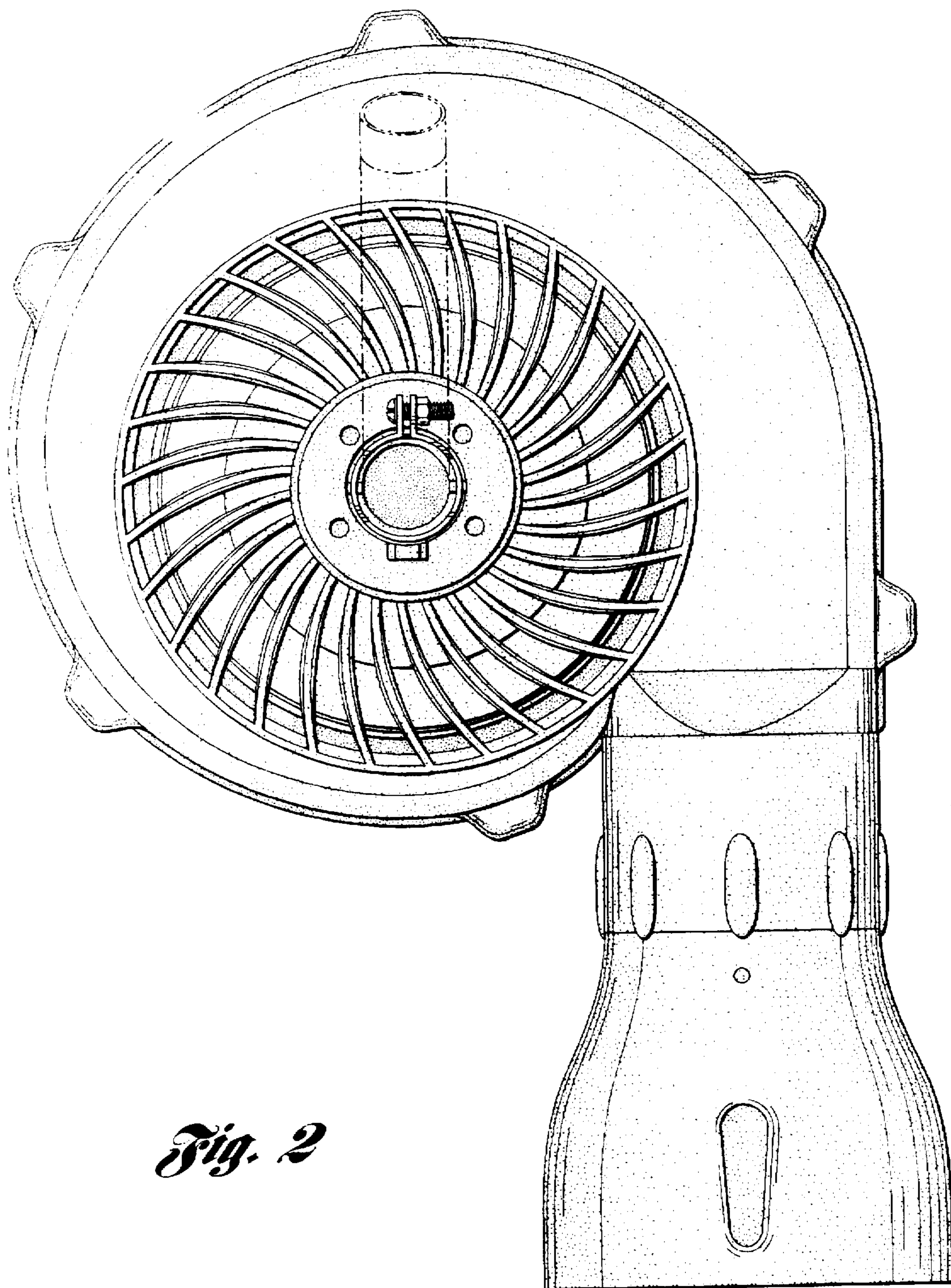
D. 258,908	4/1981	Satoh .	
D. 282,396	1/1986	Weaver .....	D32/15
285,132	8/1883	Smith et al. .	
D. 297,274	8/1988	Kimiya et al. .	
D. 305,816	1/1990	Berfield et al. ....	D32/15
D. 339,432	9/1993	Rakocy et al. ....	D32/15
D. 340,326	10/1993	Genovese .....	D32/15
D. 354,378	1/1995	McKnight et al. ....	D32/15
D. 357,774	4/1995	Kishi .	





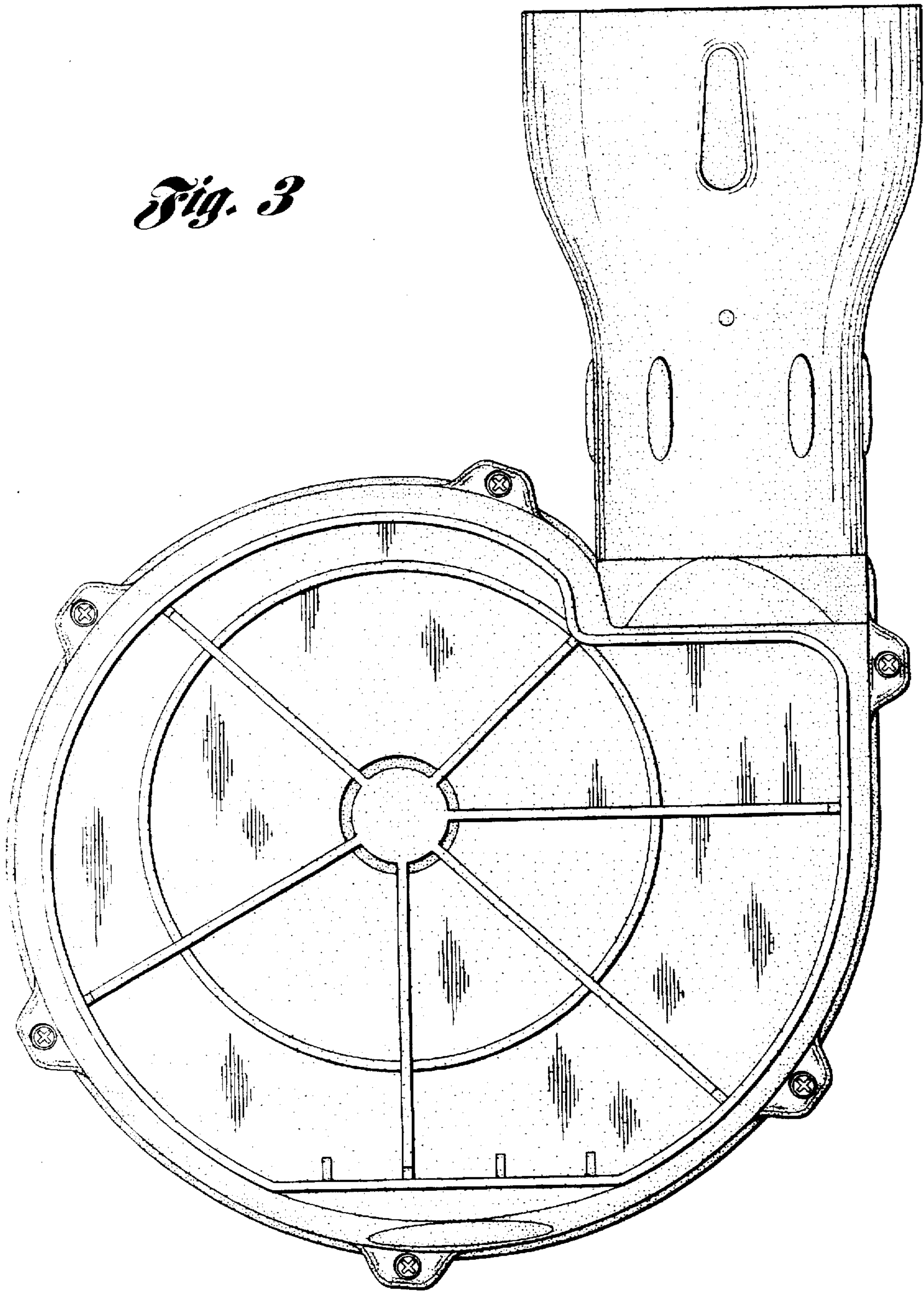
*Fig. 1*



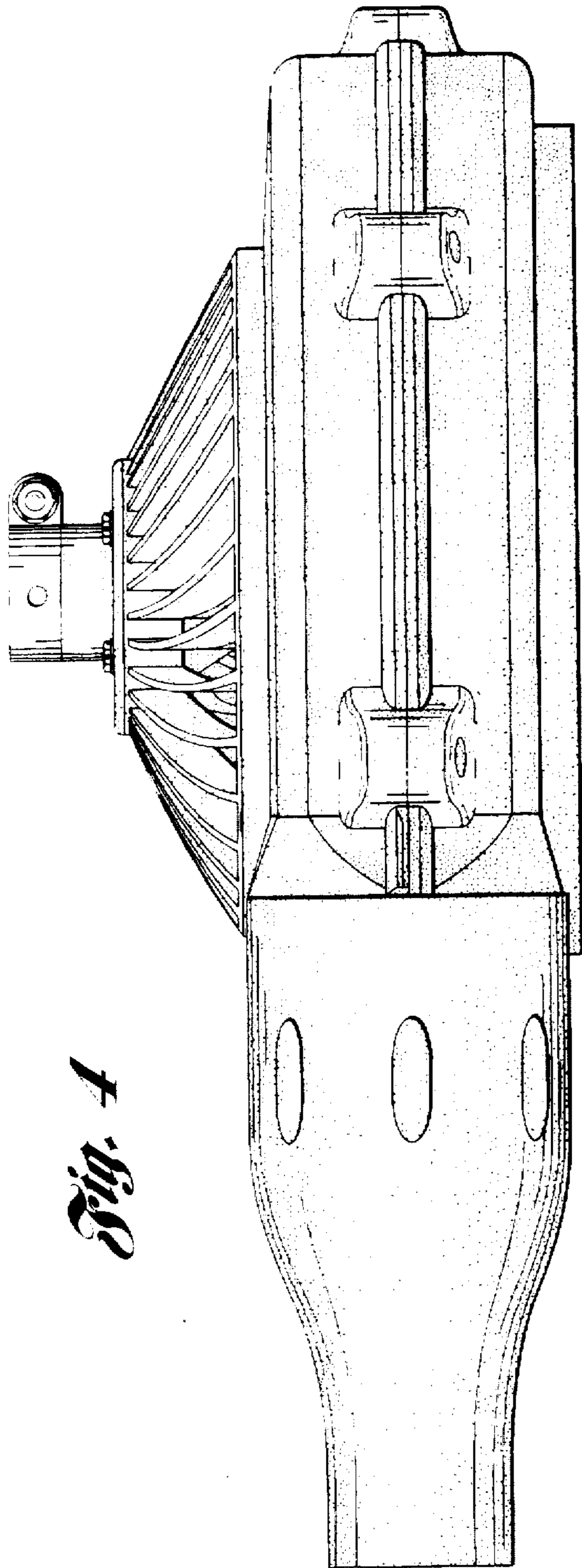


*Fig. 2*

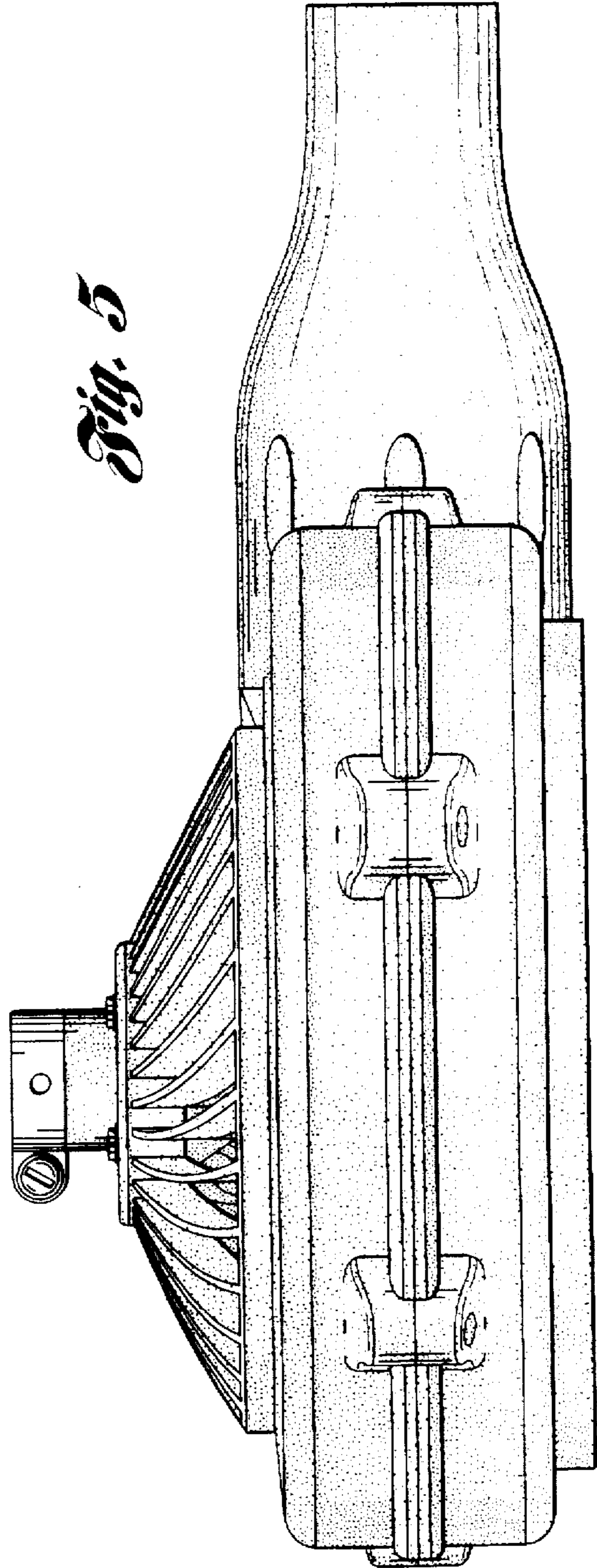
*Fig. 3*



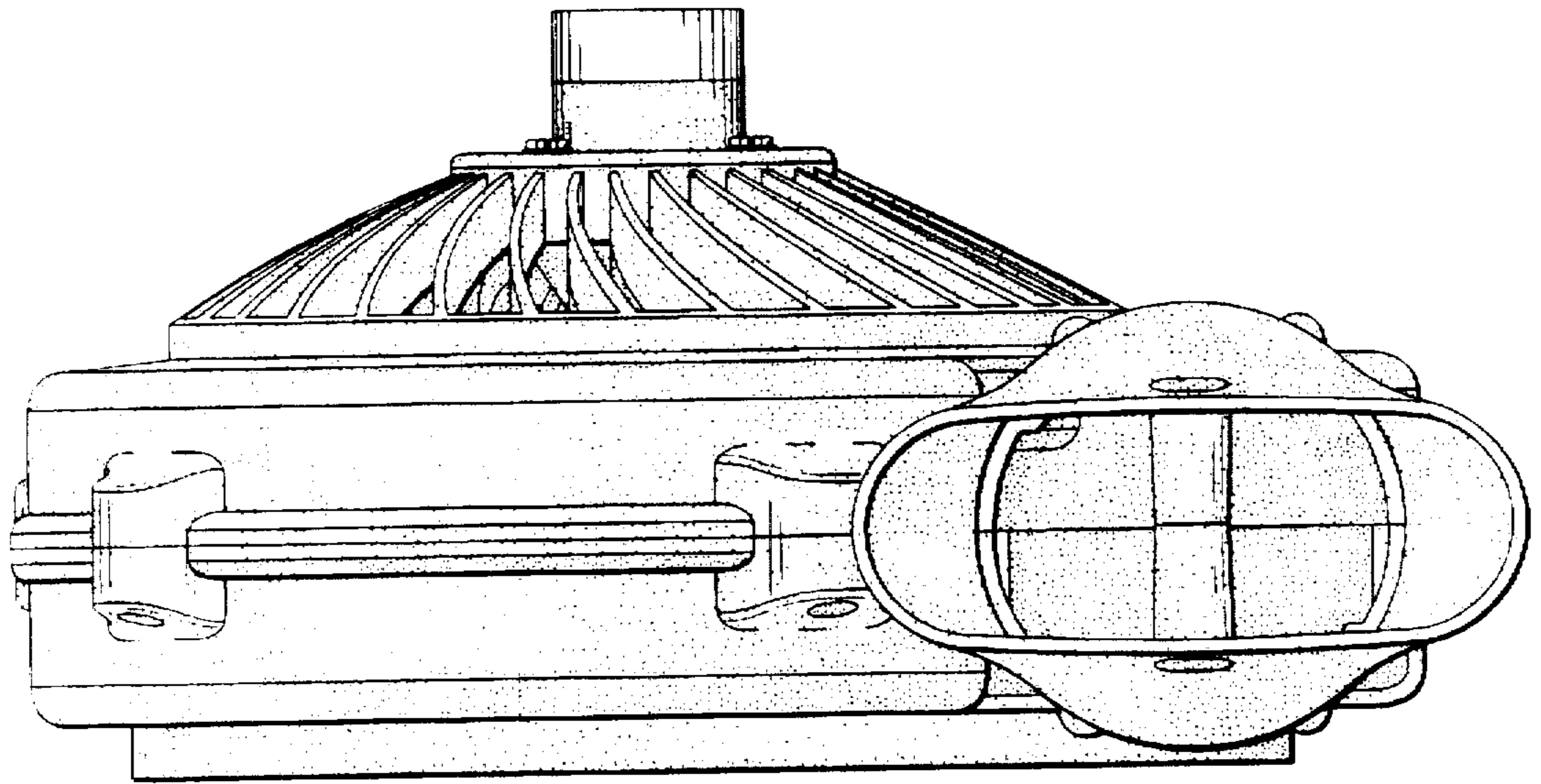




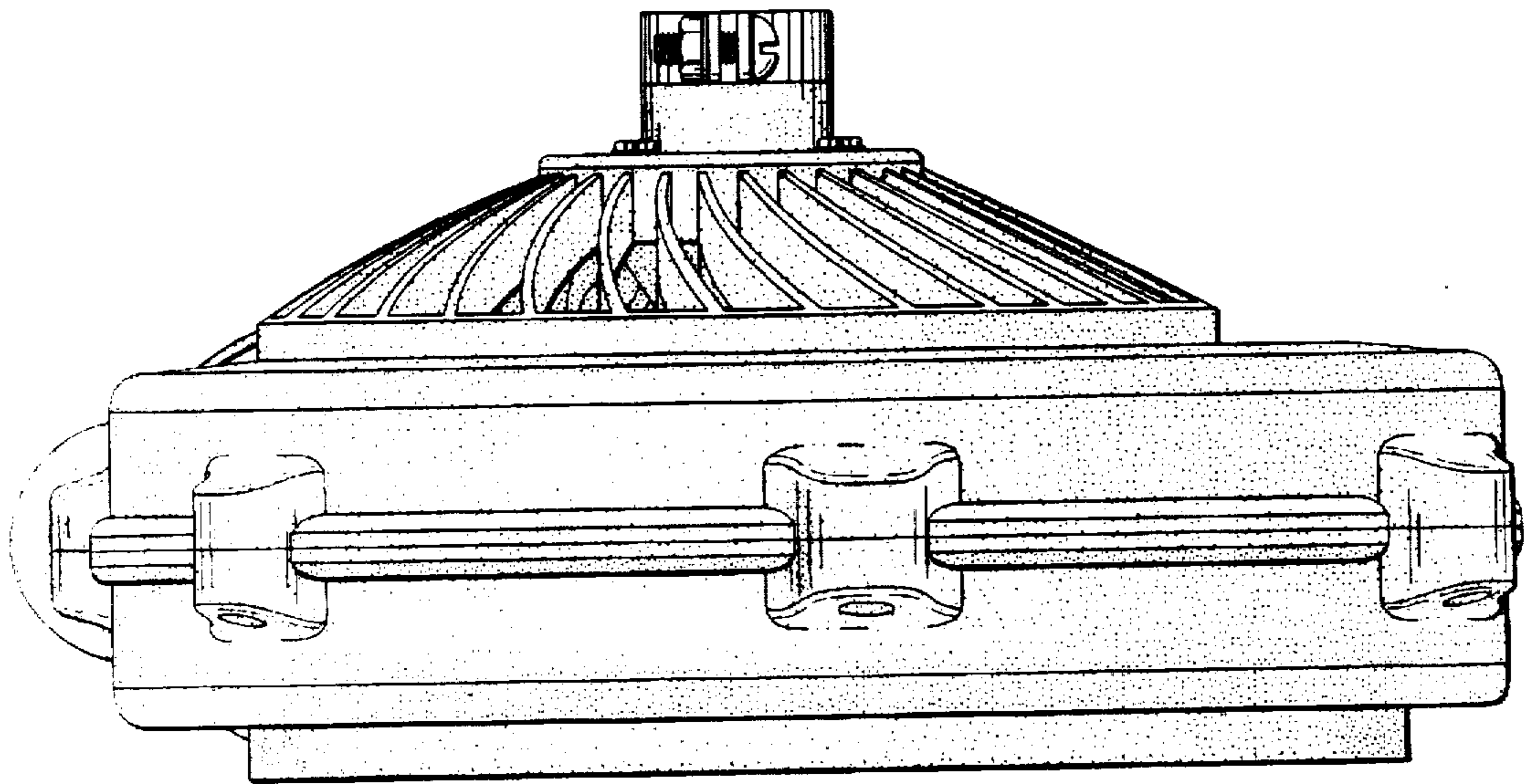
*Fig. 4*



*Fig. 5*



*Fig. 6*



*Fig. 7*