

US00D393495S

# United States Patent [19]

[11] Patent Number: **Des. 393,495**

**Blumenthal**

[45] Date of Patent: **\*\*Apr. 14, 1998**

- [54] **TOY STUNT TRACK**
- [76] Inventor: **Martin Blumenthal**, 99 Longview Ave., Chatham, N.J. 07928
- [\*\*] Term: **14 Years**
- [21] Appl. No.: **66,751**
- [22] Filed: **Feb. 20, 1997**
- [51] LOC (6) Cl. .... **21-01**
- [52] U.S. Cl. .... **D21/124; D21/143**
- [58] **Field of Search** .... D21/124, 128, D21/136, 143; D3/905, 274; 446/75, 76, 93, 94, 476, 469, 444, 454

- 4,349,983 9/1982 Kilroy et al. .... 446/76
- 4,433,504 2/1984 Terui ..... 446/75
- 4,558,867 12/1985 Hippely ..... 446/75
- 4,979,926 12/1990 Bisceglia ..... 446/476

*Primary Examiner*—Raphael Barkai  
*Attorney, Agent, or Firm*—Amster, Rothstein & Ebenstein

## [57] CLAIM

The ornamental design for a toy stunt track, as shown.

## DESCRIPTION

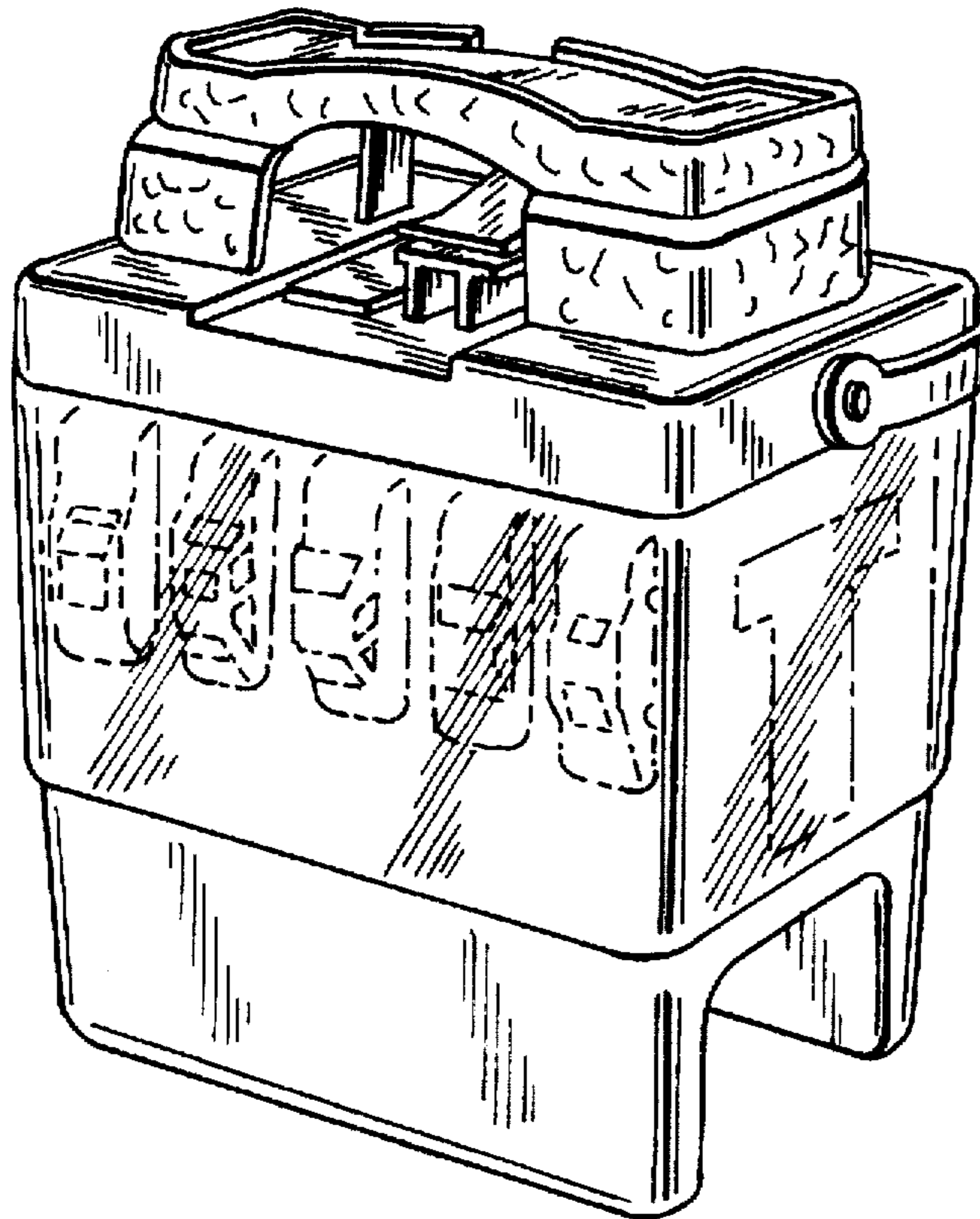
FIG. 1 is a perspective view from the top, front and one side of a toy stunt track showing my new design;  
 FIG. 2 is a front elevational view thereof;  
 FIG. 3 is a rear elevational view thereof;  
 FIG. 4 is a side elevational view thereof from the one side;  
 FIG. 5 is a side elevational view thereof from the other side;  
 FIG. 6 is a top plan view thereof; and,  
 FIG. 7 is a bottom plan view thereof.

### [56] References Cited

#### U.S. PATENT DOCUMENTS

- D. 115,903 8/1939 Berger ..... D21/118
- D. 283,317 4/1986 Stewart ..... D3/274
- D. 338,923 8/1993 Ran ..... D21/121
- 4,285,157 8/1981 Lambert ..... 446/76

**1 Claim, 7 Drawing Sheets**



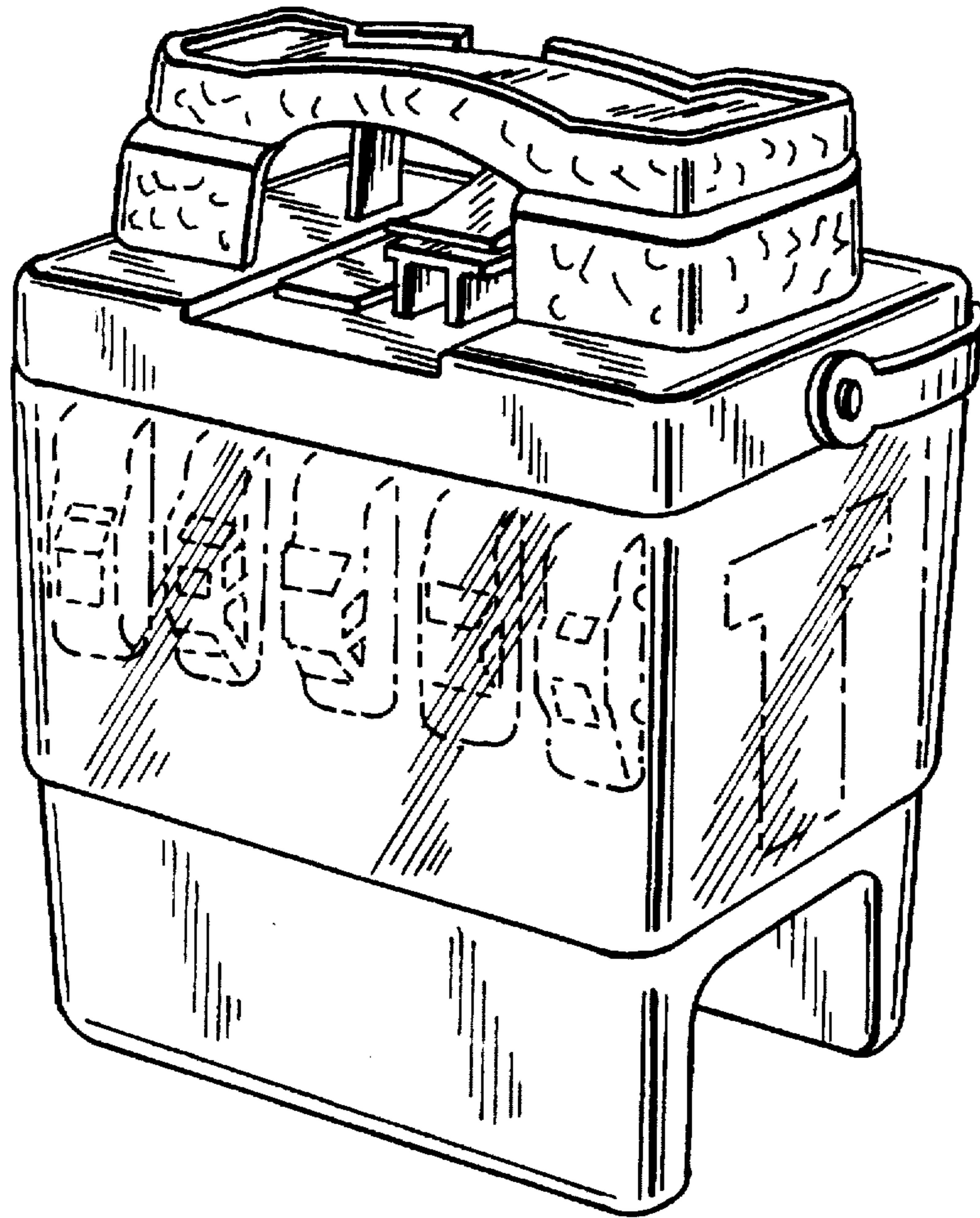


FIG. 1

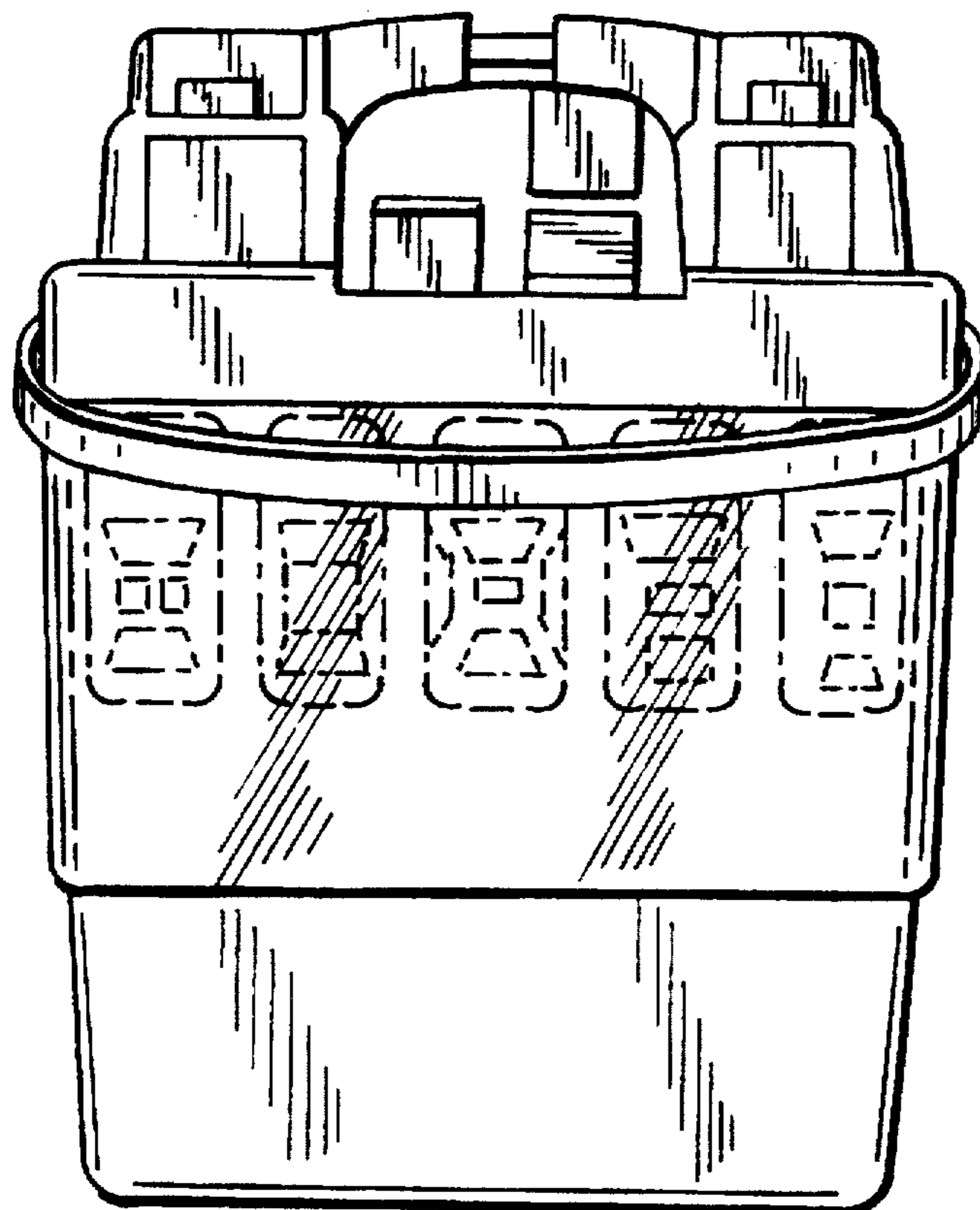


FIG. 2

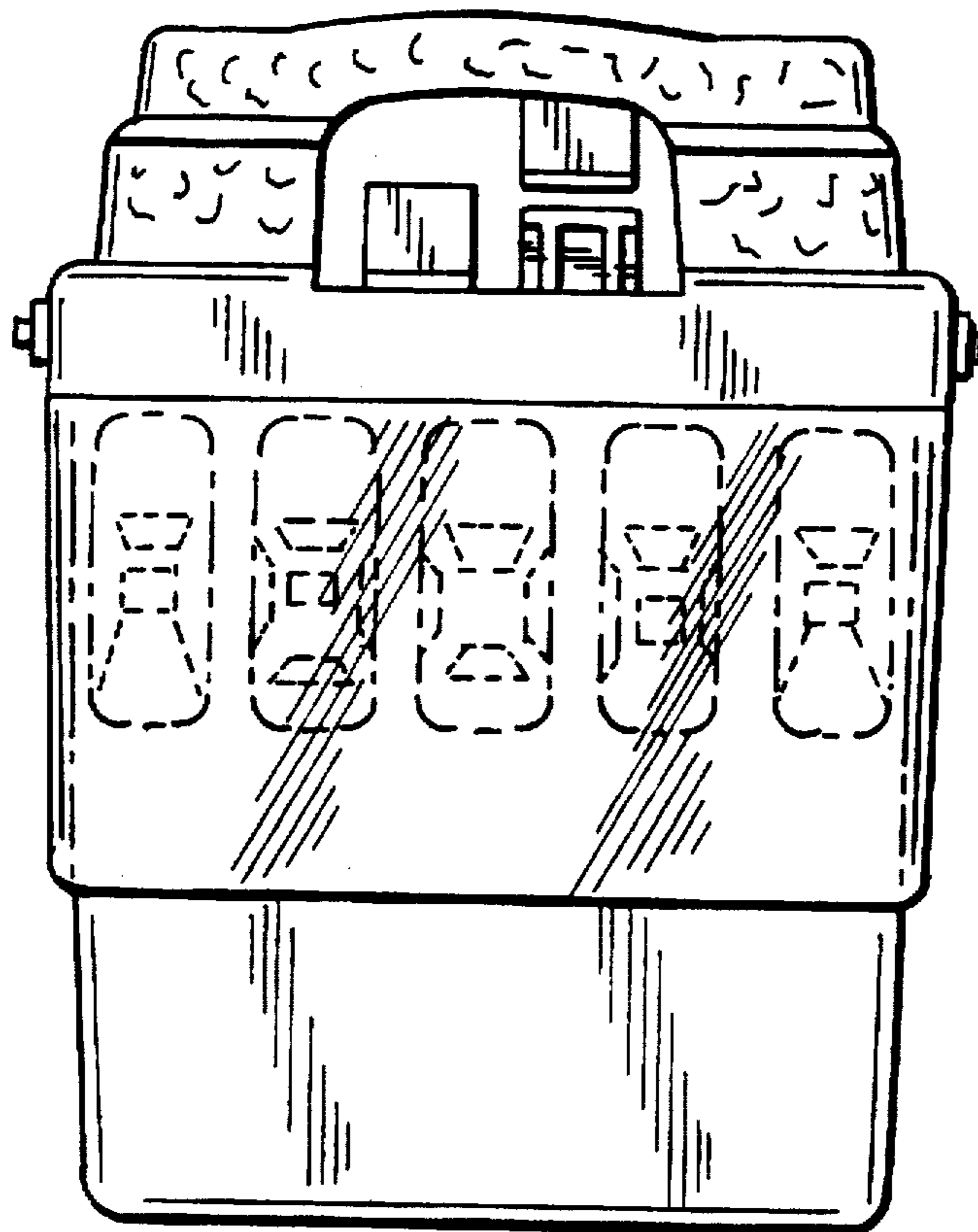


FIG. 3

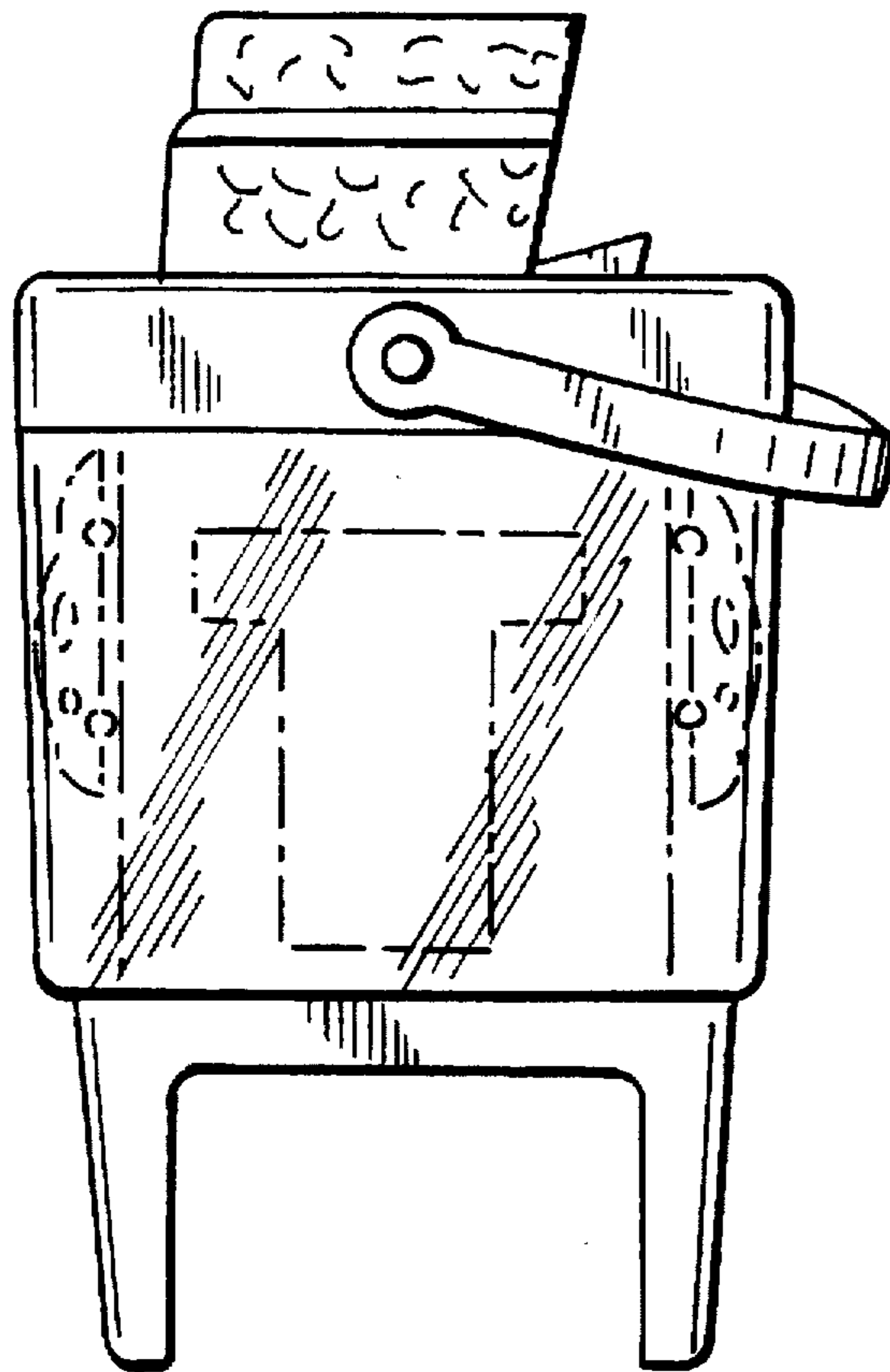


FIG. 4

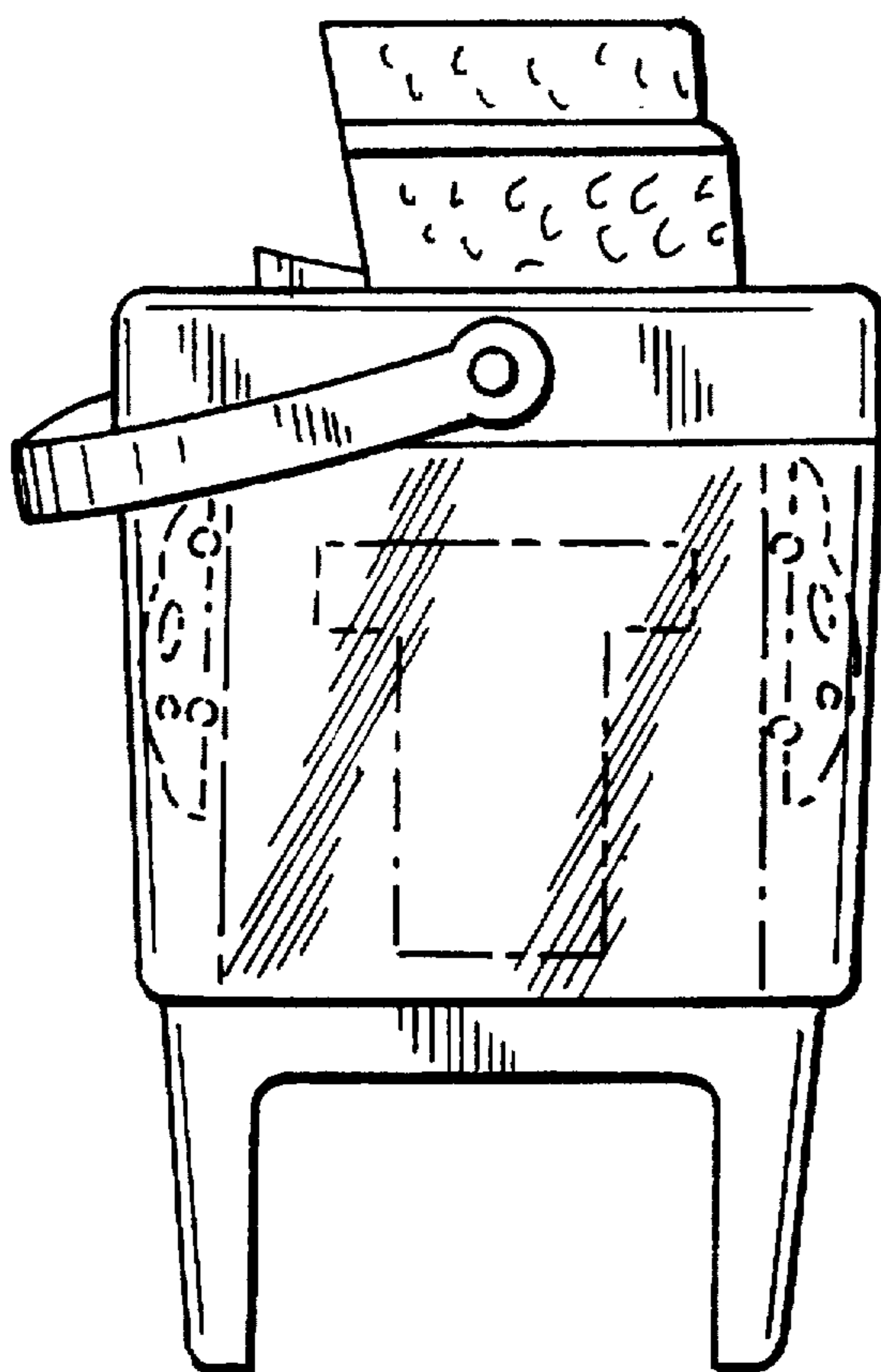


FIG. 5



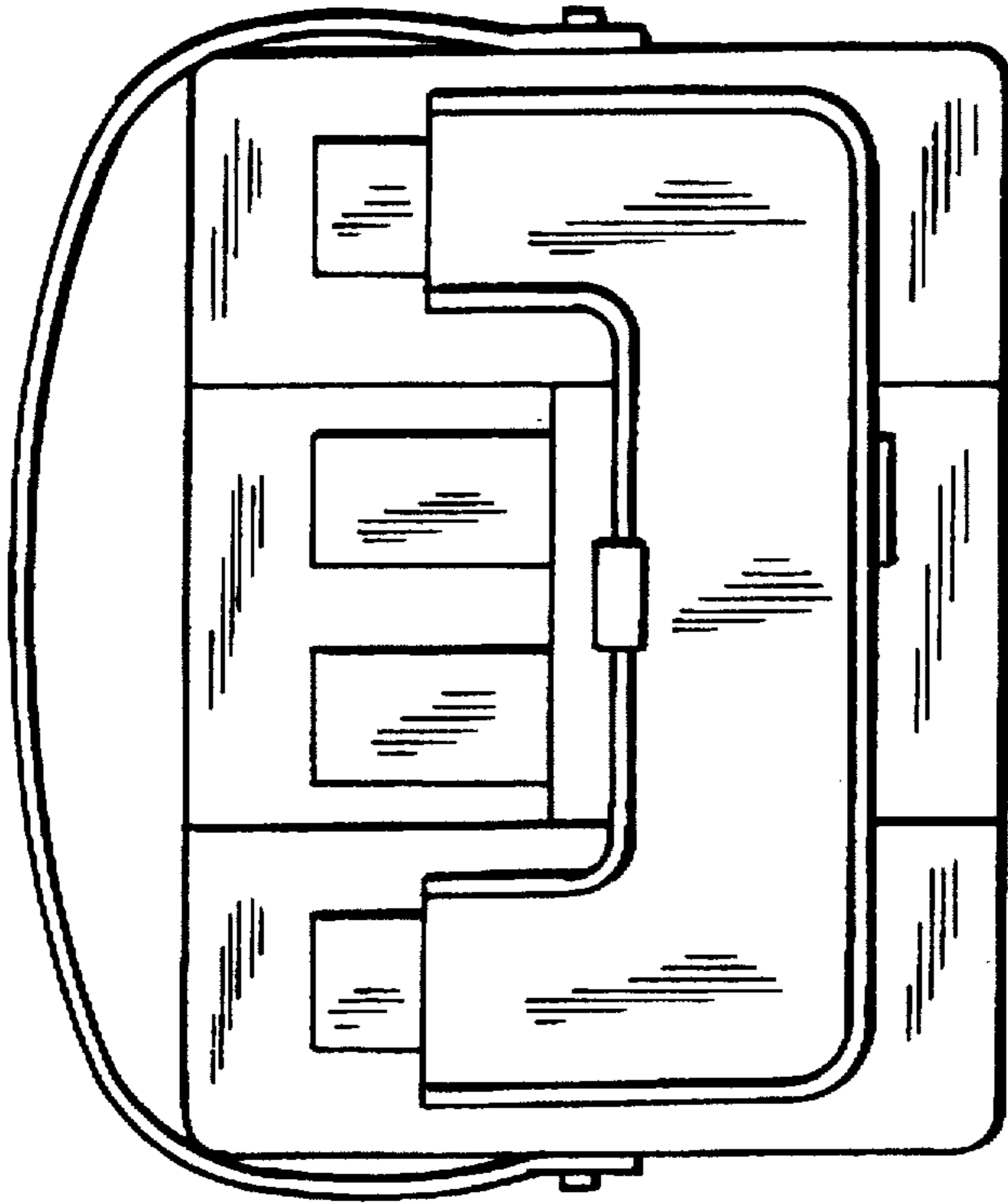


FIG. 6

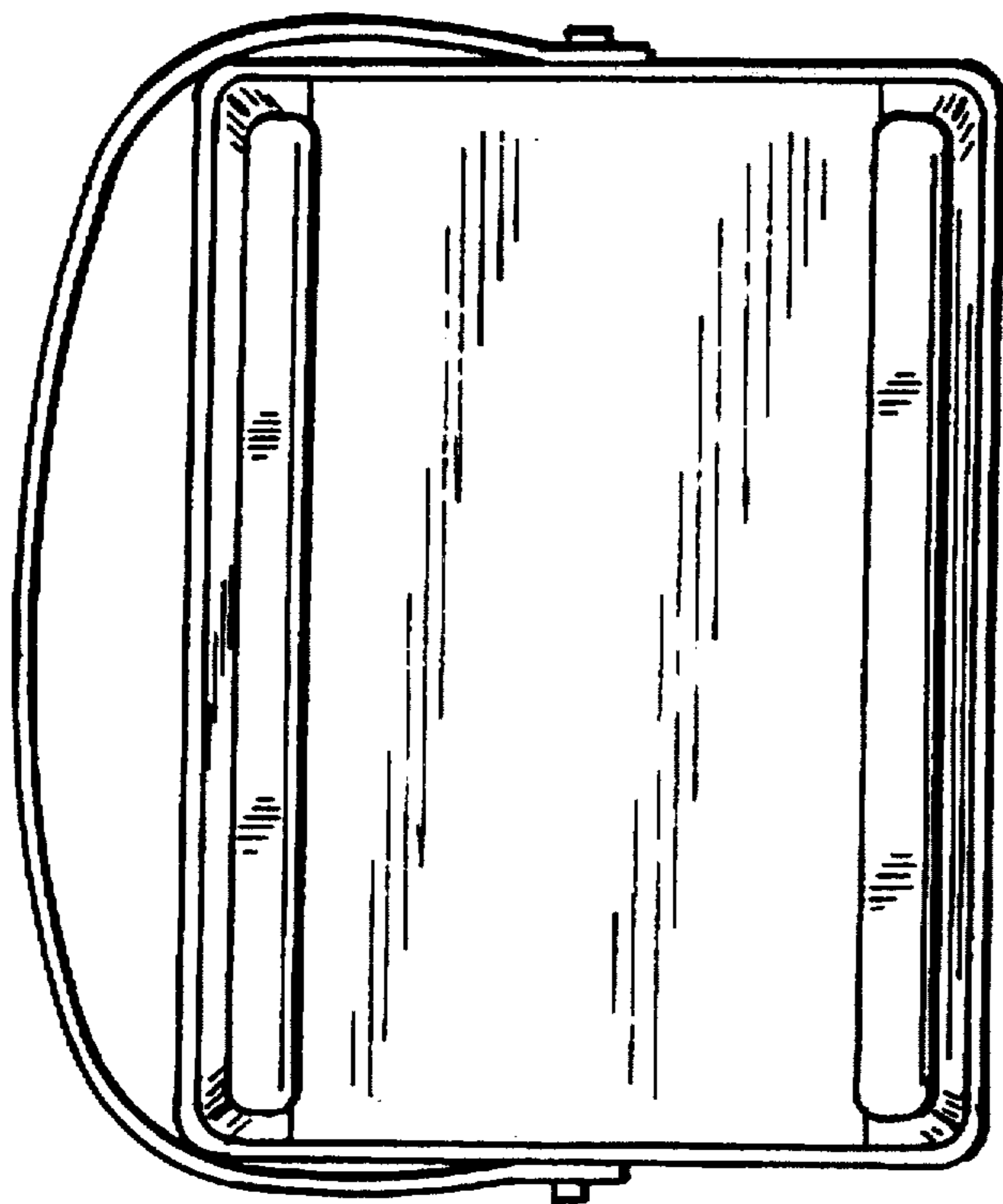


FIG. 7