



US00D393486S

United States Patent [19] Orr

[11] Patent Number: Des. 393,486
[45] Date of Patent: **Apr. 14, 1998

[54] **MAGAZINE BINDER CLIP**
[76] Inventor: **Rod Ernest Orr**, 3908 49th Ave.,
Drayton Valley, Alberta, Canada, T7A
1E4
[**] Term: **14 Years**
[21] Appl. No.: **58,481**
[22] Filed: **Aug. 15, 1996**
[51] LOC (6) Cl. **19-02**
[52] U.S. Cl. **D19/90; D19/32; D19/86;**
D19/91
[58] Field of Search D19/32, 65, 75,
D19/78, 86, 90, 91, 99, 100; 281/43, 45,
51; 402/4, 38; 24/67.1, 67.11, 67 R, 67.2-67.9;
211/45, 46, 48, 113, 128; 40/359; 312/183,
184

4,594,754 6/1986 Spicer 24/67.1 X
4,722,627 2/1988 Salacuse .
4,784,508 11/1988 Shannon .
5,375,936 12/1994 Jennison et al. .

FOREIGN PATENT DOCUMENTS

29759 9/1967 Canada .
16519 4/1980 New Zealand .

Primary Examiner—Martie Thompson
Attorney, Agent, or Firm—Jones, Tullar & Cooper

[57] CLAIM

The ornamental design for a magazine binder clip, as shown and described.

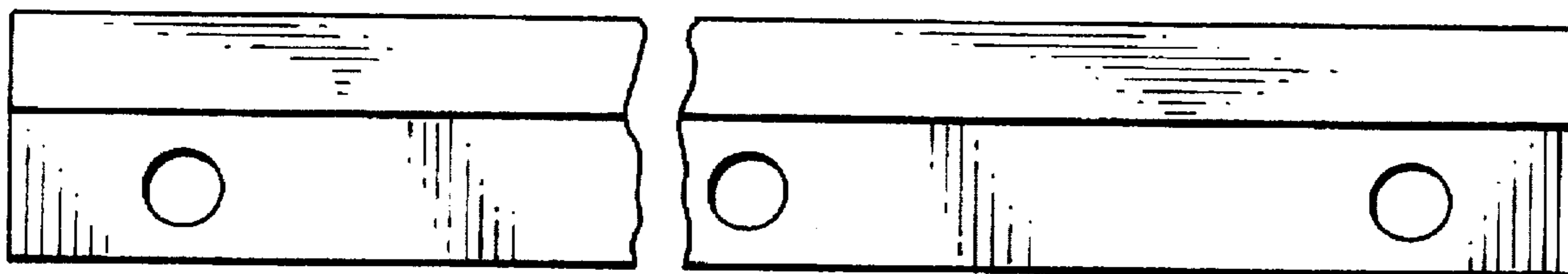
DESCRIPTION

FIG. 1 is a side elevational view of a magazine binder clip showing my new design;
FIG. 2 is a top plan view thereof;
FIG. 3 is a bottom plan view thereof;
FIG. 4 is a perspective view thereof; and
FIG. 5 is a cross-sectional view thereof.
The magazine binder clip has been shown broken away for the purpose of indicating indeterminate length in FIGS. 1 through 4.

1 Claim, 1 Drawing Sheet

[56] References Cited U.S. PATENT DOCUMENTS

D. 268,348 3/1983 Beleakis D19/91
D. 288,573 3/1987 Kane et al. D19/91
2,337,393 12/1943 Kern 211/46
3,850,488 11/1974 Elias et al. 312/184
4,009,784 3/1977 Elias et al. 211/46



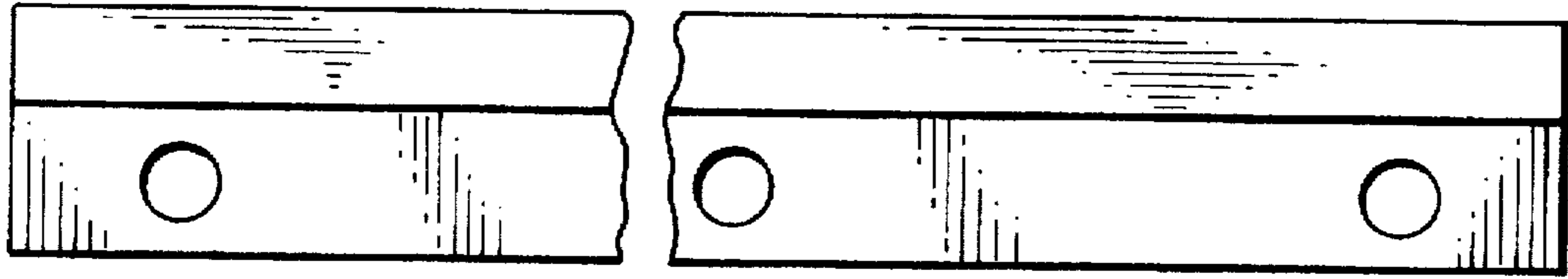


FIG. 1

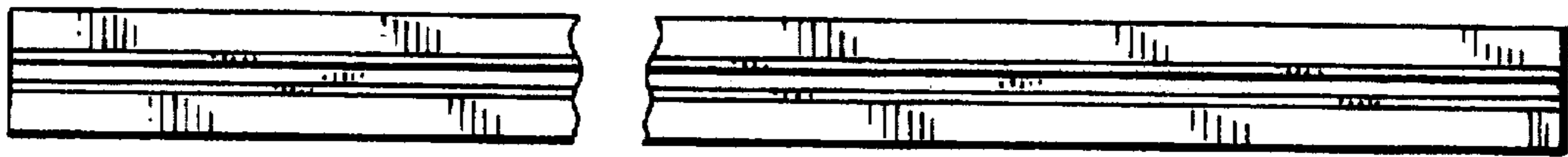


FIG. 2

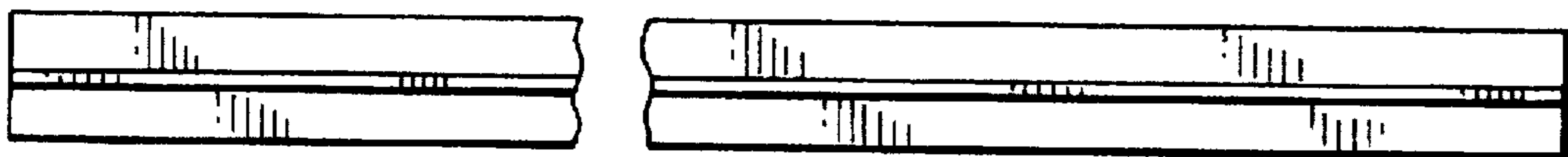


FIG. 3

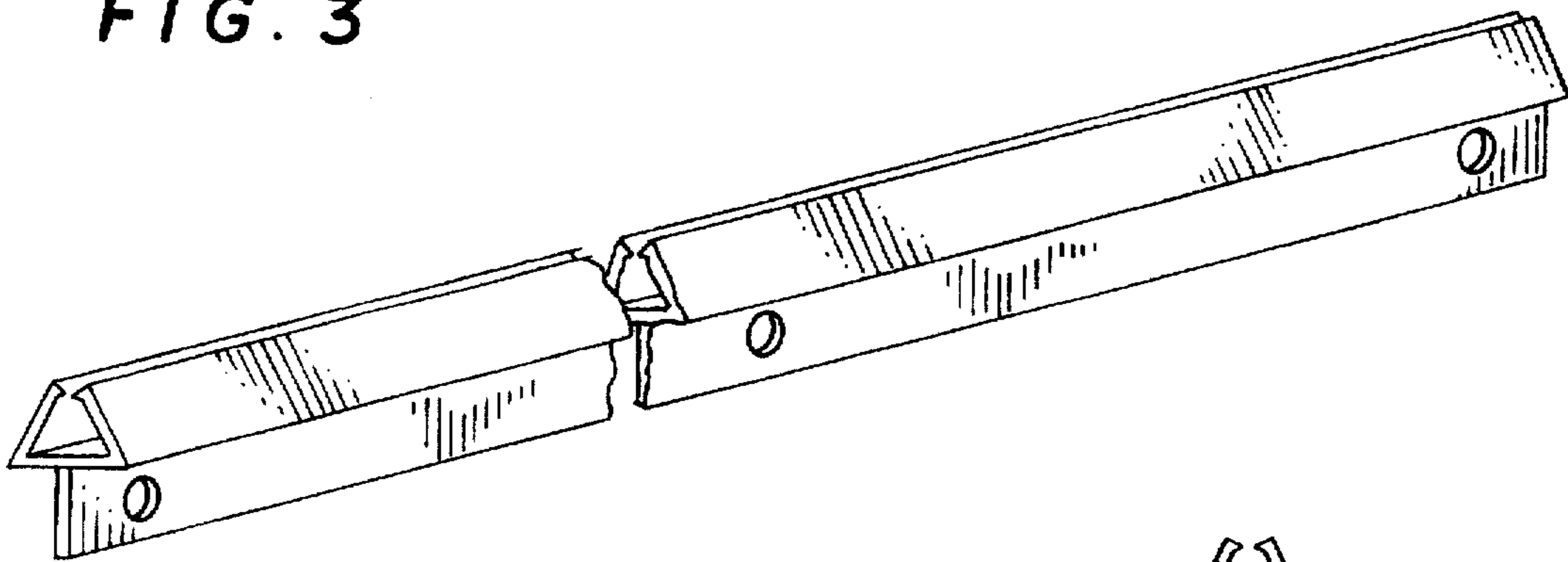


FIG. 4

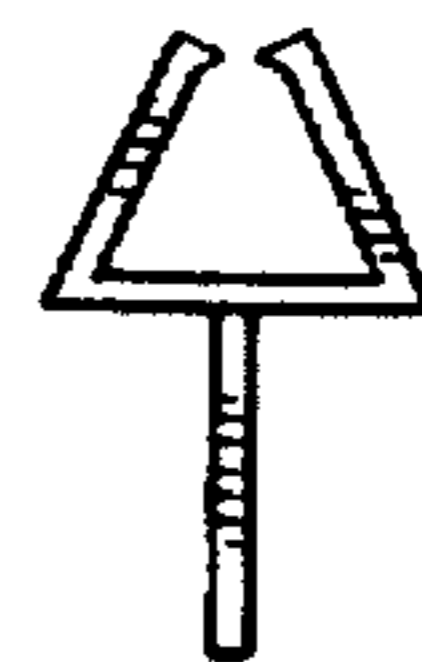


FIG. 5