

US00D393476S

United States Patent [19]
Lödige

[11] **Patent Number: Des. 393,476**
[45] **Date of Patent: **Apr. 14, 1998**

[54] **INDUSTRIAL MIXING MACHINE**
[75] **Inventor: Gebrüder Lödige, Steinhagen, Germany**
[73] **Assignee: Gebruder Lodige Maschinenbau-Gesellschaft mit beschränkter Haftung, Paderborn, Germany**
[**] **Term: 14 Years**

[21] **Appl. No.: 63,674**
[22] **Filed: Dec. 12, 1996**
[30] **Foreign Application Priority Data**

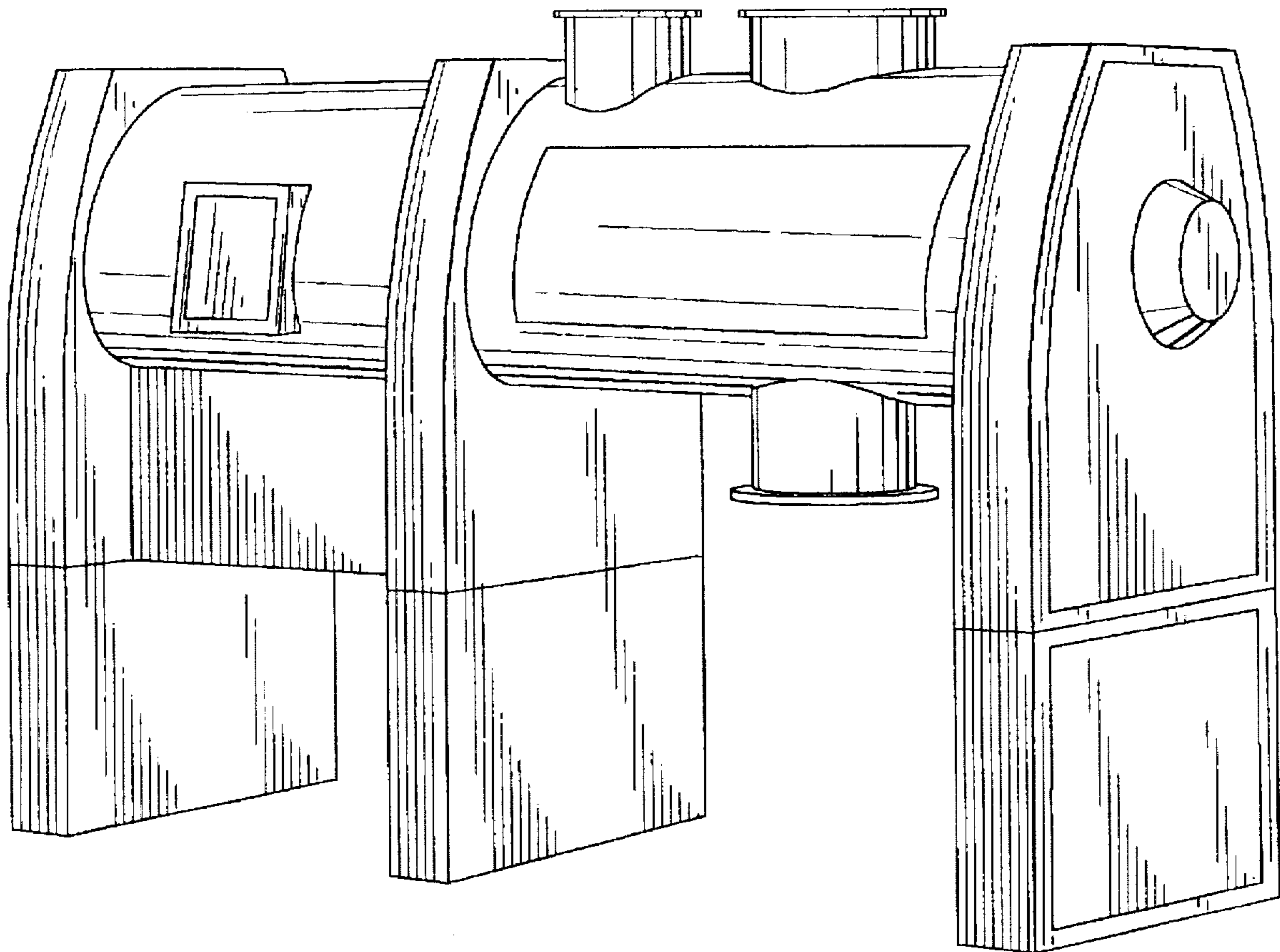
Jun. 24, 1996 [XH] Hague Agreement DM036755
[51] **LOC (6) Cl. 15-08**
[52] **U.S. Cl. D15/147**
[58] **Field of Search D15/147; 366/241-260, 366/604, 605, 603**

[56] **References Cited**
U.S. PATENT DOCUMENTS
D. 347,645 6/1994 Miller D15/147
5,240,326 8/1993 Evanson 366/139
Primary Examiner—Antoine Duval Davis
Attorney, Agent, or Firm—Paul J. Vincent

[57] **CLAIM**
The ornamental design for an industrial mixing machine, as shown and described.

DESCRIPTION
FIG. 1 is a perspective view of one embodiment of my new design;
FIG. 2 is a front view of the new design;
FIG. 3 is a back view of the new design;
FIG. 4 is a first end view of the new design;
FIG. 5 is a second end view of the new design;
FIG. 6 is a top view of the new design; and,
FIG. 7 is a bottom view of the new design.

1 Claim, 4 Drawing Sheets



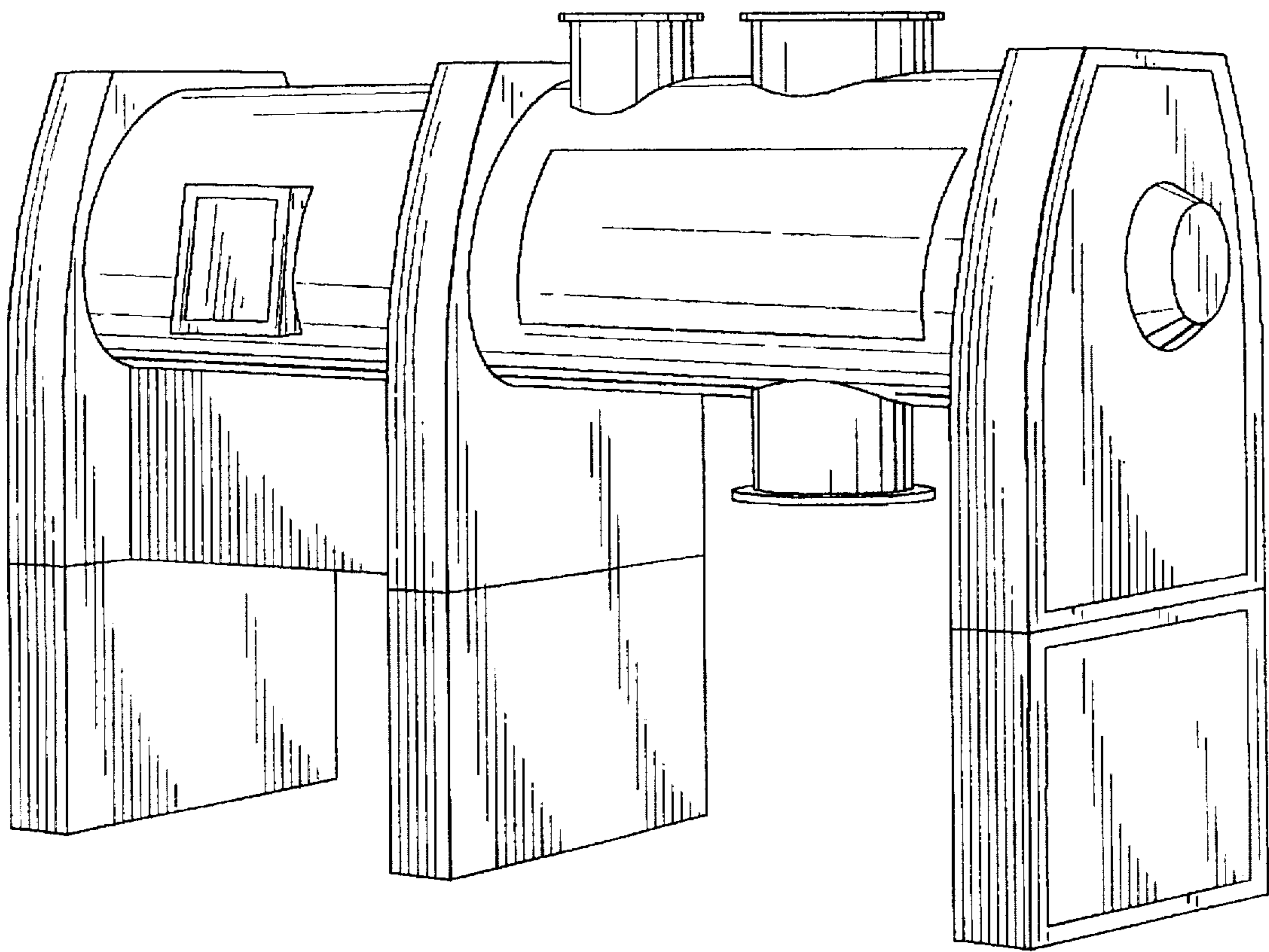


FIG. 1

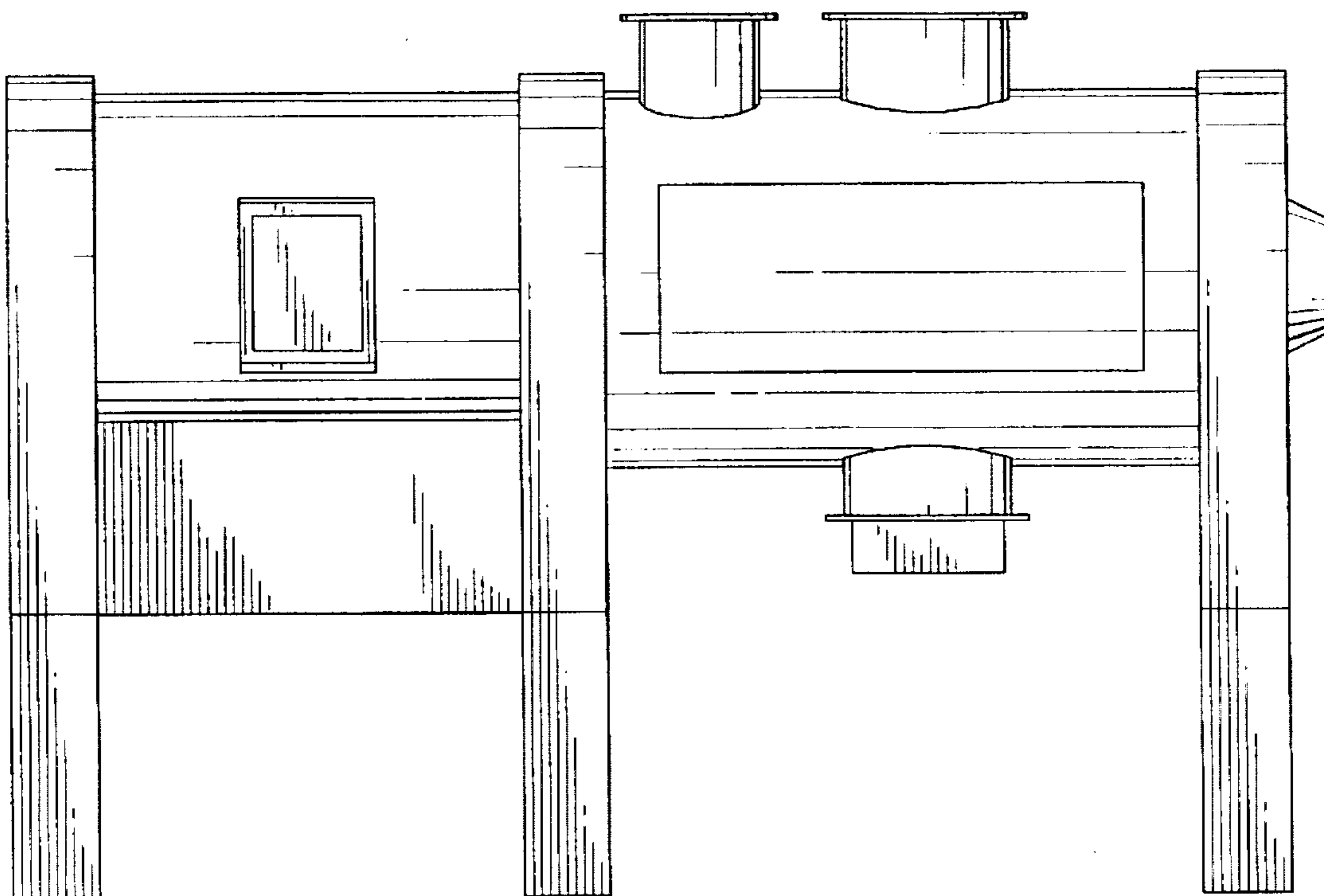


FIG. 2

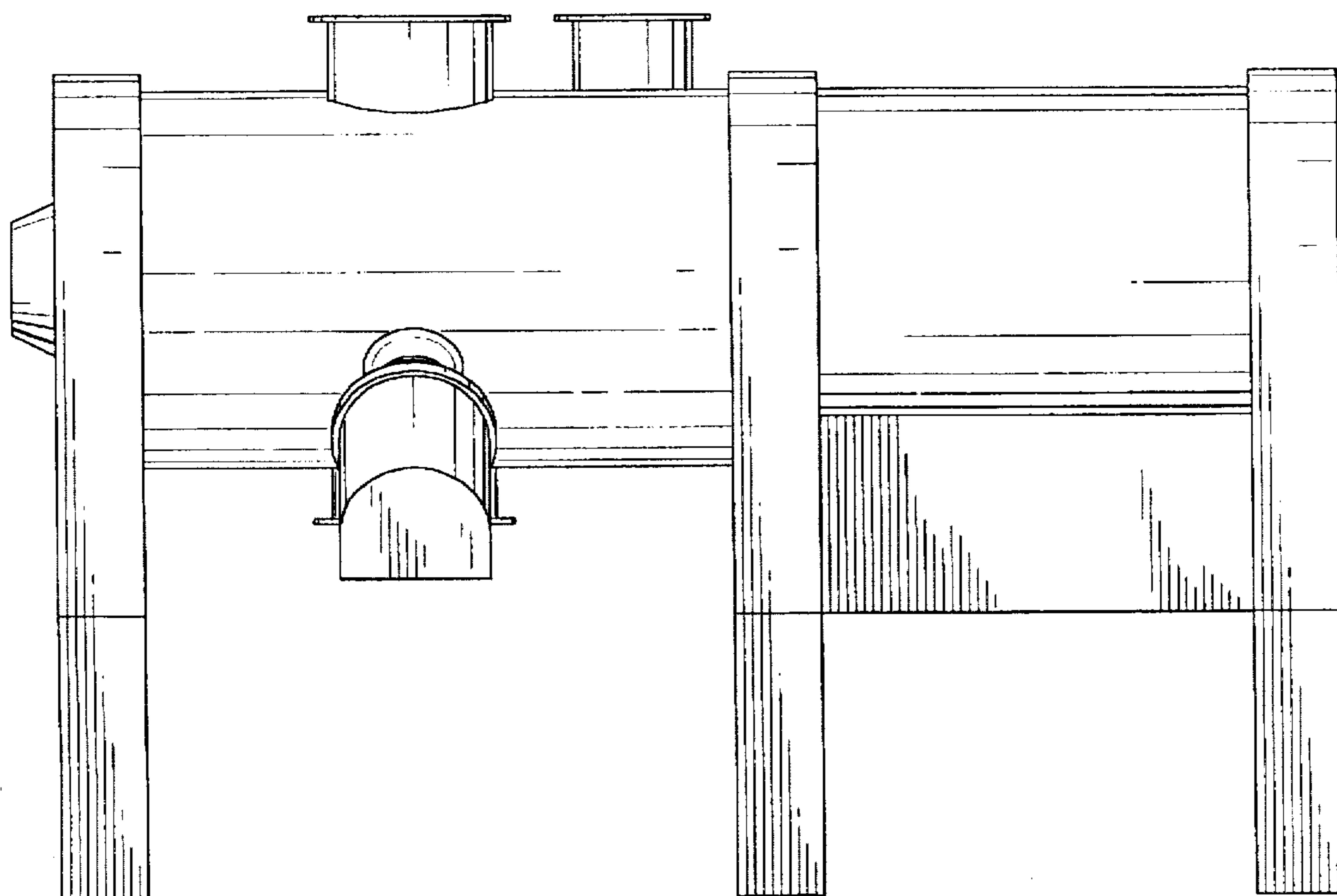


FIG. 3

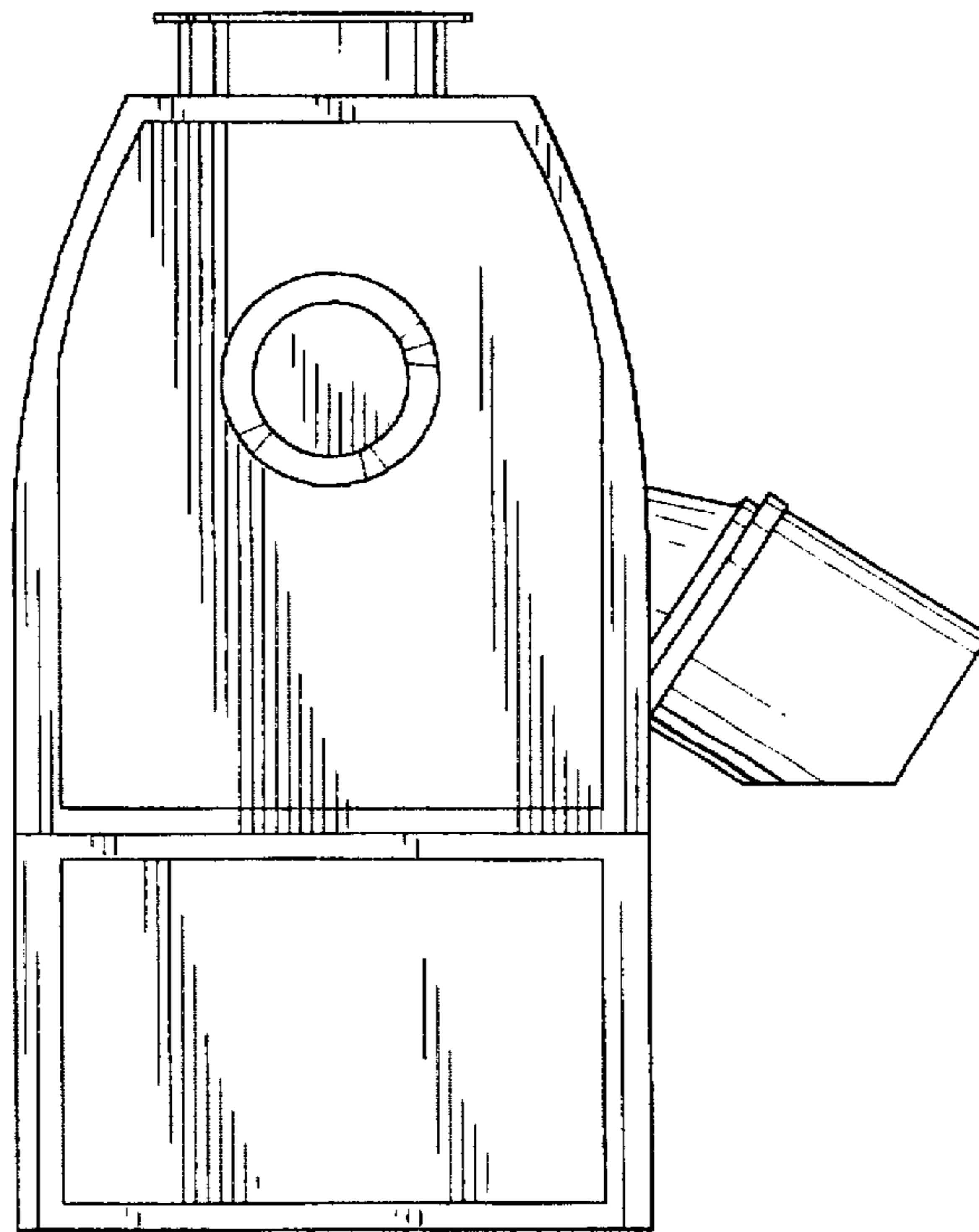


FIG. 4

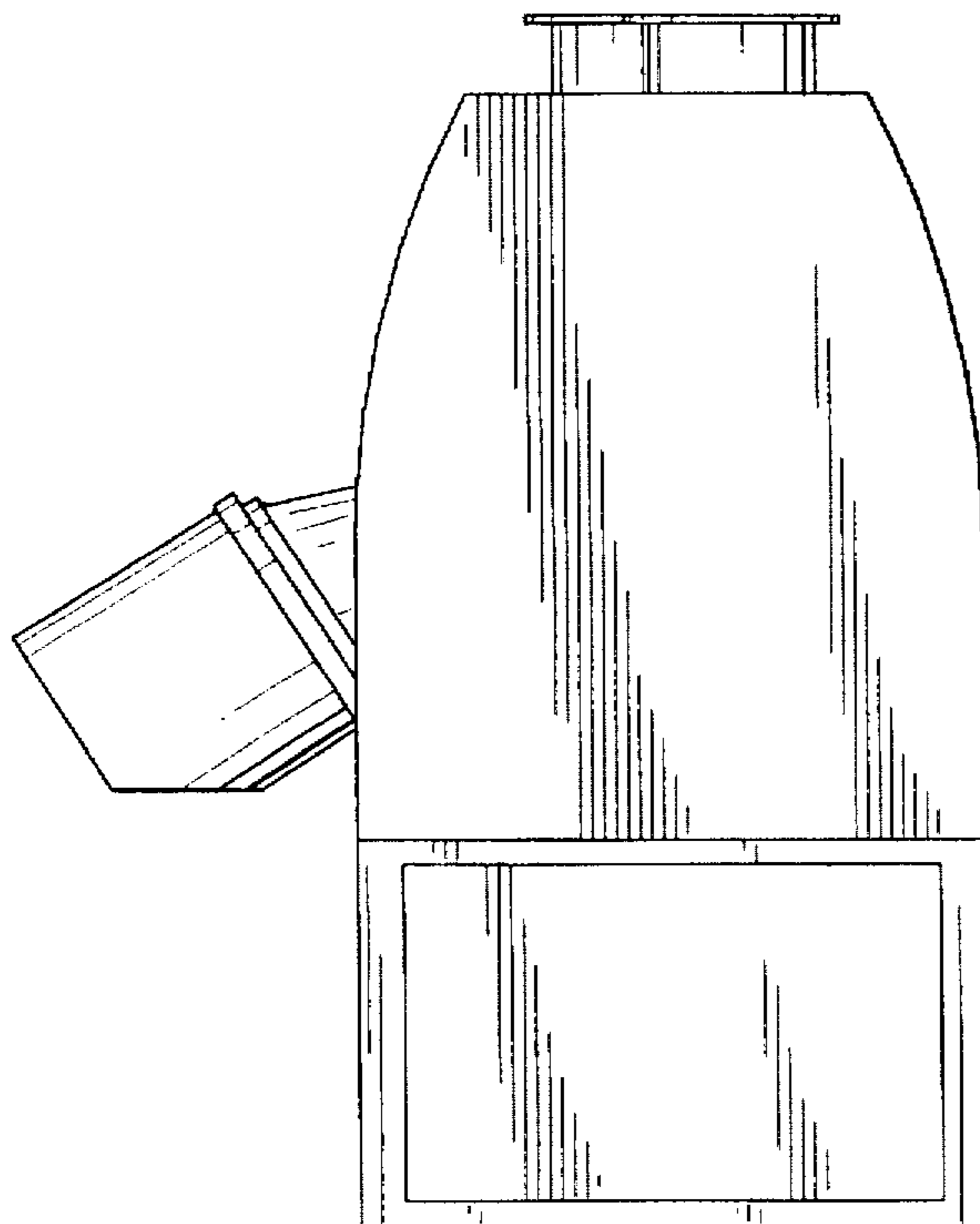


FIG. 5

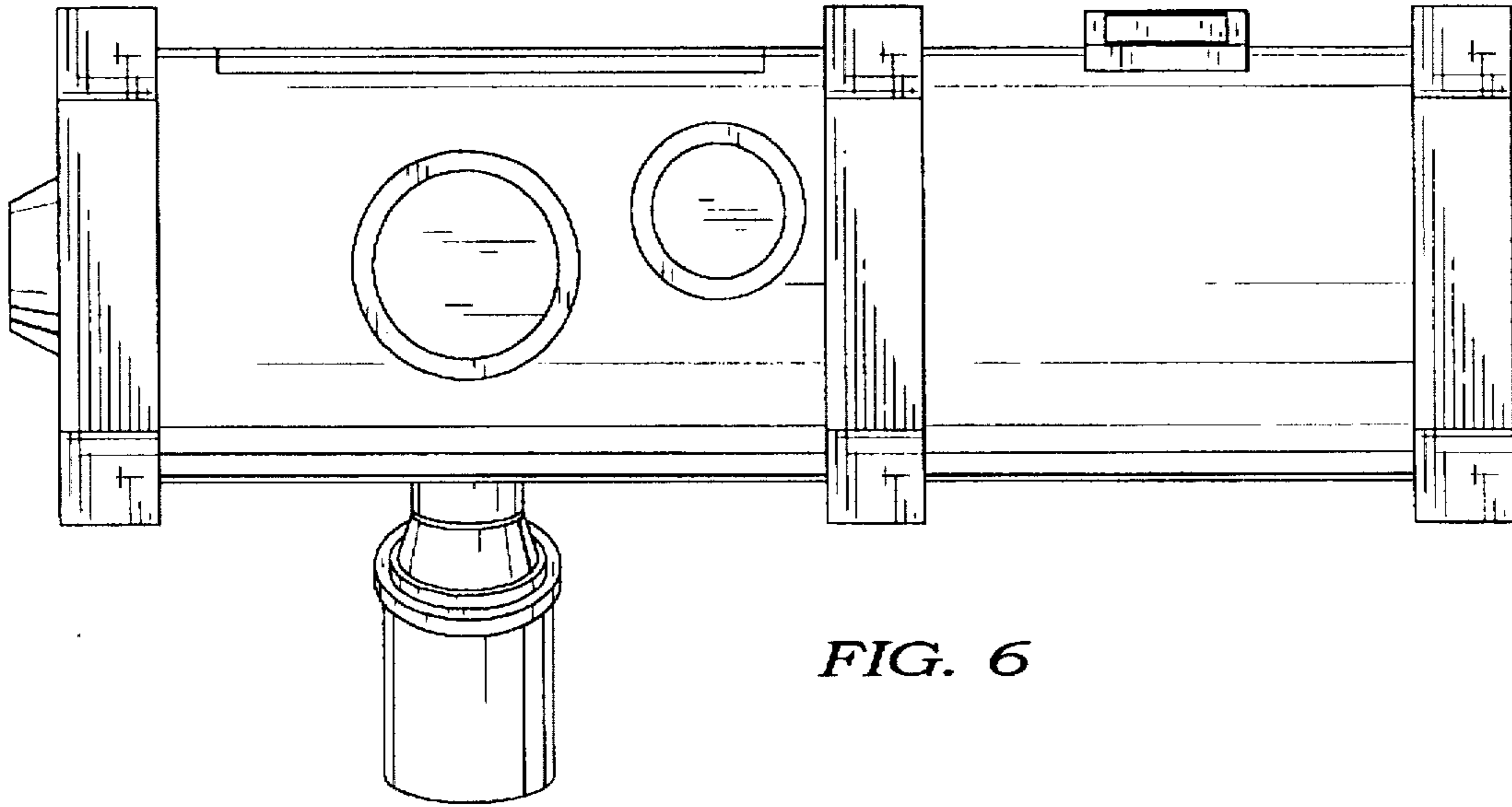


FIG. 6

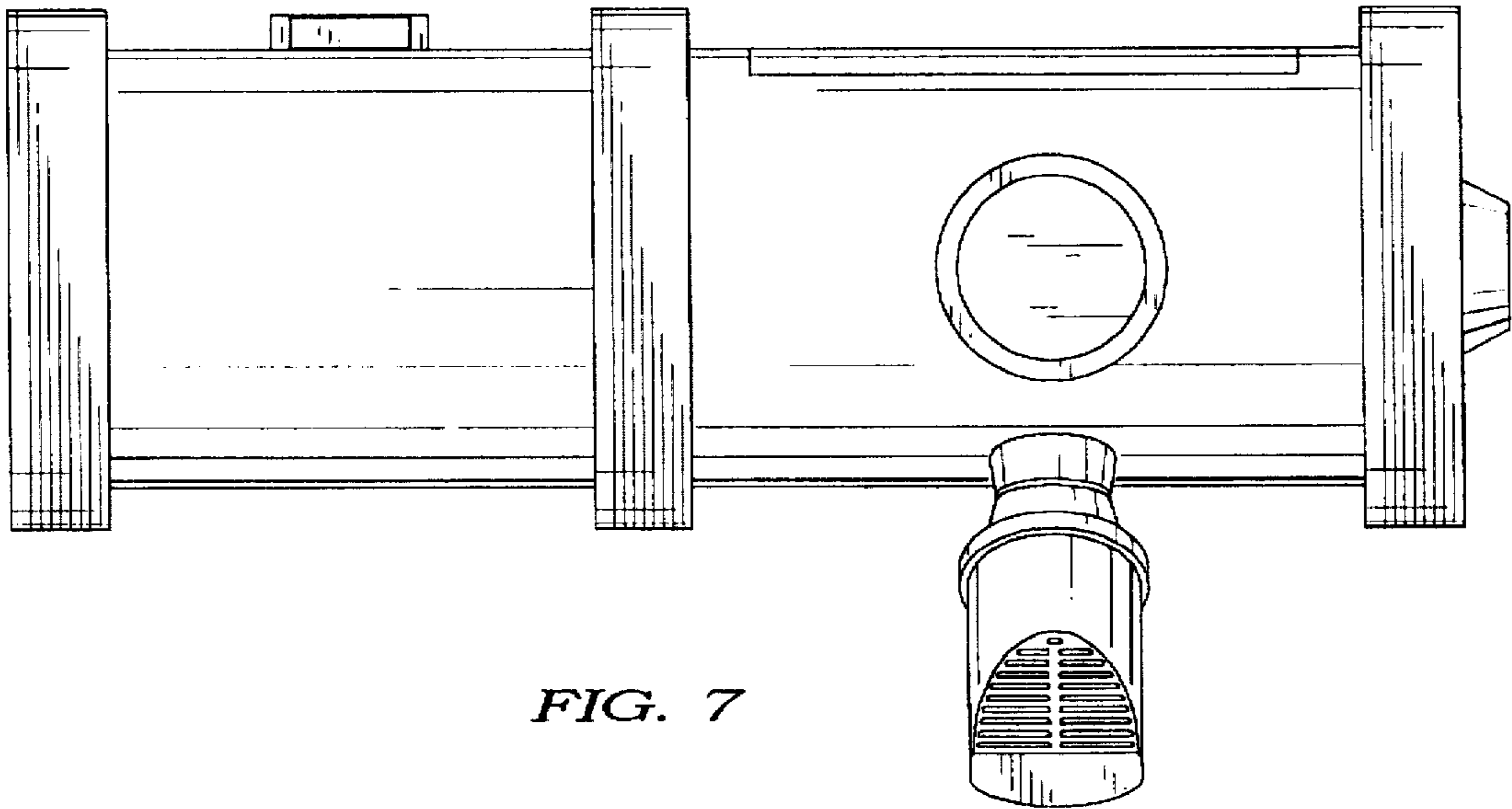


FIG. 7