



US00D393474S

United States Patent [19]
Swinimer

[11] **Patent Number:** **Des. 393,474**
[45] **Date of Patent:** ****Apr. 14, 1998**

[54] **FORMING FOR COLUMN FOUNDATION**

[76] **Inventor:** **Kirk Swinimer**, R.R. #1, Marriotts Cove, Chester Basin, Nova Scotia, Canada, B0J 1K0

[**] **Term:** **14 Years**

[21] **Appl. No.:** **63,625**

[22] **Filed:** **Dec. 11, 1996**

[51] **LOC (6) Cl.** **15-09**

[52] **U.S. Cl.** **D15/136**

[58] **Field of Search** **D15/136, 135;**
405/237, 238; 52/155, 238, 292

[56] **References Cited**

U.S. PATENT DOCUMENTS

D. 370,921 6/1996 Hendrickson D15/136
4,648,220 3/1987 Gebelius 52/155

Primary Examiner—Antoine Duval Davis
Attorney, Agent, or Firm—Stein, Pendorf & Van Der Wall

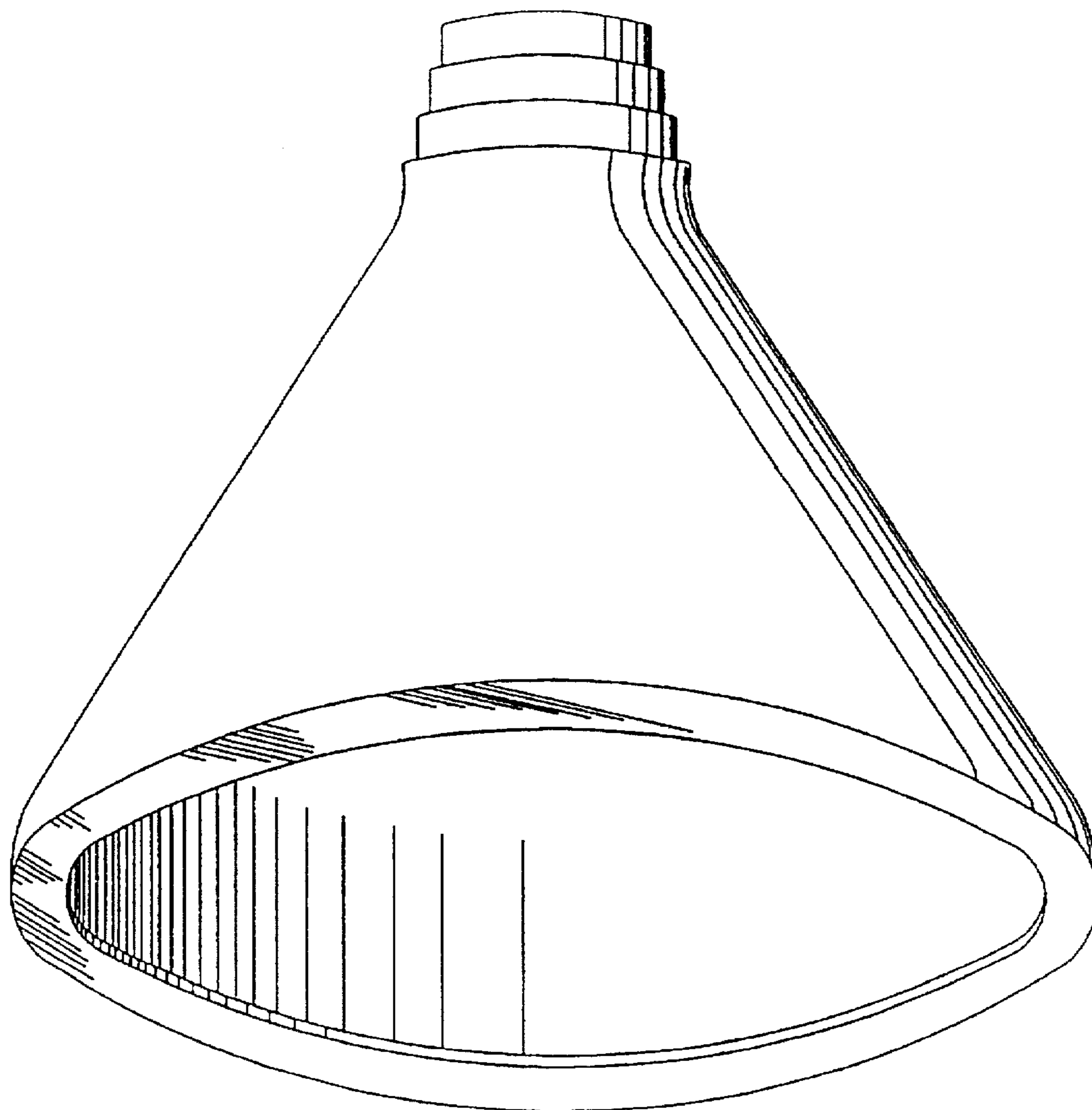
[57] **CLAIM**

The ornamental design for a forming for column foundation, as shown and described.

DESCRIPTION

FIG. 1 is a perspective view of a forming for column foundation in accordance with the design;
FIG. 2 is a side elevational view of the design shown in FIG. 1;
FIG. 3 is a perspective view of a first variant of the design shown in FIG. 1;
FIG. 4 is a side elevational view of the design shown in FIG. 3;
FIG. 5 is a perspective view of a second variant of the design shown in FIG. 1; and,
FIG. 6 is a side elevational view of the design shown in FIG. 5.

1 Claim, 6 Drawing Sheets



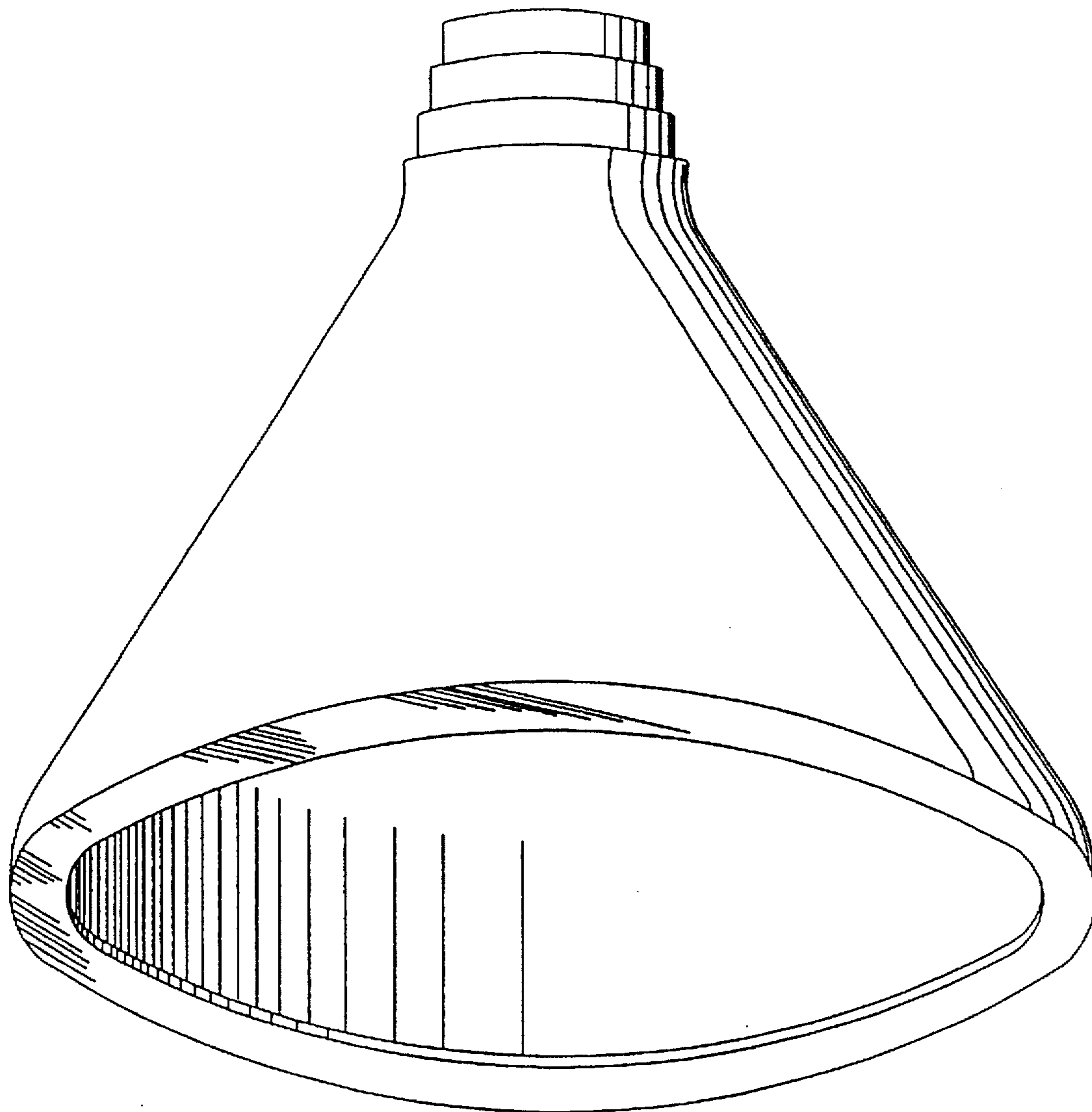


FIG 1

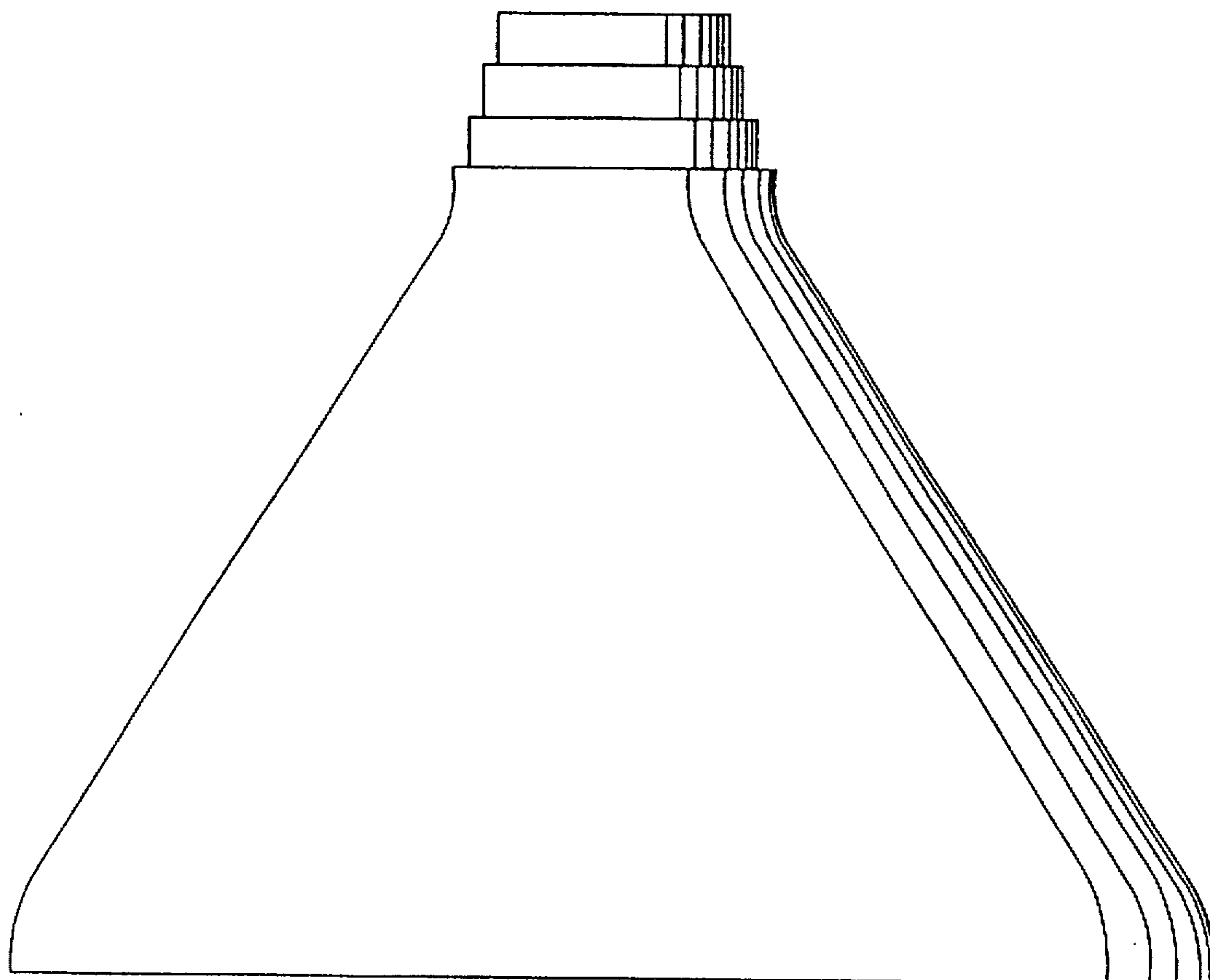


FIG 2

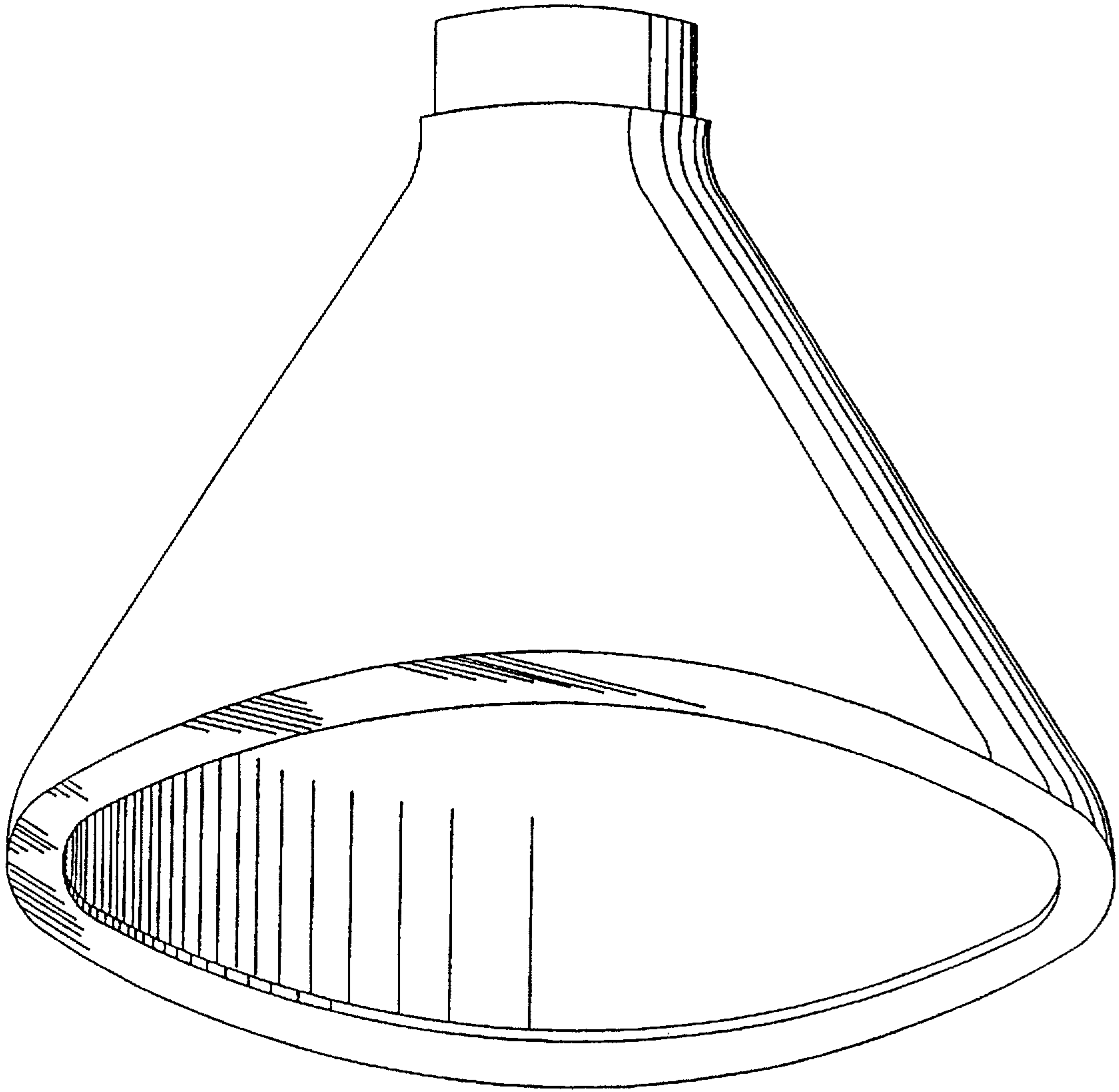


FIG 3

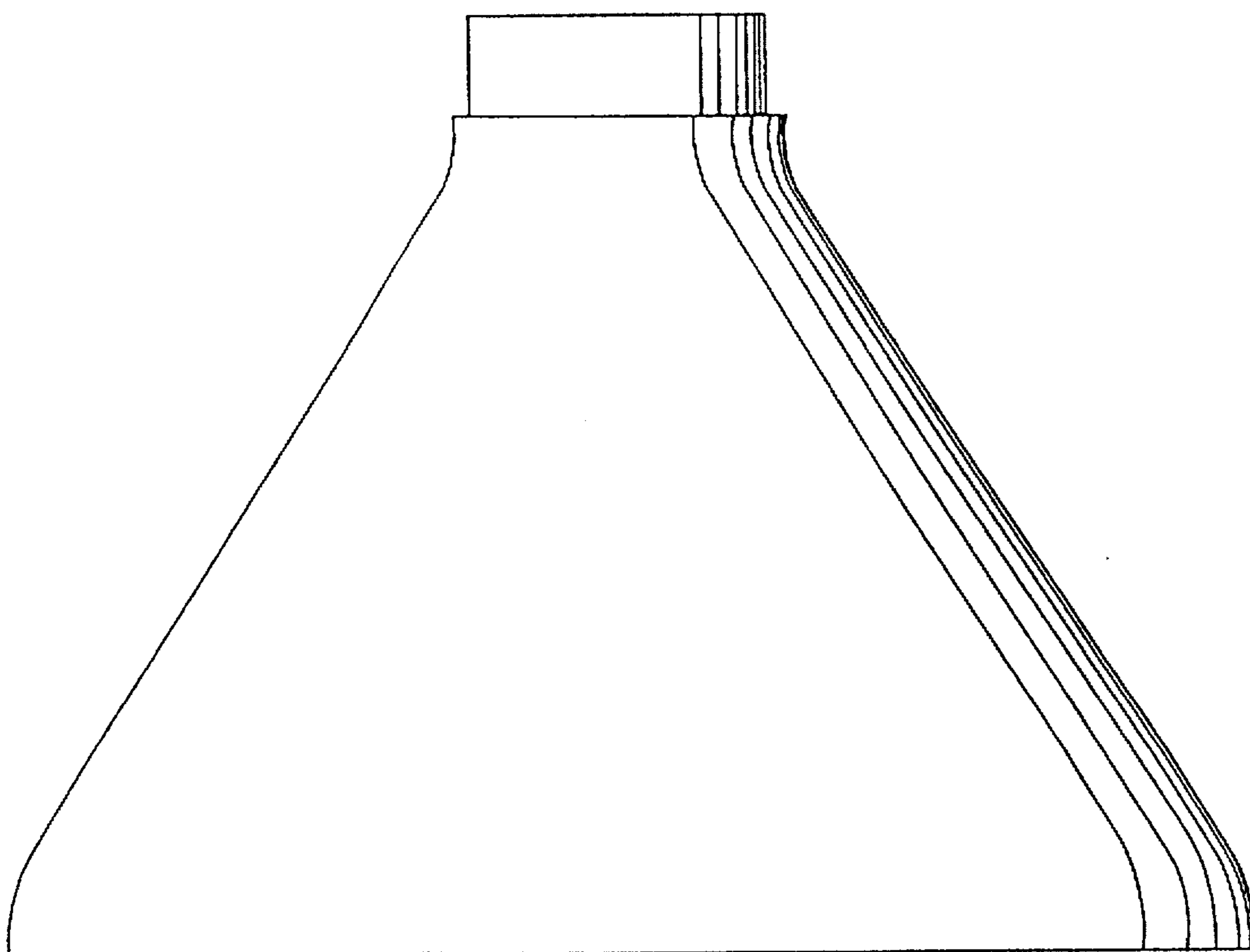


FIG 4



FIG 5

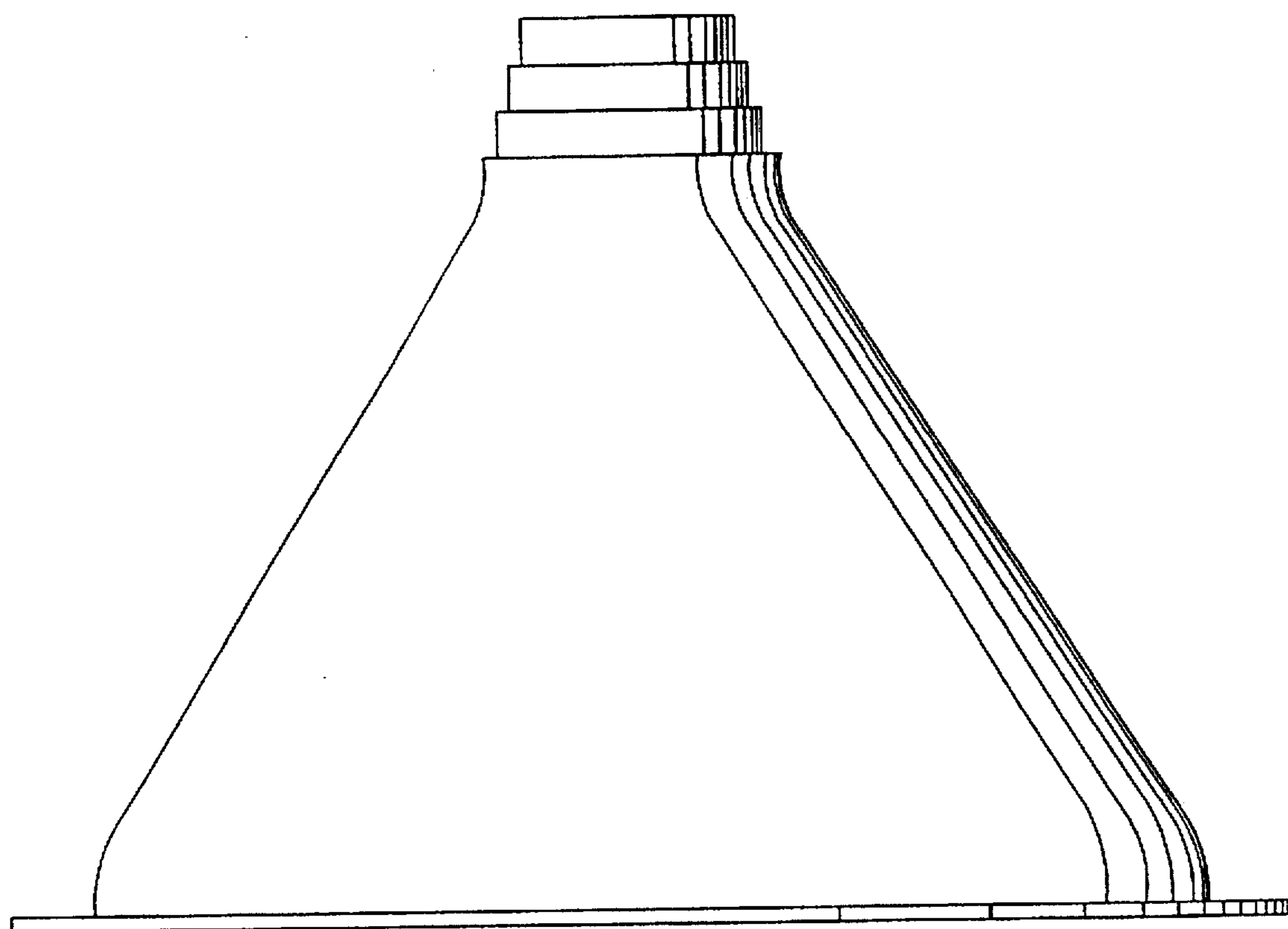


FIG 6