



US00D393473S

United States Patent [19]
Ramirez

[11] **Patent Number:** **Des. 393,473**
[45] **Date of Patent:** ****Apr. 14, 1998**

[54] **GUIDING FENCE FOR A TABLE SAW**

[75] **Inventor:** **Rudy R. Ramirez**, 3756 E. 22nd St., Tucson, Ariz. 85713

[73] **Assignee:** **Rudy R. Ramirez**, Tucson, Ariz.

[**] **Term:** **14 Years**

[21] **Appl. No.:** **33,857**

[22] **Filed:** **Jan. 23, 1995**

[51] **LOC (6) Cl.** **15-09**

[52] **U.S. Cl.** **D15/133**

[58] **Field of Search** D25/199, 67; 269/305, 269/303; 83/522.25, 522.16, 523, 468, 438, 821; D15/133

[56] **References Cited**

U.S. PATENT DOCUMENTS

D. 301,889	6/1989	Price	D15/133
4,972,749	11/1990	Grove	83/468.2
5,078,373	1/1992	Miller	269/303
5,228,374	7/1993	Santerano, Sr.	83/438

Primary Examiner—Doris Clark
Attorney, Agent, or Firm—Gregory J. Nelson

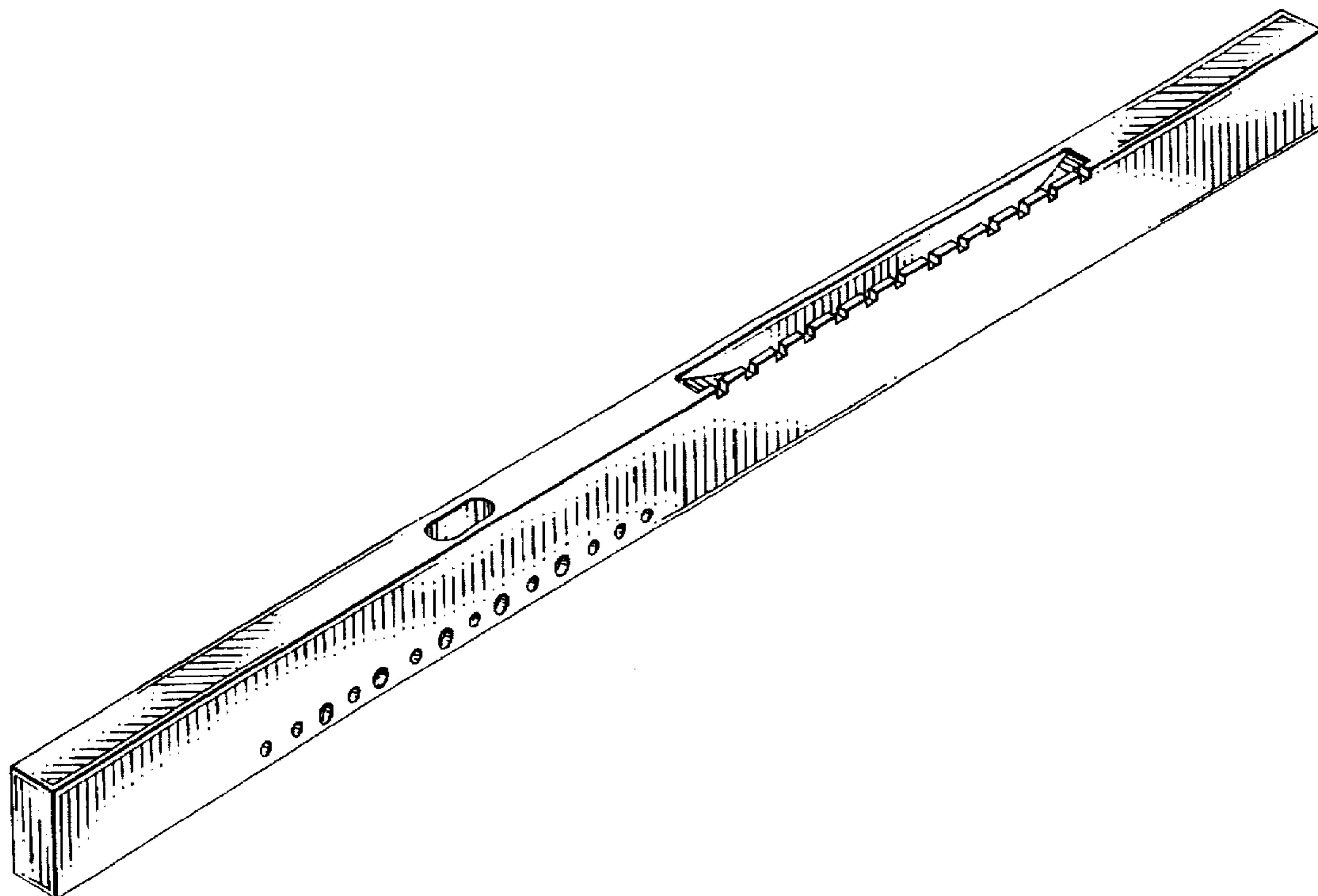
[57] **CLAIM**

The ornamental design for a guiding fence for a table saw, as shown and described.

DESCRIPTION

FIG. 1 is a front view; and
FIG. 2 is a bottom view; and
FIG. 3 is a top view; and
FIG. 4 is a rear view; and
FIG. 5 is an end view; and
FIG. 6 is a front view referencing a sectional line; and
FIG. 7 is a cross sectional view taken along line 7—7 of FIG. 6; and
FIG. 8 is an isometric view; and
FIG. 9 is a partial enlarged view of the left end of the design shown in FIG. 8; and
FIG. 10 is a partial enlarged view of the right end of the design shown in FIG. 8.

1 Claim, 2 Drawing Sheets



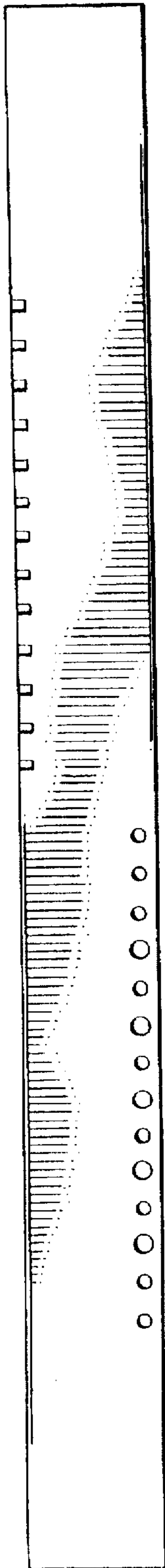


FIG 1

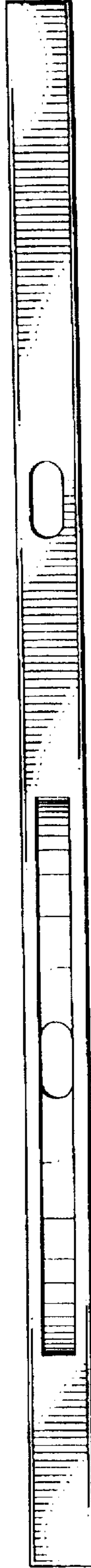


FIG 2

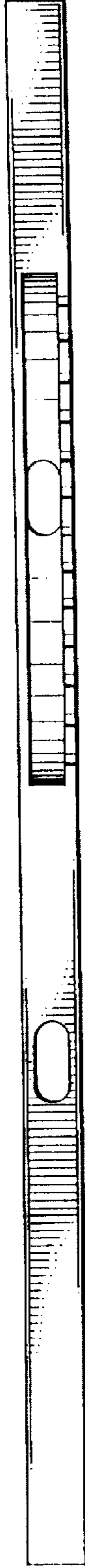


FIG 3

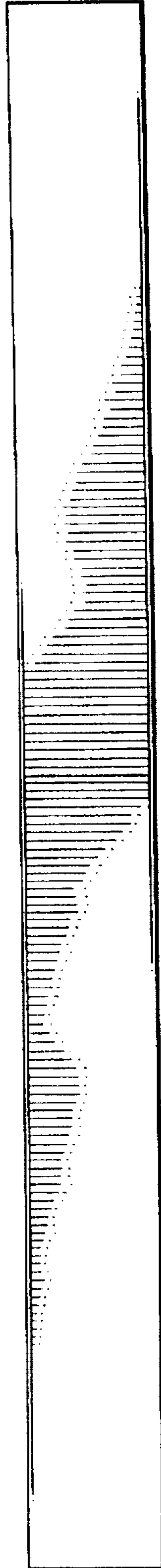


FIG 4



FIG 5



FIG 7

