



US00D393471S

United States Patent [19]

[11] Patent Number: **Des. 393,471**

Bush

[45] Date of Patent: ****Apr. 14, 1998**

[54] VAPOR SEPARATOR

OTHER PUBLICATIONS

[76] Inventor: **Elmer W. Bush**, 433 Bull River Rd.,
Noxon, Mont. 59853

Condensator© *Supplemental Carburetor*© *Pamphlet*,
Noxon, Montana, Jan., 1992.

[**] Term: **14 Years**

Primary Examiner—Ted Shooman
Assistant Examiner—Nanda Bondade
Attorney, Agent, or Firm—Townsend and Townsend and
Crew LLP

[21] Appl. No.: **56,555**

[22] Filed: **Jul. 2, 1996**

[51] LOC (6) Cl. **15-01**

[52] U.S. Cl. **D15/5**

[58] Field of Search D15/1, 3-5; 55/324,
55/325, 330, 385.3, DIG. 19; 96/190, 206;
123/516, 518, 519, 573

[57] CLAIM

The ornamental design for a vapor separator, as shown and described.

DESCRIPTION

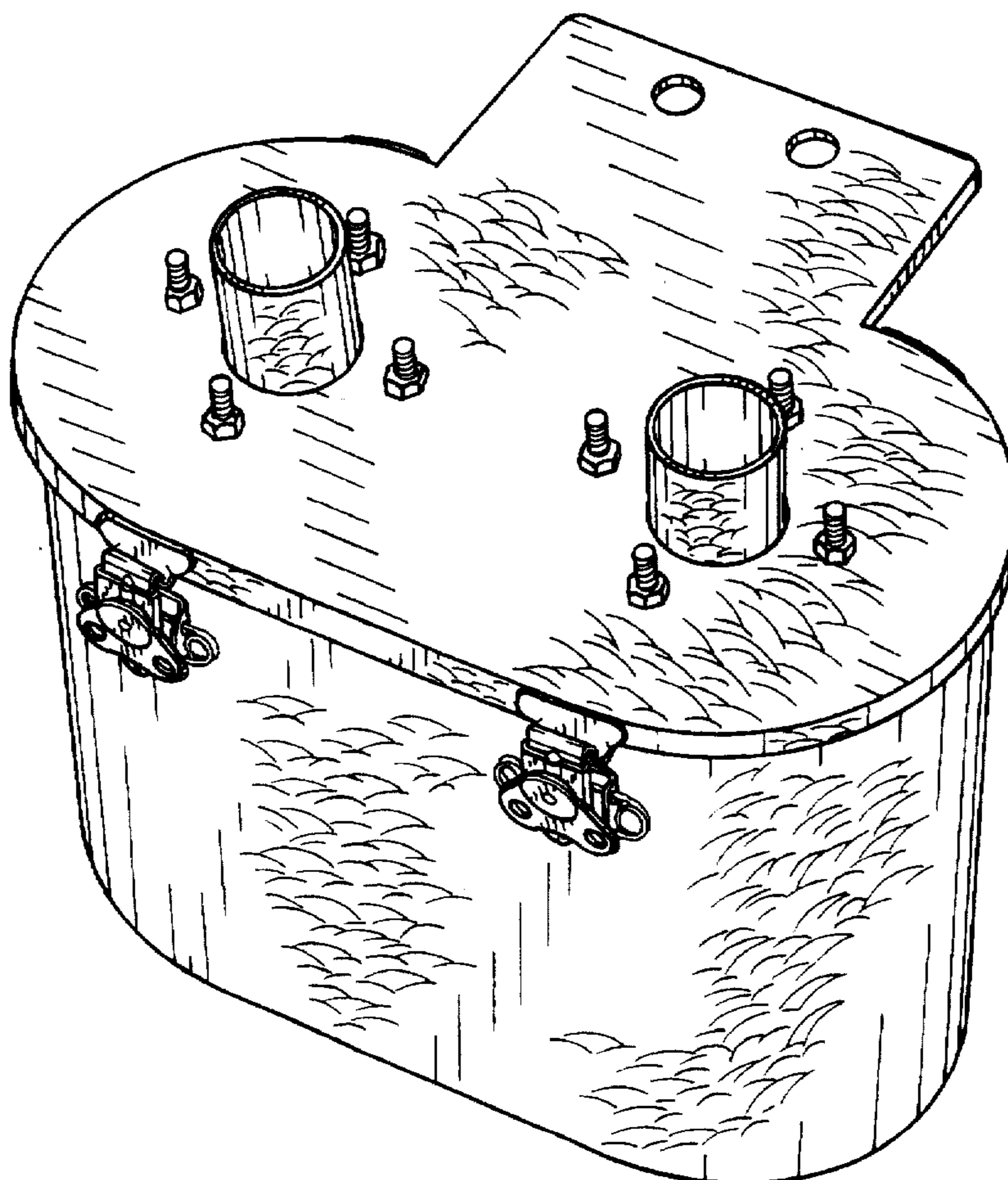
FIG. 1 is a perspective view from above of a vapor separator showing my new design;
FIG. 2 is a perspective view from below thereof;
FIG. 3 is a front elevational view thereof;
FIG. 4 is a rear elevational view thereof;
FIG. 5 is a right side elevational view thereof;
FIG. 6 is a left side elevational view thereof;
FIG. 7 is a top plan view thereof; and,
FIG. 8 is a bottom plan view thereof.

[56] References Cited

U.S. PATENT DOCUMENTS

3,413,778	12/1968	Lavery et al.	96/190
4,173,207	11/1979	Hiramatsu	123/519
4,370,971	2/1983	Bush	123/573
4,714,485	12/1987	Covert et al.	123/519 X
4,827,725	5/1989	Morse	96/206 X
4,871,381	10/1989	Smith	55/385.3
5,002,596	3/1991	Moskaitis et al.	123/519 X
5,427,685	6/1995	Thorley	96/190 X

1 Claim, 8 Drawing Sheets



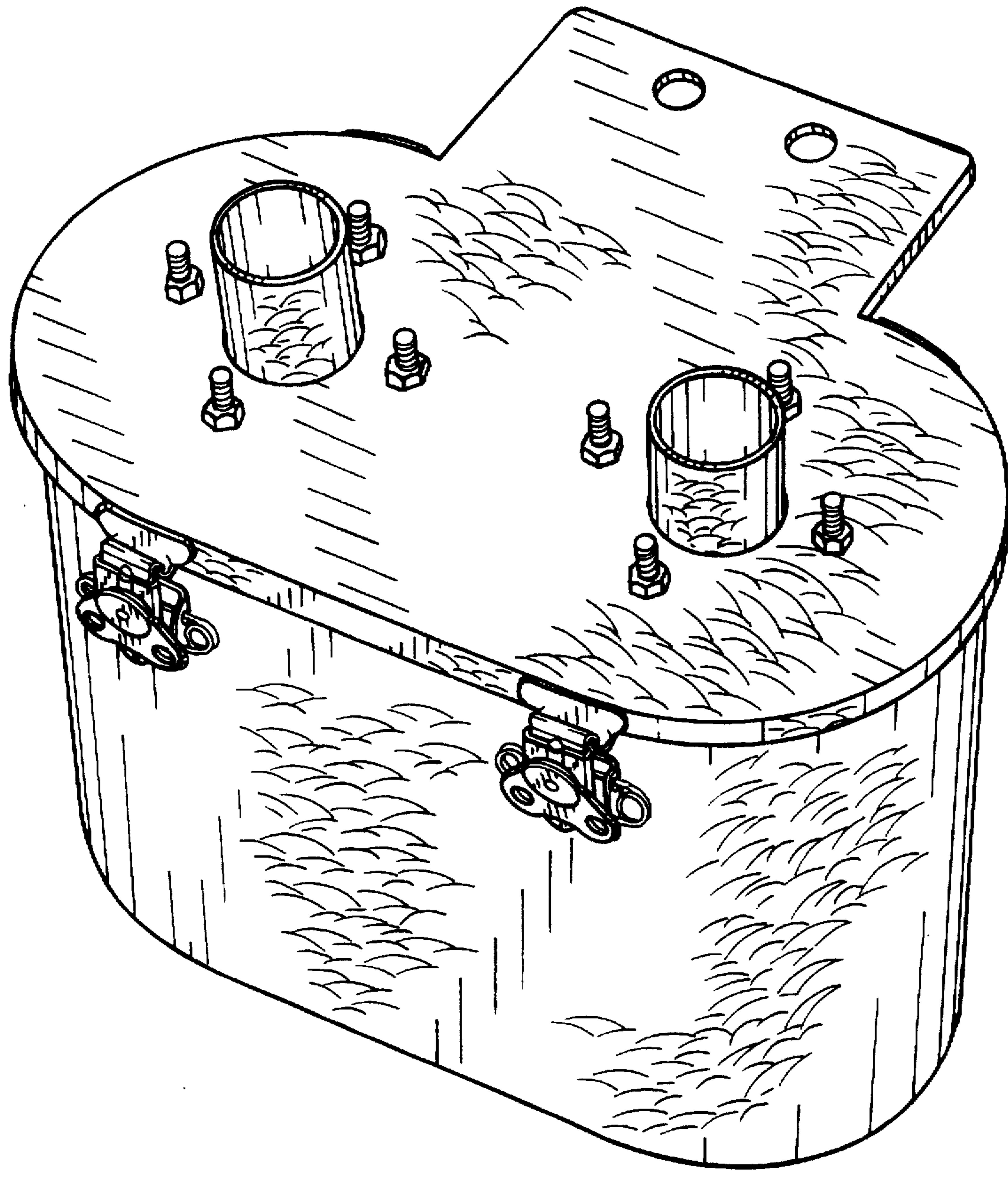


FIG 1

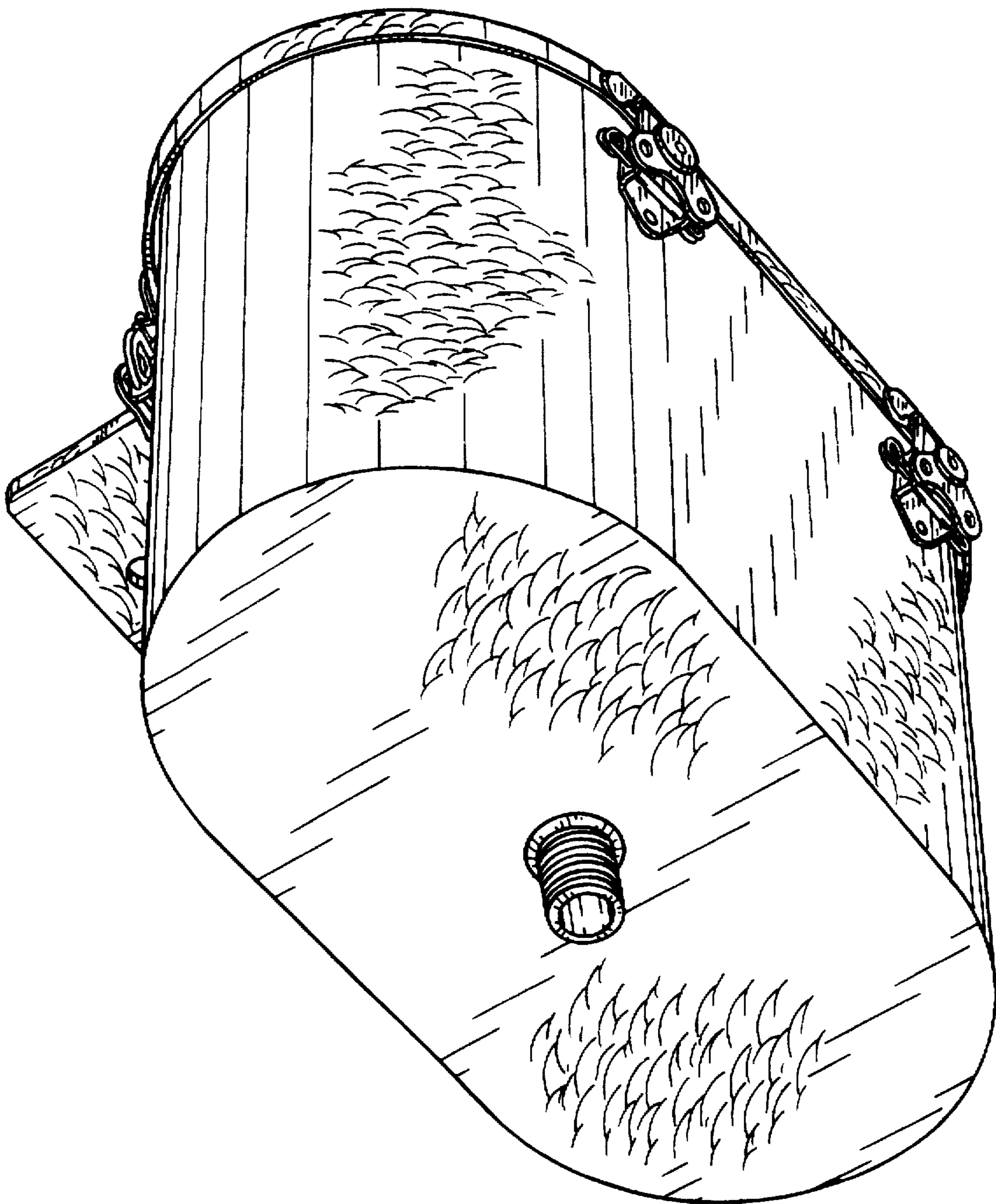


FIG 2

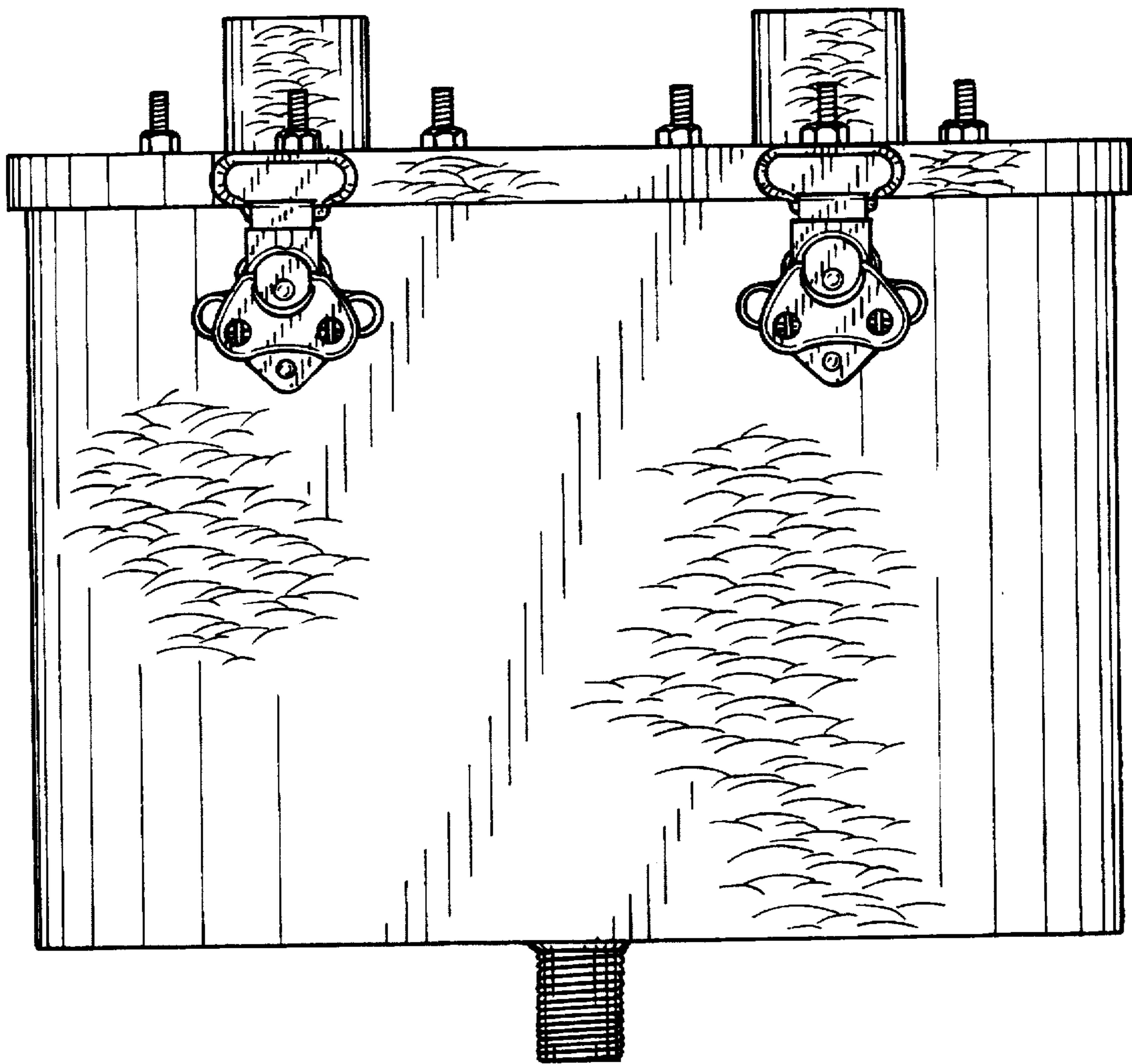


FIG 3

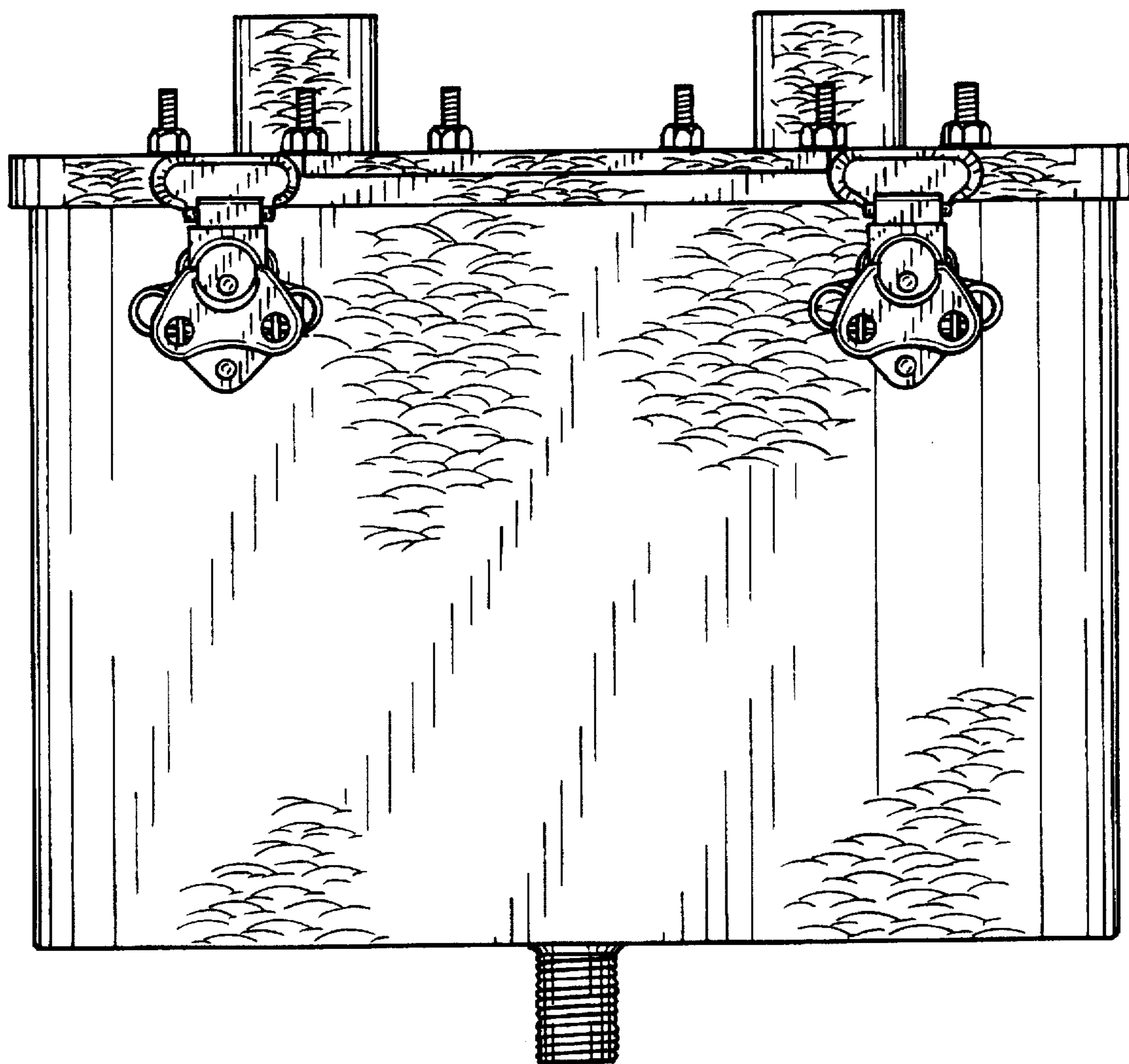


FIG 4

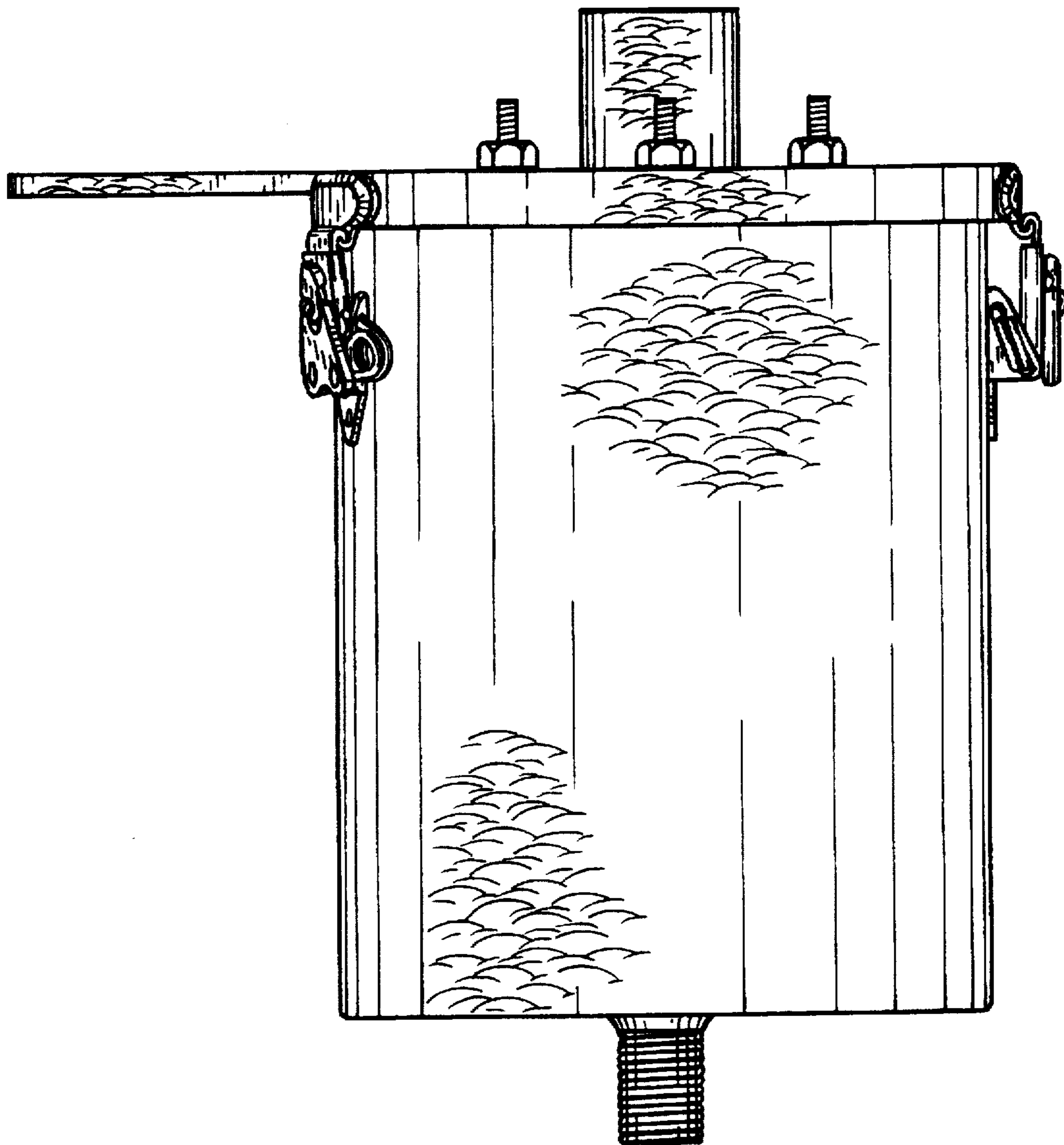


FIG 5

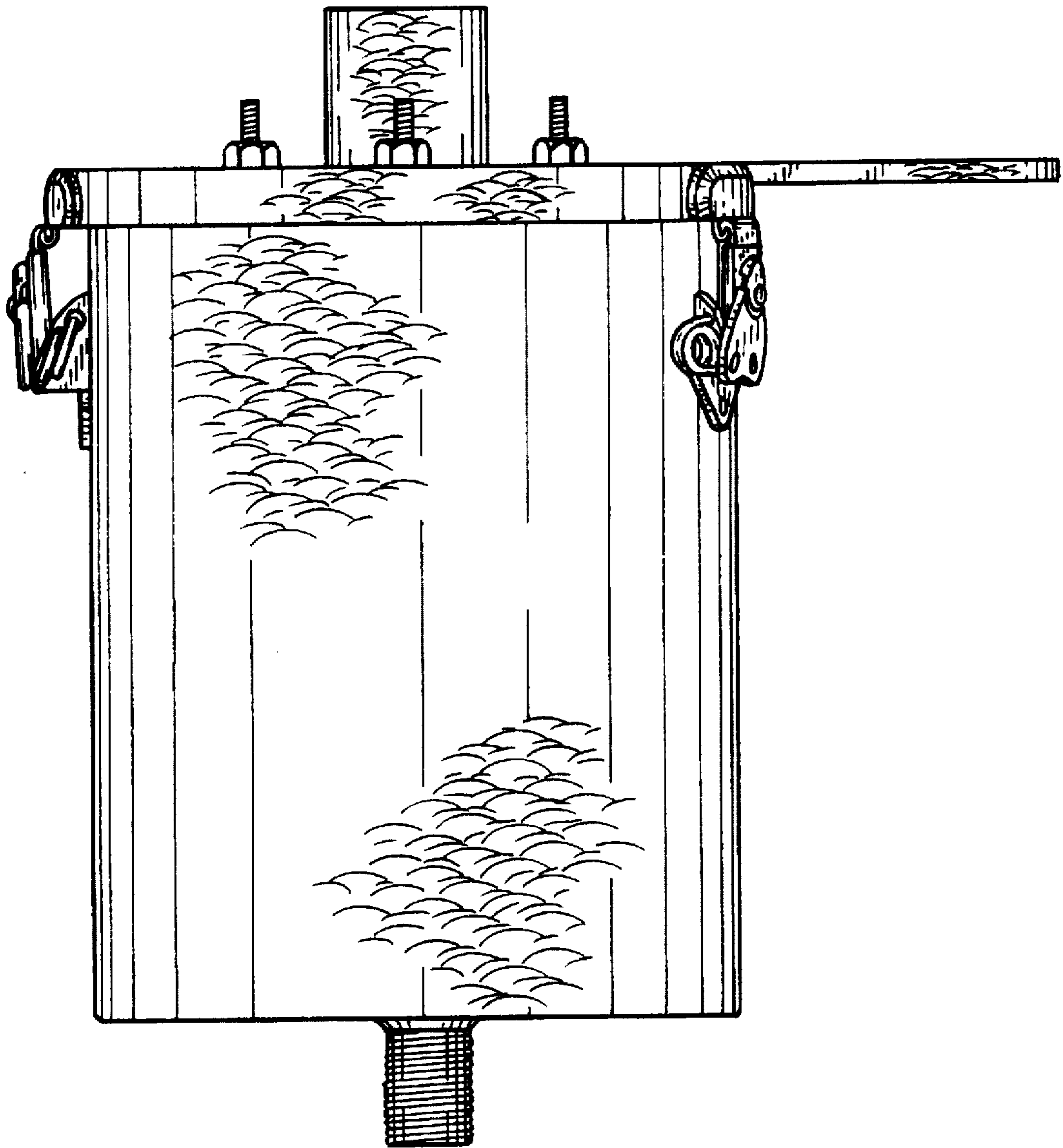


FIG 6

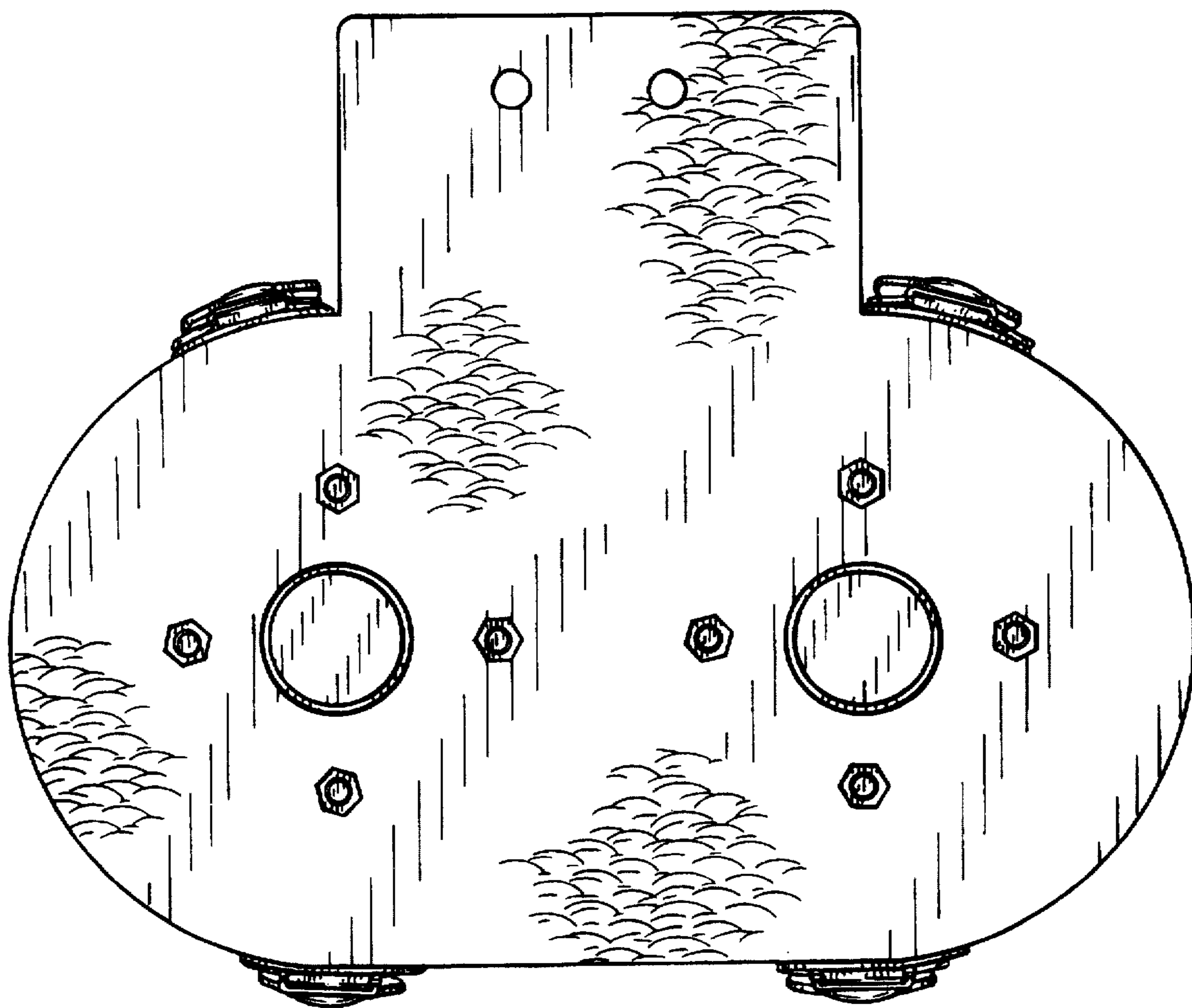


FIG 7

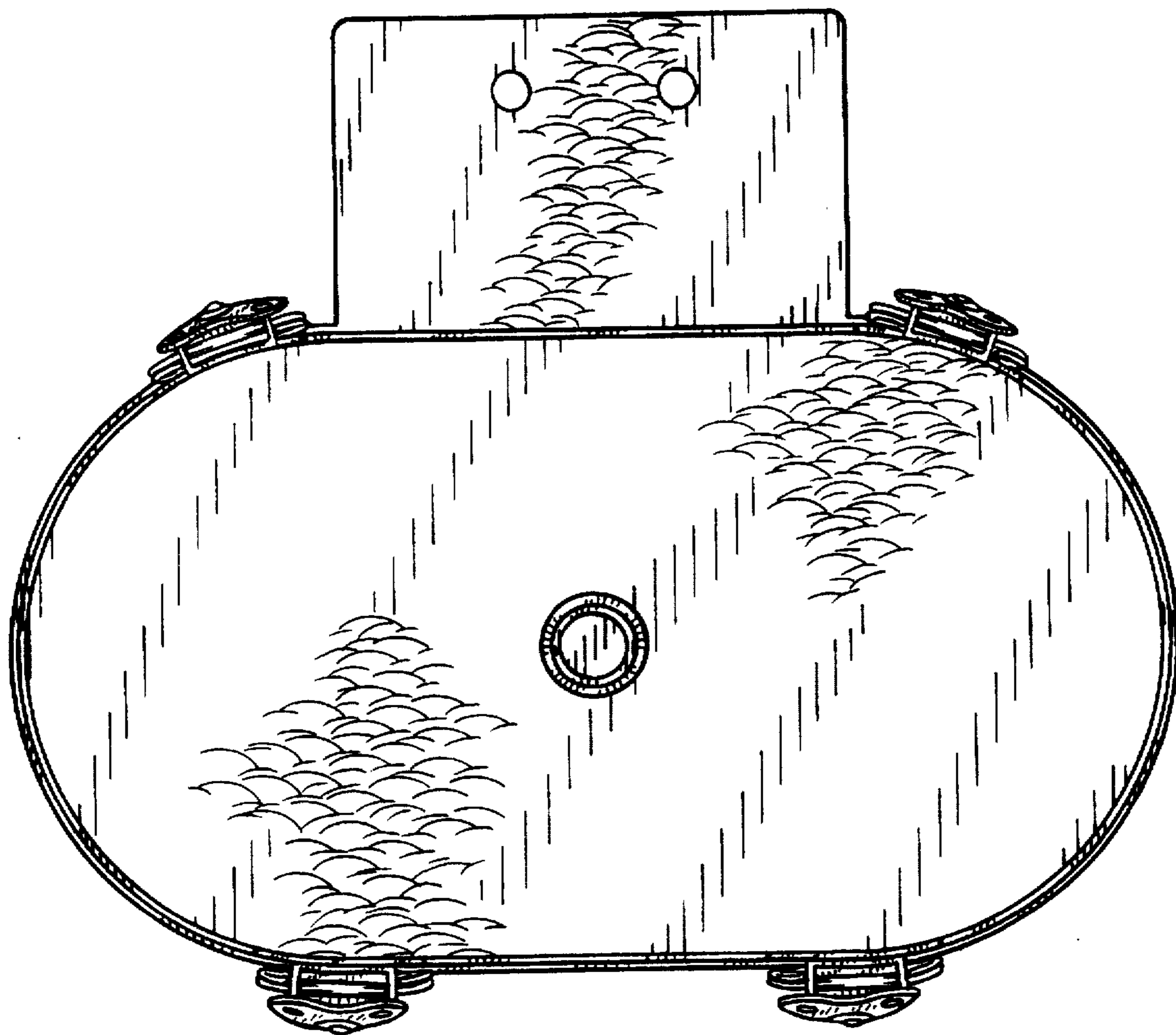


FIG 8