



US00D393470S

# United States Patent [19]

[11] Patent Number: Des. 393,470

Nagele et al.

[45] Date of Patent: \*\*Apr. 14, 1998

- [54] ESCUTCHEON
- [75] Inventors: **Albert L. Nagele**, Wilmette; **Chris A. Murzanski**, Cary, both of Ill.
- [73] Assignee: **Motorola, Inc.**, Schaumburg, Ill.
- [\*\*] Term: **14 Years**
- [21] Appl. No.: **63,280**
- [22] Filed: **Dec. 4, 1996**
- [51] LOC (6) Cl. .... **14-03**
- [52] U.S. Cl. .... **D14/249; D14/150**
- [58] Field of Search ..... D14/137, 138, D14/140, 142, 147, 148, 240, 249, 250, 248; 455/89, 90; 379/419, 420, 428, 440, 433, 454, 455, 58-61

- D. 375,732 11/1996 Lindeman et al. .... D14/138
- D. 376,143 12/1996 Biskup et al. .... D14/138
- 5,327,584 7/1994 Adachi et al. .... 455/89
- 5,542,106 7/1996 Krenz et al. .... 455/90
- 5,577,269 11/1996 Ludewig ..... 455/90

### OTHER PUBLICATIONS

Nagele, Albert L. et al., U.S. application No. per sect 11, pp. 30 29/058,999, "Portable Telephone or Similar Article", Aug. 1996.

*Primary Examiner*—Jeffrey Asch  
*Attorney, Agent, or Firm*—Donald C. Kordich

### [57] CLAIM

The ornamental design for the escutcheon, as shown and described.

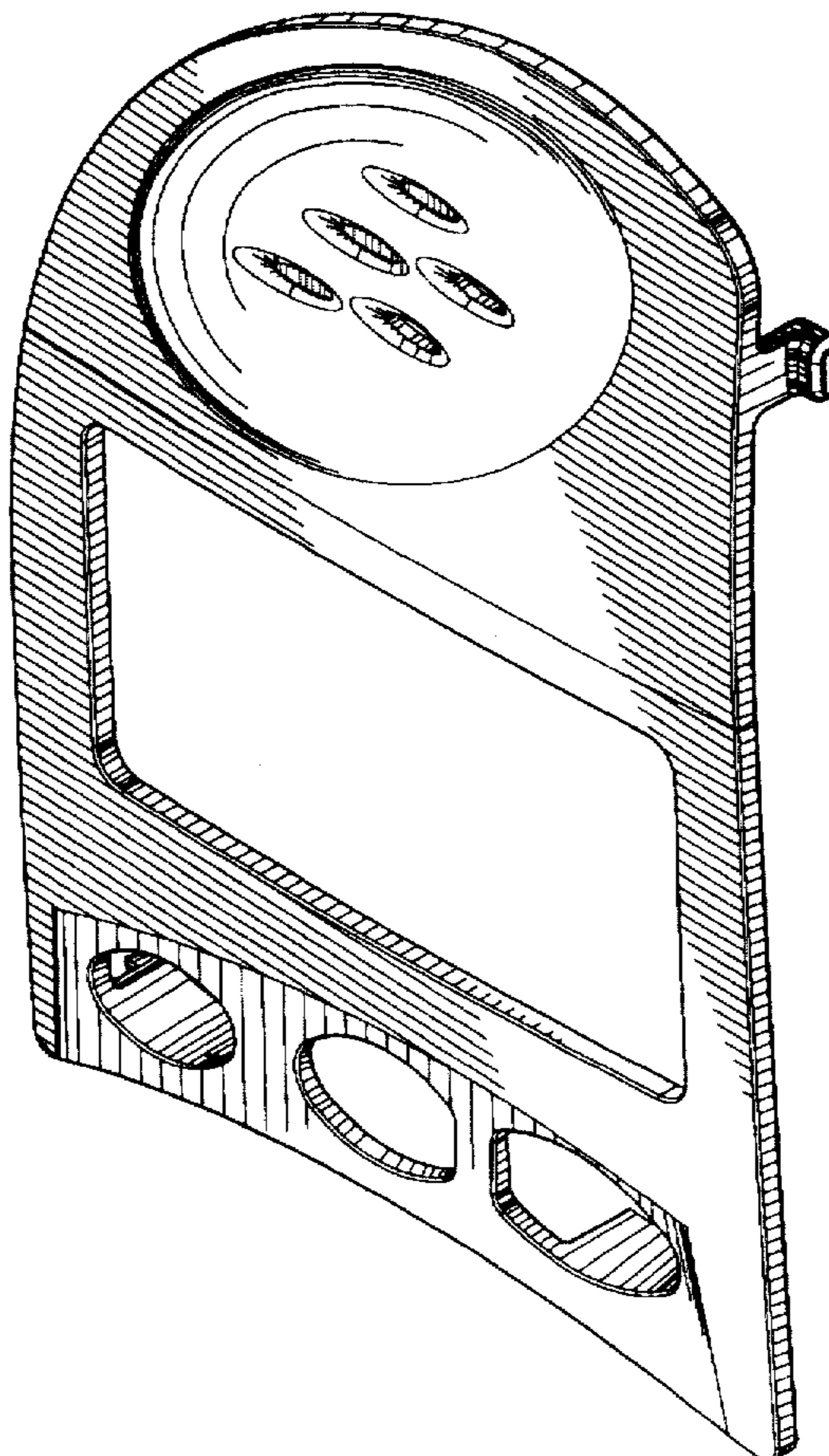
### DESCRIPTION

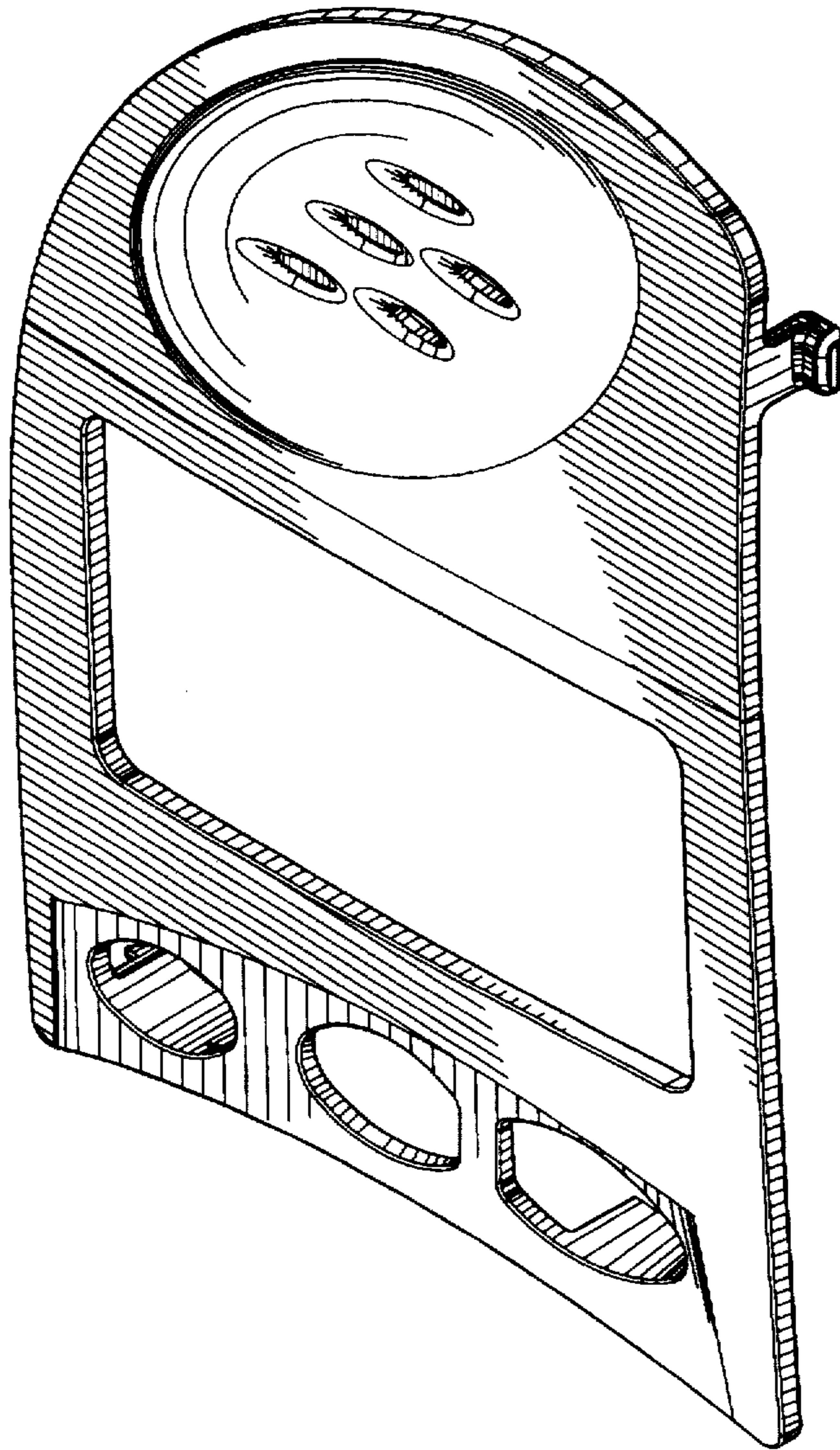
FIG. 1 is a perspective view of the escutcheon showing our new design;  
 FIG. 2 is a top plan view thereof;  
 FIG. 3 is a front elevational view thereof;  
 FIG. 4 is a left elevational view thereof;  
 FIG. 5 is a right elevational view thereof;  
 FIG. 6 is a rear elevational view thereof; and,  
 FIG. 7 is a bottom plan view thereof.

**1 Claim, 3 Drawing Sheets**

[56] **References Cited**  
**U.S. PATENT DOCUMENTS**

- D. 219,451 12/1970 Blackman ..... D14/250
- D. 343,172 1/1994 Watanabe ..... D14/138
- D. 343,616 1/1994 Nagele et al. .... D14/138
- D. 356,309 3/1995 Taylor ..... D14/138
- D. 359,960 7/1995 Kennedy et al. .... D14/240 X
- D. 367,649 3/1996 Richard et al. .... D14/147 X
- D. 369,599 5/1996 Wang ..... D14/138
- D. 370,671 6/1996 Lam et al. .... D14/147 X

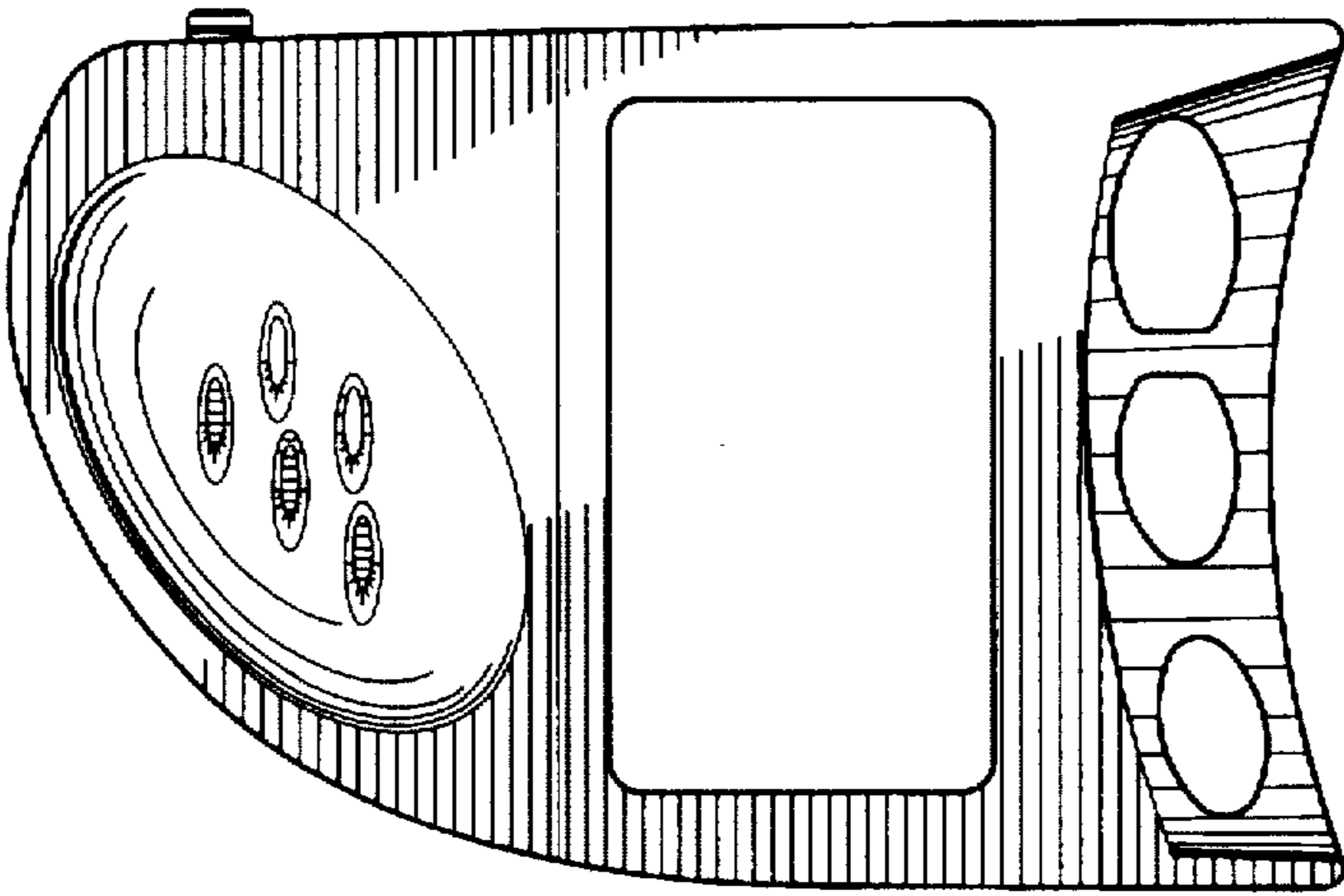




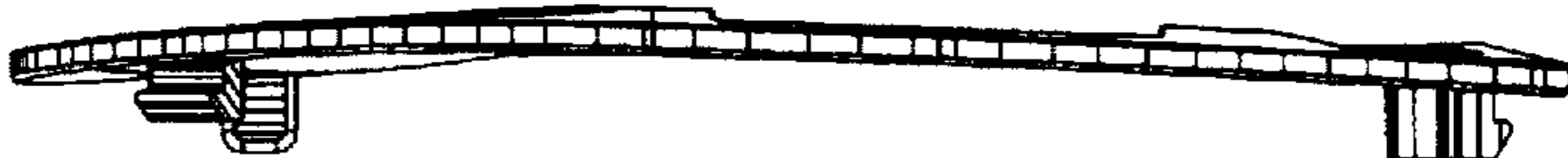
*FIG. 1*



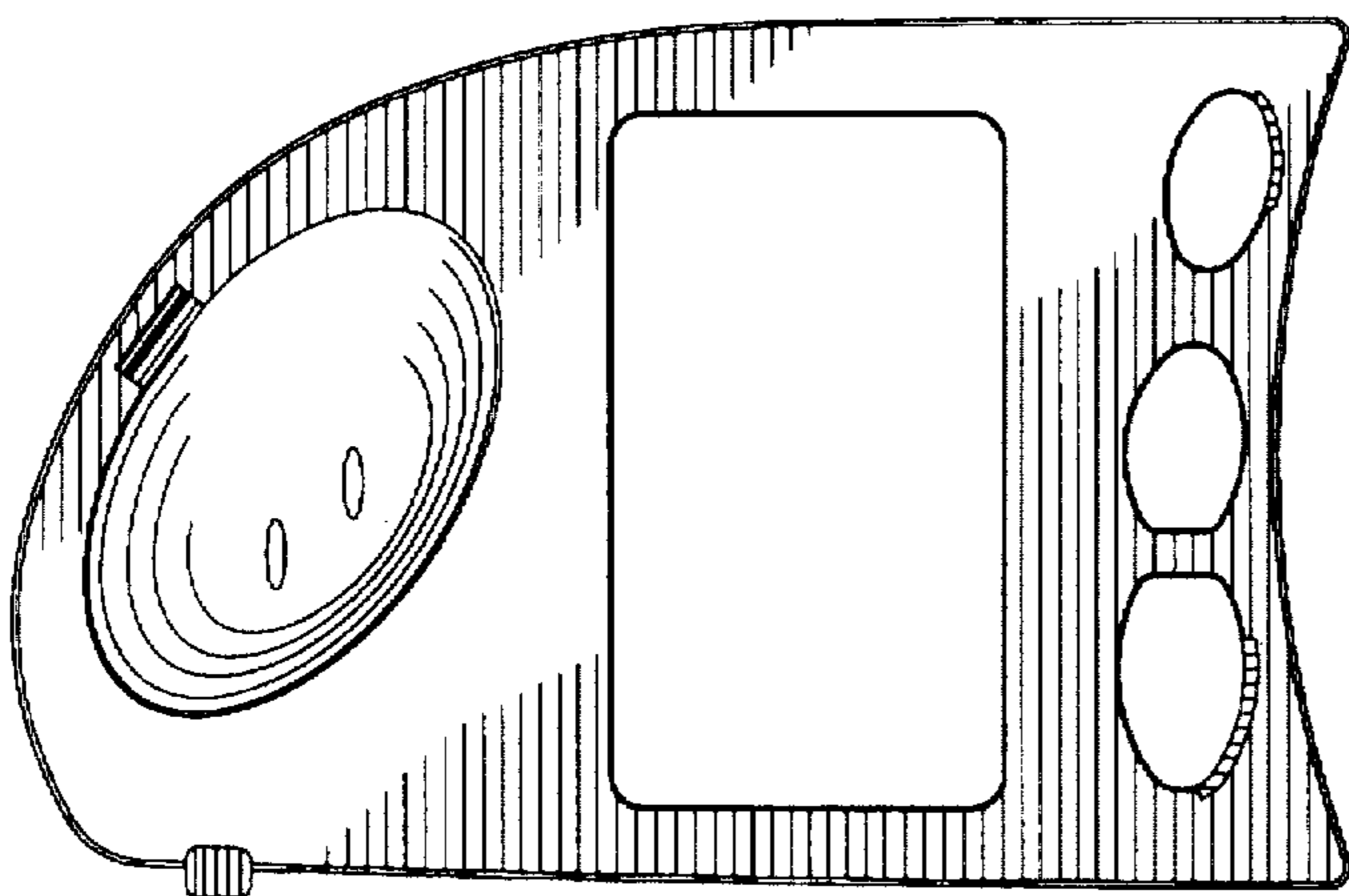
*FIG. 2*



*FIG. 3*



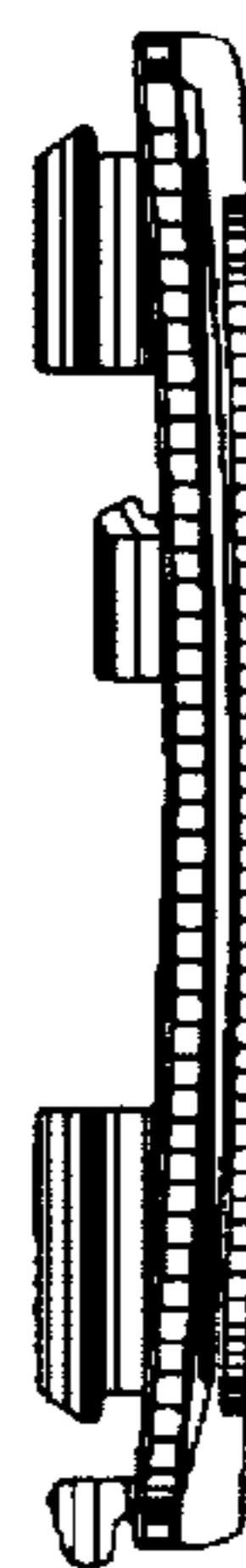
*FIG. 4*



*FIG. 6*



*FIG. 5*



*FIG. 7*