



US00D393463S

United States Patent [19]

Beaumont et al.

[11] Patent Number: Des. 393,463

[45] Date of Patent: **Apr. 14, 1998

[54] **FIXED WIRELESS TERMINAL ENCLOSURE**

[75] Inventors: **Thomas Glenn Beaumont**, Bedford;
Paul Sylvester Stevens, Keller; **Mark Andrew Huslig**, Haltom City, all of Tex.

[73] Assignee: **Motorola, Inc.**, Schaumburg, Ill.

[**] Term: **14 Years**

[21] Appl. No.: **65,523**

[22] Filed: **Jan. 27, 1997**

[51] **LOC (6) Cl.** **14-03**

[52] **U.S. Cl.** **D14/149; D14/240**

[58] **Field of Search** D14/140, 142, D14/149, 240, 256, 100, 107, 114, 155, 159, 137, 242, 188, 198, 257, 141; D13/147, 152, 184, 164, 177; 379/419, 420, 428, 440, 441, 442, 399, 418; 361/823, 724; 174/52.1, 59, 52.3, 53; 385/134, 135; 439/412, 417, 709; 455/347, 90, 561, 346, 550

[56] **References Cited**

U.S. PATENT DOCUMENTS

D. 272,443	1/1984	Wong et al.	D14/155
D. 284,854	7/1986	Valliant	D14/240
D. 293,568	1/1988	Martinez	D14/141
D. 313,233	12/1990	Andrews, Sr. et al.	D14/140 X
D. 351,601	10/1994	Rak	D14/242
D. 363,722	10/1995	Aldridge et al.	D14/242
D. 365,562	12/1995	Abrams	D14/159

D. 372,715	8/1996	Lin	D14/141 X
D. 375,297	11/1996	Casarez	D14/107
D. 379,993	6/1997	Devitt et al.	D14/240

Primary Examiner—Jeffrey Asch
Attorney, Agent, or Firm—Bruce Terry

[57] **CLAIM**

The ornamental design for a “fixed wireless terminal enclosure”, as shown and described.

DESCRIPTION

FIG. 1 is a top plan view in accordance with a first embodiment of a design for a fixed wireless terminal enclosure;

FIG. 2 is a bottom plan view thereof;

FIG. 3 is a right side elevational view thereof;

FIG. 4 is a left side elevational view thereof;

FIG. 5 is a back, elevational view thereof;

FIG. 6 is a front, elevational view thereof;

FIG. 7 is a perspective view thereof;

FIG. 8 is a top plan view in accordance with a second embodiment of a design for a fixed wireless terminal enclosure;

FIG. 9 is a bottom plan view thereof;

FIG. 10 is a right side elevational view thereof;

FIG. 11 is a left side elevational view thereof;

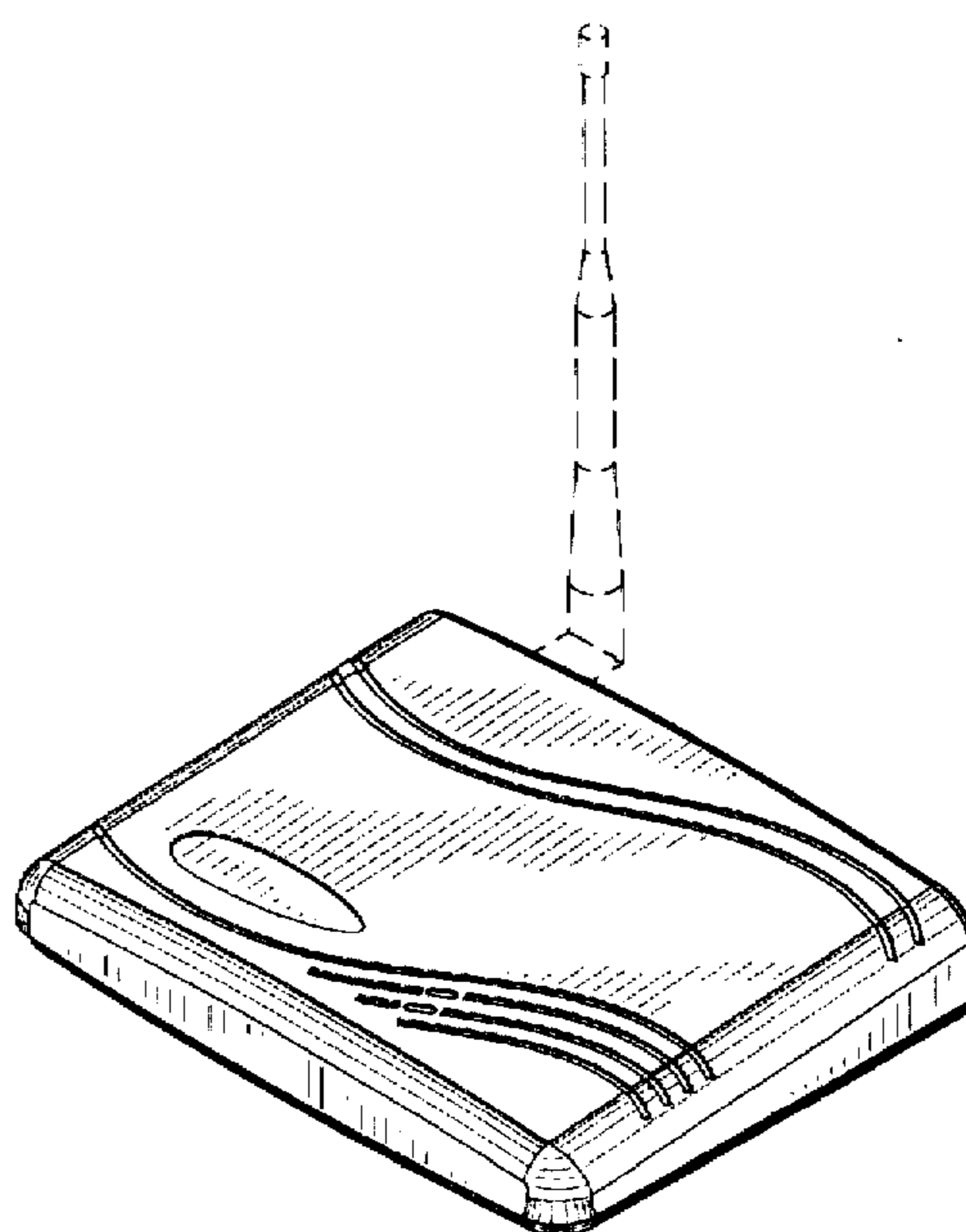
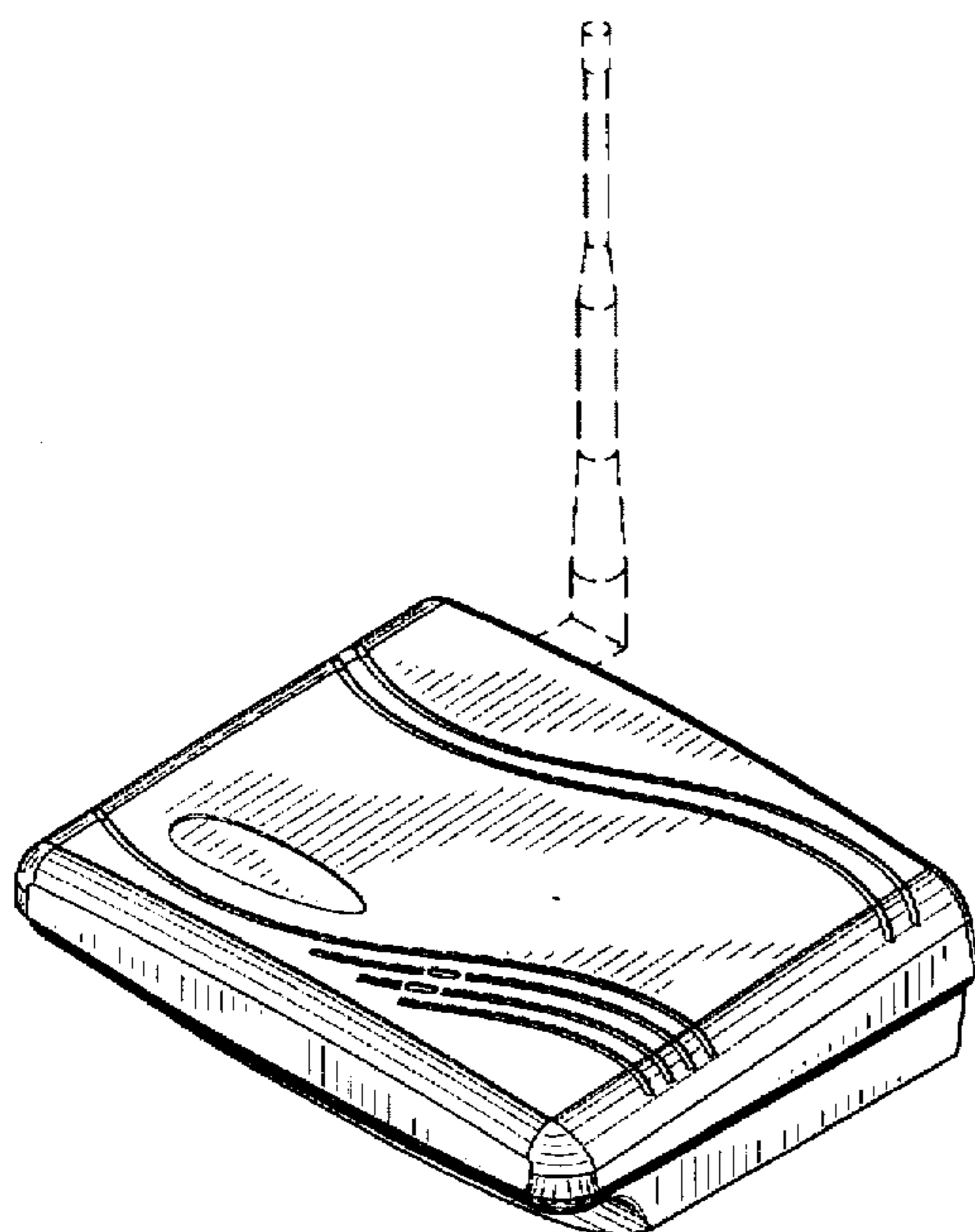
FIG. 12 is a back, elevational view thereof;

FIG. 13 is a front, elevational view thereof; and,

FIG. 14 is a perspective view thereof.

The broken line showings in FIGS. 1–14 are for illustrative purposes only and form no part of the claimed design.

1 Claim, 8 Drawing Sheets



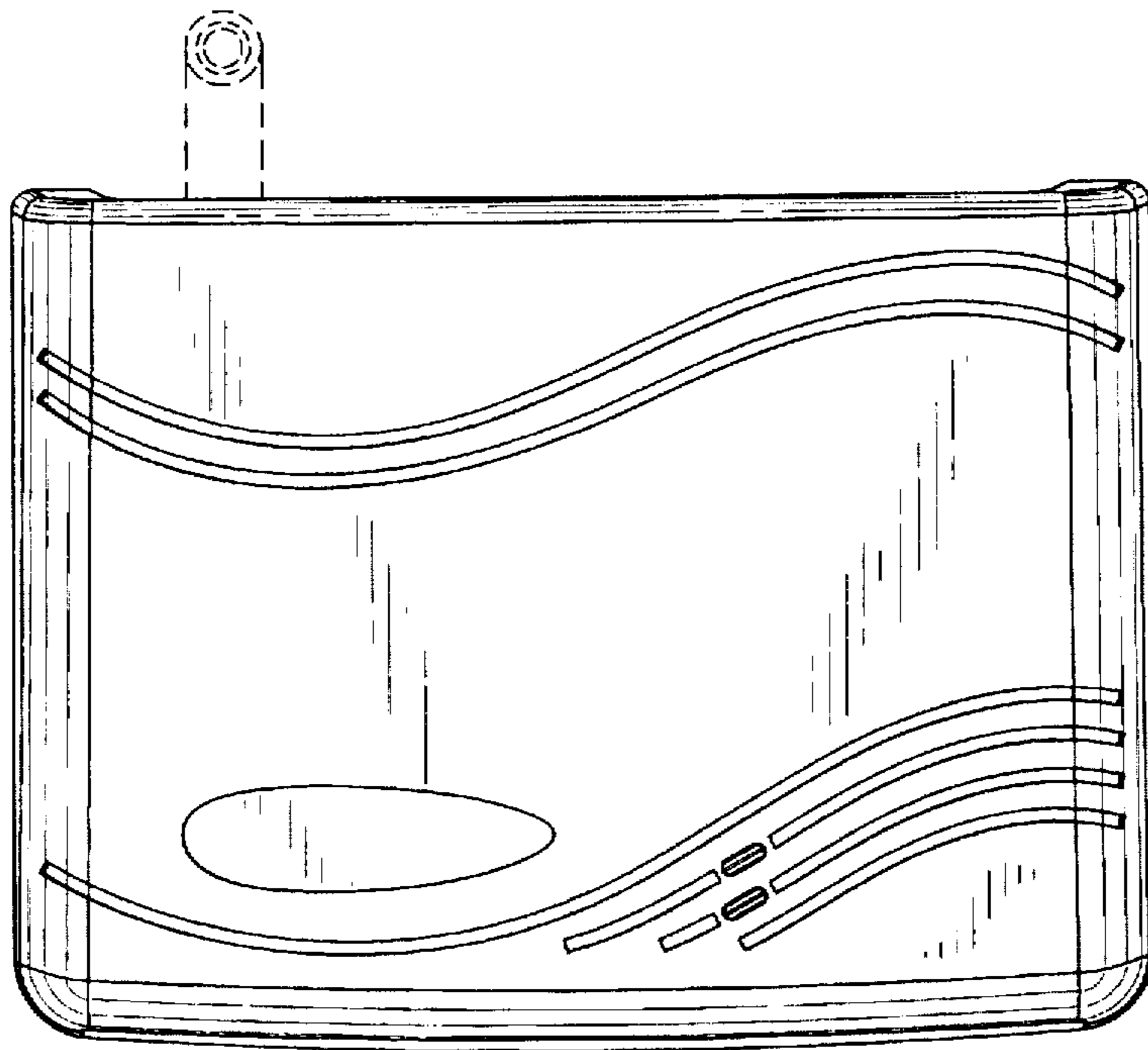


FIG. 1

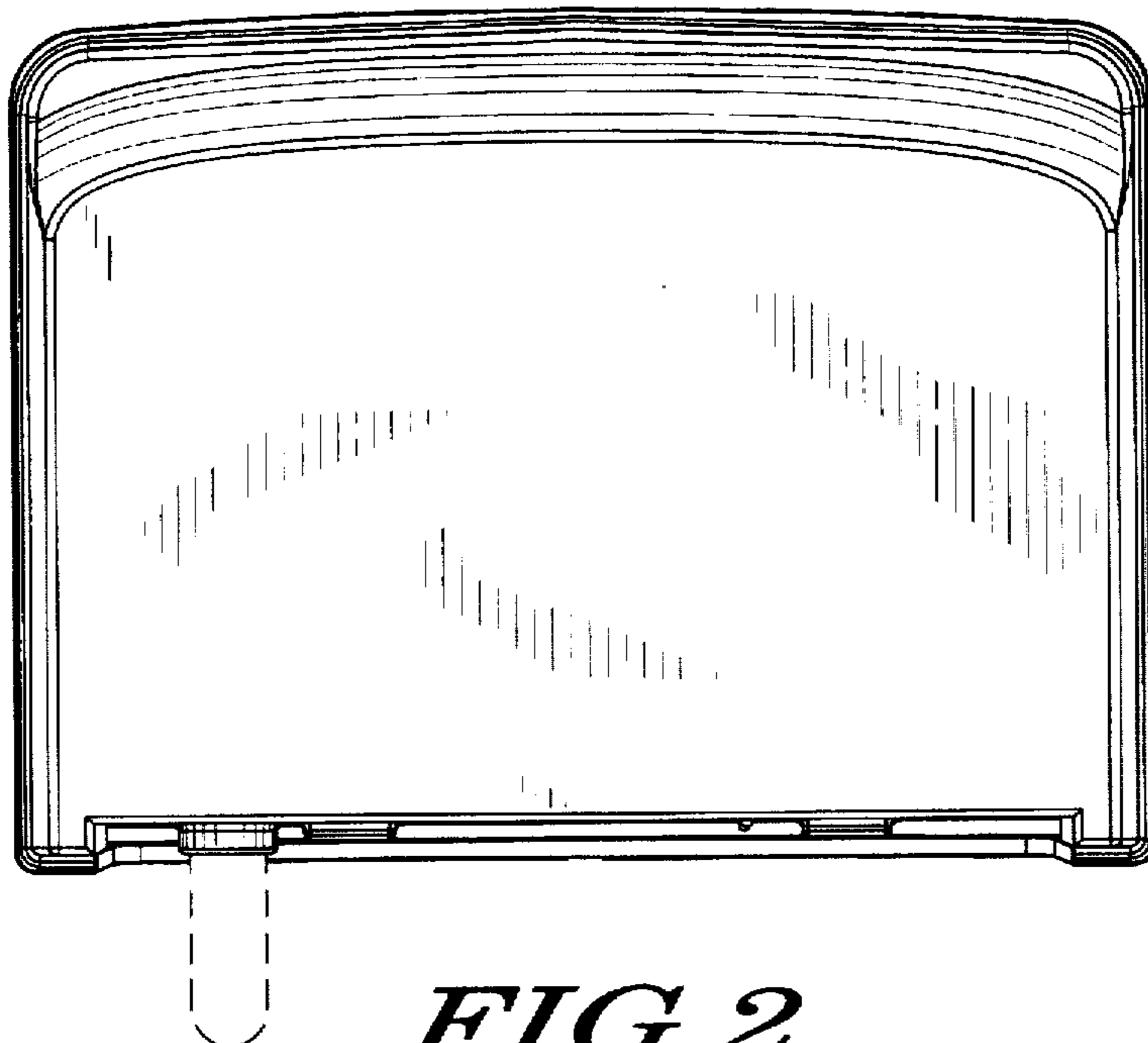


FIG. 2

FIG. 3

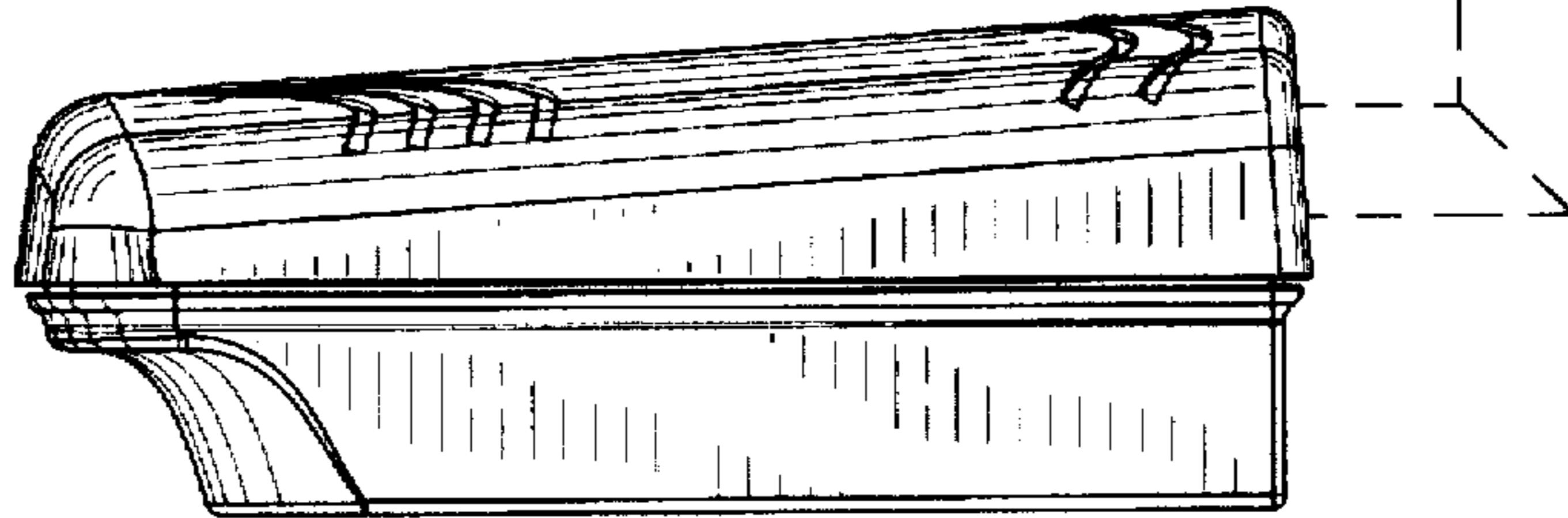


FIG. 4

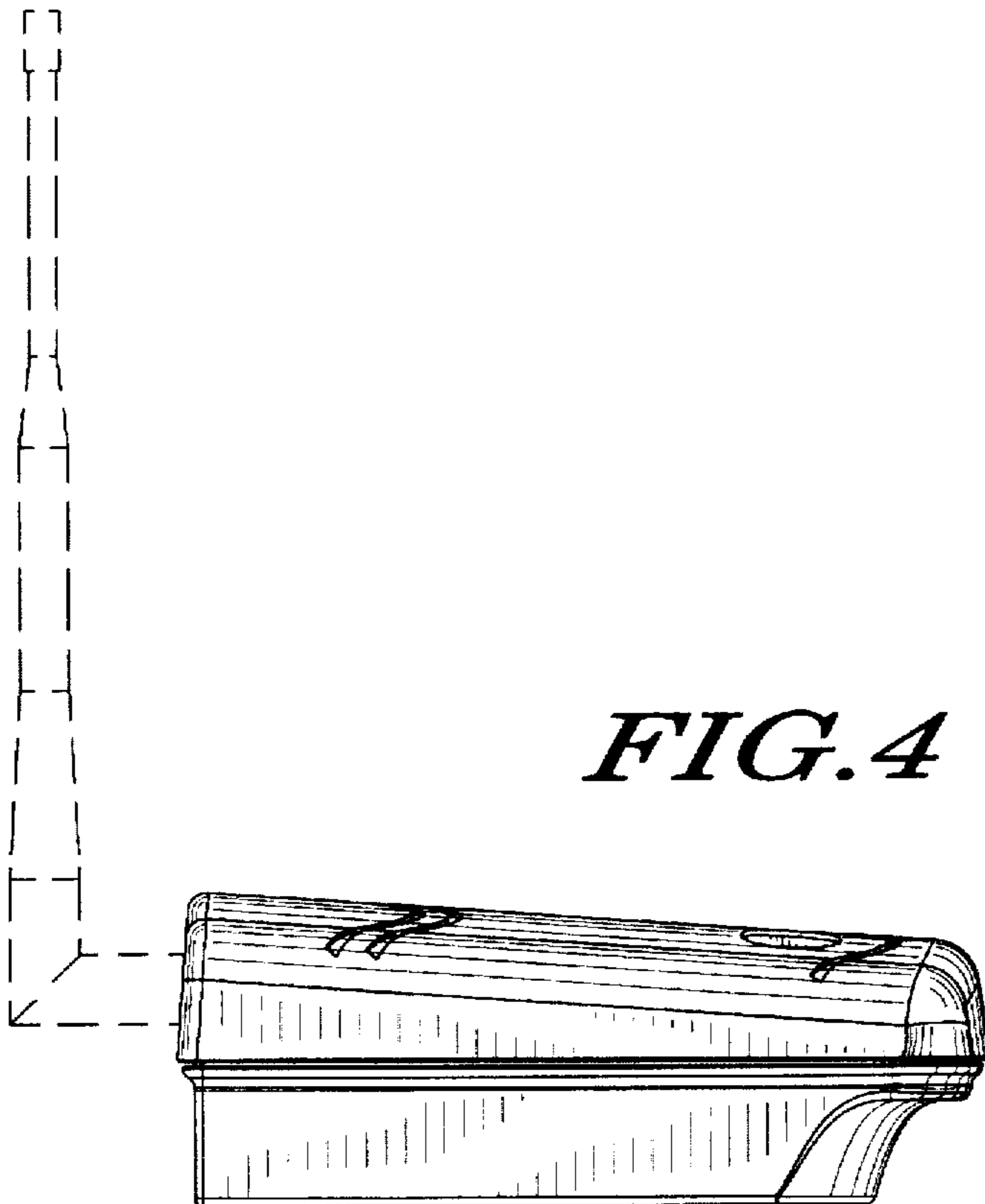


FIG. 5

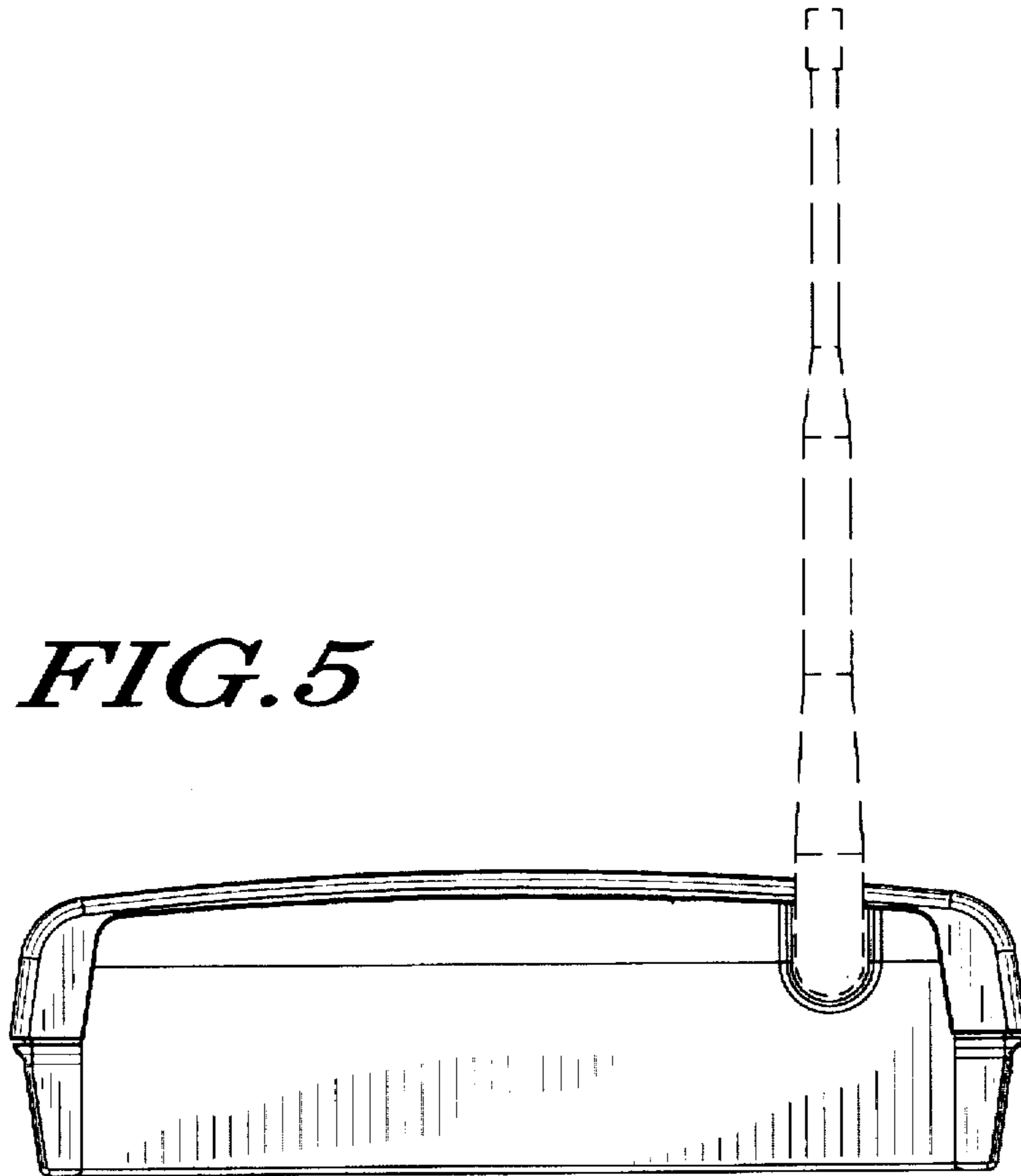
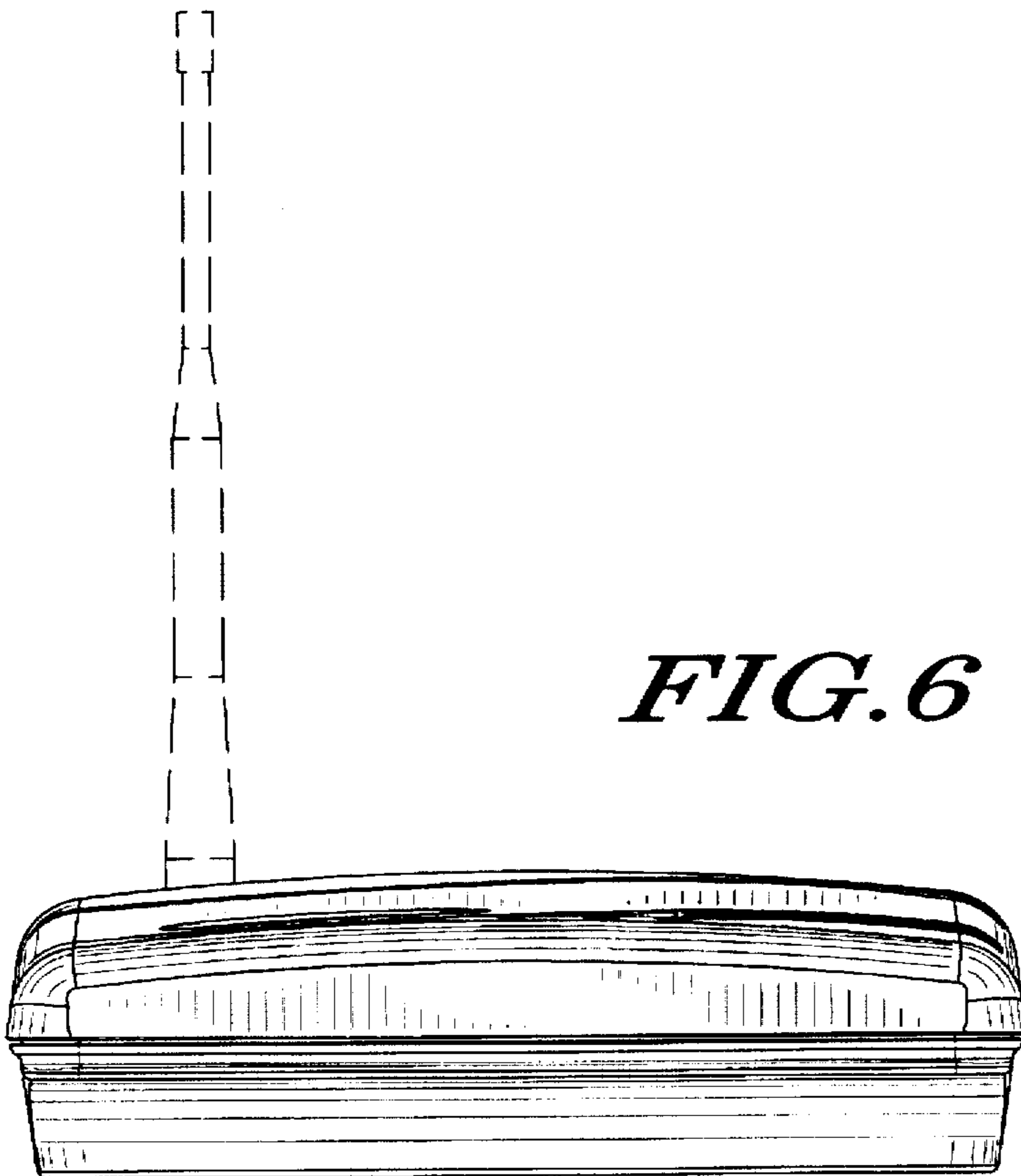


FIG. 6



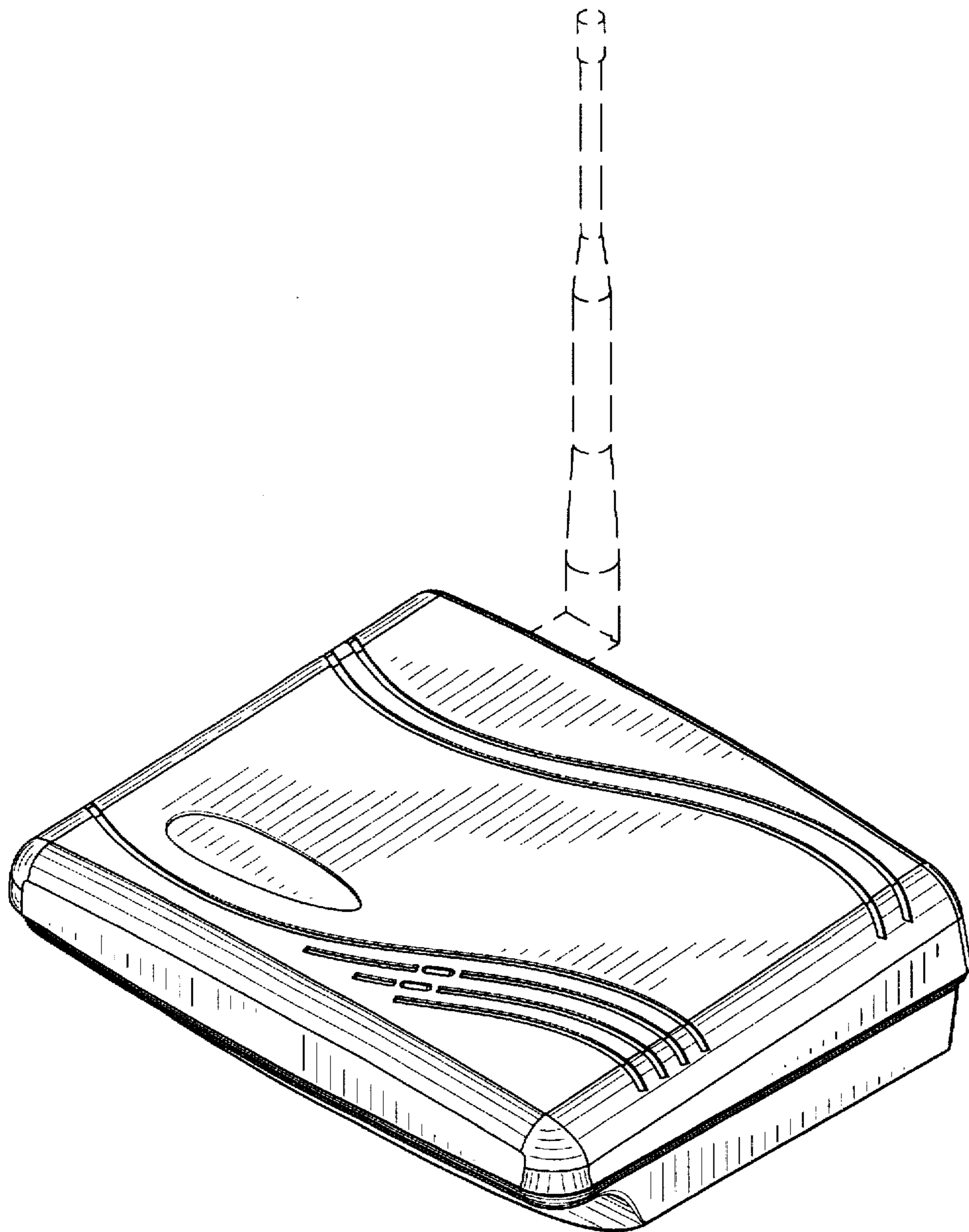


FIG. 7

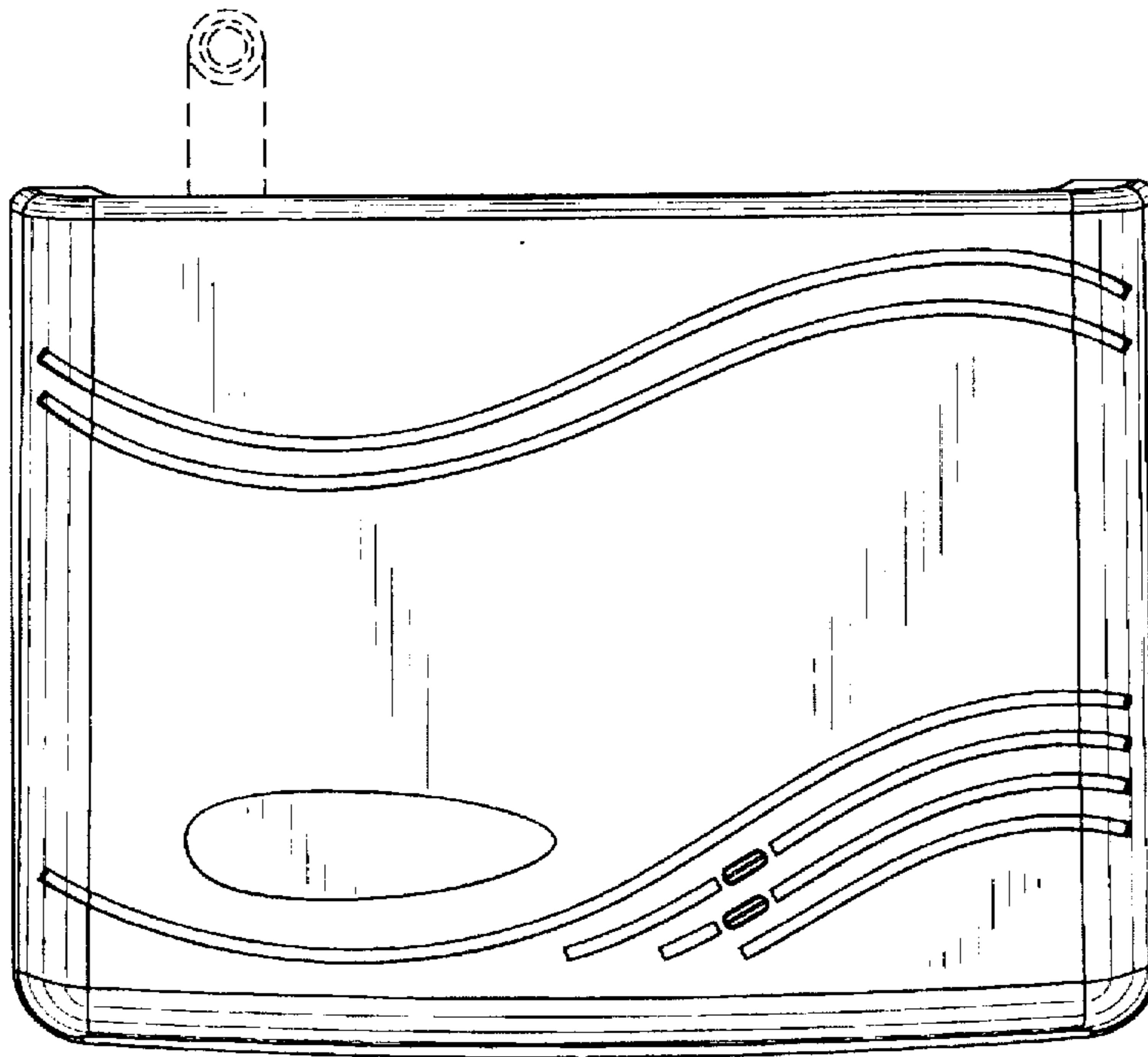


FIG. 8

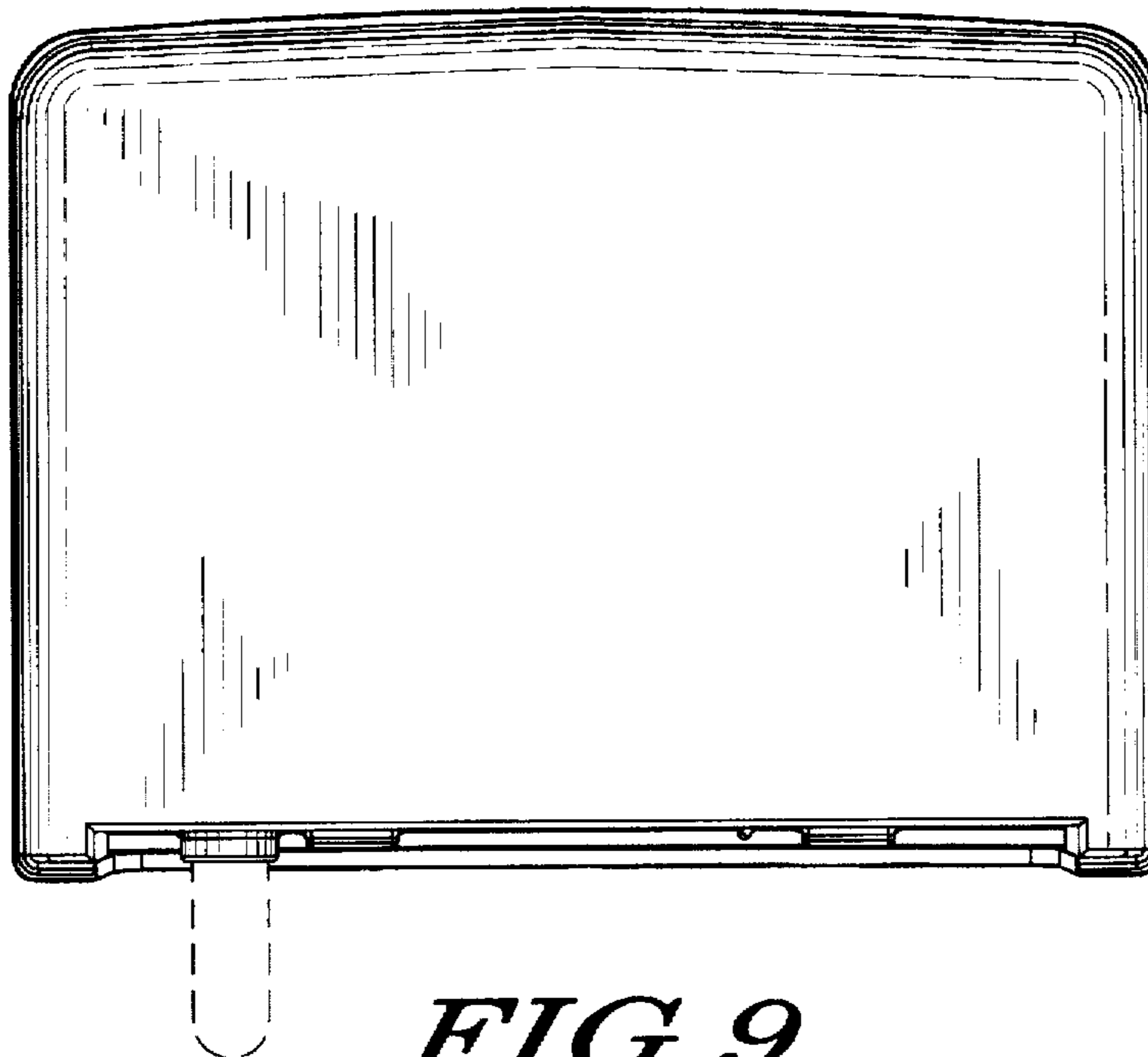


FIG. 9

FIG. 10

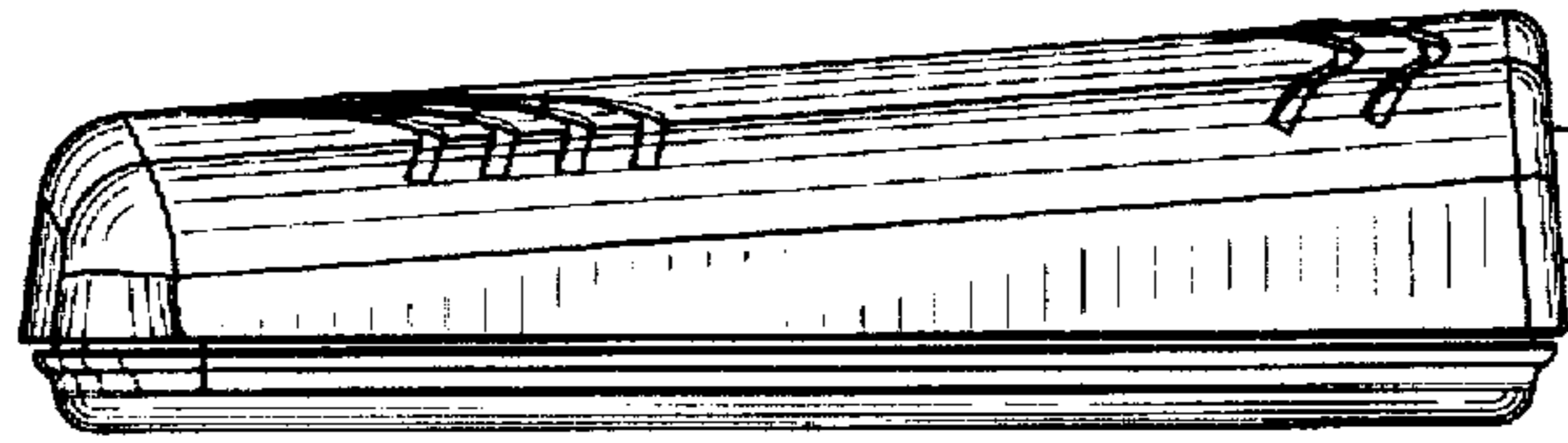


FIG. 11

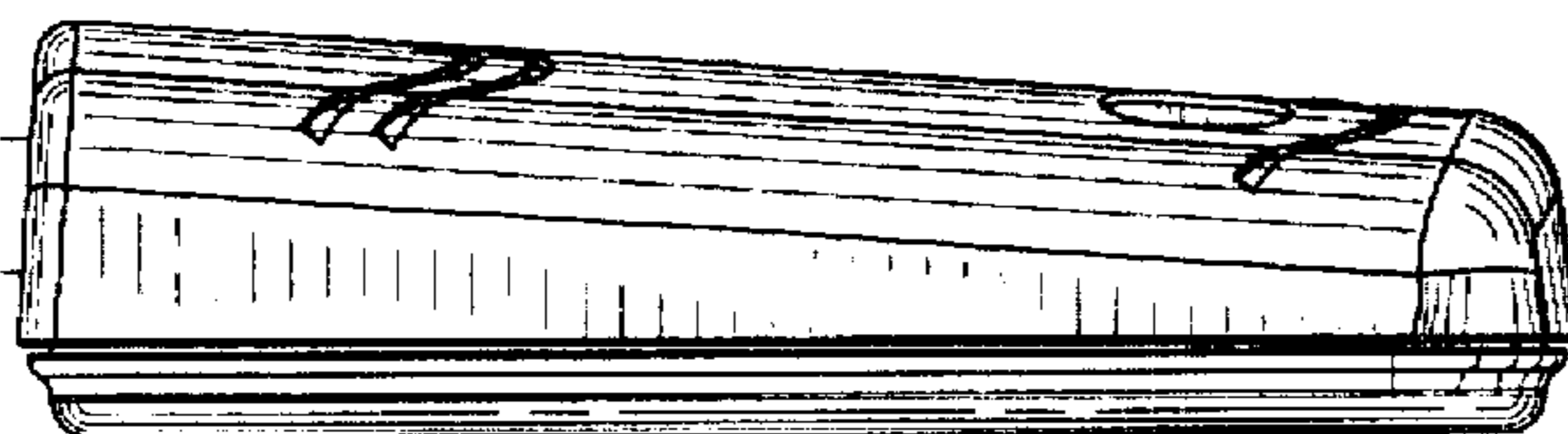


FIG. 12

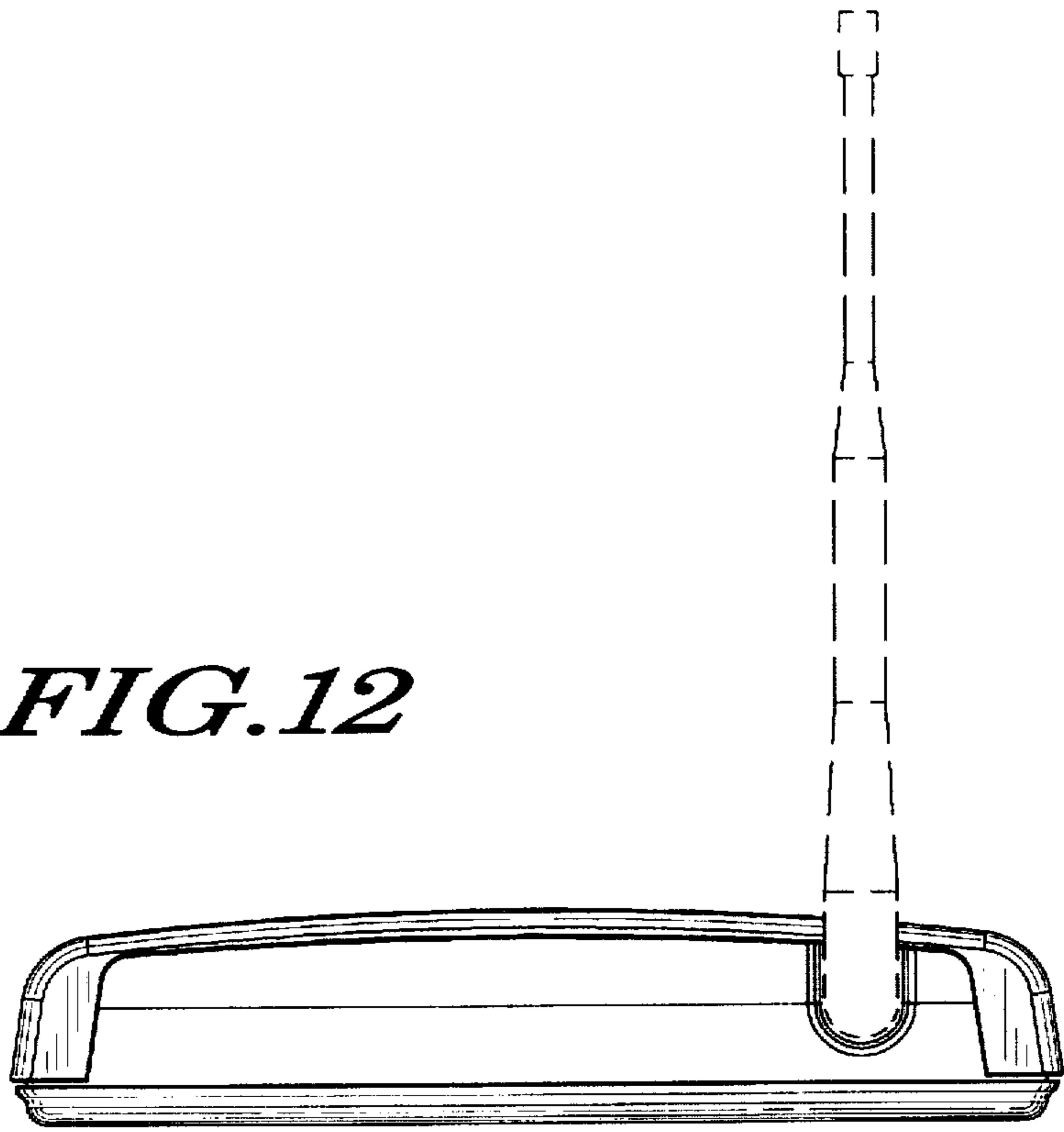
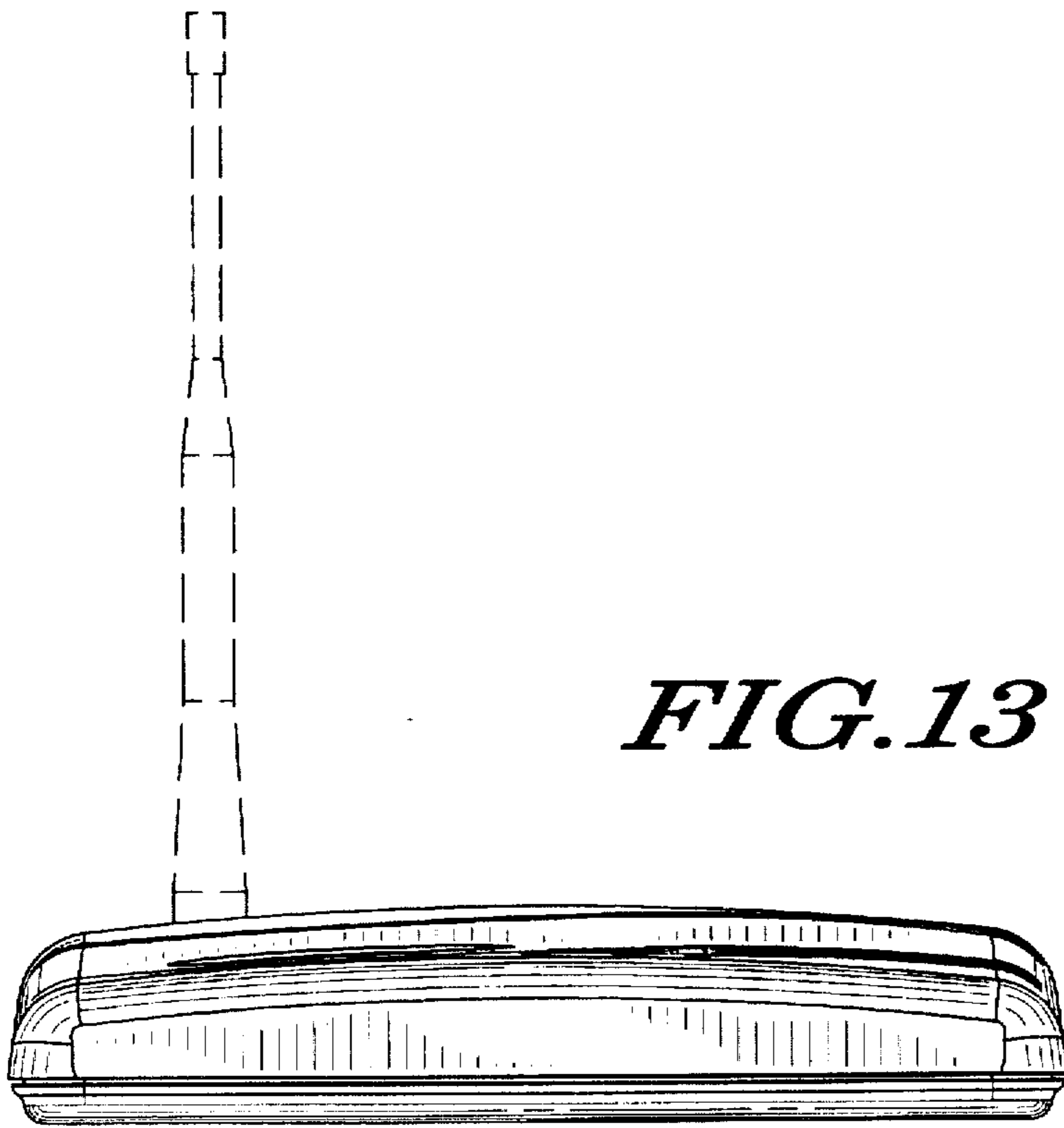


FIG. 13



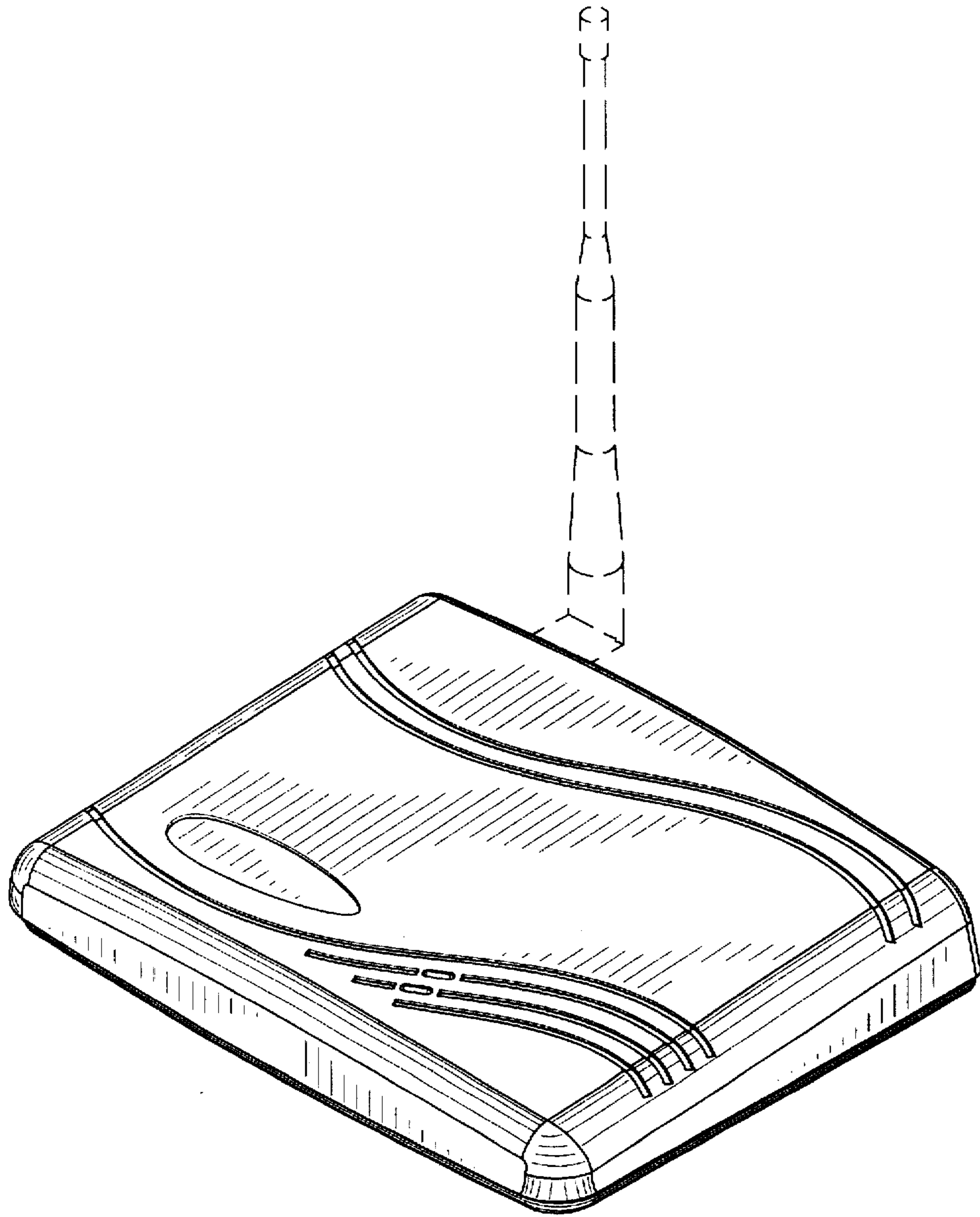


FIG. 14