



US00D393461S

United States Patent [19]
Goto

[11] **Patent Number: Des. 393,461**
[45] **Date of Patent: **Apr. 14, 1998**

[54] **TELEVISION MONITOR**

[75] Inventor: **Teiyu Goto**, Tokyo, Japan
[73] Assignee: **Sony Corporation**, Tokyo, Japan
[**] Term: **14 Years**

[21] Appl. No.: **59,766**
[22] Filed: **Sep. 16, 1996**

[30] **Foreign Application Priority Data**

Mar. 25, 1996 [JP] Japan 8-8100

[51] **LOC (6) Cl.** **14-03**
[52] **U.S. Cl.** **D14/126; D14/113**
[58] **Field of Search** **D14/113, 124-134;**
348/825, 827, 836, 838; 312/7.2

[56] **References Cited**

U.S. PATENT DOCUMENTS

D. 314,563 2/1991 Maurer et al. D14/113
D. 317,603 6/1991 Kawanabe D14/133
D. 324,215 2/1992 Kawai D14/129
D. 342,495 12/1993 Morita et al. D14/126

Primary Examiner—Prabhakar G. Deshmukh
Assistant Examiner—Richelle Shelton
Attorney, Agent, or Firm—Foley & Lardner

[57] **CLAIM**

The ornamental design for a television monitor, as shown and described.

DESCRIPTION

FIG. 1 is a perspective view of a first embodiment of a television monitor showing my new design;
FIG. 2 is a top plan view thereof;
FIG. 3 is a front elevational view thereof;
FIG. 4 is a bottom plan view thereof;
FIG. 5 is a right side elevational view thereof, a left side elevational view thereof being a mirror image;
FIG. 6 is a rear elevational view thereof;
FIG. 7 is a perspective view of a second embodiment of a television monitor showing my new design;
FIG. 8 is a top plan view of the embodiment of FIG. 7;
FIG. 9 is a front elevational view of the embodiment of FIG. 7;
FIG. 10 is a bottom plan view of the embodiment of FIG. 7;
FIG. 11 is a right side elevational view of the embodiment of FIG. 7, a left side elevational view of the embodiment of FIG. 7 being a mirror image;
FIG. 12 is a rear elevational view of the embodiment of FIG. 7;
FIG. 13 is a perspective view of a third embodiment of a television monitor showing my new design;
FIG. 14 is a top plan view of the embodiment of FIG. 13;
FIG. 15 is a left side elevational view of the embodiment of FIG. 13;
FIG. 16 is a front elevational view of the embodiment of FIG. 13;
FIG. 17 is a bottom plan view of the embodiment of FIG. 13;
FIG. 18 is a right side elevational view of the embodiment of FIG. 13; and,
FIG. 19 is a rear elevational view of the embodiment of FIG. 13.

1 Claim, 10 Drawing Sheets

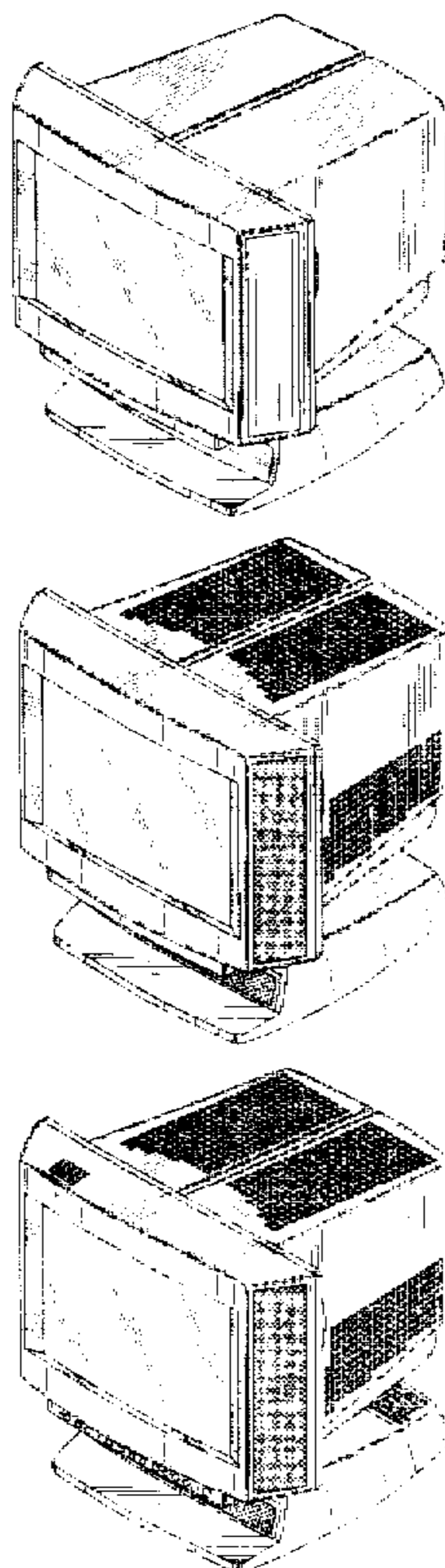


FIG. 1

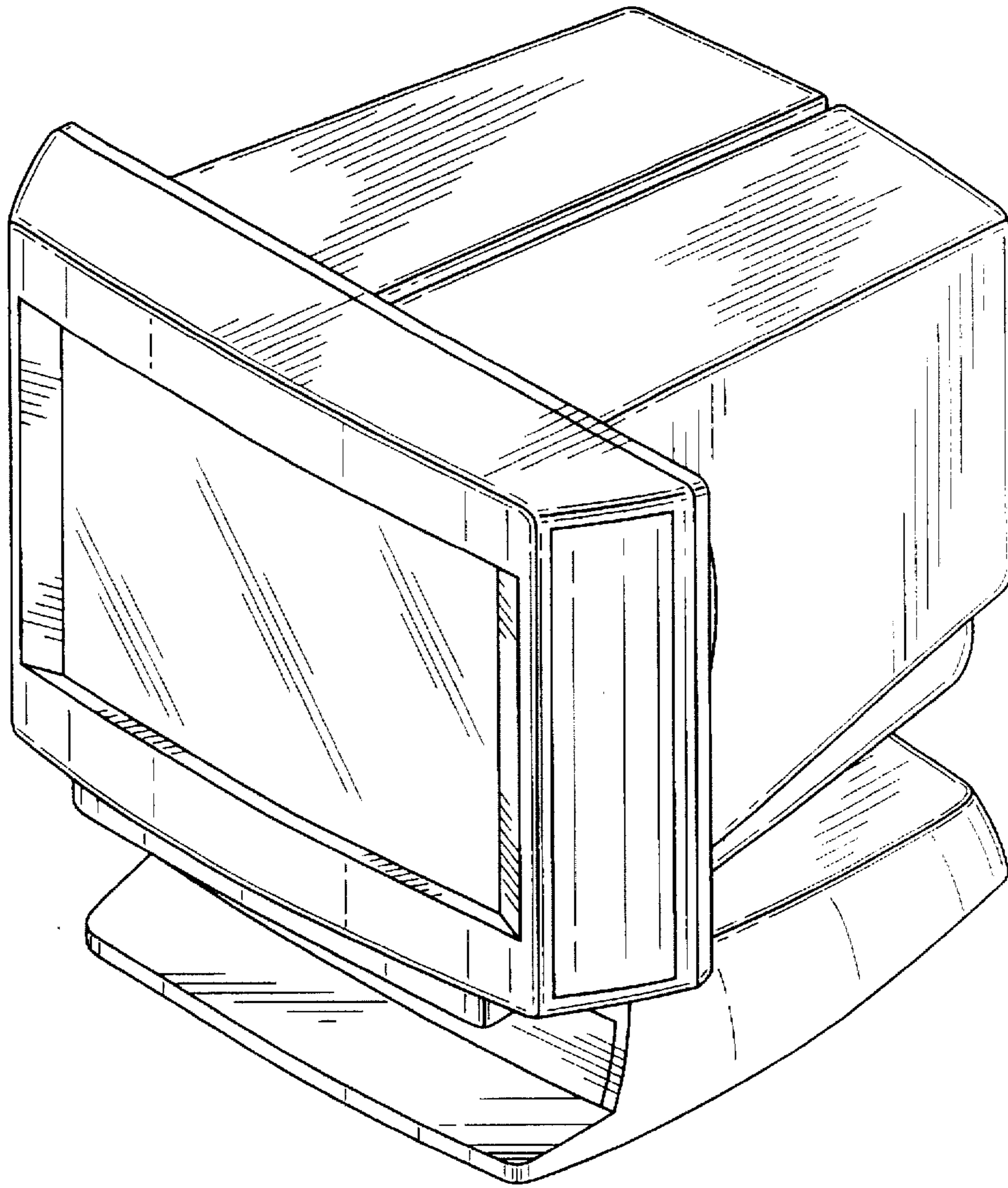


FIG. 2

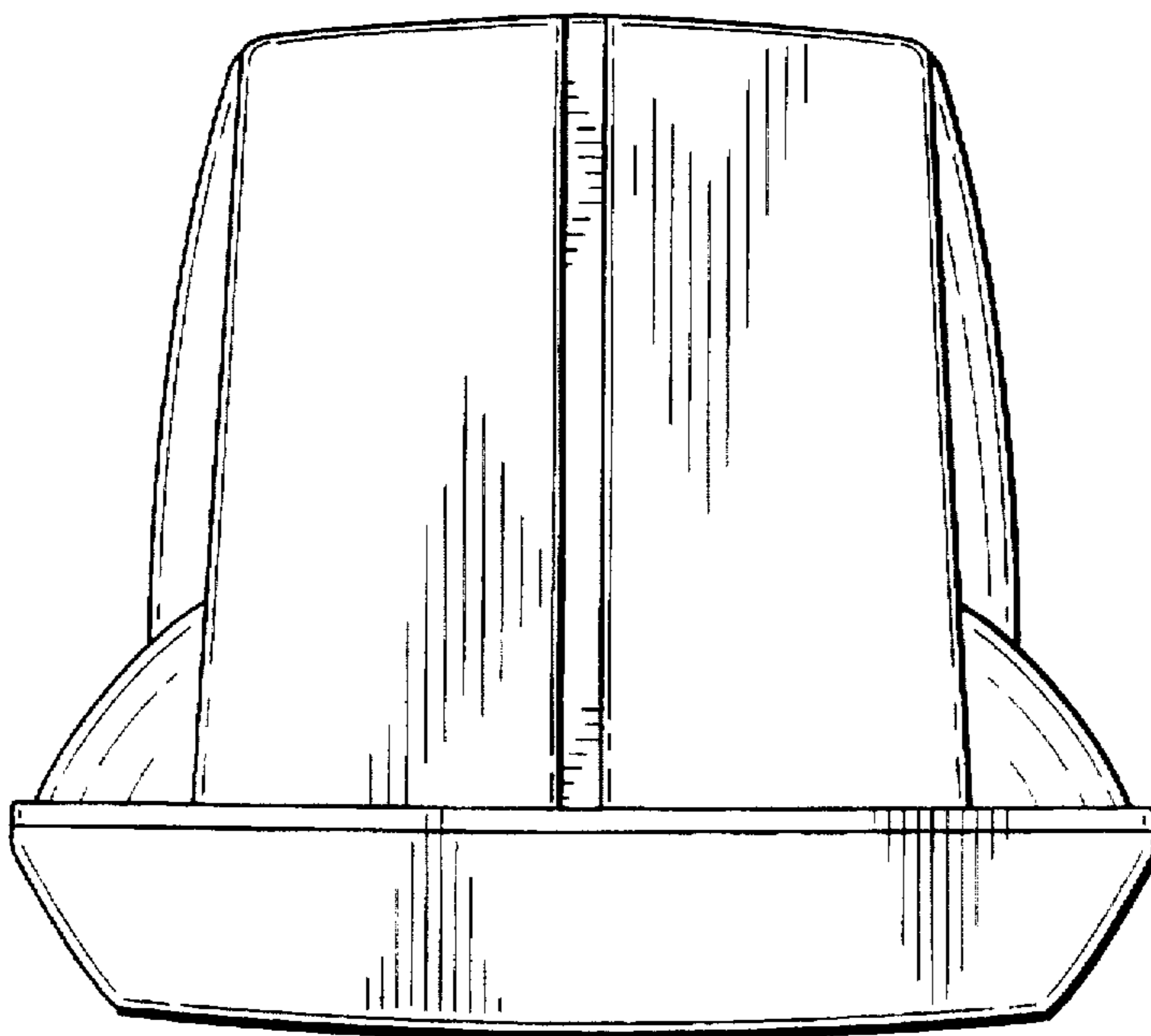


FIG. 3

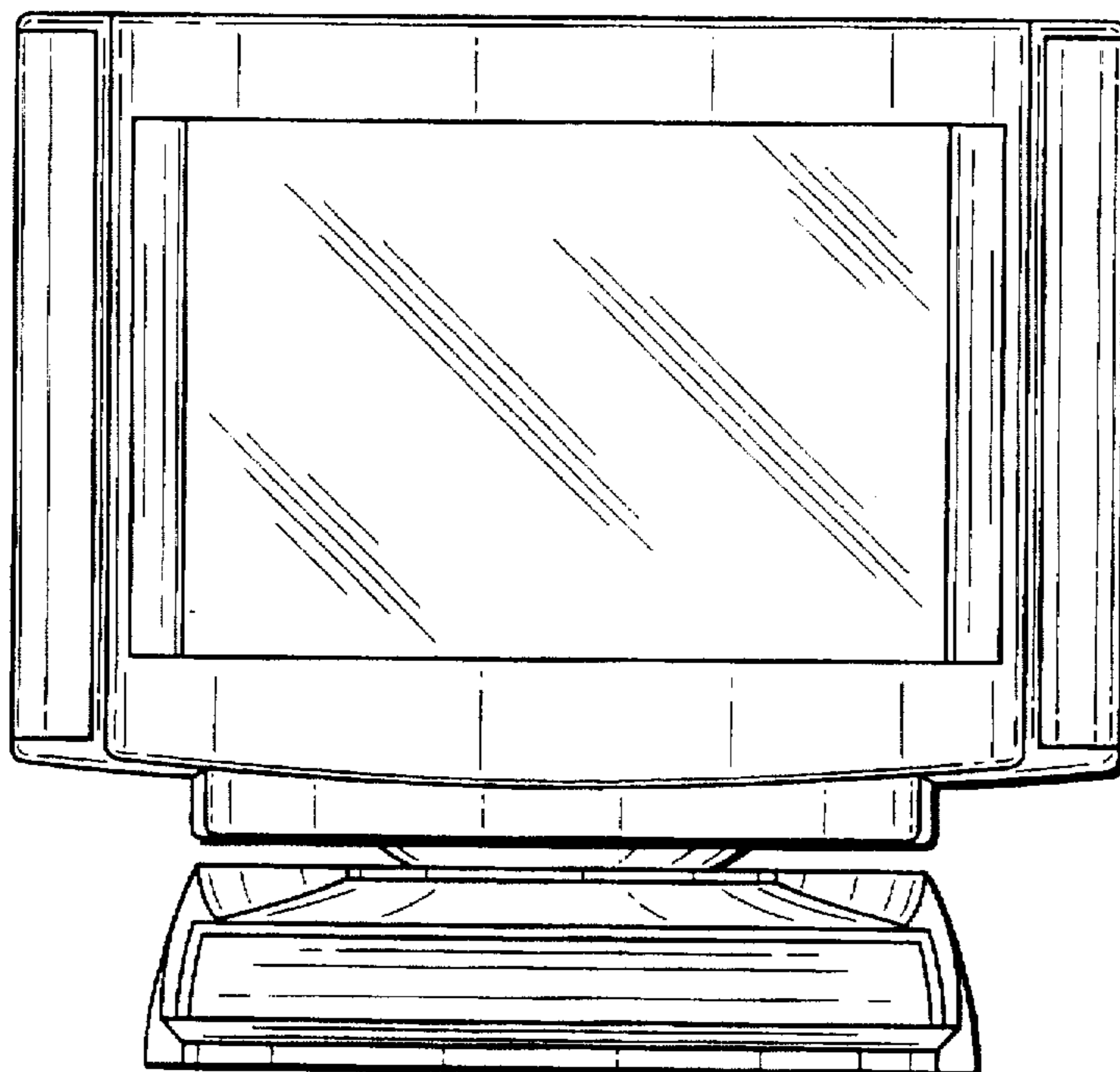


FIG. 4

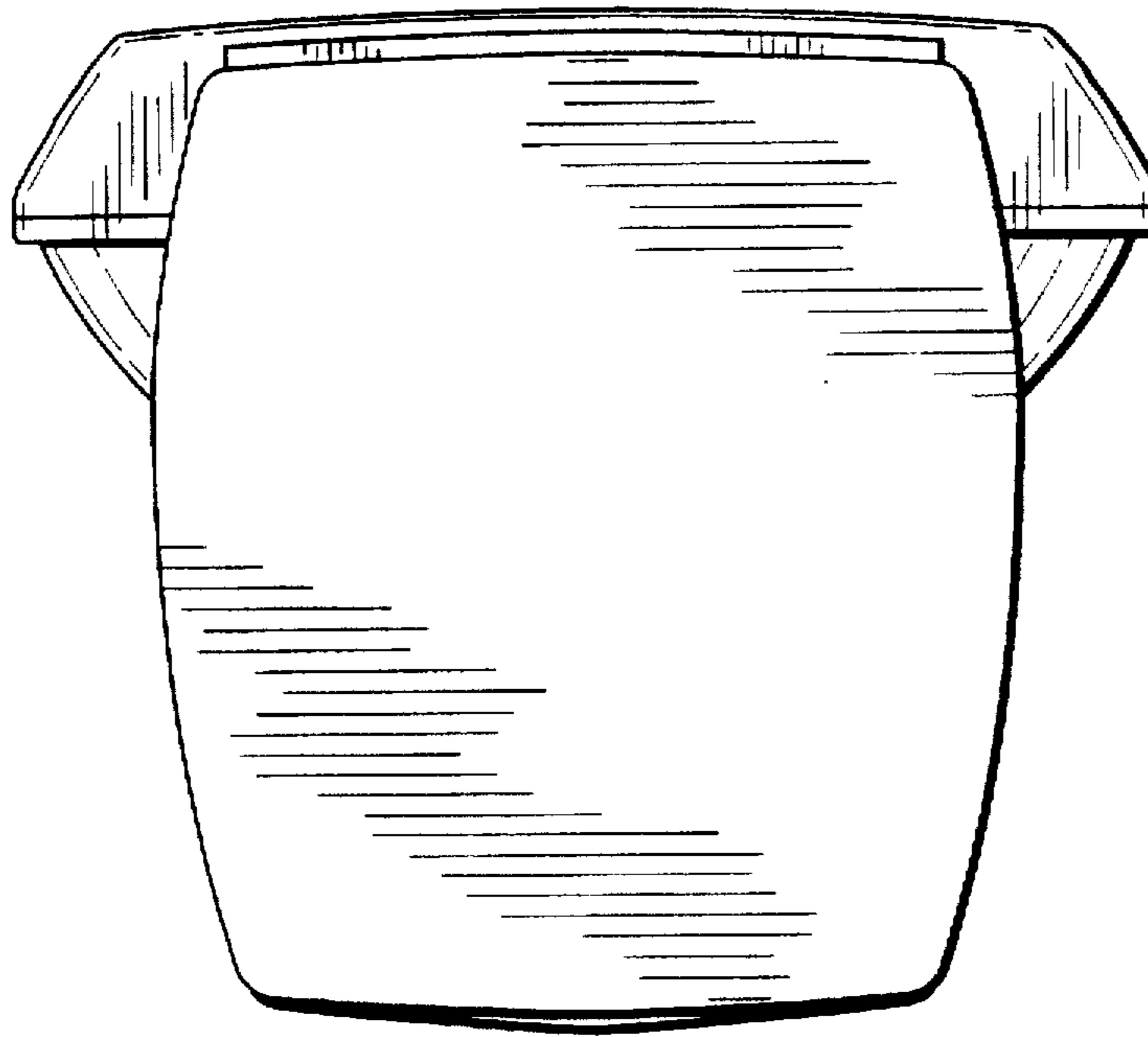


FIG. 5

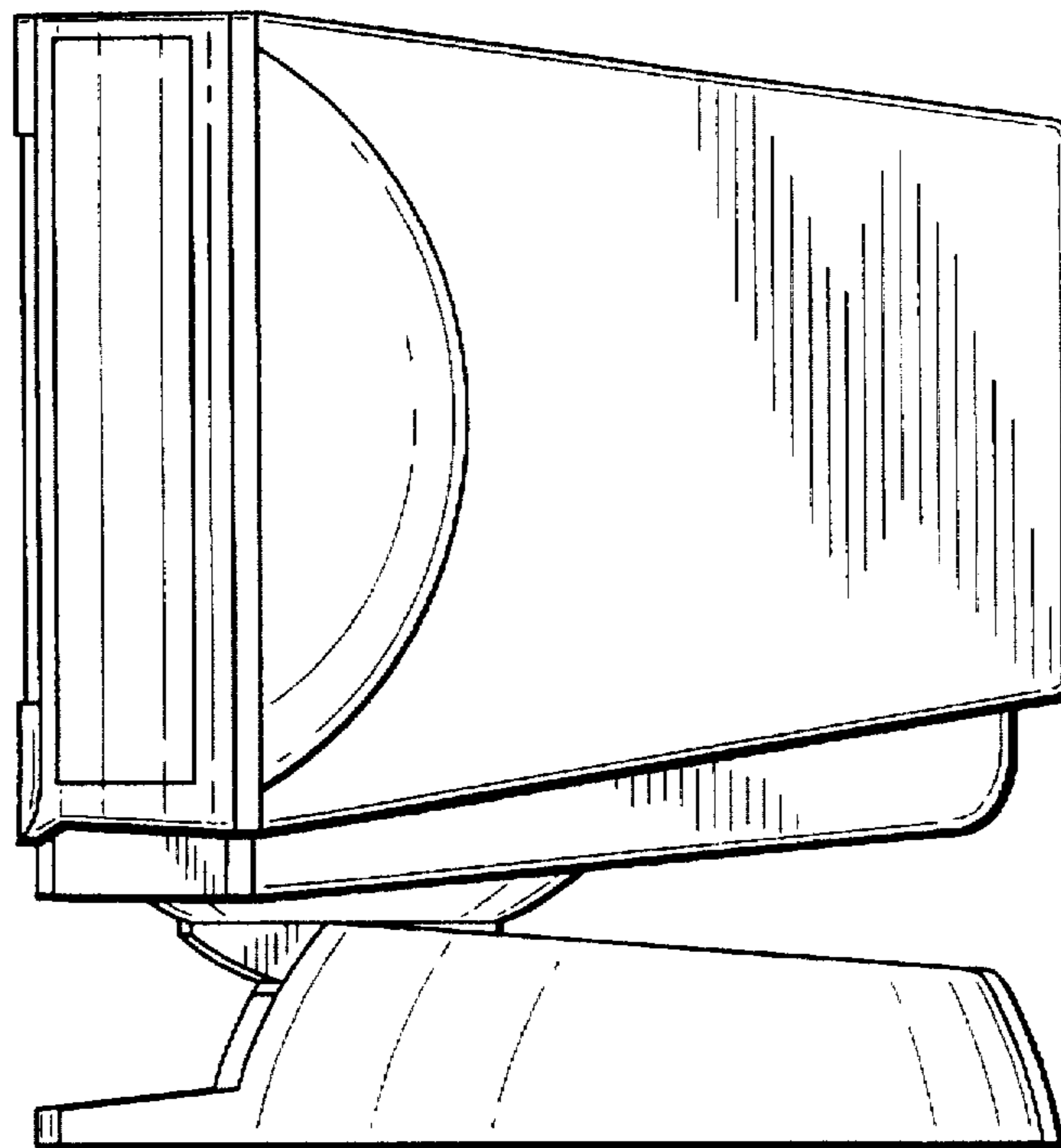


FIG. 6

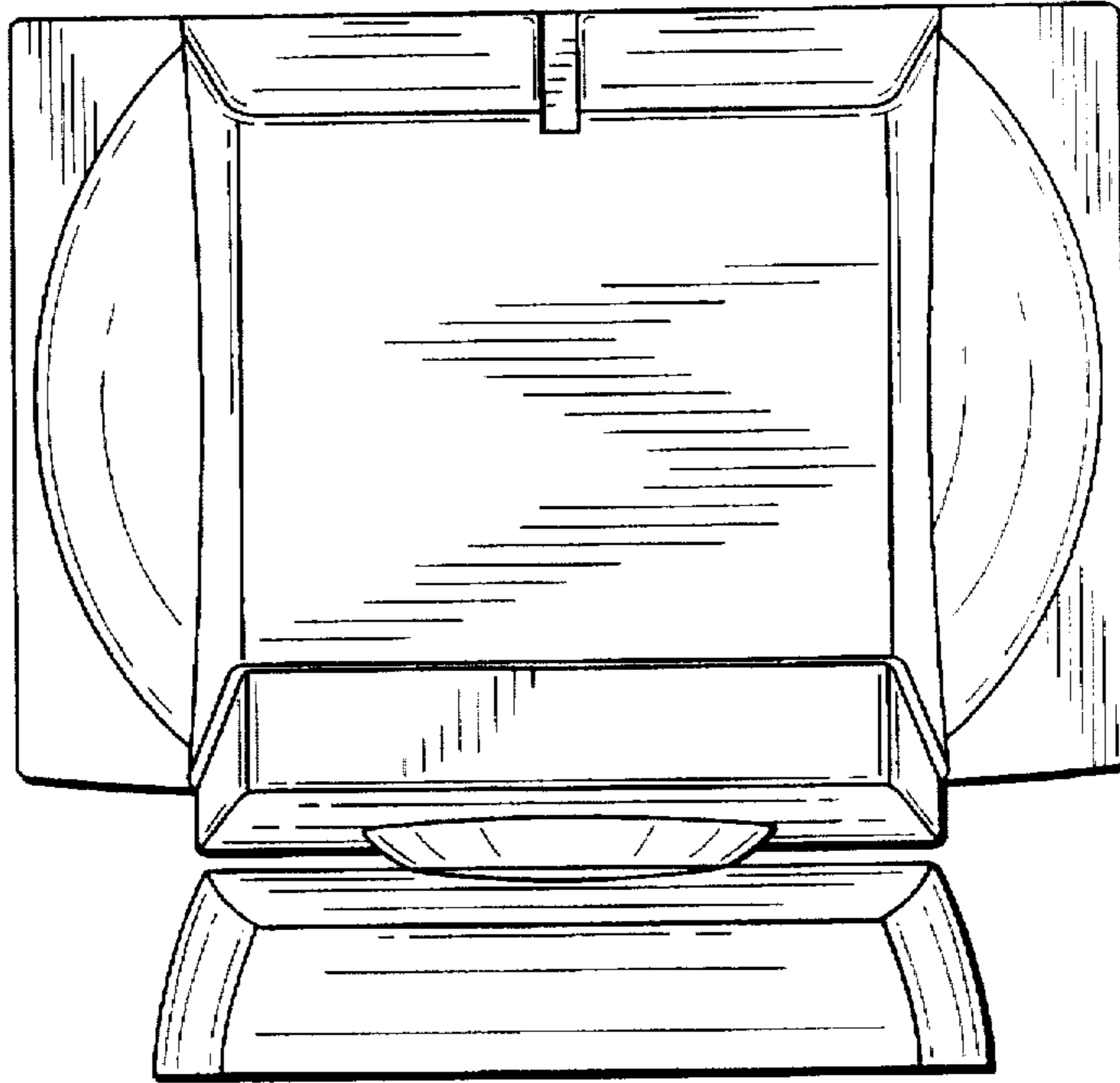


FIG. 7

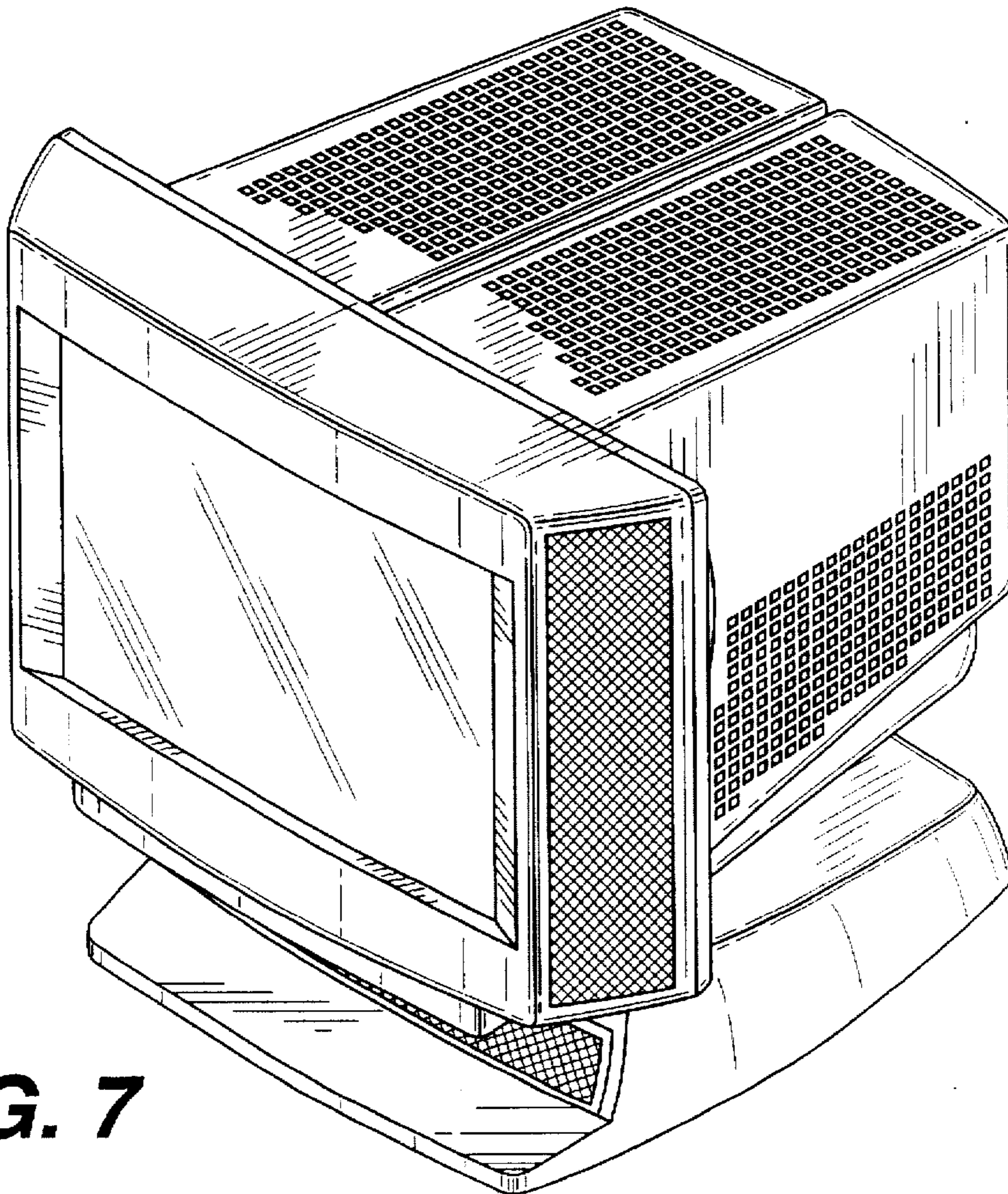


FIG. 8

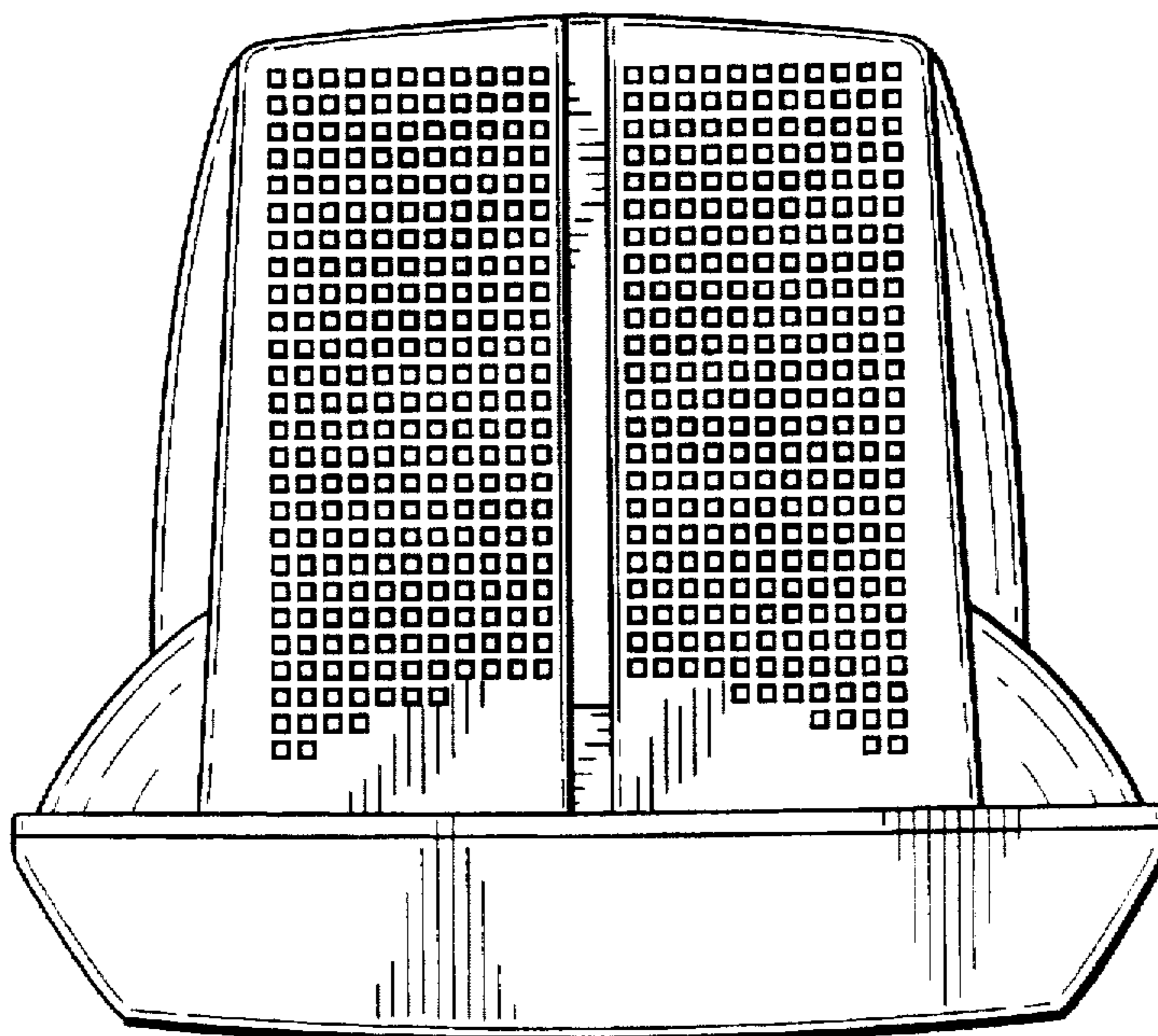


FIG. 9

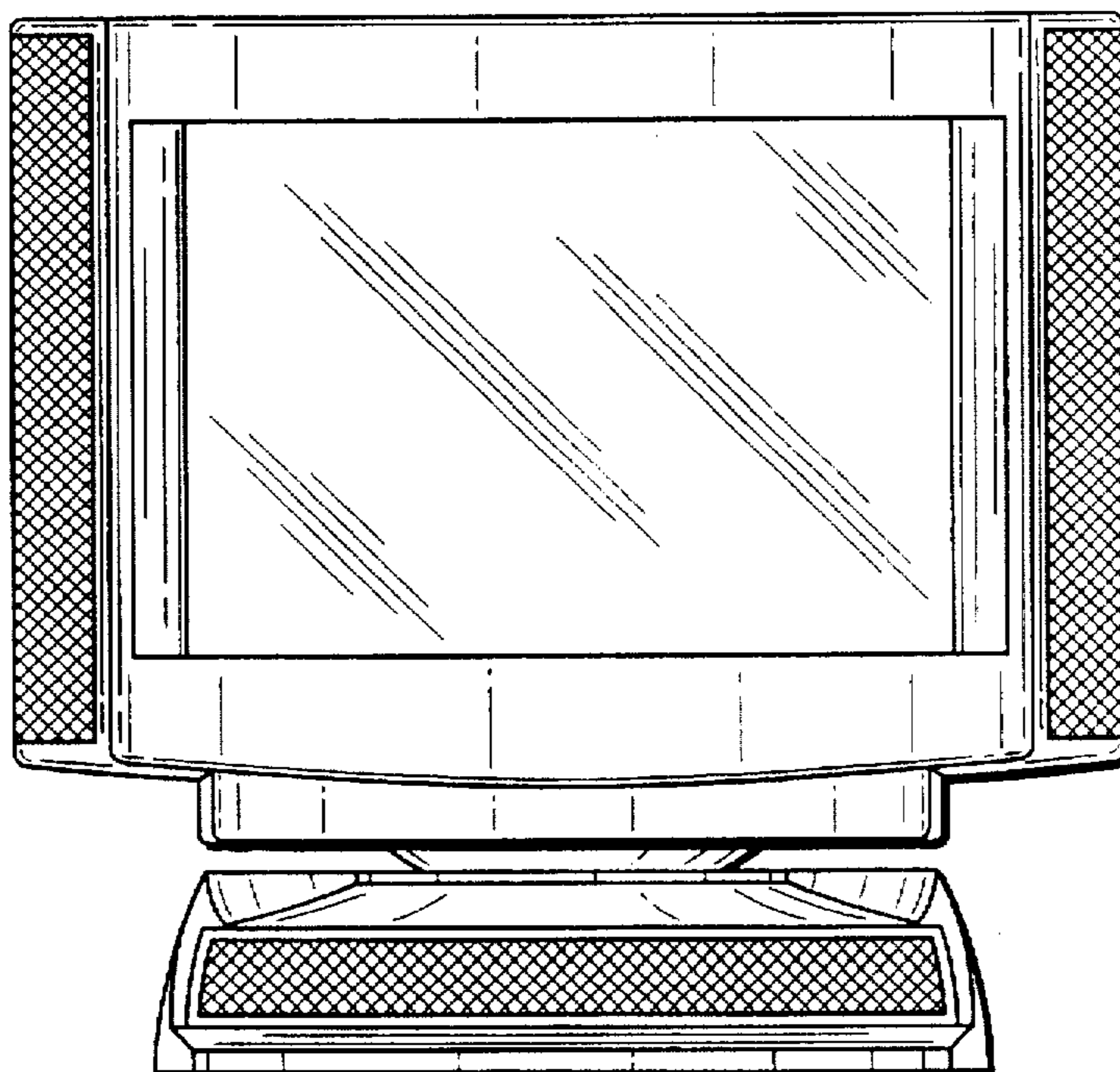


FIG. 10

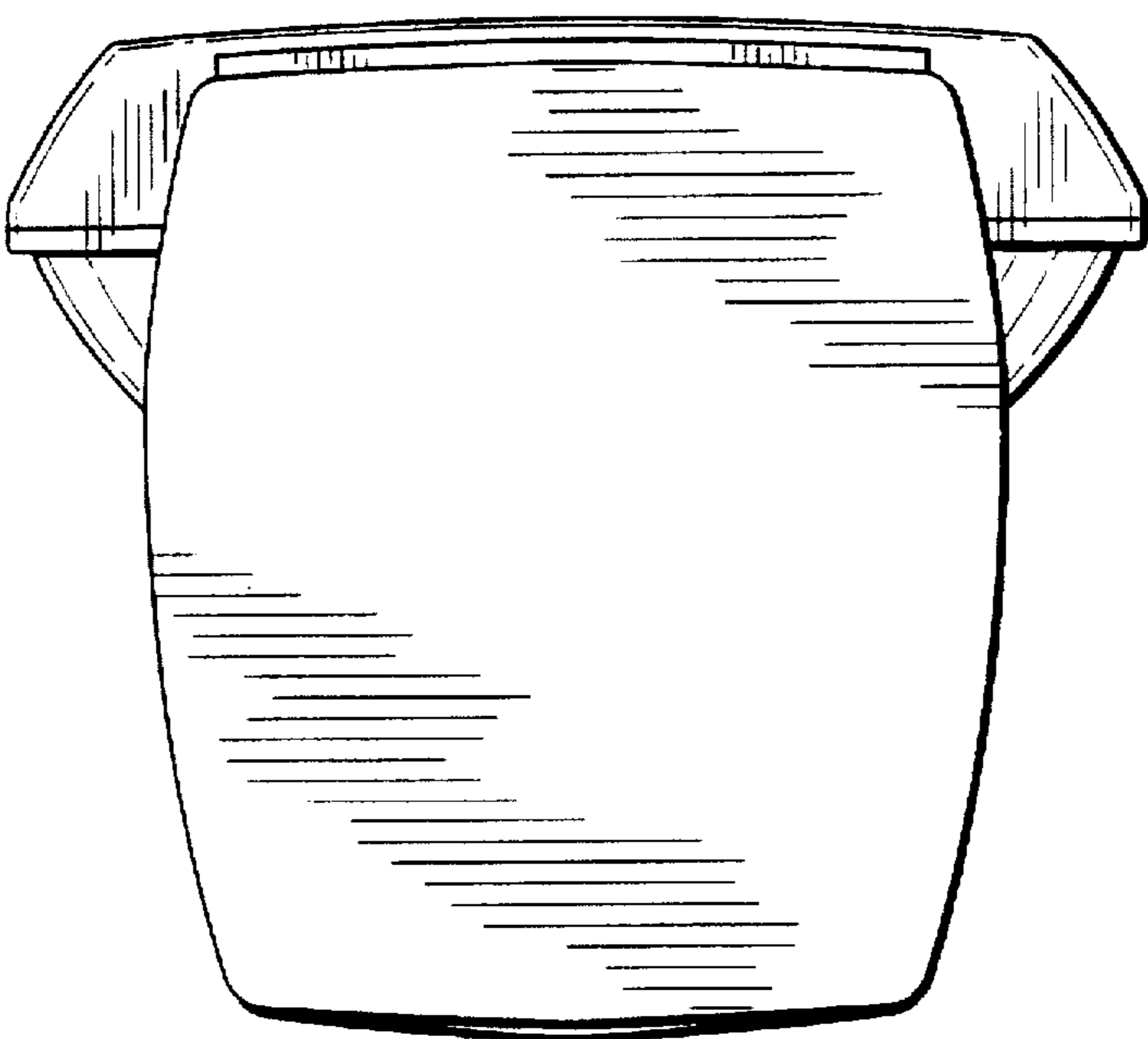


FIG. 11

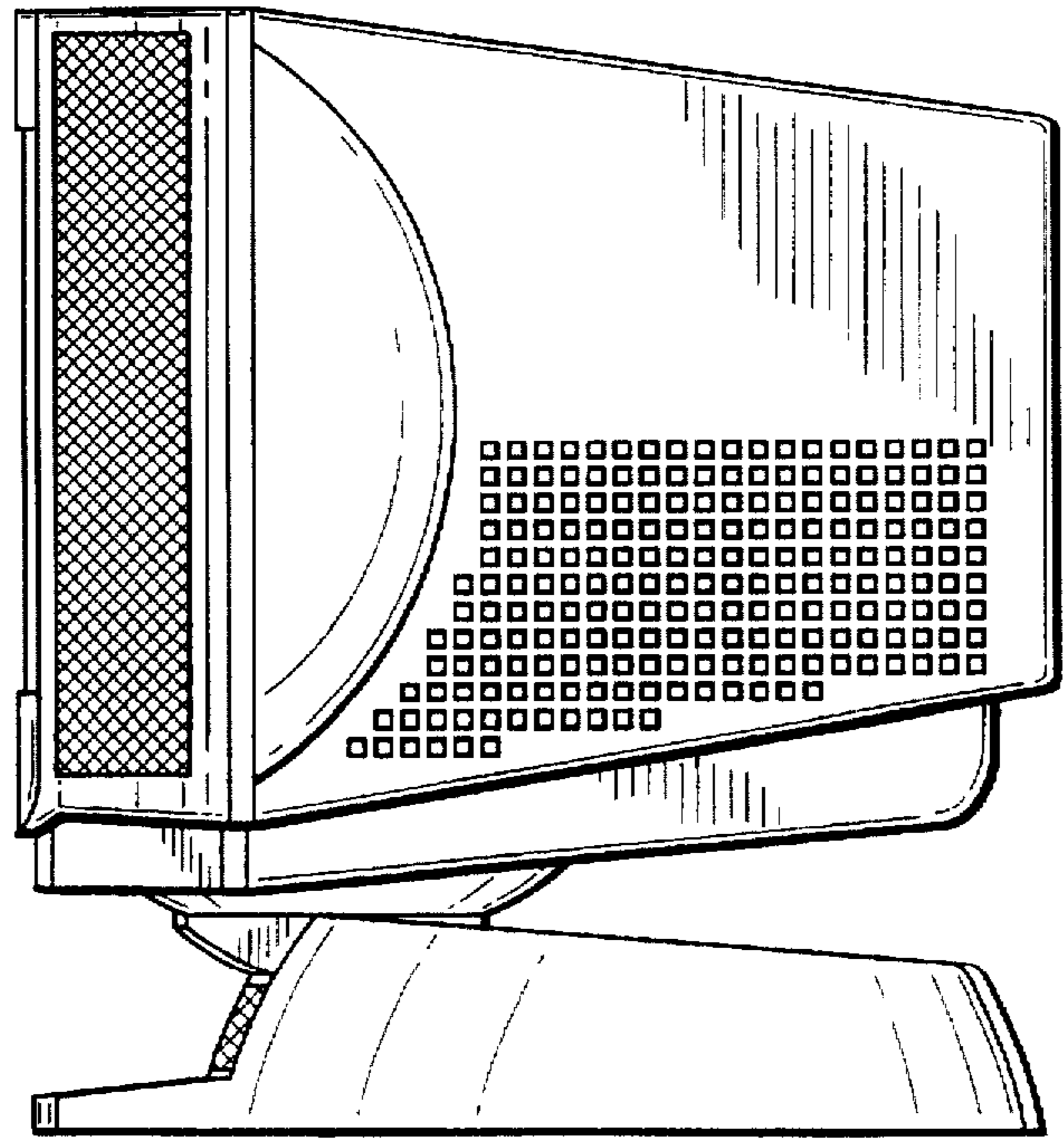


FIG. 12

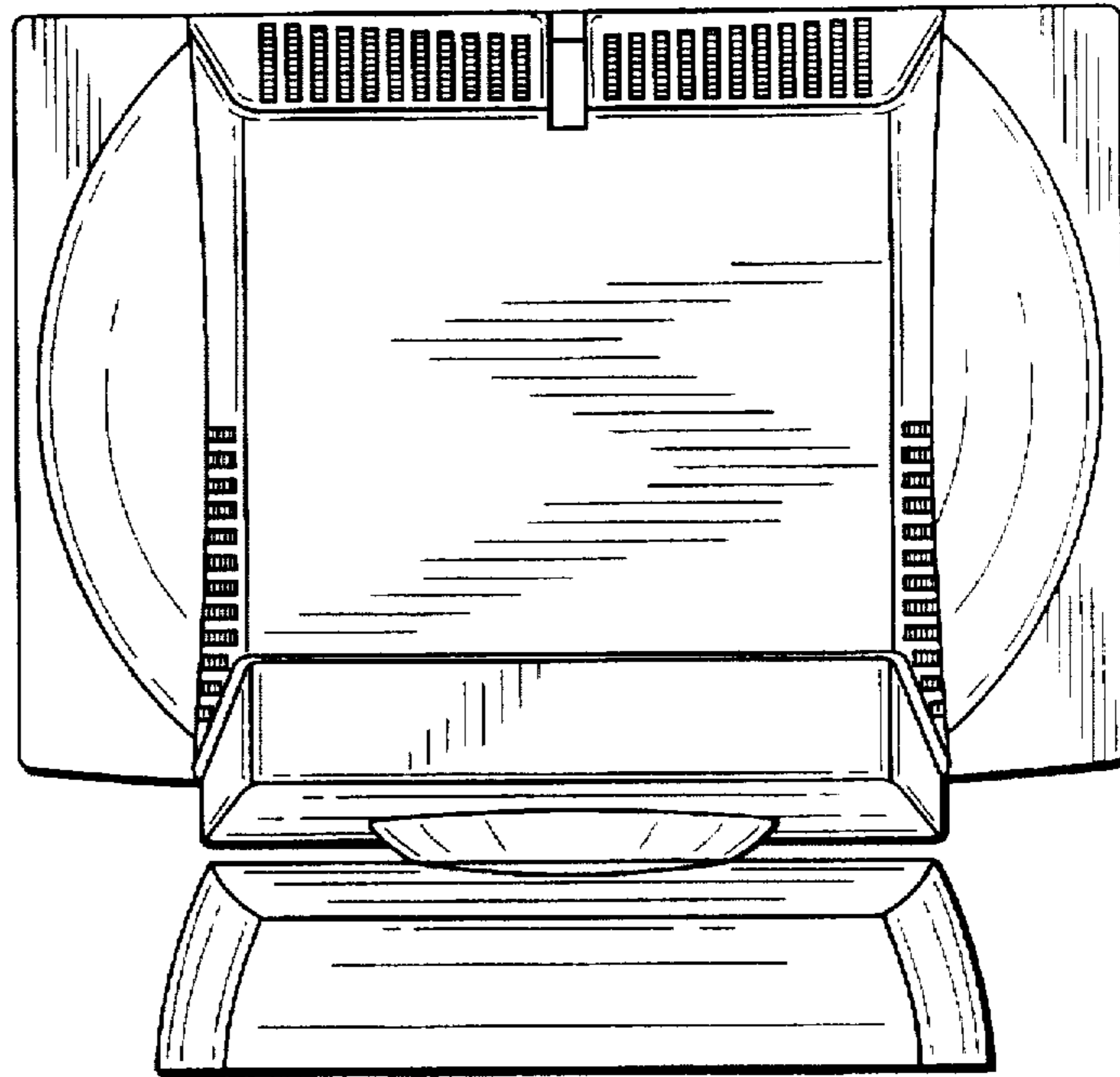


FIG. 13

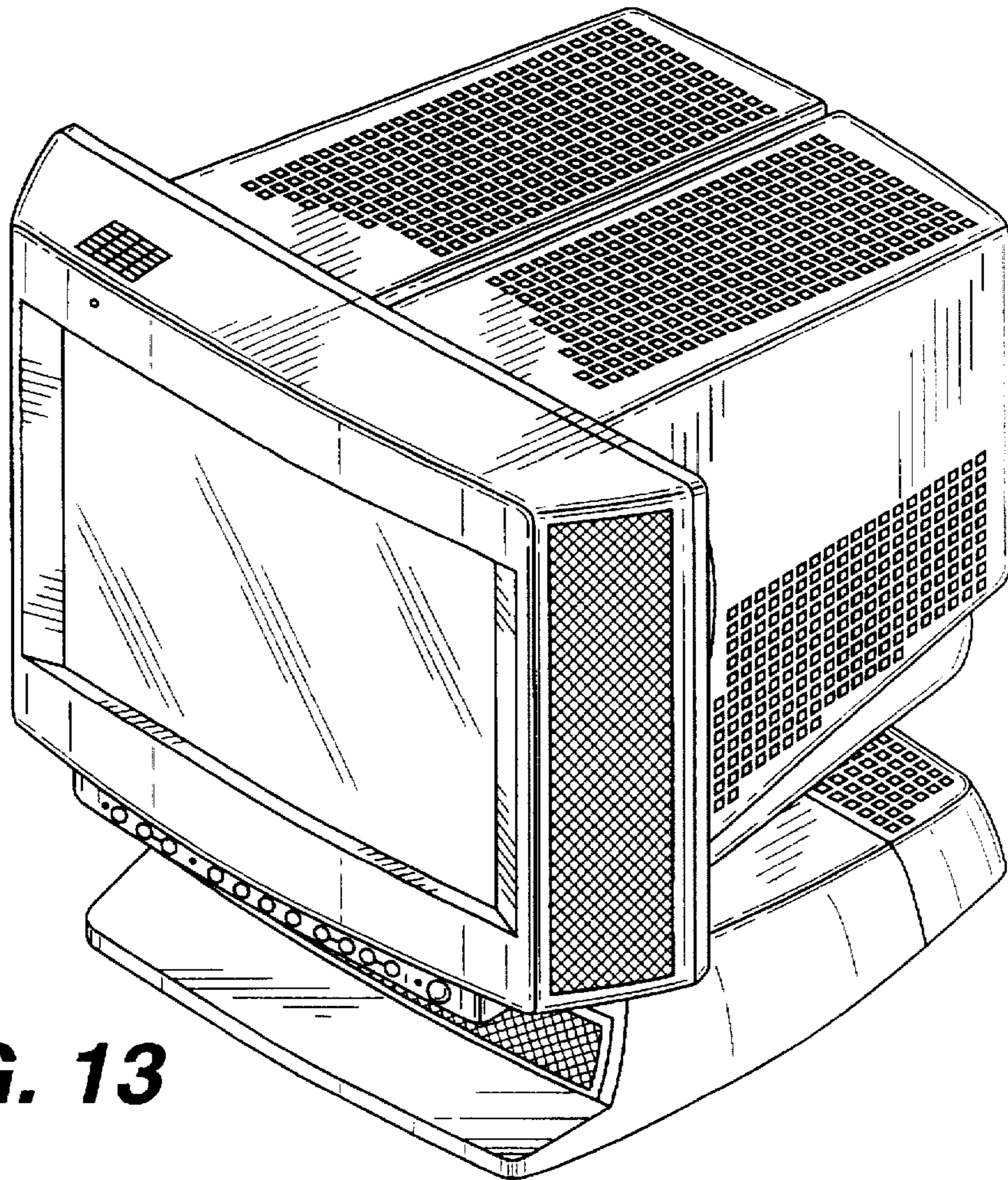


FIG. 14

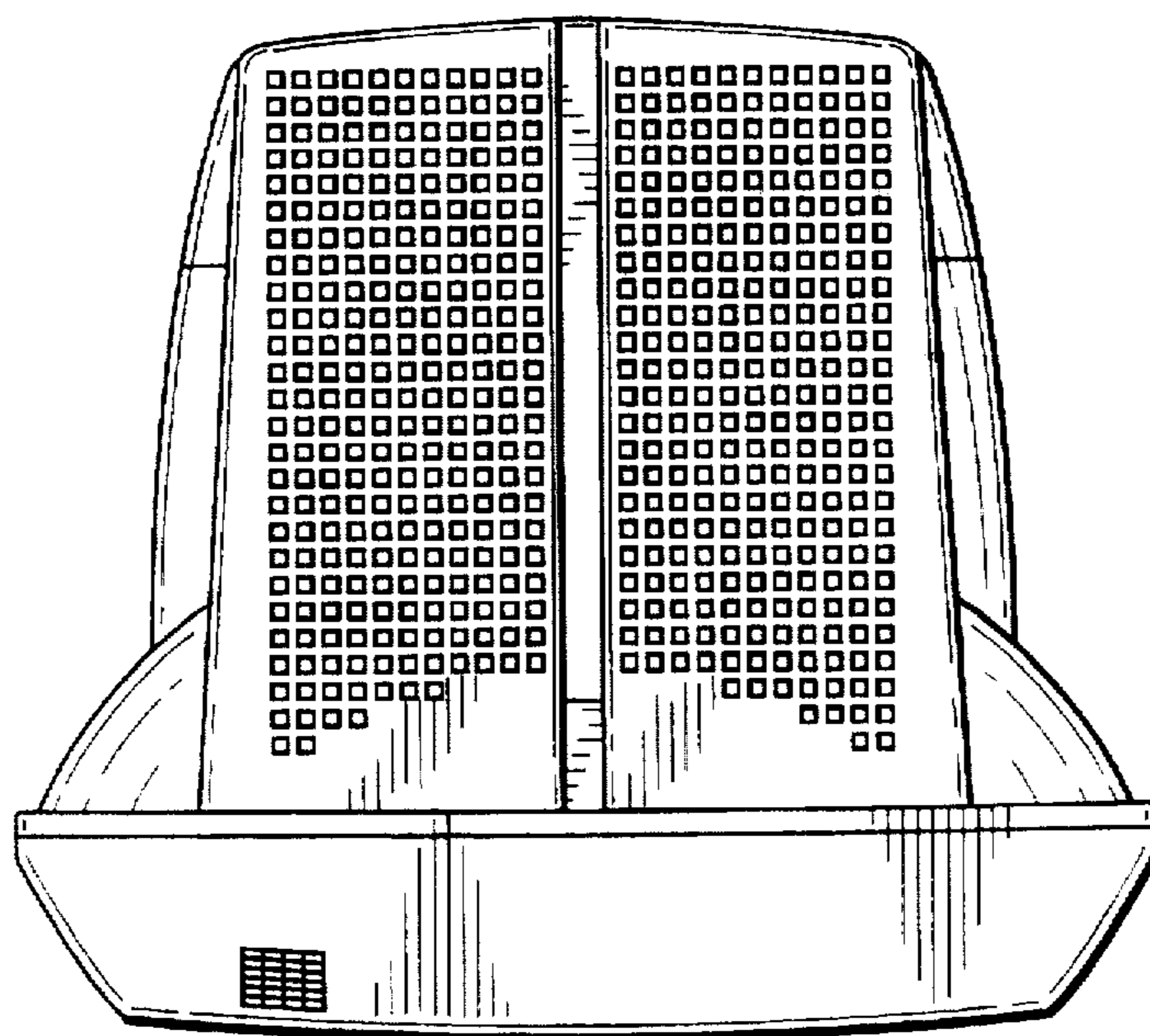


FIG. 15

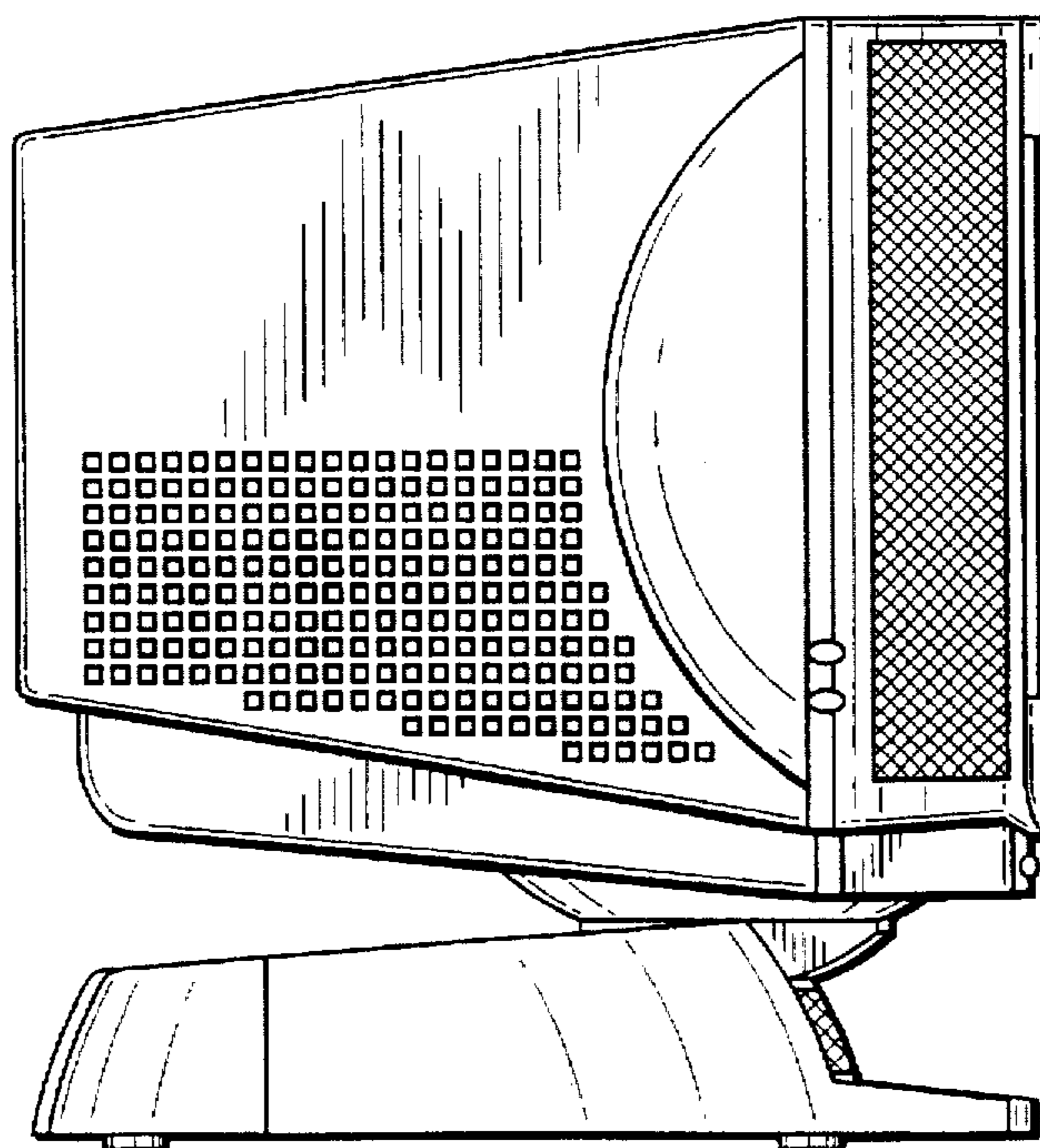


FIG. 16

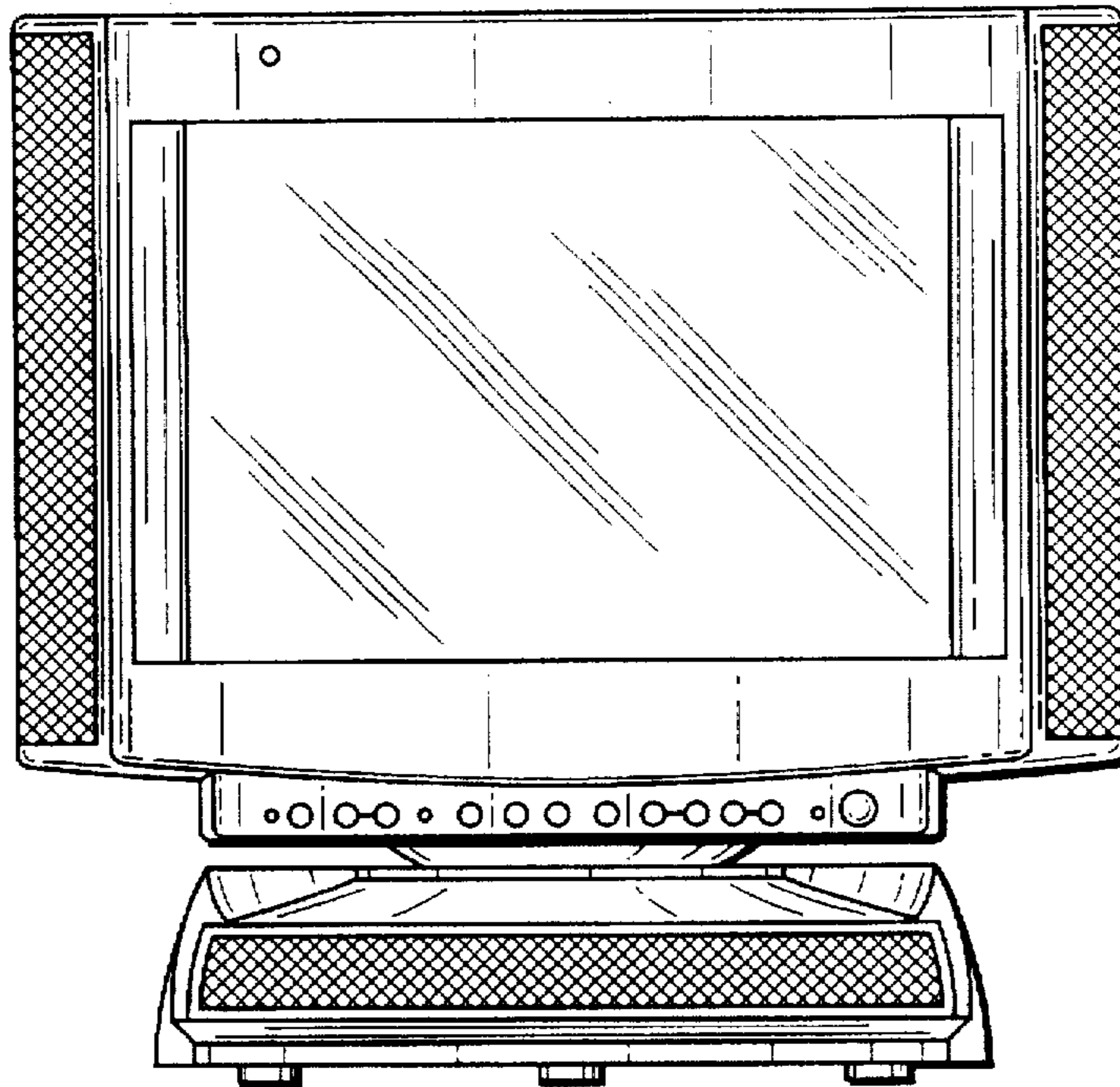


FIG. 17

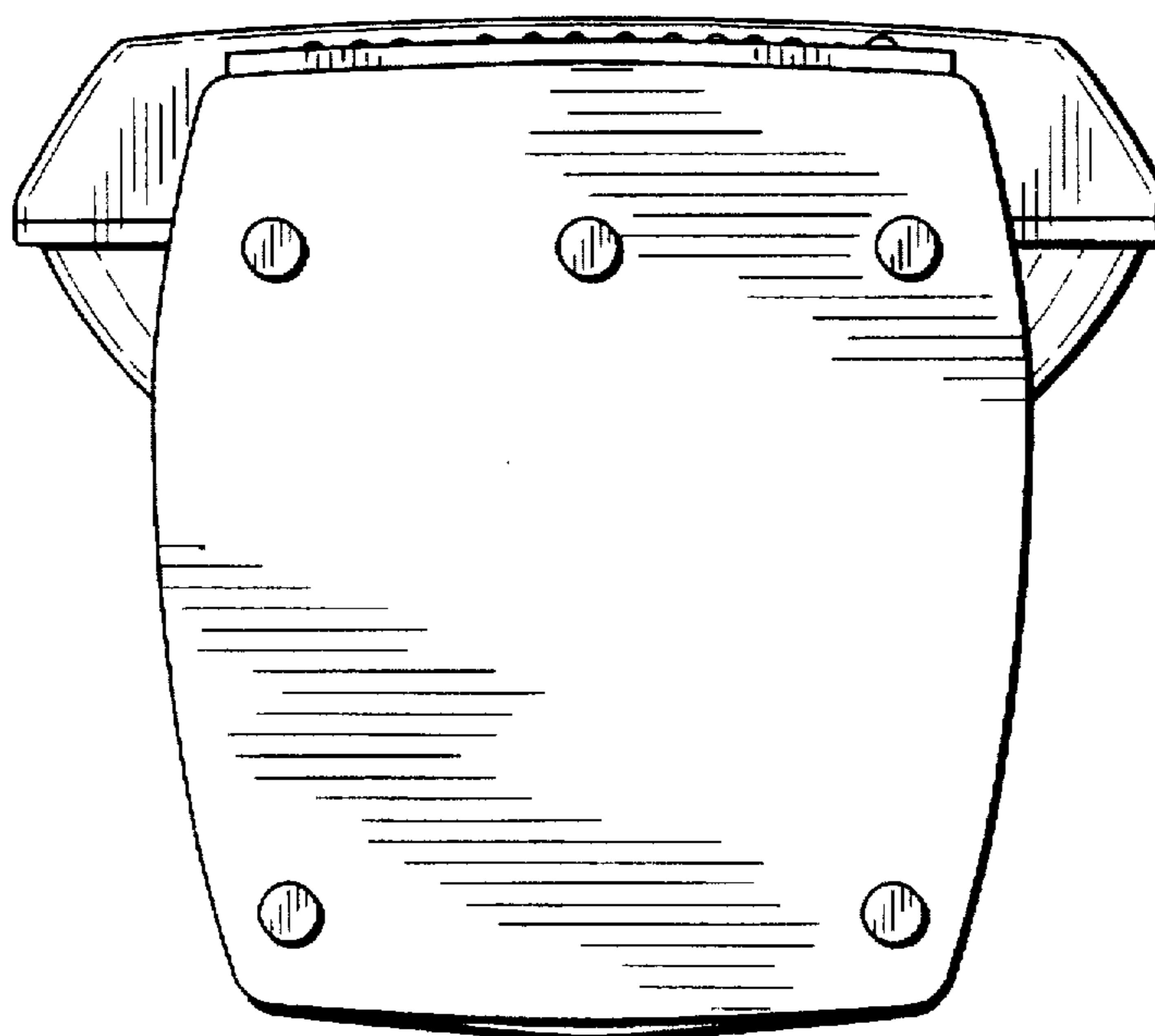


FIG. 18

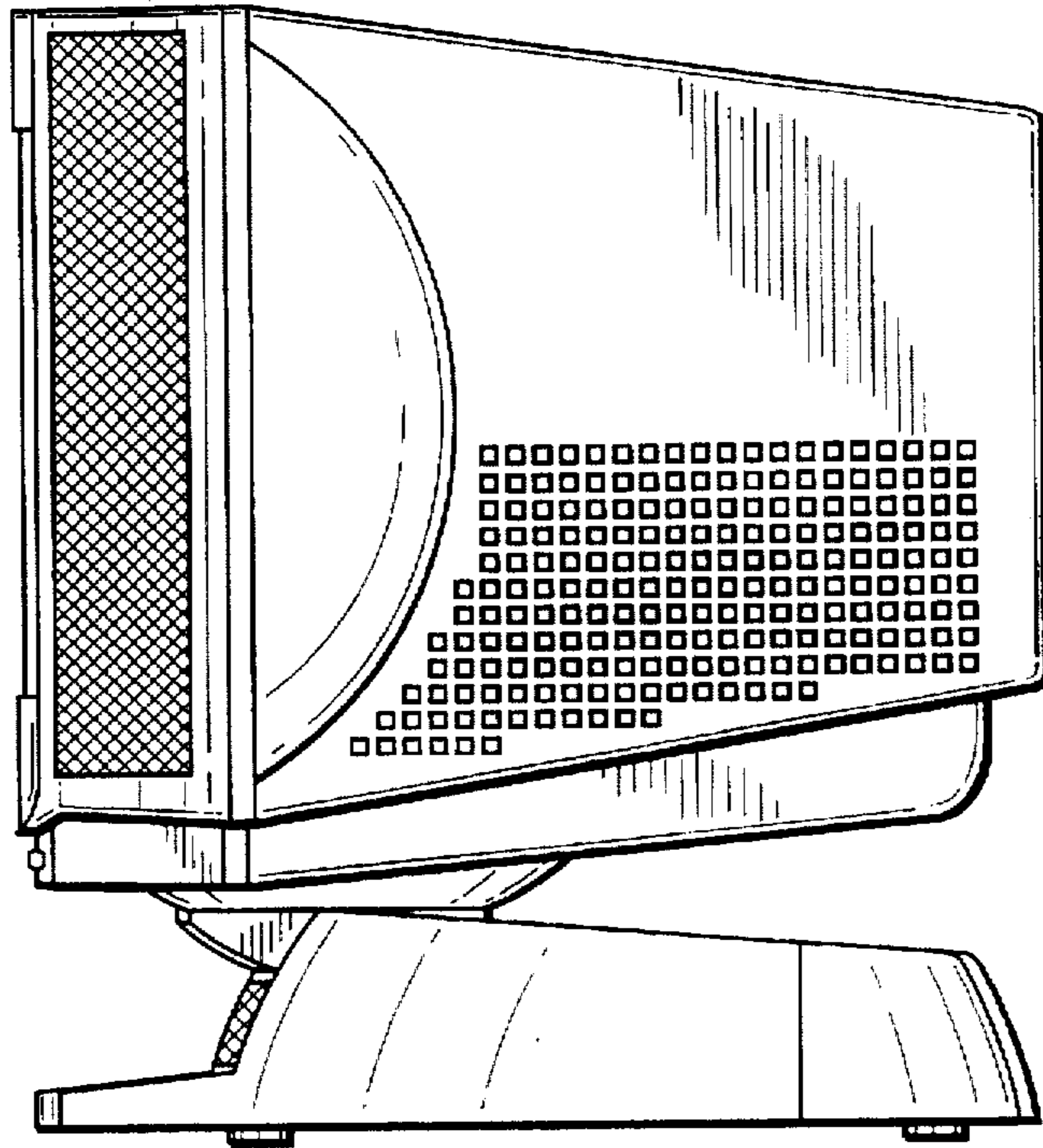


FIG. 19

