



US00D393455S

United States Patent [19]

D'Agaro et al.

[11] Patent Number: Des. 393,455

[45] Date of Patent: **Apr. 14, 1998

[54] **COMBINED COMPUTER ORGANIZER AND READING DESK**

[75] Inventors: **Amos D'Agaro**, Udine; **Adriano Marino**, Novara; **Andrea Venturini**, Udine, all of Italy

[73] Assignee: **Exponent Italia S.r.l.**, Udine, Italy

[**] Term: **14 Years**

[21] Appl. No.: **54,435**

[22] Filed: **May 14, 1996**

[30] **Foreign Application Priority Data**

Nov. 23, 1995 [IT] Italy PN9500020

[51] **LOC (6) Cl.** **14-02**

[52] **U.S. Cl.** **D14/114**

[58] **Field of Search** D14/114, 239; D6/512-13, 406, 495, 419, 449, 451, 480, 338, 420; D19/75, 86, 90-1, 92; 40/341-2, 347-57

[56] **References Cited**

U.S. PATENT DOCUMENTS

D. 270,357 8/1983 Dillon et al. D14/114 X

- D. 303,959 10/1989 Suyama et al. D14/114
- D. 316,115 4/1991 Davis et al. D14/114 X
- D. 320,196 9/1991 Carter et al. D14/114 X
- D. 366,164 1/1996 McKee D6/406
- D. 367,475 2/1996 Koch D14/114

Primary Examiner—M. H. Tung
Attorney, Agent, or Firm—Wenderoth, Lind & Ponac

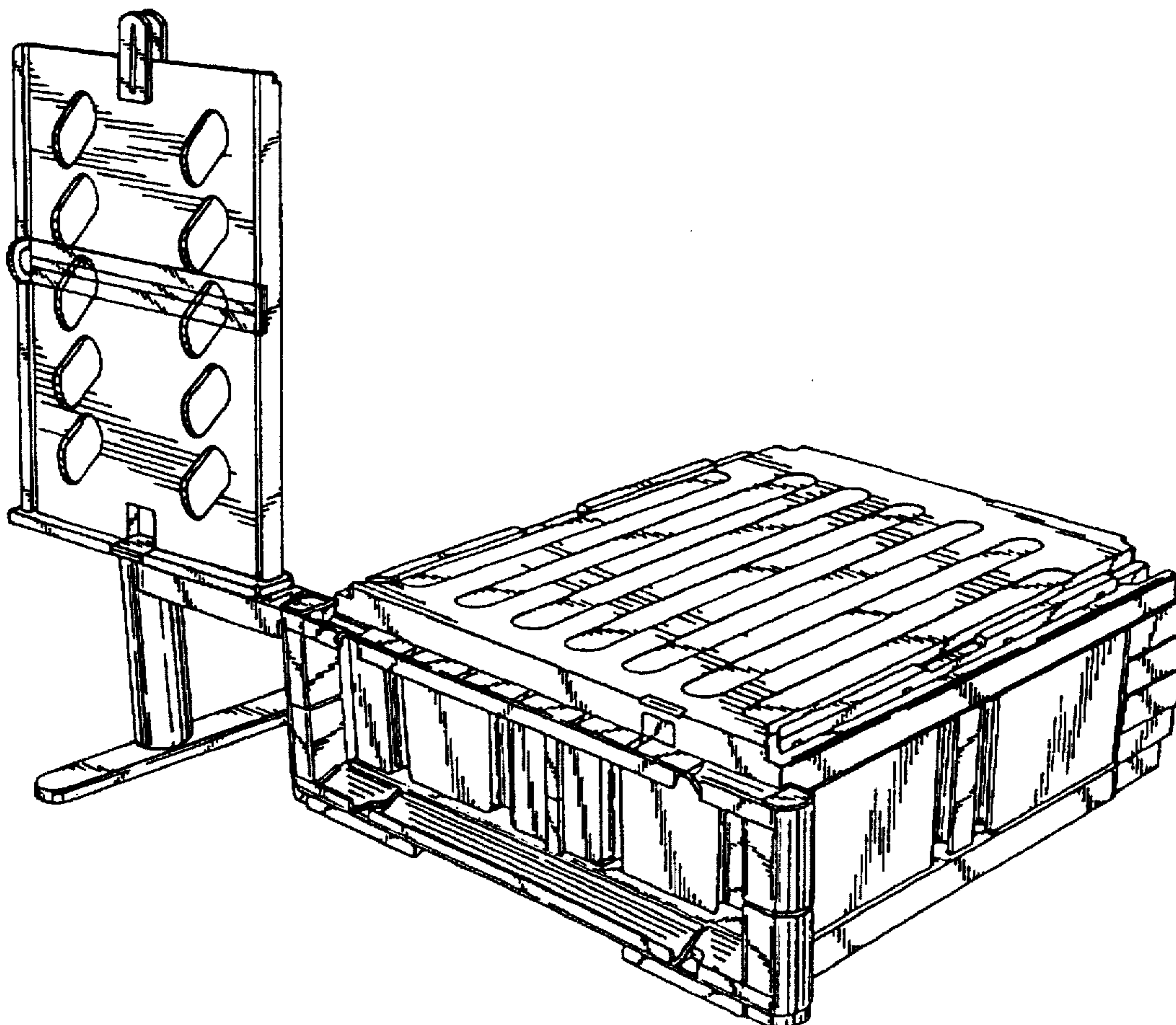
[57] **CLAIM**

The ornamental design for a combined computer organizer and reading desk, as shown and described.

DESCRIPTION

FIG. 1 is a front perspective view of a combined computer organizer and reading desk showing our new design;
 FIG. 2 is a left side perspective view thereof;
 FIG. 3 is a right side perspective view thereof;
 FIG. 4 is a rear perspective view thereof;
 FIG. 5 is a top perspective view thereof;
 FIG. 6 is a bottom perspective view thereof; and,
 FIG. 7 is a perspective view taken from the front right side of the computer-based organizer with reading desk.

1 Claim, 7 Drawing Sheets



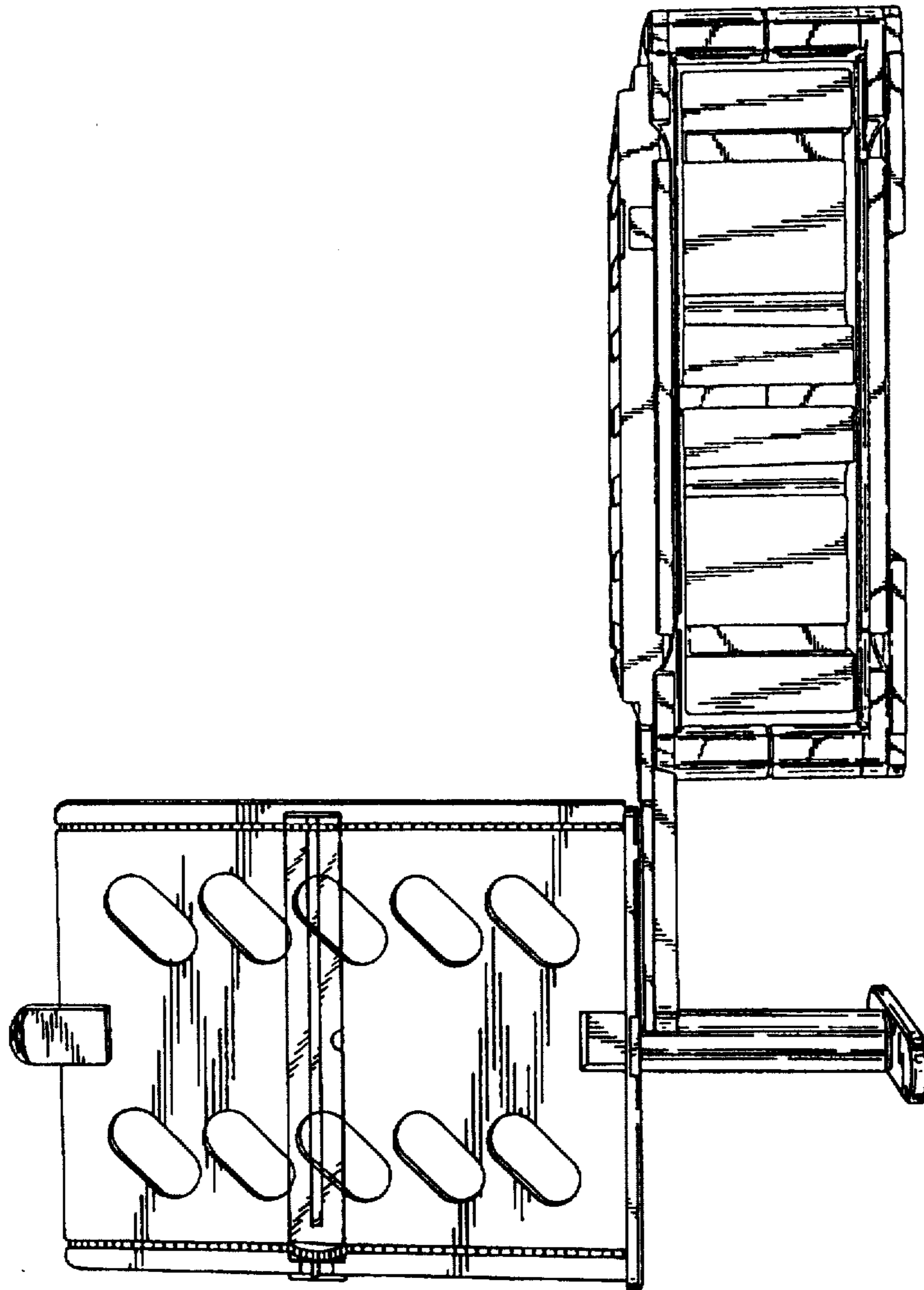


FIG. 1

FIG. 2

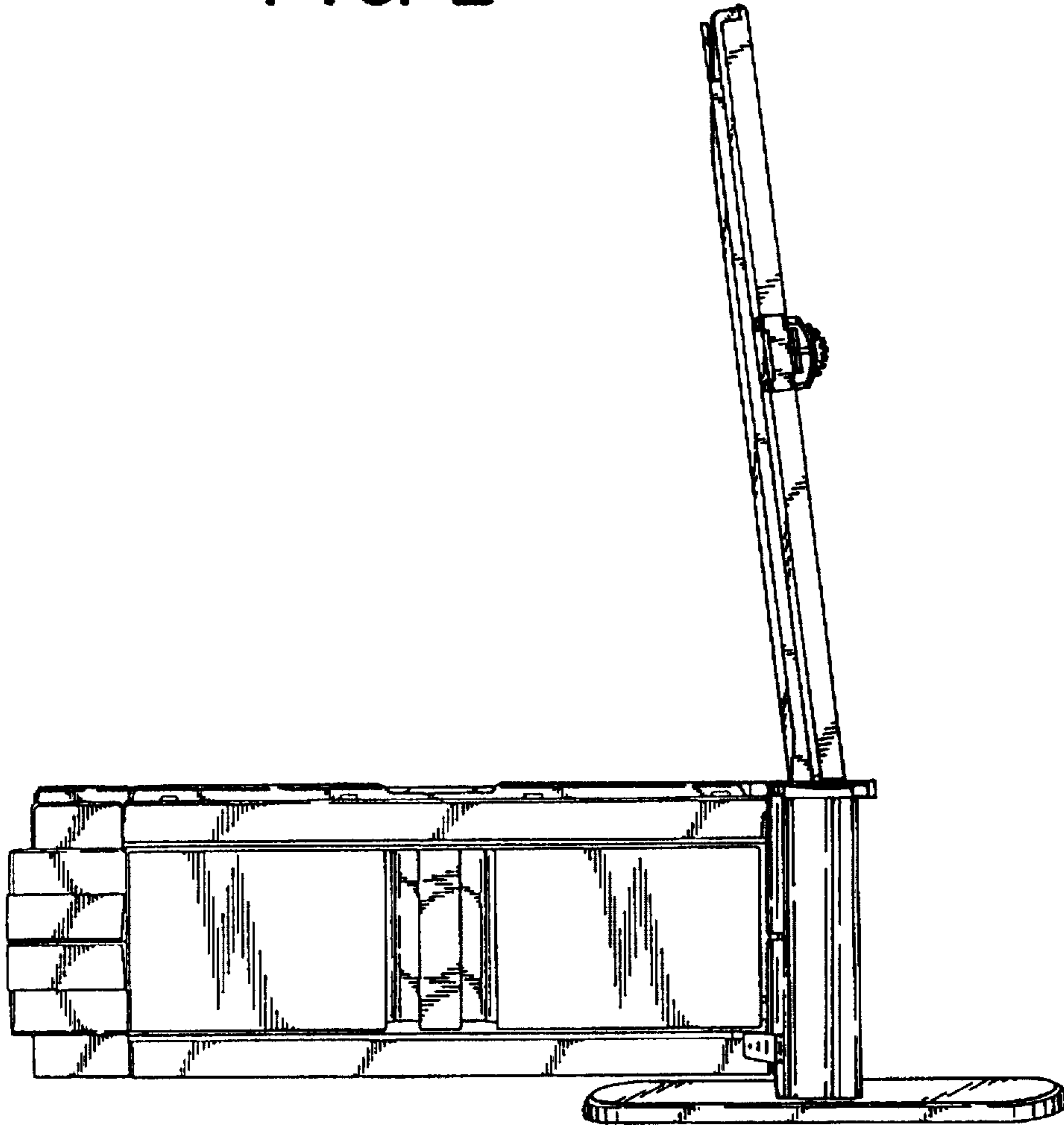
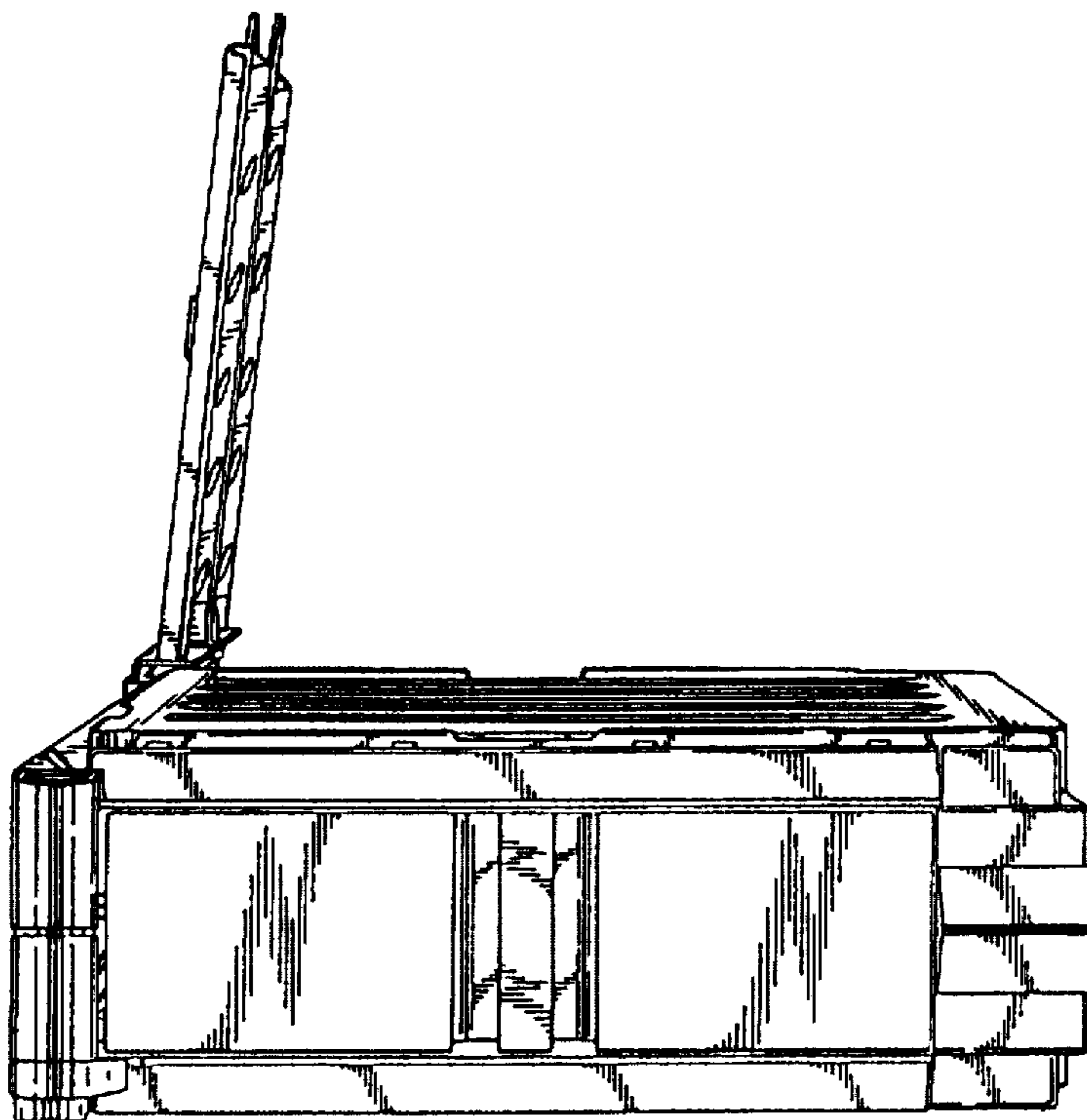


FIG. 3



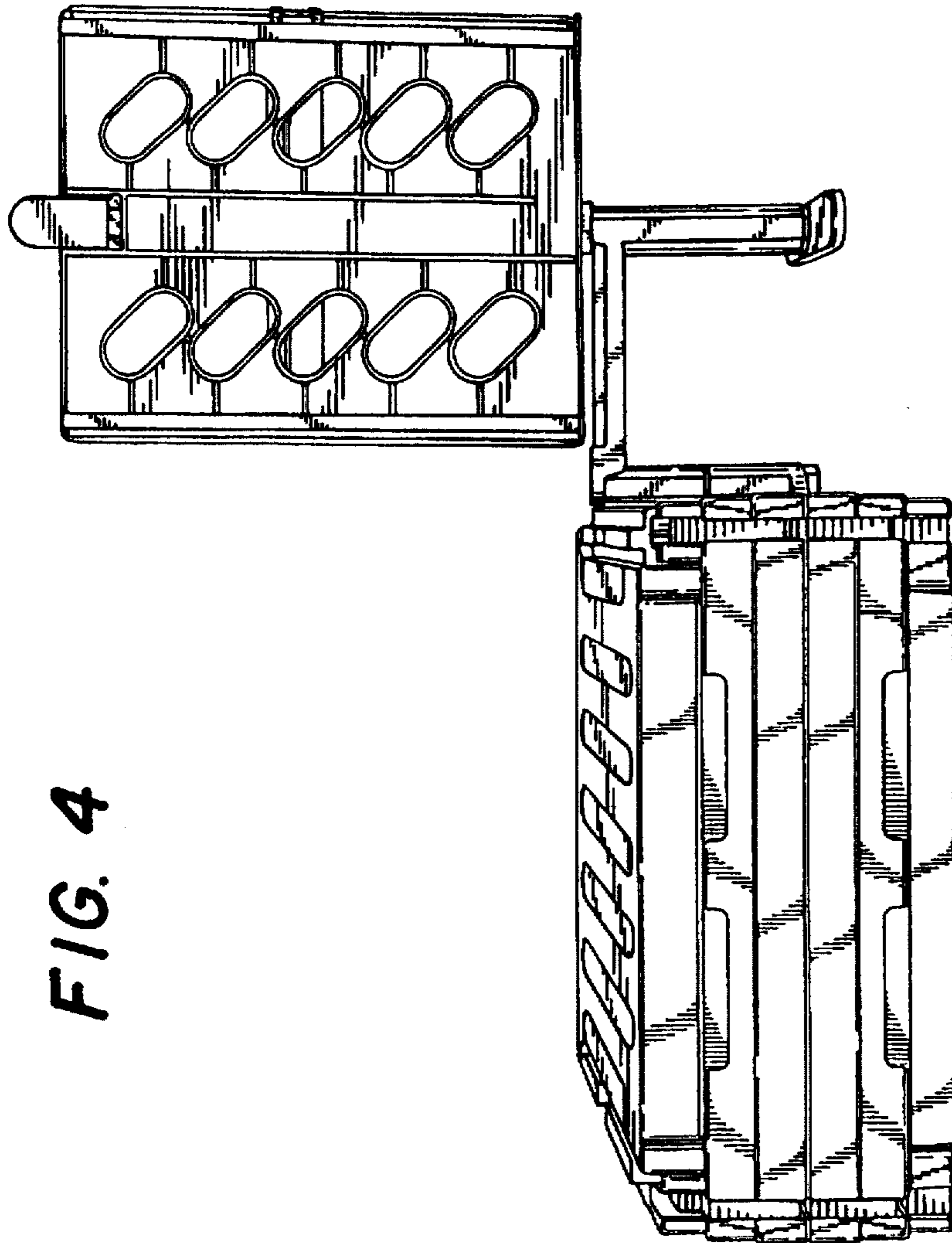


FIG. 4

FIG. 5

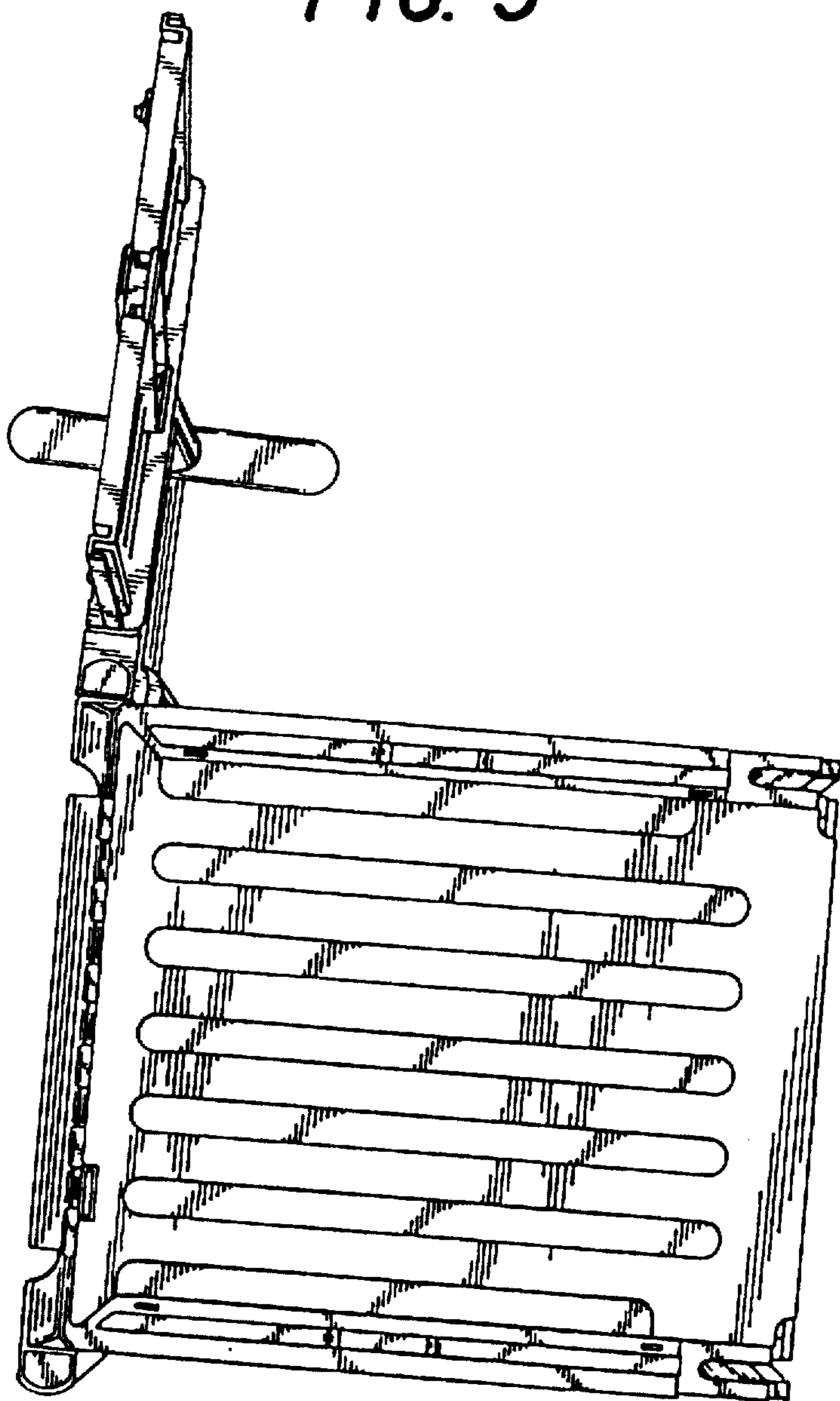
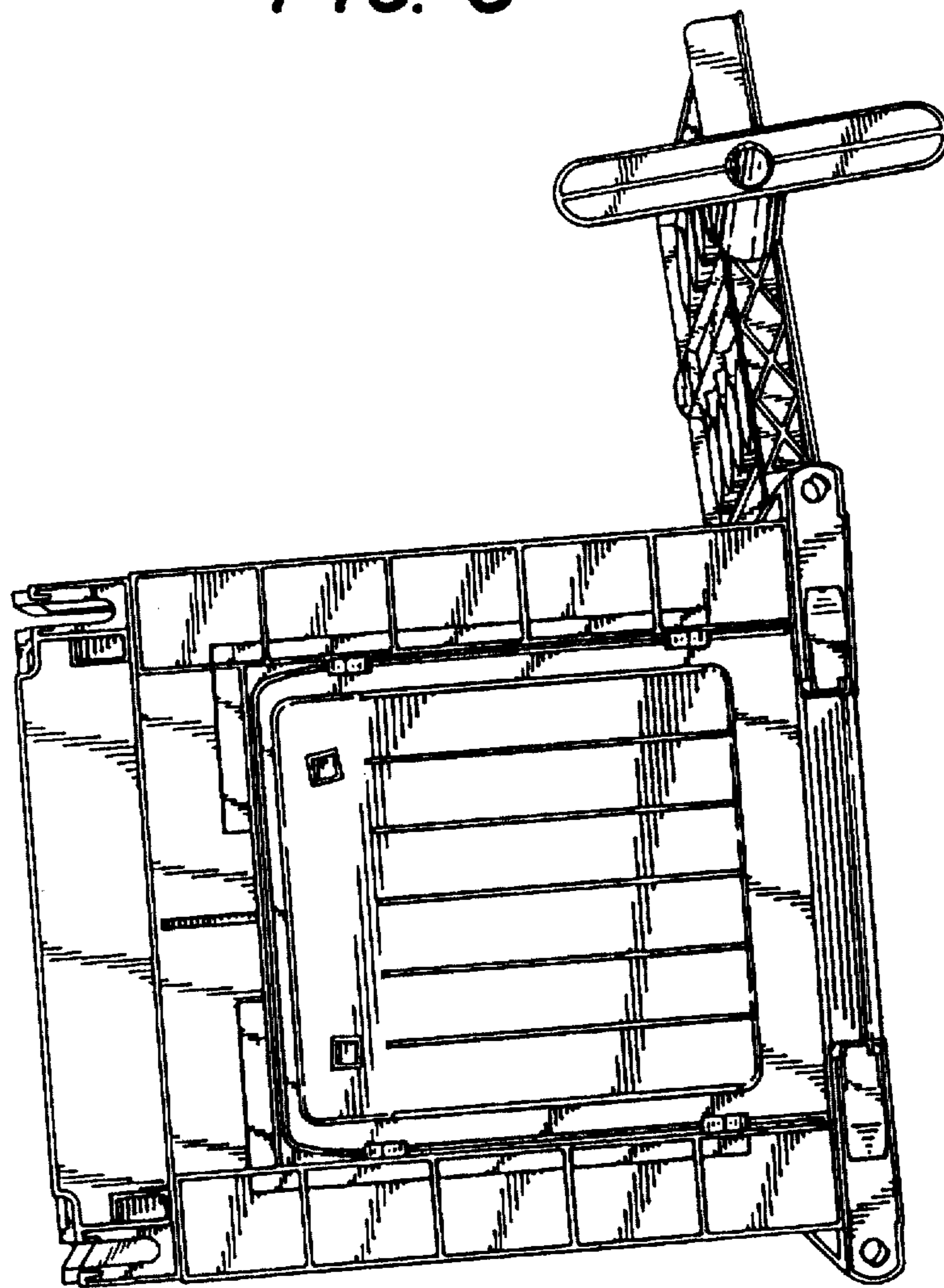


FIG. 6



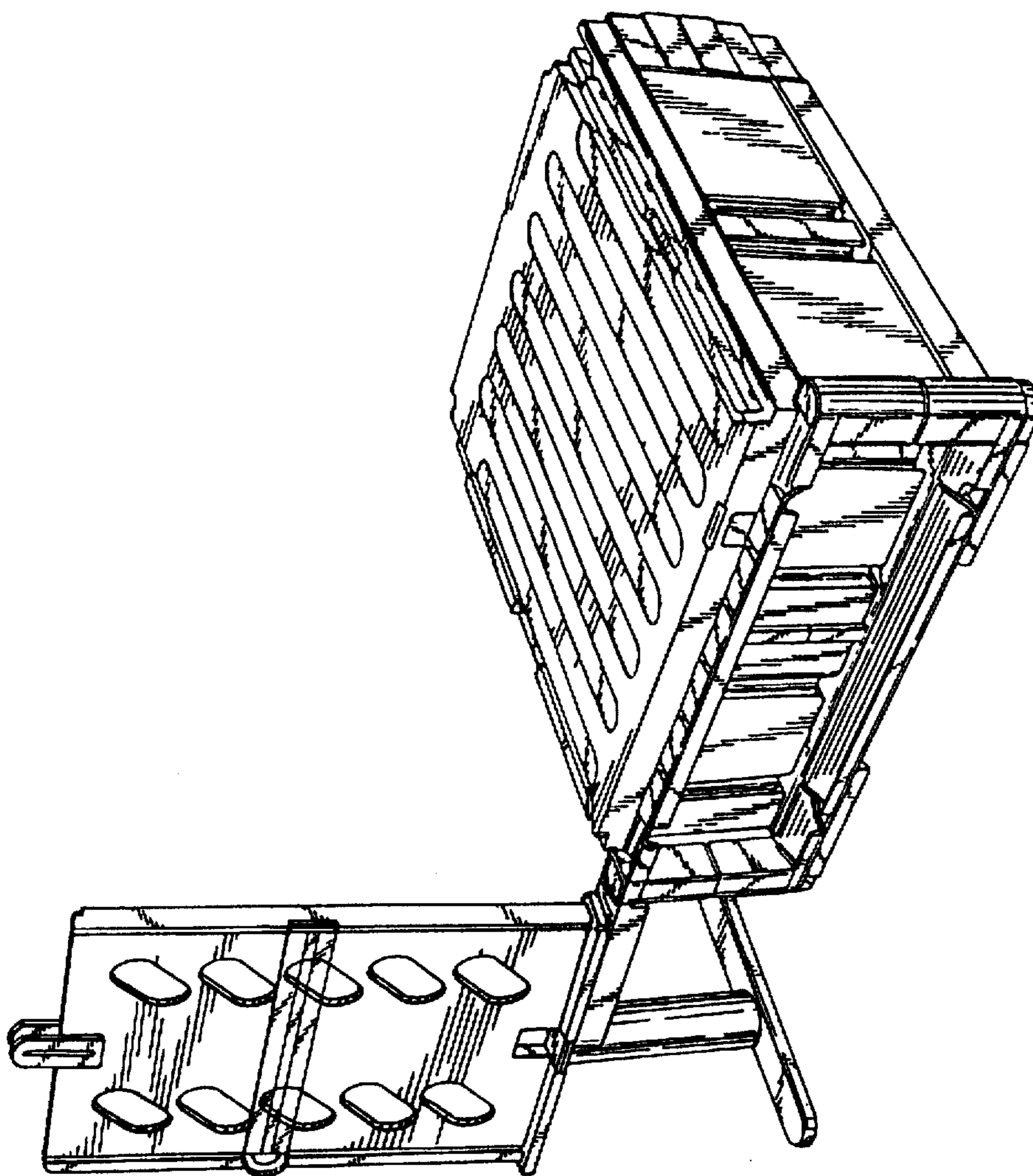


FIG. 7