



US00D393454S

United States Patent [19]

Cruden et al.

[11] Patent Number: Des. 393,454

[45] Date of Patent: **Apr. 14, 1998

[54] TAPE CARTRIDGE

[75] Inventors: **Kenyon R. Cruden**, Huntersville;
Gregory Mark Saul, Charlotte, both of
N.C.

[73] Assignee: **Verbatim Corporation**, Charlotte, N.C.

[**] Term: **14 Years**

[21] Appl. No.: **46,195**

[22] Filed: **Nov. 10, 1995**

[51] LOC (6) Cl. **14-02**

[52] U.S. Cl. **D14/114**

[58] Field of Search D14/100, 107,
D14/114; D6/626-7; 360/60, 130, 132-3,
135, 97.01-99.12; 206/312, 309-10, 472,
45.23; 369/291, 273, 77.2

[56] **References Cited**

U.S. PATENT DOCUMENTS

D. 333,464 2/1993 Yoshida D14/114

D. 337,568 7/1993 Ellis D14/114 X
D. 339,798 9/1993 Tannert et al. D14/114
D. 350,115 8/1994 Ifukar et al. D14/114
D. 350,951 9/1994 Tseng D14/114 X
D. 368,082 3/1996 Goto D14/114
D. 369,153 4/1996 Fujisawa D14/114

Primary Examiner—M. H. Tung
Attorney, Agent, or Firm—Albert C. Smith

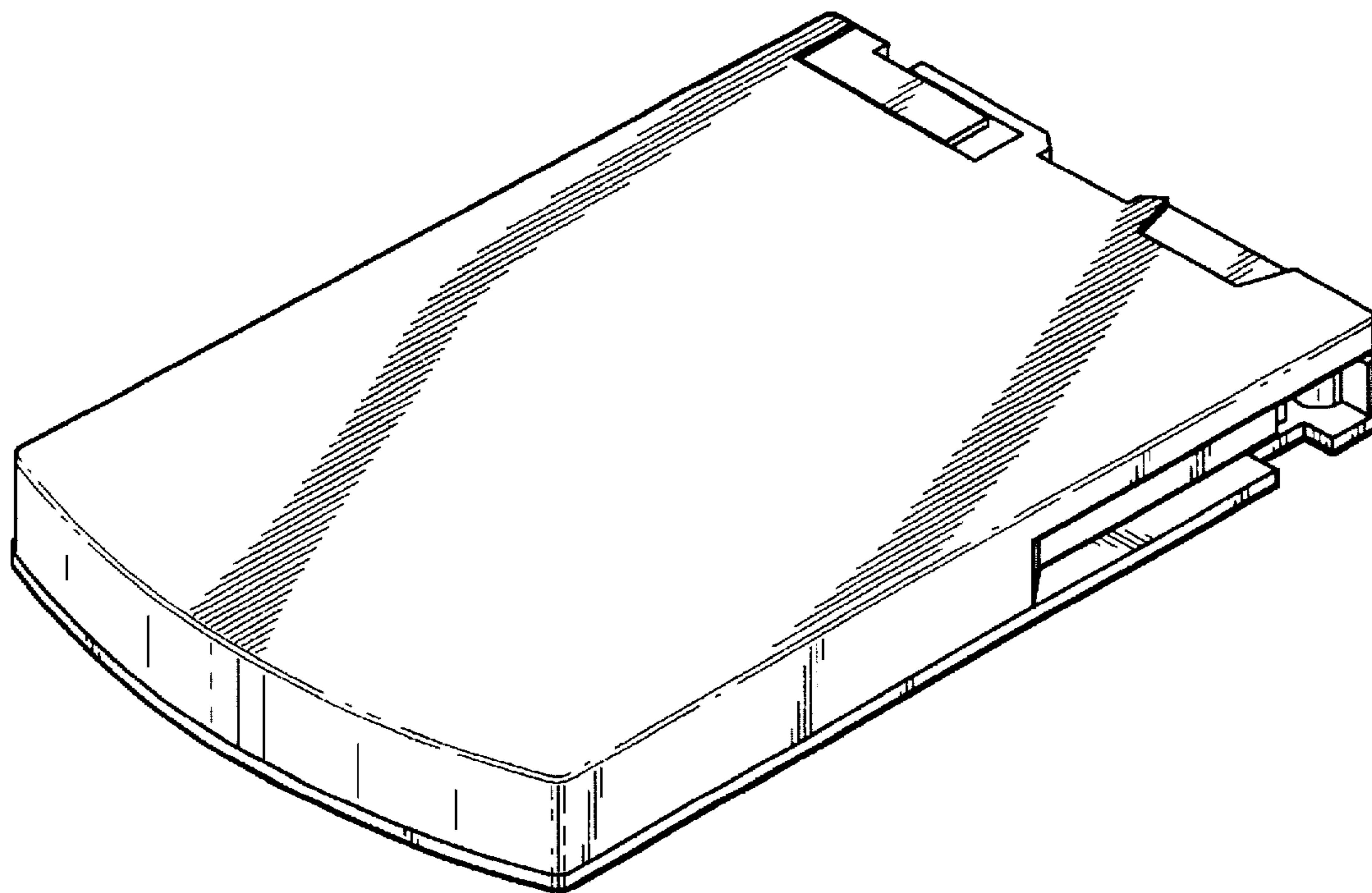
[57] **CLAIM**

The ornamental design for tape cartridge, as shown and described.

DESCRIPTION

FIG. 1 is a perspective view of the tape cartridge in accordance with the invention;
FIG. 2 is a top view of the tape cartridge of FIG. 1;
FIG. 3 is a right side view of the tape cartridge of FIG. 1;
FIG. 4 is a rear view of the tape cartridge of FIG. 1;
FIG. 5 is a bottom view of the tape cartridge of FIG. 1;
FIG. 6 is a left side view of the tape cartridge of FIG. 1; and
FIG. 7 is a front view of the tape cartridge of FIG. 1.

1 Claim, 3 Drawing Sheets



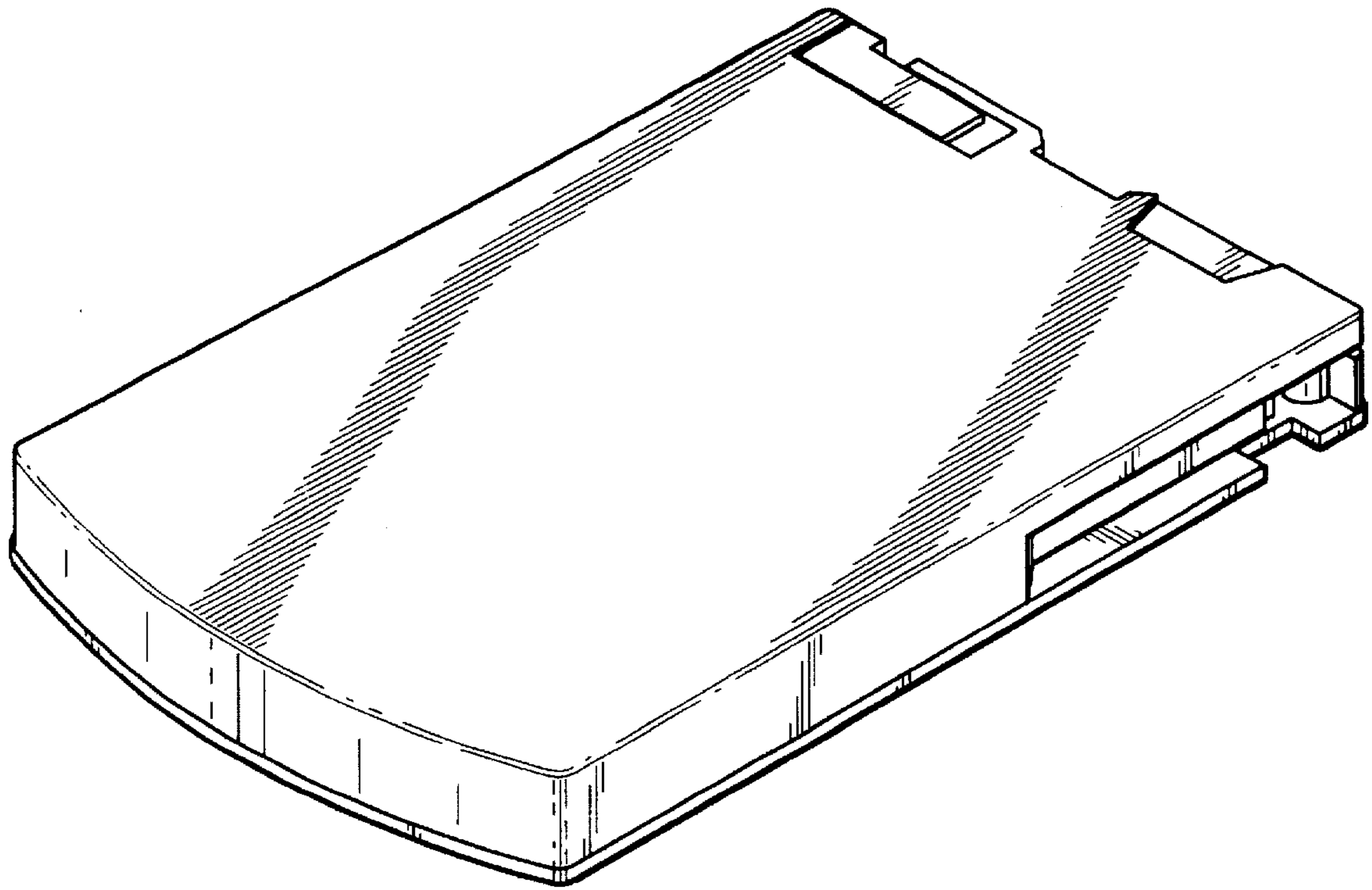


FIG. 1

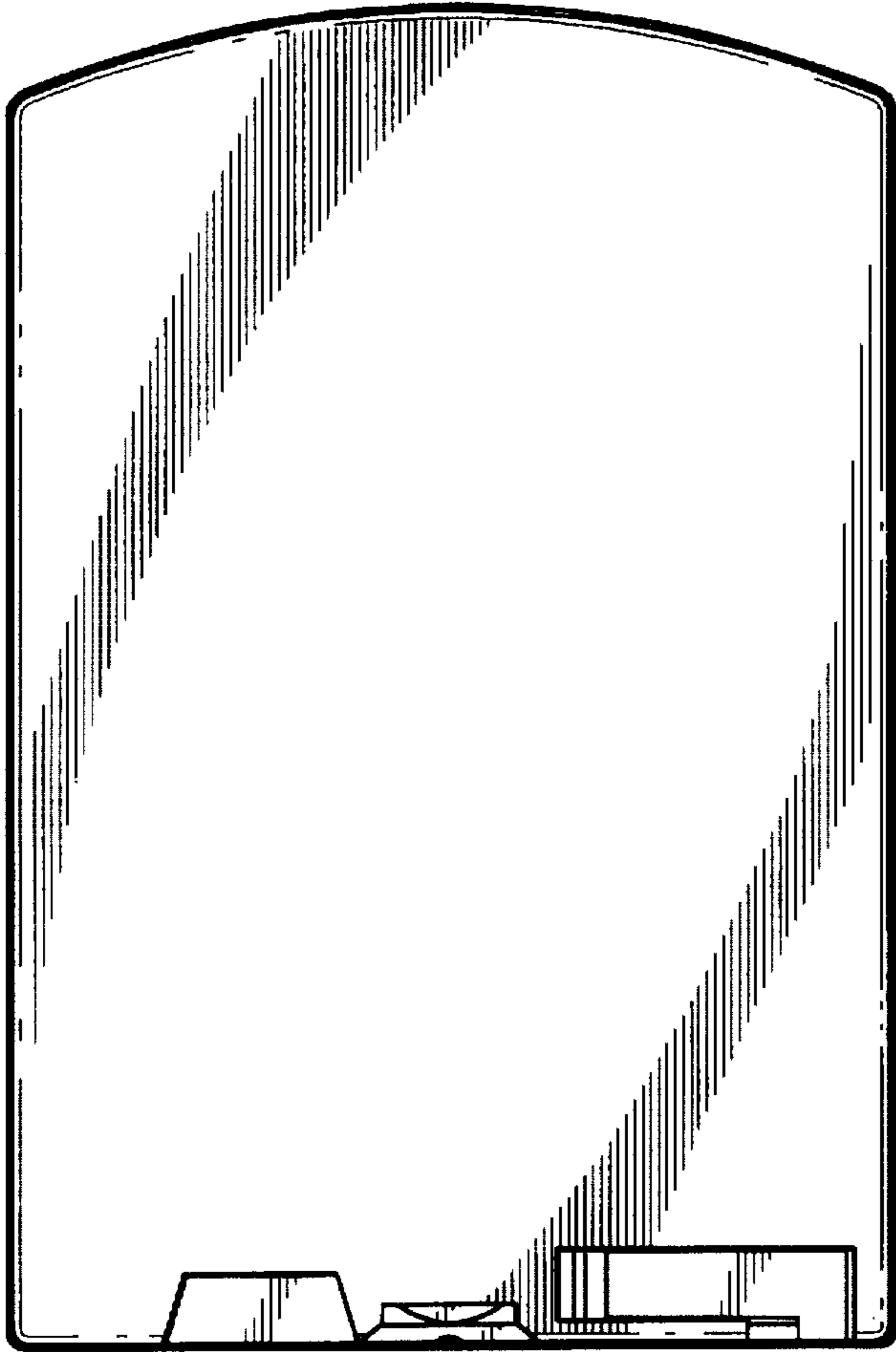


FIG. 2

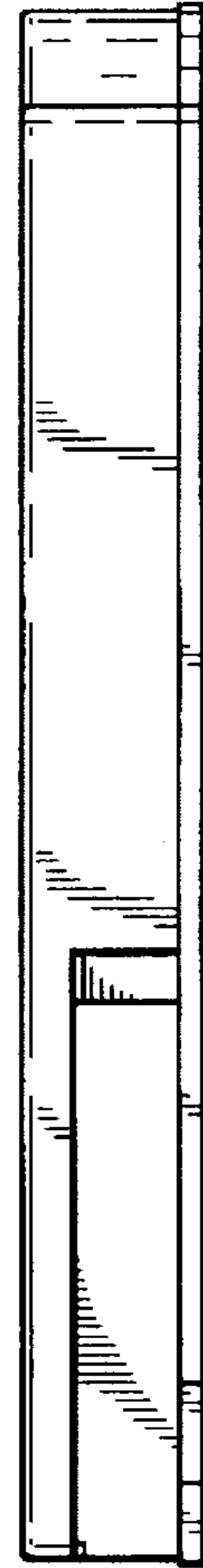


FIG. 3

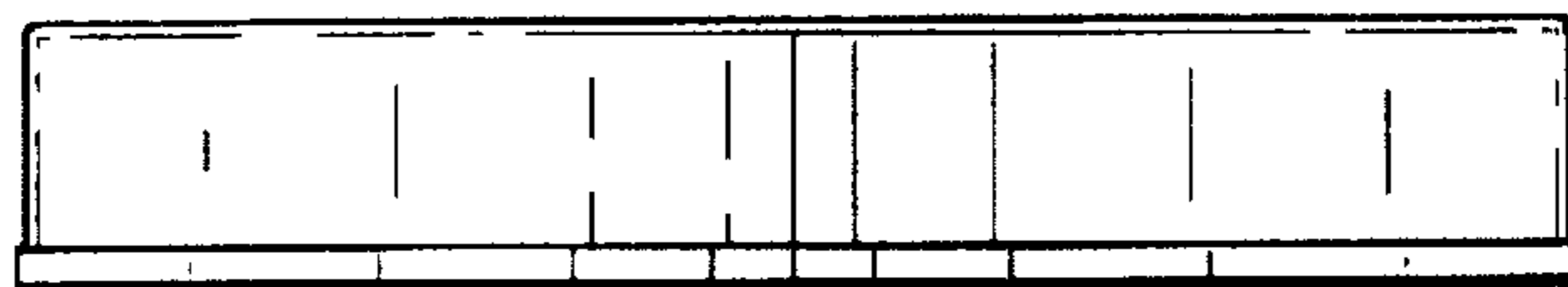


FIG. 4

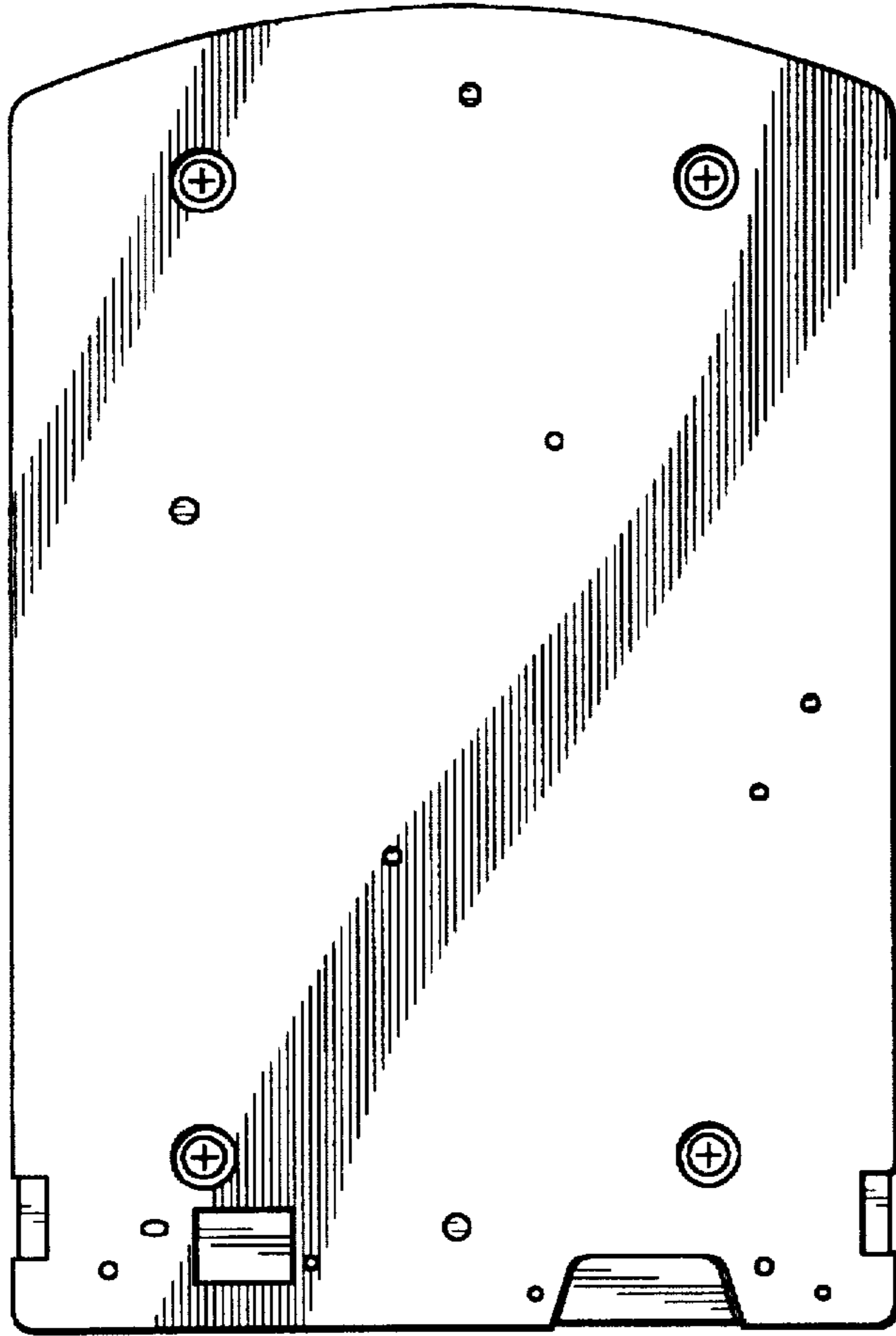


FIG. 5

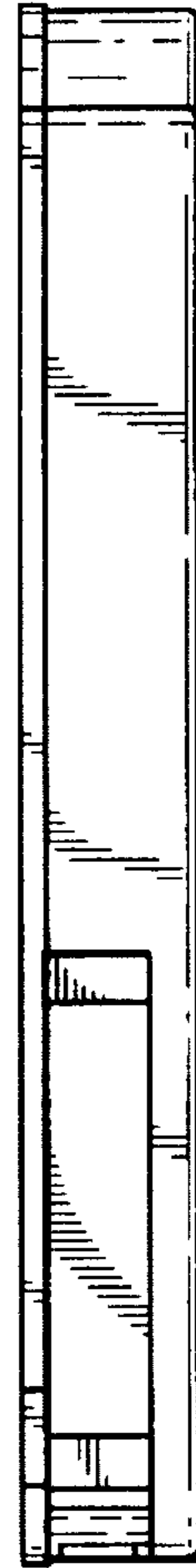


FIG. 6

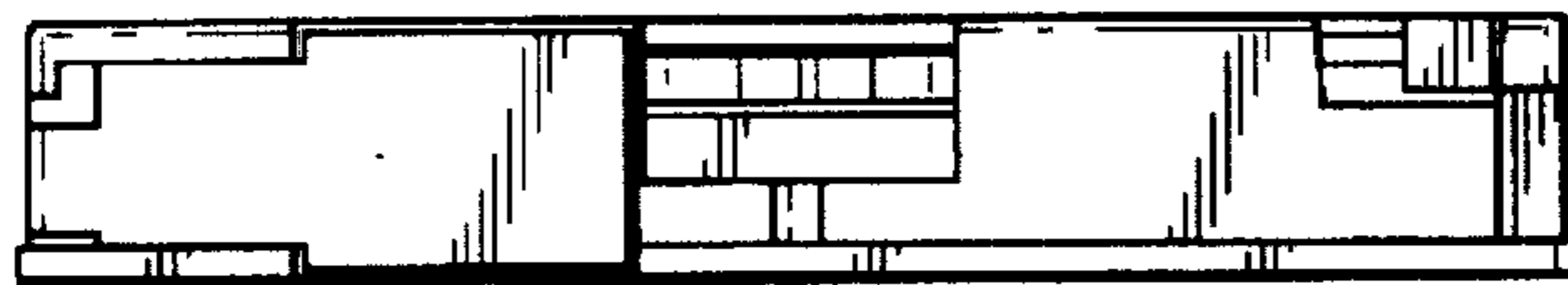


FIG. 7