



US00D393453S

# United States Patent [19]

[11] Patent Number: Des. 393,453

Iino et al.

[45] Date of Patent: \*\*\*Apr. 14, 1998

[54] TOP PORTION OF AN ELECTRONIC COMPUTER

D. 349,278	8/1994	Wettrn	.....	D14/106
D. 351,377	10/1994	Yu	.....	D14/106
D. 356,069	3/1995	Lee	.....	D14/106
D. 369,591	5/1996	Kondo	.....	D14/106
D. 372,020	7/1996	Iino	.....	D14/106

[75] Inventors: Masaaki Iino; Osamu Kondo, both of Tokyo, Japan

[73] Assignee: Kabushiki Kaisha Toshiba, Kanagawa-ken, Japan

### FOREIGN PATENT DOCUMENTS

M 93 09 976 7/1994 Germany .

[\*] Notice: The portion of the term of this patent subsequent to May 7, 2010, has been disclaimed.

### OTHER PUBLICATIONS

[\*\*] Term: 14 Years

Brochure "Power Lite", RDI, published Feb. 14, 1994.  
 Mitac Japan Advertisement, published Jul. 18, 1994.  
 Denpa Shinbun (EPS-466 DX2/TC), Knowledge Computer Consulting, published Apr. 29, 1993.  
 Denpa Shinbun (AIT Wave Note), Nihon NCR, published Oct. 27, 1993.  
 Toshiba T3400CT laptop computer 1993.

[21] Appl. No.: 43,042

[22] Filed: Aug. 23, 1995

Primary Examiner—Freda Nunn  
 Attorney, Agent, or Firm—Banner & Witcoff, Ltd.

### Related U.S. Application Data

[63] Continuation-in-part of Ser. No. 41,920, Jul. 12, 1995, Pat. No. Des. 369,591, which is a continuation of Ser. No. 26,824, Aug. 4, 1994, abandoned, and Ser. No. 38,603, May 9, 1995, Pat. No. Des. 372,020.

### [57] CLAIM

The ornamental design for a top portion of an electronic computer, as shown and described.

[51] LOC (6) Cl. .... 14-02

[52] U.S. Cl. .... D14/114; D14/106

[58] Field of Search ..... D14/100, 101, D14/106, 113, 115; D18/1, 7, 2; 235/145 A, 145 R; 341/22, 23; 345/104, 156, 168, 173, 160, 901-905; 361/679-686; 364/708.1; 400/486, 489

### DESCRIPTION

FIG. 1 is a top, front and right side perspective view of a top portion of an electronic computer showing our new design; FIG. 2 is a front elevational view thereof; FIG. 3 is a top plan view thereof; FIG. 4 is a left side elevational view thereof; and, FIG. 5 is a right side elevational view thereof. The broken line showing of the remaining portions of the electronic computer are for illustrative purposes only and form no part of the claimed design.

### [56] References Cited

#### U.S. PATENT DOCUMENTS

D. 332,783	1/1993	Krakower et al.	.....	D14/106
D. 338,456	8/1993	Brunner et al.	.....	D14/106

1 Claim, 3 Drawing Sheets

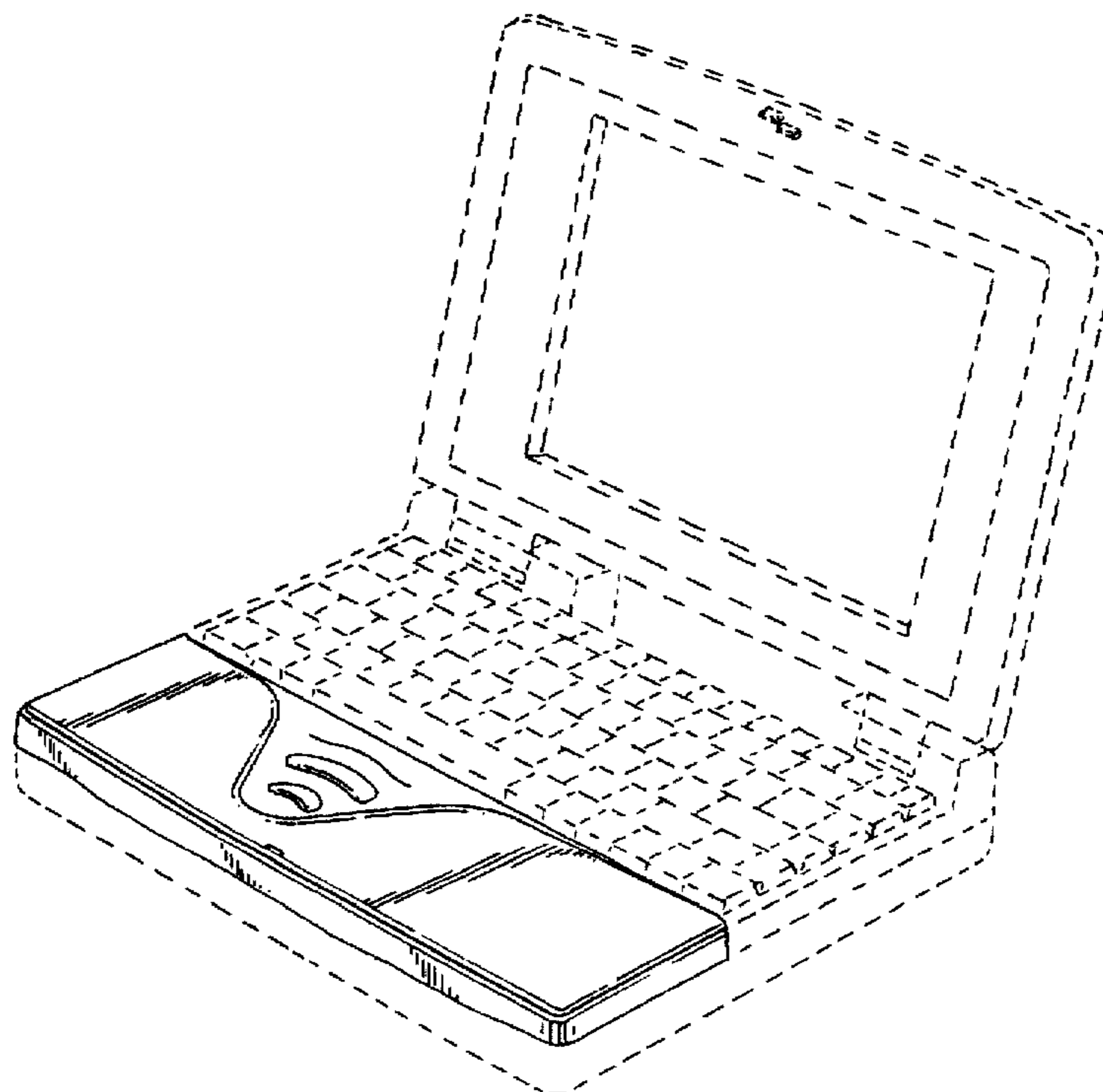


FIG. 1

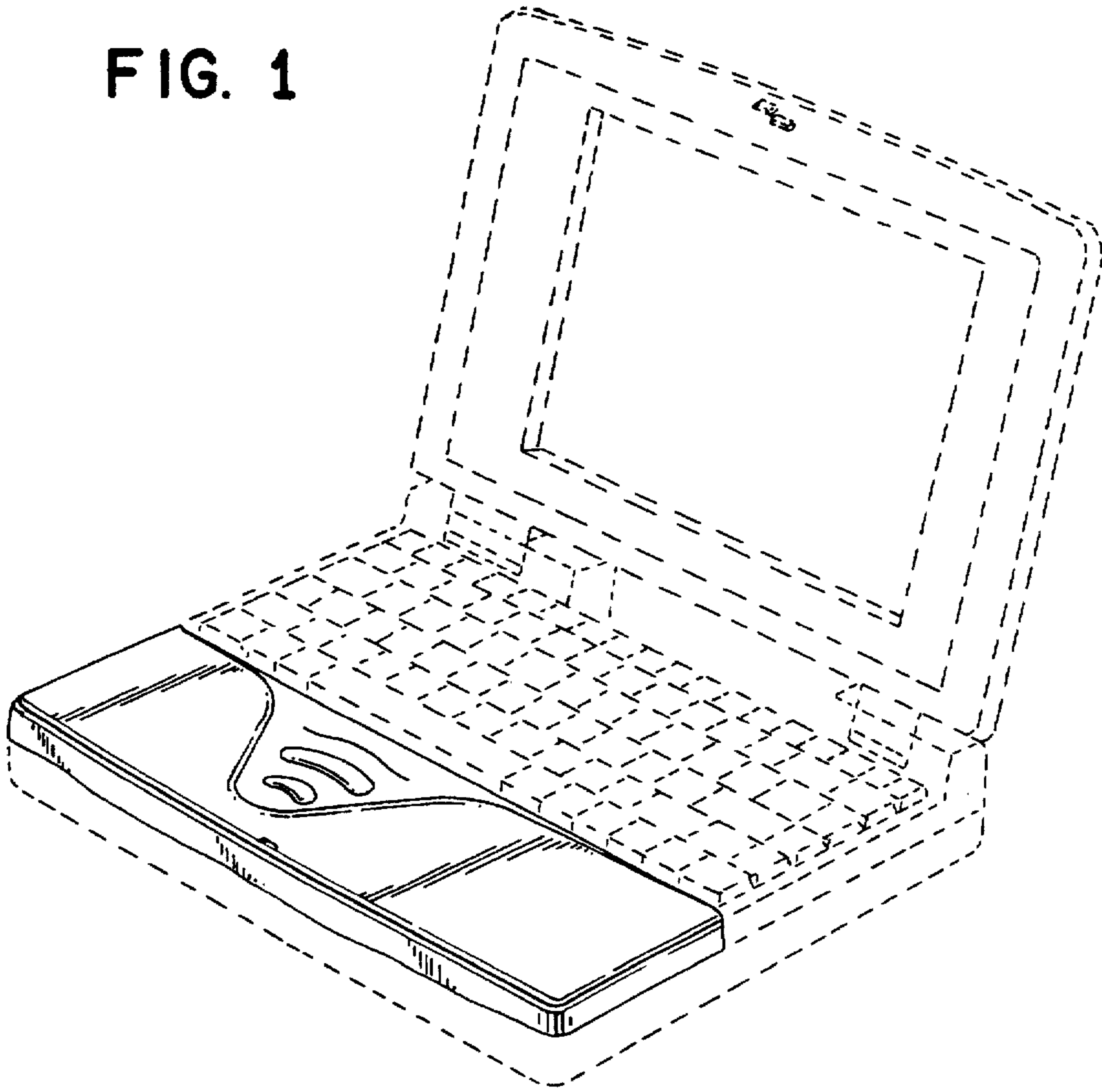


FIG. 2

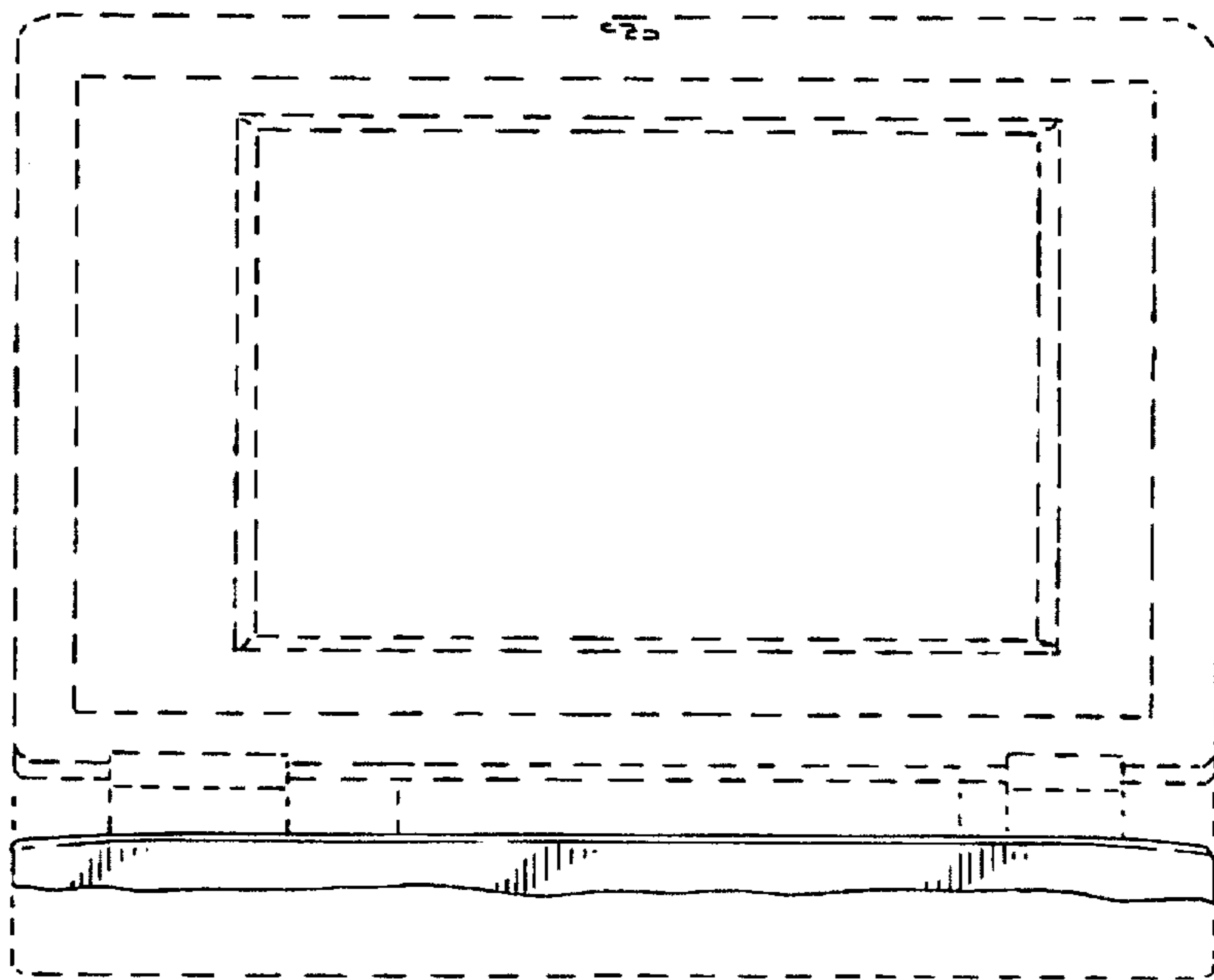


FIG. 3

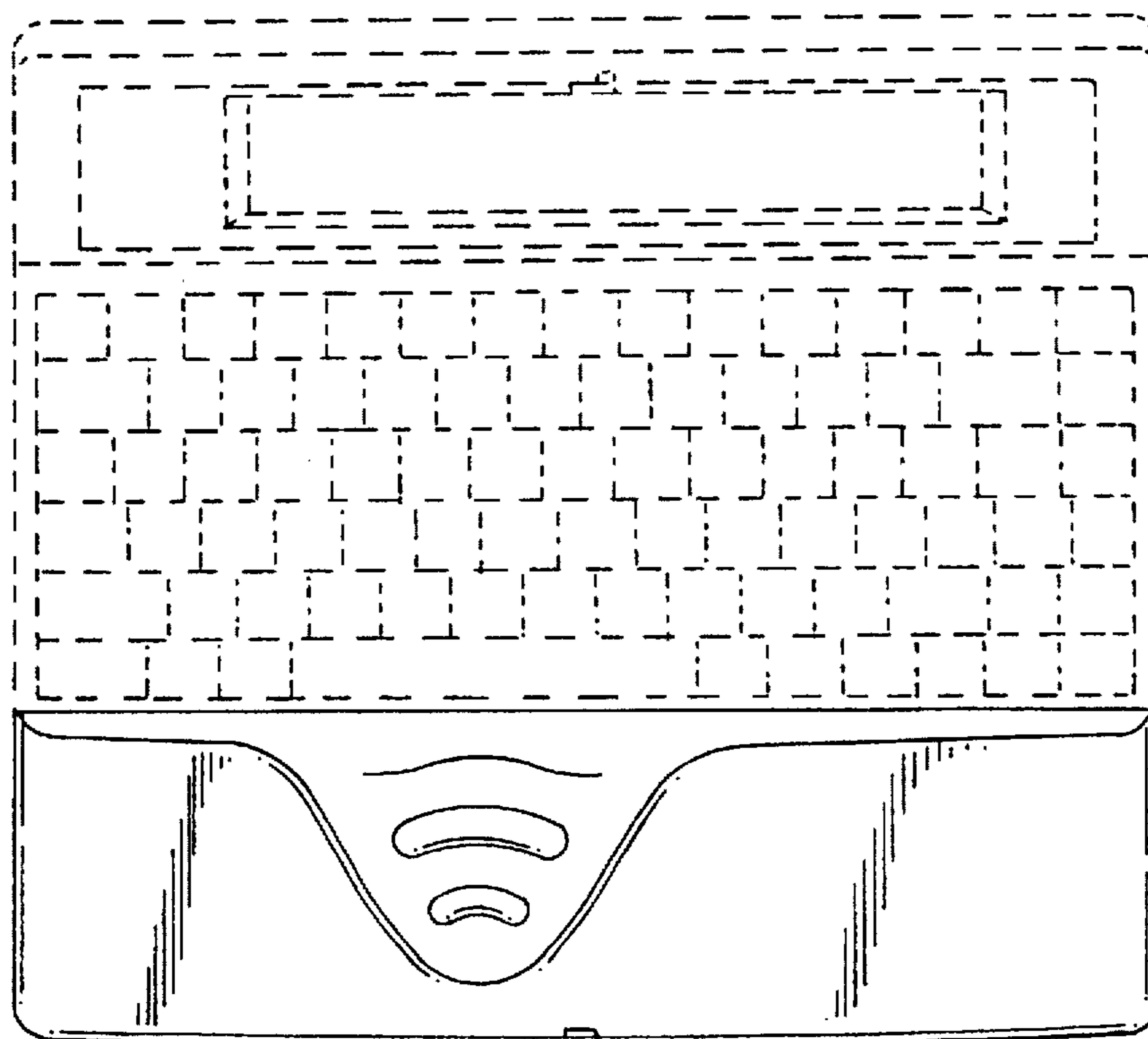


FIG. 4

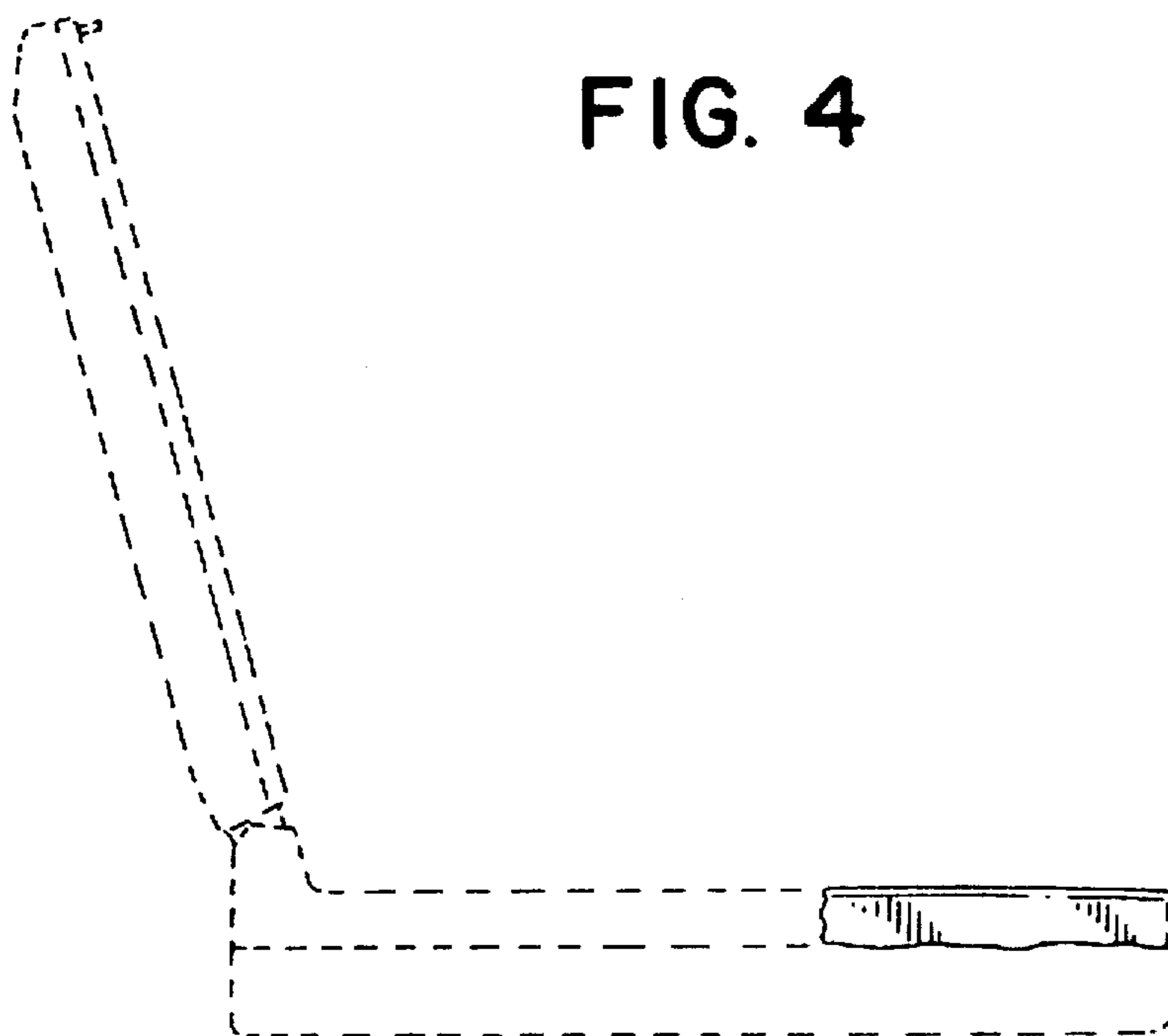


FIG. 5

