



US00D393451S

United States Patent [19]

Faranda et al.

[11] Patent Number: **Des. 393,451**

[45] Date of Patent: ****Apr. 14, 1998**

[54] **PORTABLE MULTIMEDIA DOCKING MODULE**

D. 349,889	8/1994	Loh et al.	D14/100
D. 356,782	3/1995	Leman	D14/107
D. 359,034	6/1995	Kondo	D14/107

[75] Inventors: **Robert T. Faranda**, Acton; **Allan Scott Baucom**, Townsend; **Bradford G. Chapin**, Ayer, all of Mass.

Primary Examiner—Freda Nunn

[73] Assignee: **Digital Equipment Corporation**, Maynard, Mass.

[57] CLAIM

The ornamental design for a portable multimedia docking module, as shown.

[**] Term: **14 Years**

DESCRIPTION

[21] Appl. No.: **53,354**

FIG. 1 is a front left side perspective view of the portable multimedia docking module showing our new design;

[22] Filed: **Mar. 13, 1996**

FIG. 2 is a front view thereof;

[51] LOC (6) Cl. **14-02**

FIG. 3 is a rear view thereof;

[52] U.S. Cl. **D14/107**

FIG. 4 is a right side view thereof;

[58] Field of Search D14/100, 107, D14/114; D13/184, 199; 361/683-686; 364/708.1; 439/95

FIG. 5 is a left side view thereof;

FIG. 6 is a top view thereof; and,

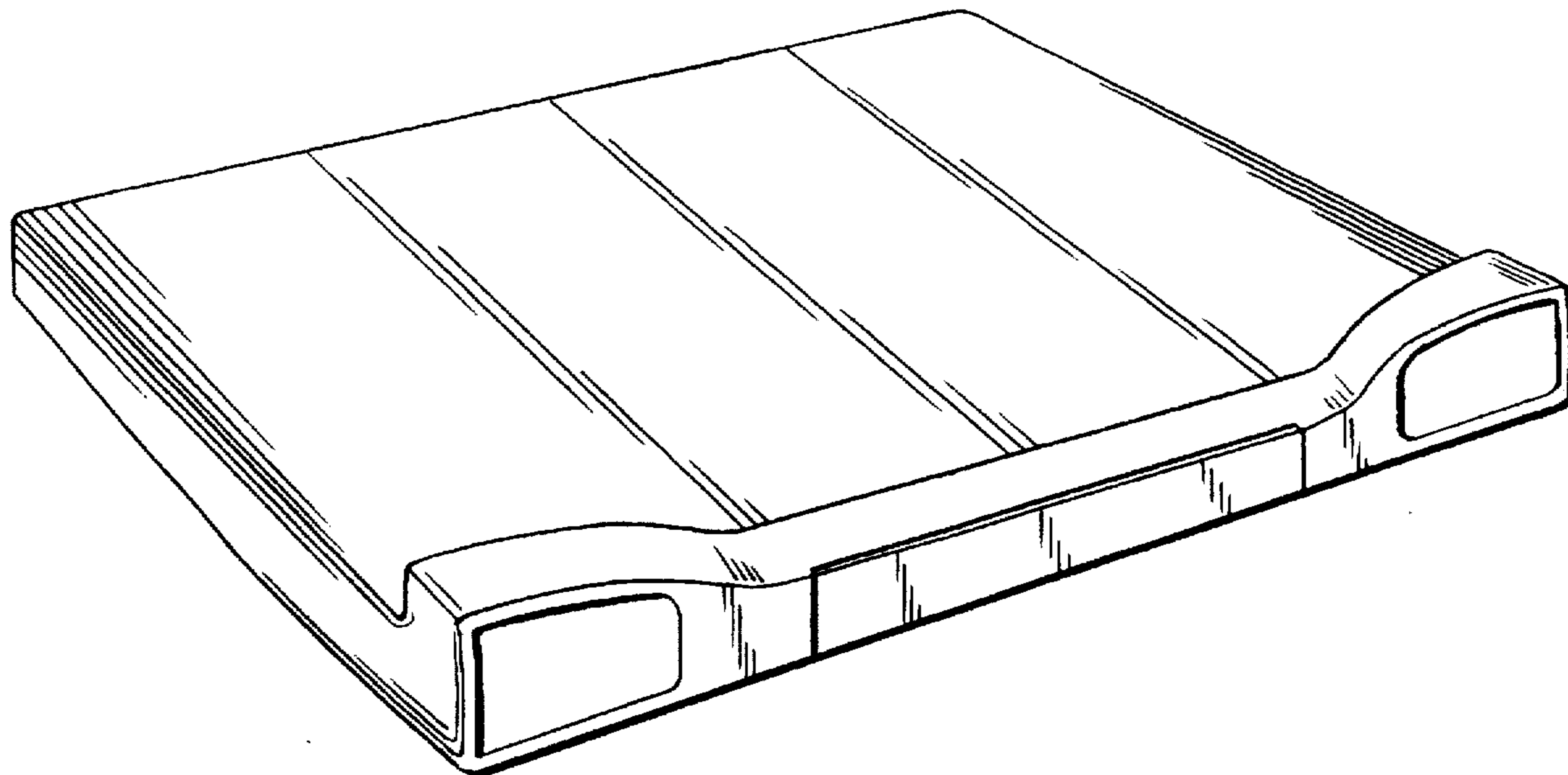
FIG. 7 is a bottom view thereof.

[56] References Cited

U.S. PATENT DOCUMENTS

D. 342,487 12/1993 Iino D14/107

1 Claim, 4 Drawing Sheets



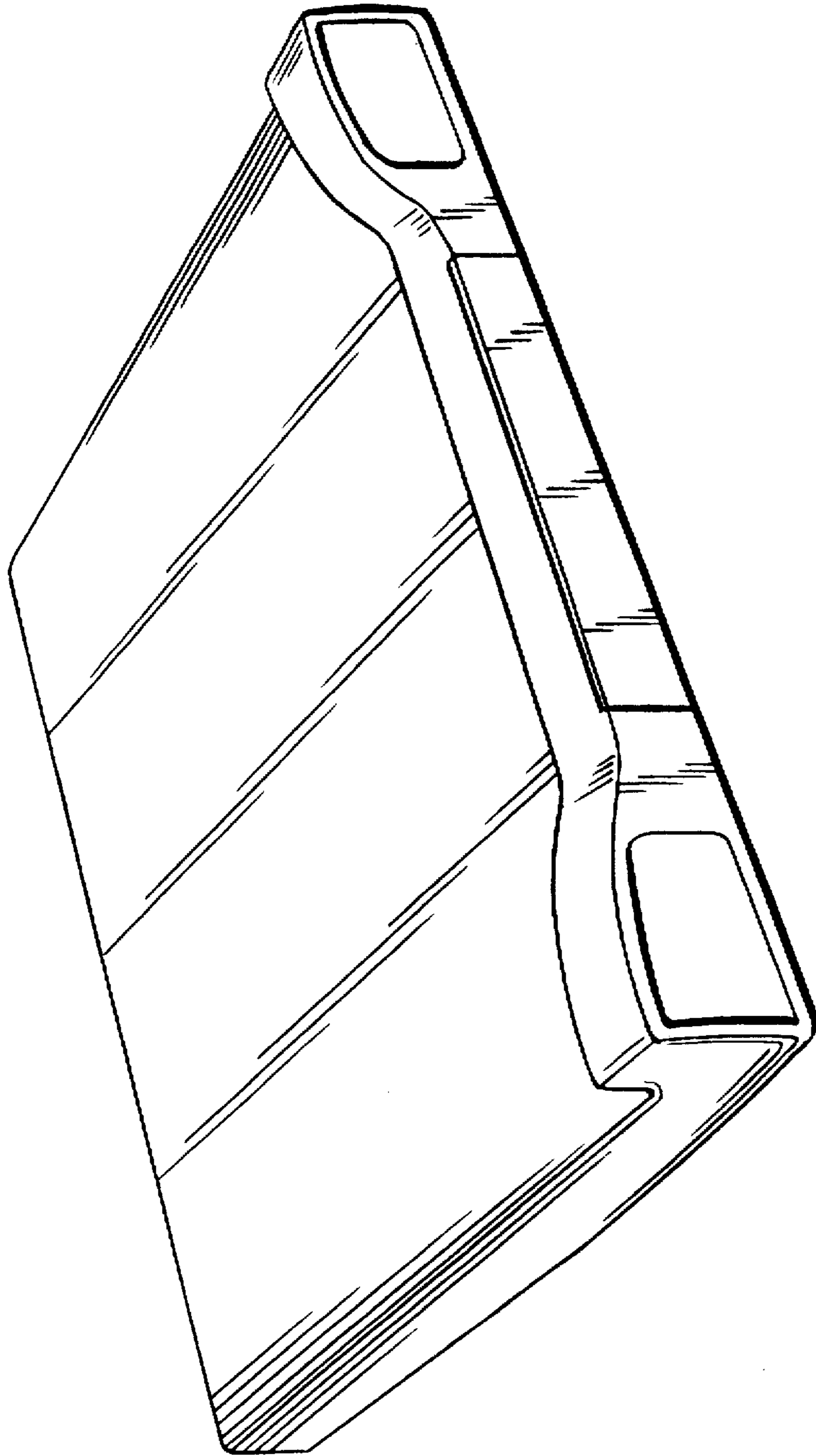


FIG. 1



FIG. 2

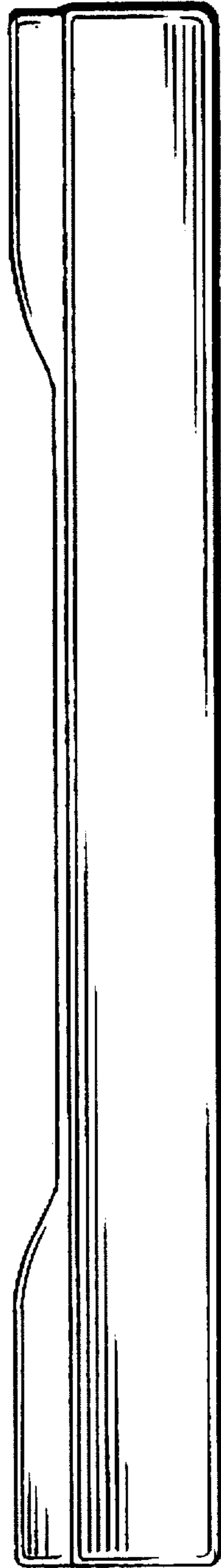


FIG. 3

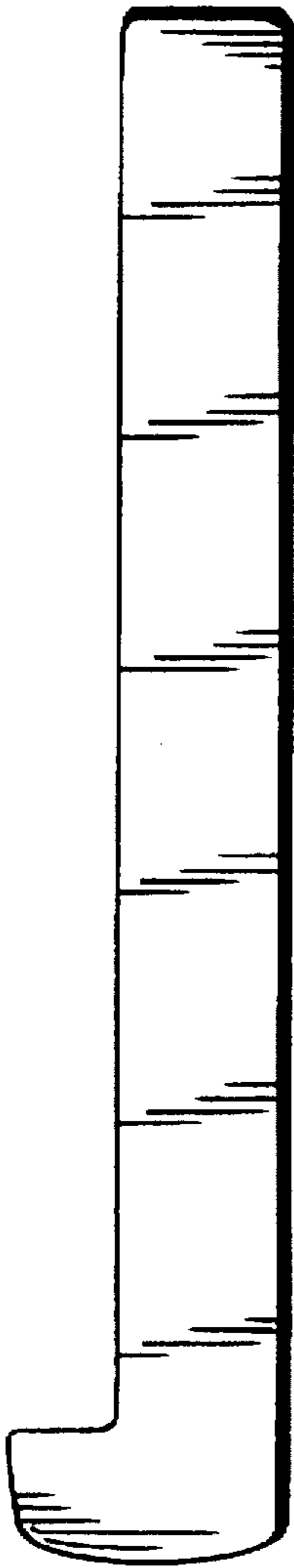


FIG. 4

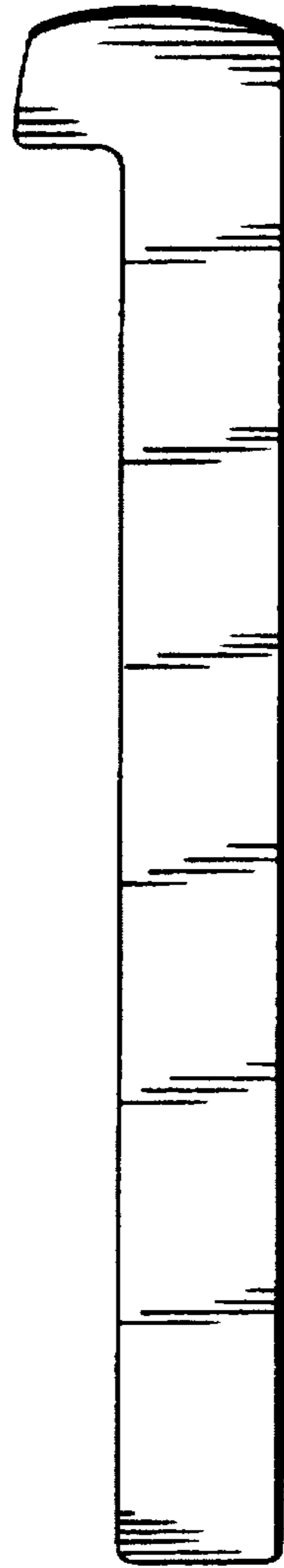


FIG. 5

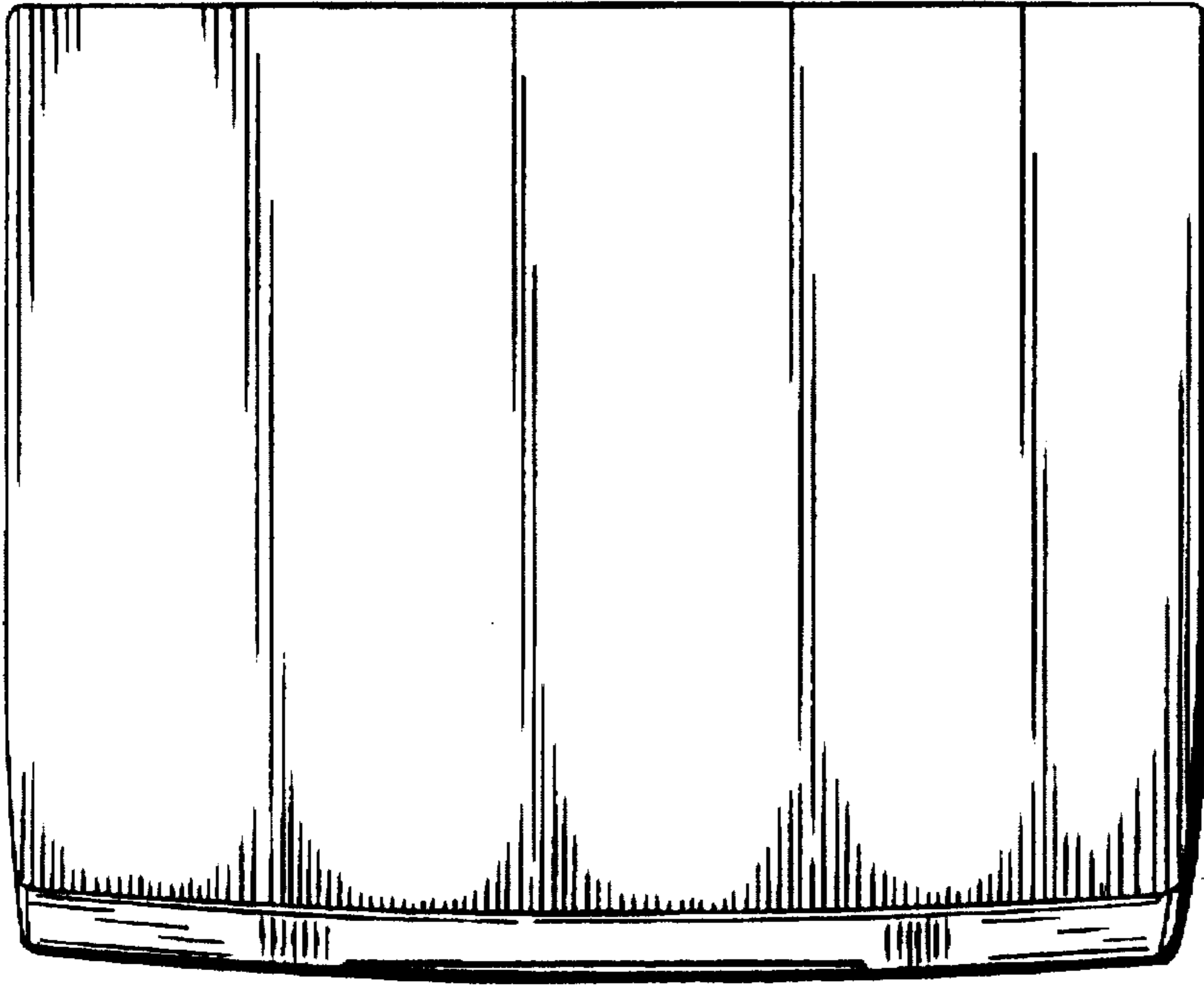


FIG. 6

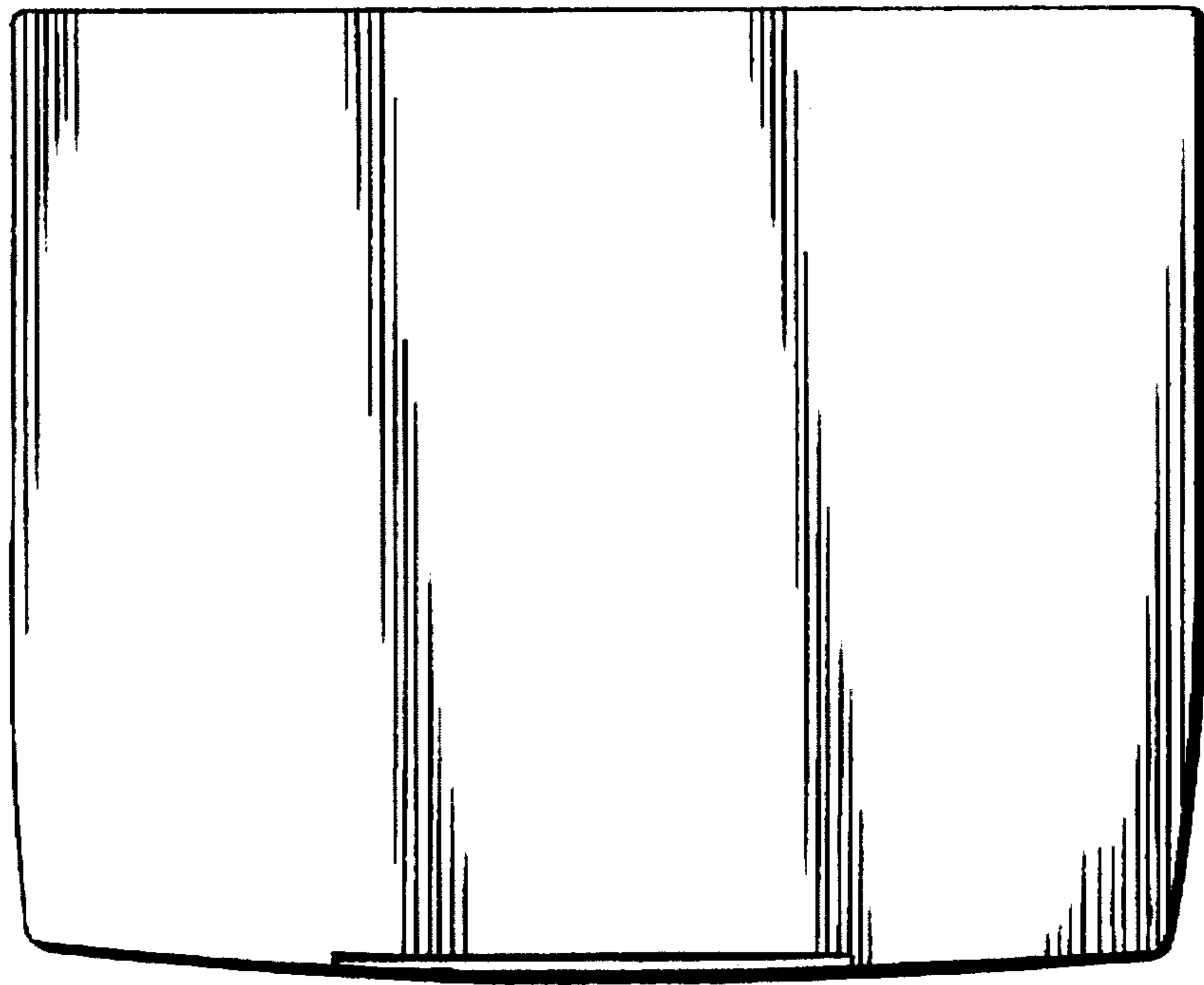


FIG. 7