



US00D393448S

United States Patent [19]

Siat

[11] Patent Number: **Des. 393,448**

[45] Date of Patent: ****Apr. 14, 1998**

[54] **HANDLE**

[75] Inventor: **Benoit Siat, Benfeld, France**

[73] Assignee: **Socomec (Societe Anonyme), Benfeld, France**

[**] Term: **14 Years**

[21] Appl. No.: **49,493**

[22] Filed: **Jan. 26, 1996**

[30] **Foreign Application Priority Data**

Jul. 27, 1995 [FR] France 954244

[51] LOC (6) Cl. **13-03**

[52] U.S. Cl. **D13/173; D13/158**

[58] Field of Search D13/158-178, D13/184, 199; D9/300, 307, 308; 200/5 R, 43.11, 43.14, 43.19, 50.18, 293, 329, 330, 332, 334, 336; 335/8-10, 17, 202

[56] **References Cited**

U.S. PATENT DOCUMENTS

- D. 320,385 10/1991 Owens et al. D13/160
- D. 320,434 10/1991 Rawald D8/308 X
- D. 354,738 1/1995 Zimmermann et al. D13/158 X
- 3,081,390 3/1963 Lasar 200/43.11 X

- 3,171,908 3/1965 Malota 200/43.11 X
- 4,409,572 10/1983 Mostosi 335/8
- 4,713,498 12/1987 Ludwig et al. 200/5 R
- 5,243,157 9/1993 Hoffman 200/43.11

OTHER PUBLICATIONS

NED, Advertisement for Cutler-Hammer Products, Handle Operator, p. 72, Jan. 1990.

Primary Examiner—James Gandy
Assistant Examiner—Cathron B. Matta
Attorney, Agent, or Firm—Alfred M. Walker

[57] **CLAIM**

The ornamental design for a handle, as shown and described.

DESCRIPTION

FIG. 1 is a perspective view of a handle, showing my new design;
 FIG. 2 is a top plan view thereof, shown at a reduced scale;
 FIG. 3 is a left side elevational view thereof, shown at a reduced scale;
 FIG. 4 is a front view thereof;
 FIG. 5 is a right side elevational view thereof, shown at a reduced scale;
 FIG. 6 is a rear view thereof, shown at a reduced scale; and,
 FIG. 7 is a bottom view thereof, shown at a reduced scale.

1 Claim, 3 Drawing Sheets

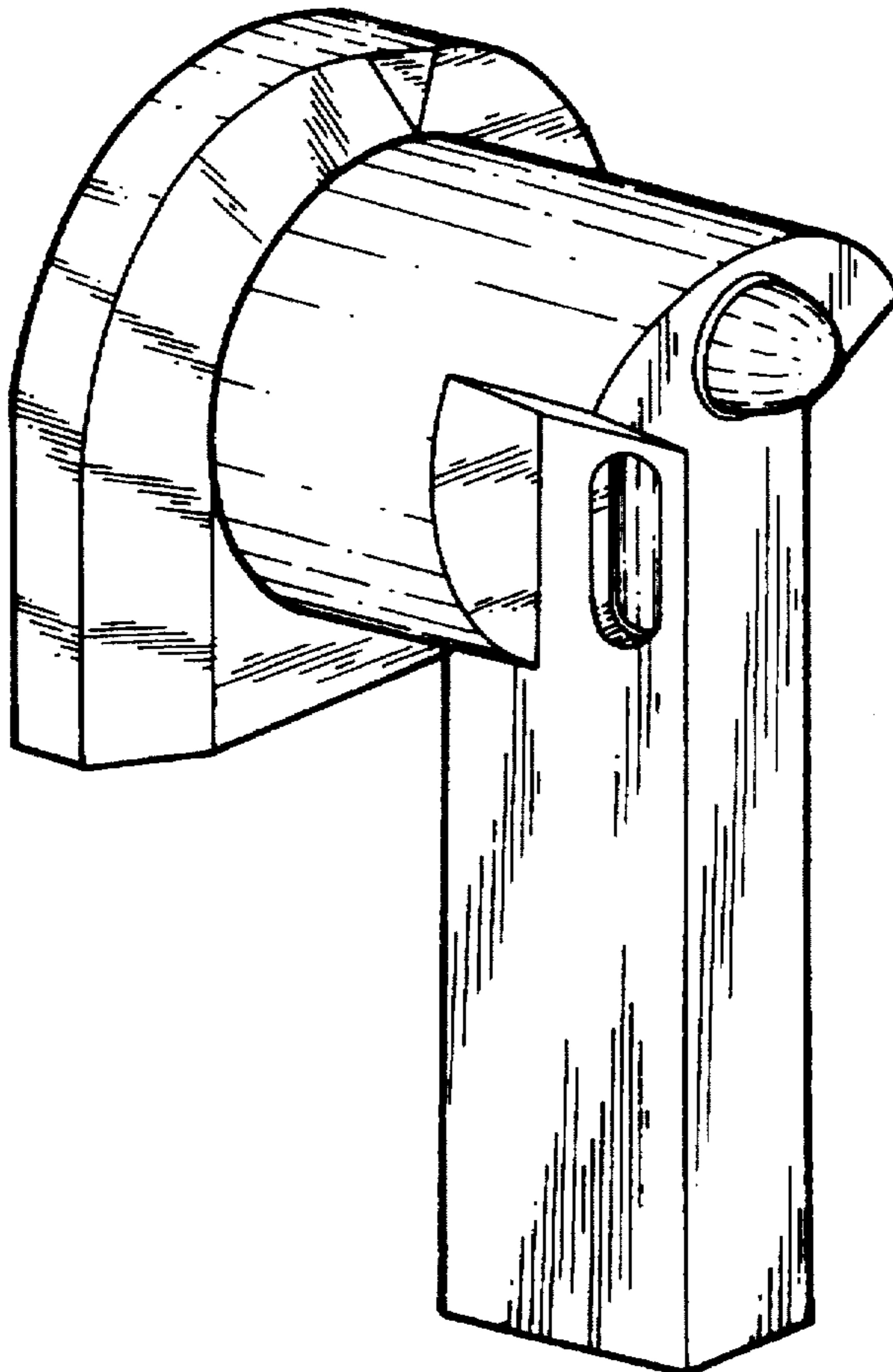


FIG. 1

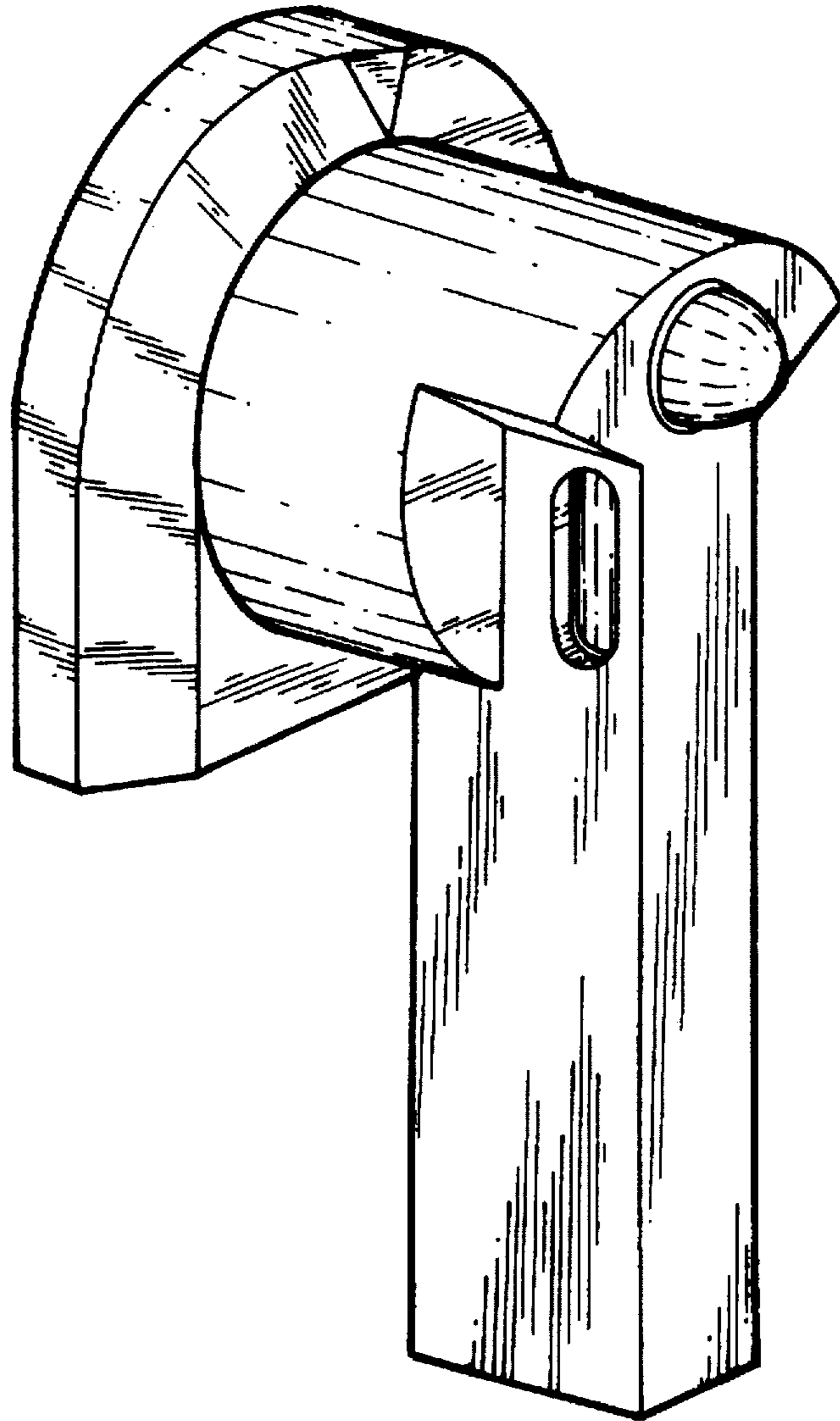


FIG. 2

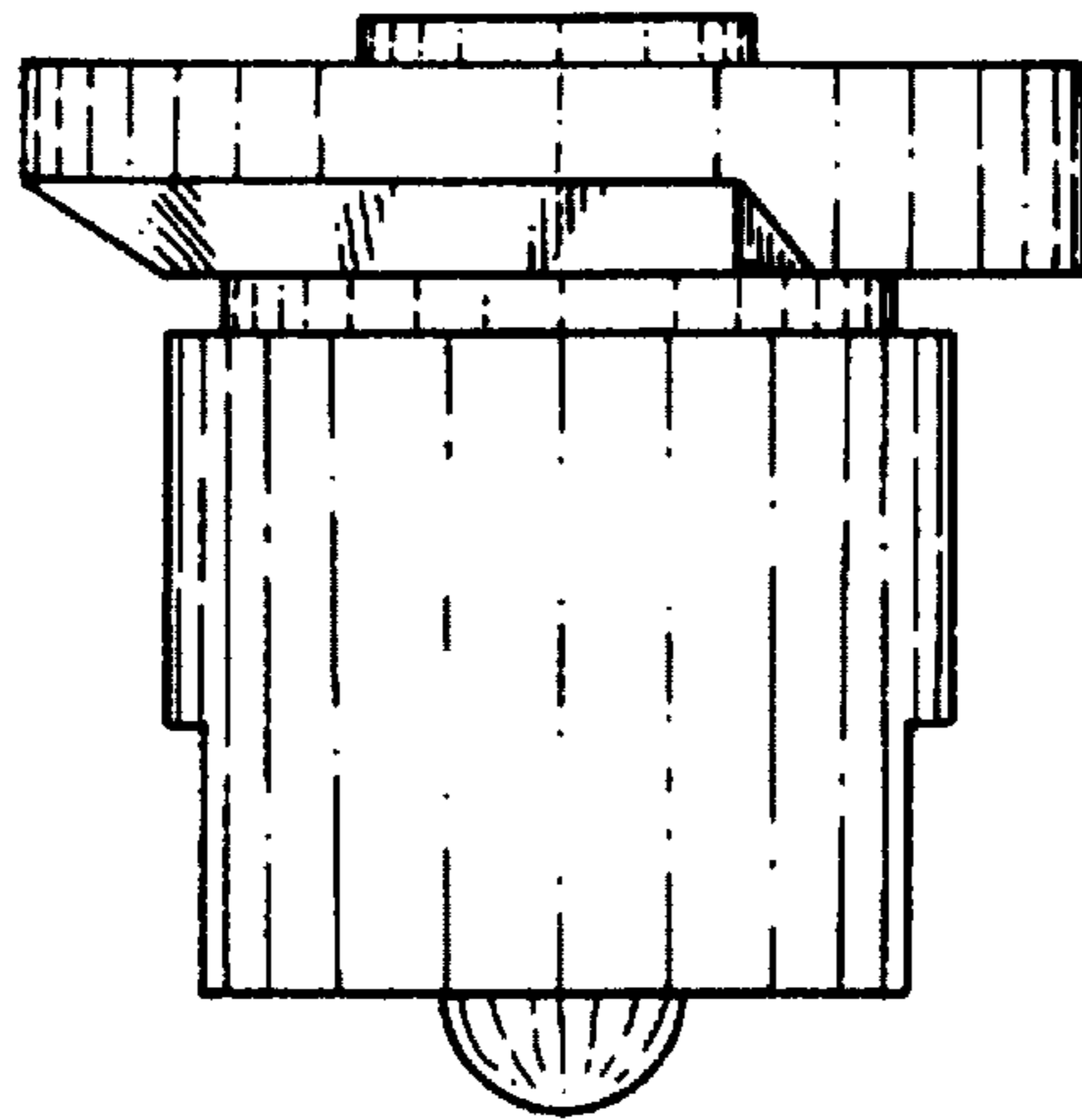


FIG. 3

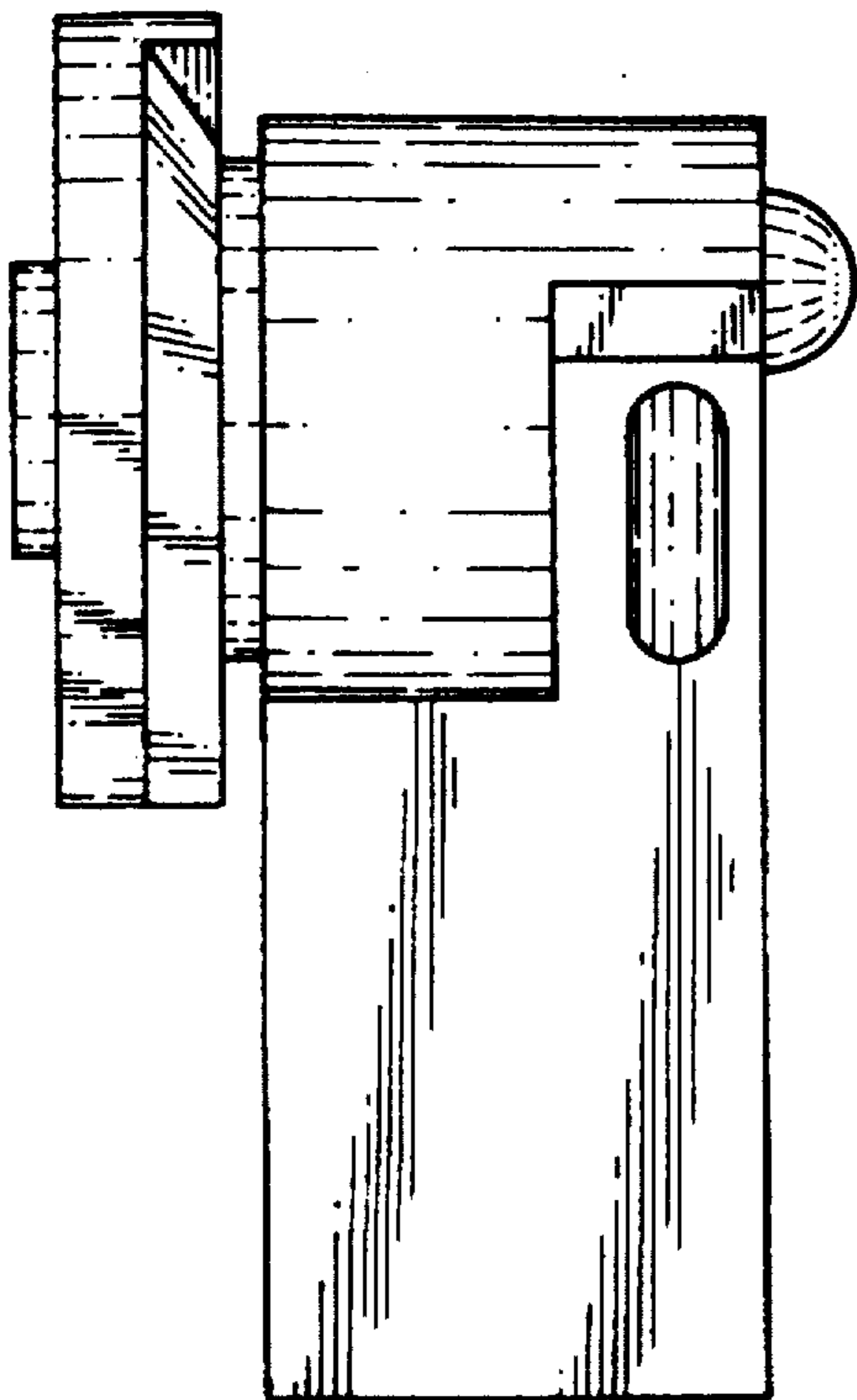


FIG. 4

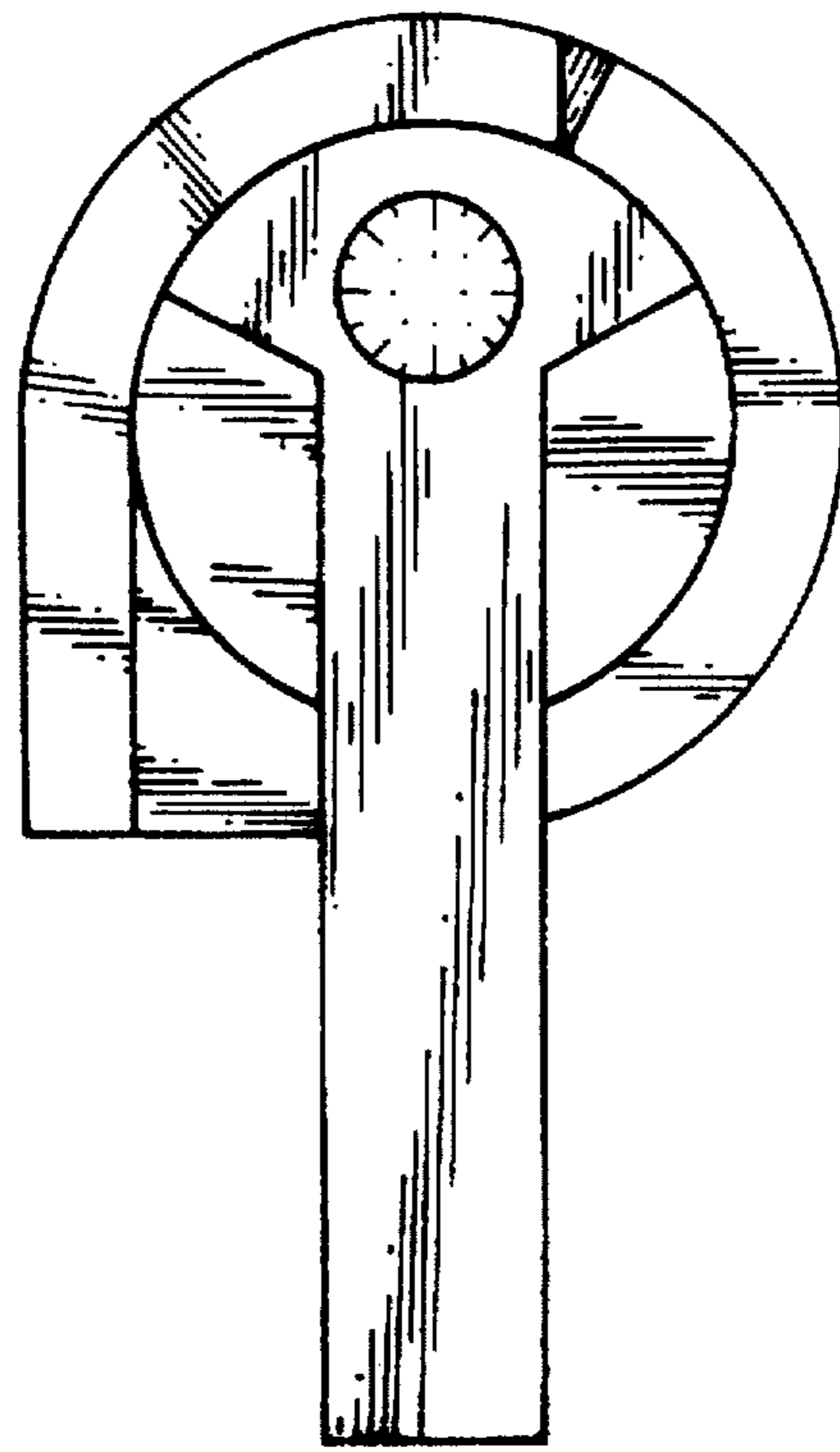


FIG. 6

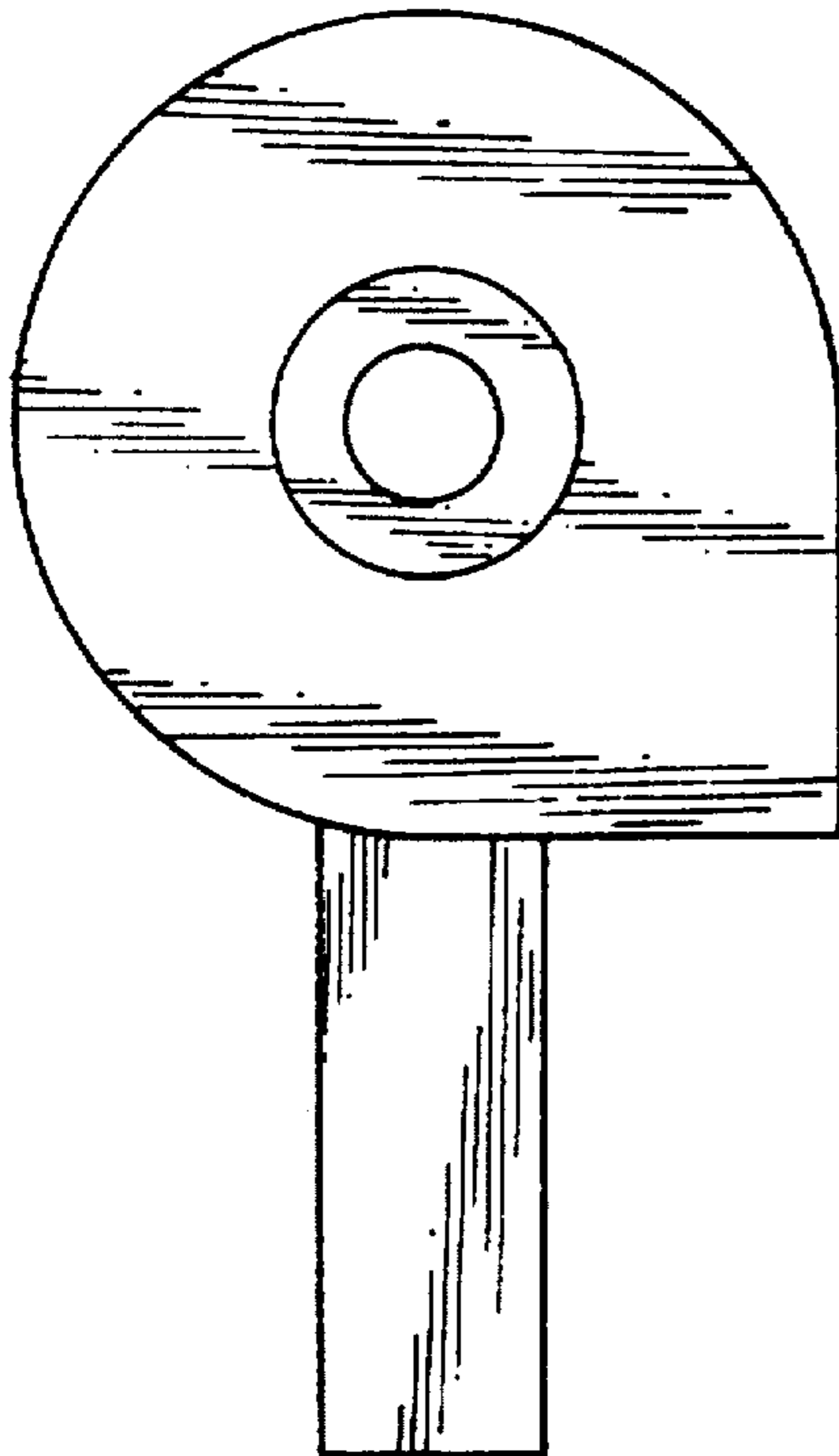


FIG. 5

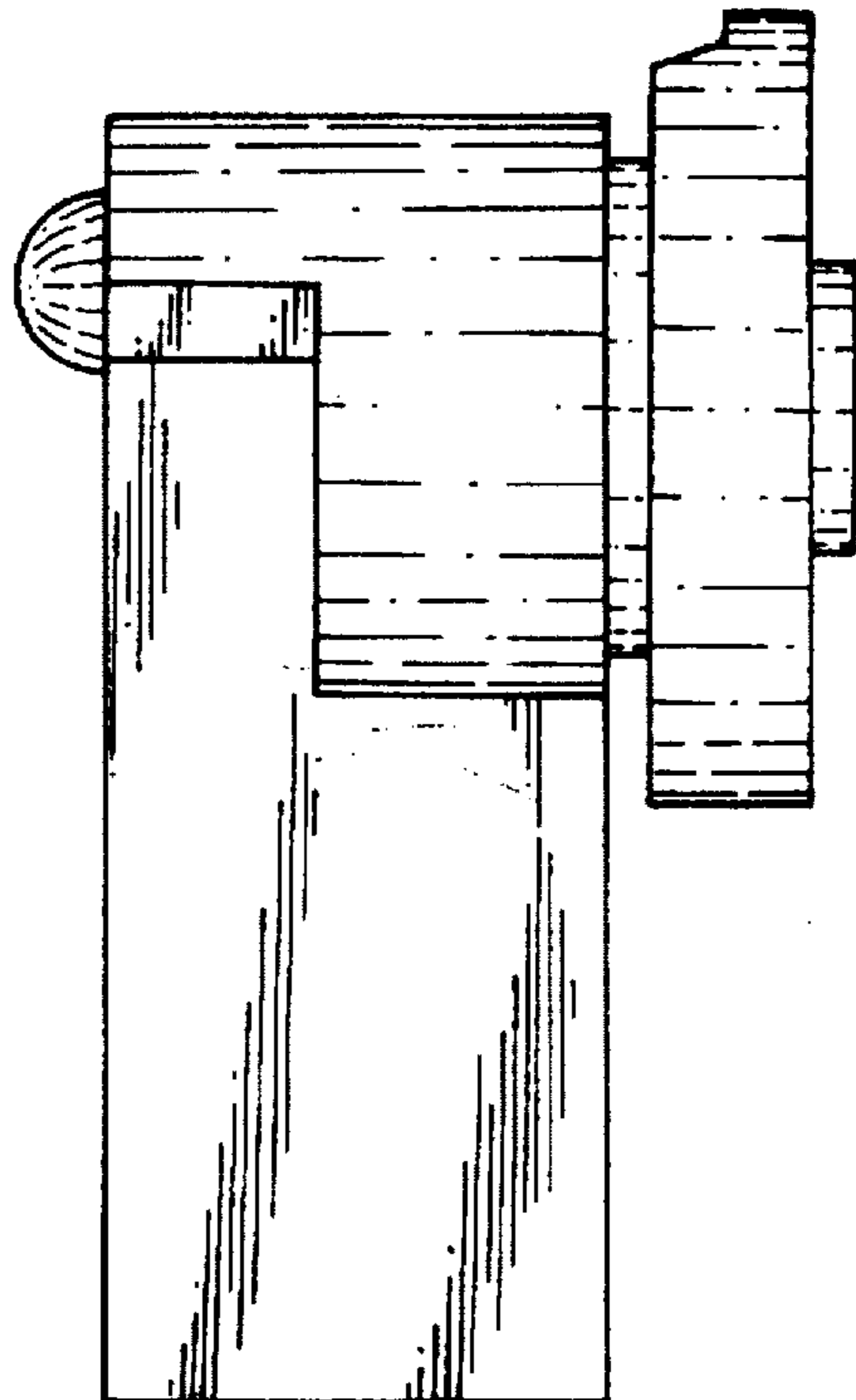


FIG. 7

