



US00D393447S

United States Patent [19]

Ahmed et al.

[11] Patent Number: Des. 393,447

[45] Date of Patent: **Apr. 14, 1998

[54] ADAPTER PLUG

D. 363,270 10/1995 Bluen D13/146
5,387,116 2/1995 Wang 439/620 X

[75] Inventors: **Imraan Ahmed**, Rancho Palos Verdes;
Jeff Bluen, Studio City; **Paul Sauer**,
Los Angeles, all of Calif.

Primary Examiner—Joel Sincavage
Attorney, Agent, or Firm—Kathy Mojibi

[73] Assignee: **Aura Systems, Inc.**, El Segundo, Calif.

[57] CLAIM

[**] Term: 14 Years

The ornamental design for an adapter plug, as shown.

[21] Appl. No.: 45,994

DESCRIPTION

[22] Filed: Nov. 3, 1995

FIG. 1 is a perspective view of the front, left and of the adapter plug;

[51] LOC (6) Cl. 13-03

FIG. 2 is a front elevational view of the adapter plug;

[52] U.S. Cl. D13/146

FIG. 3 is a bottom plan view of the adapter plug;

[58] Field of Search D13/146, 147;
439/67, 607, 620, 639; 361/683, 686

FIG. 4 is a top plan view of the adapter plug;

FIG. 5 is a rear elevational view of the adapter plug;

[56] References Cited

FIG. 6 is a left side elevational view of the adapter plug; and

FIG. 7 is a right side elevational view of the adapter plug.

U.S. PATENT DOCUMENTS

D. 341,817 11/1993 Huang D13/147

1 Claim, 4 Drawing Sheets

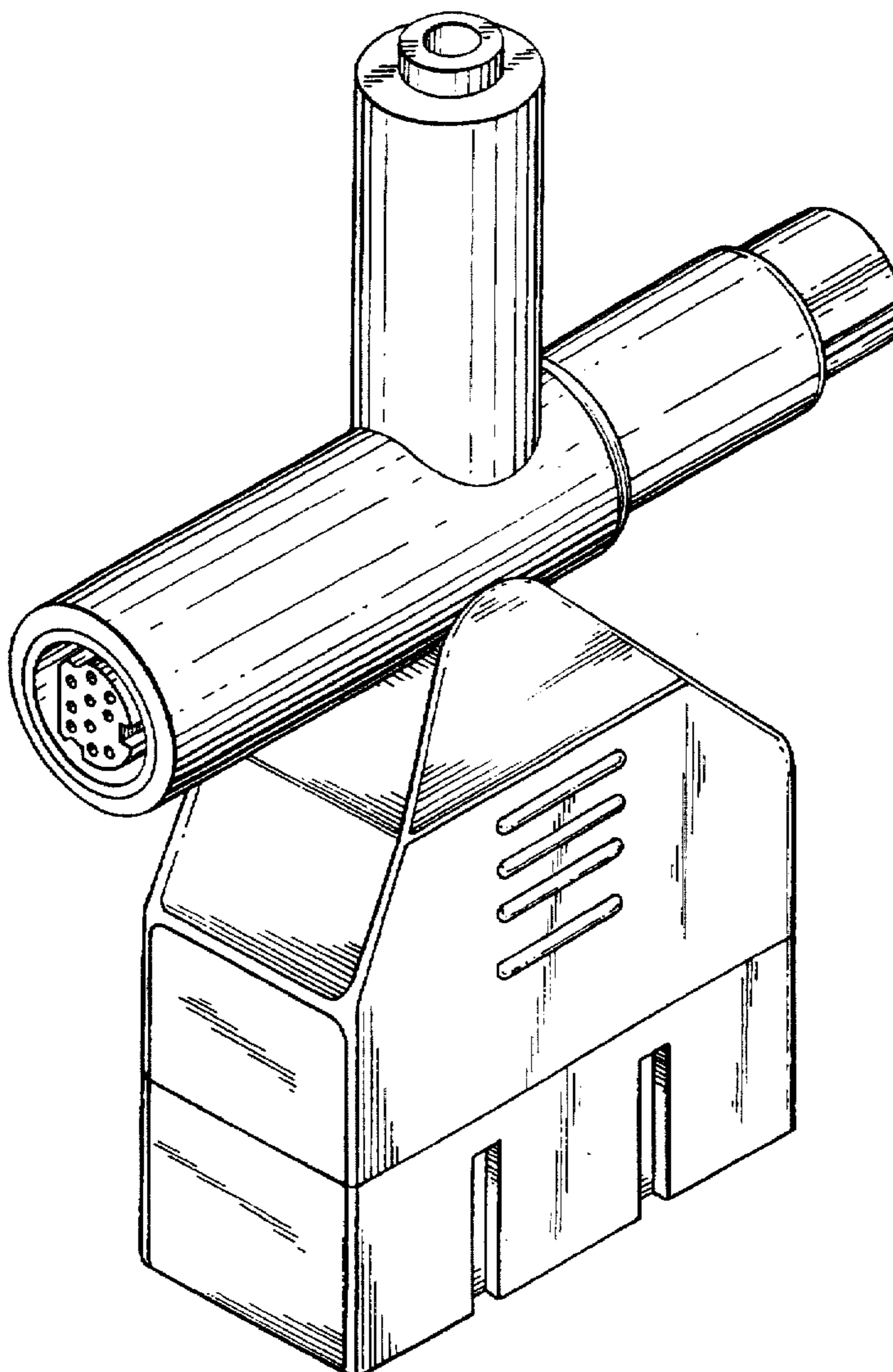


FIG. 1

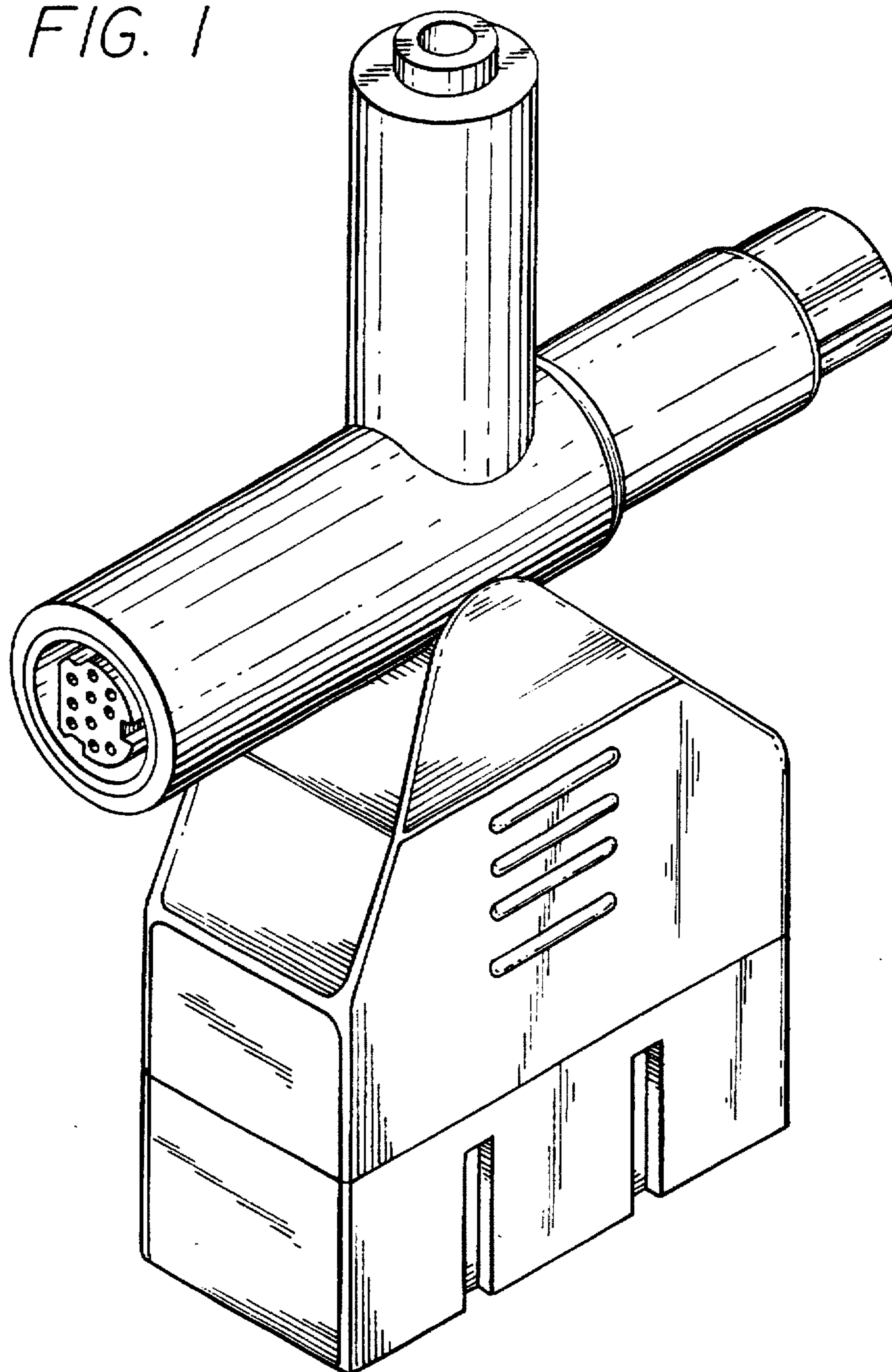


FIG. 2

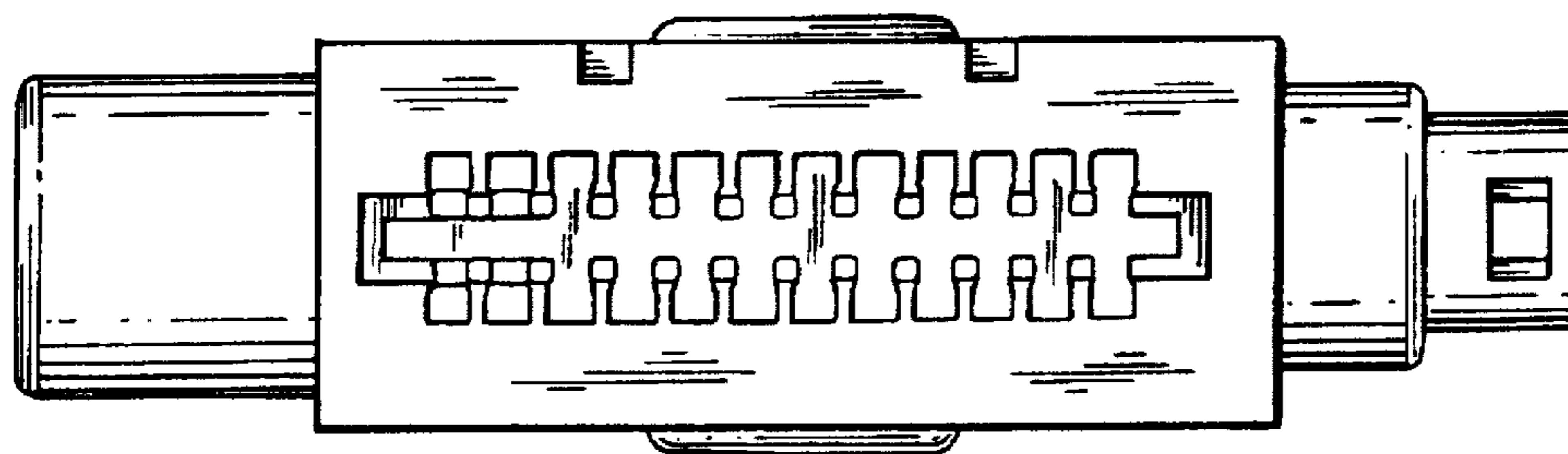
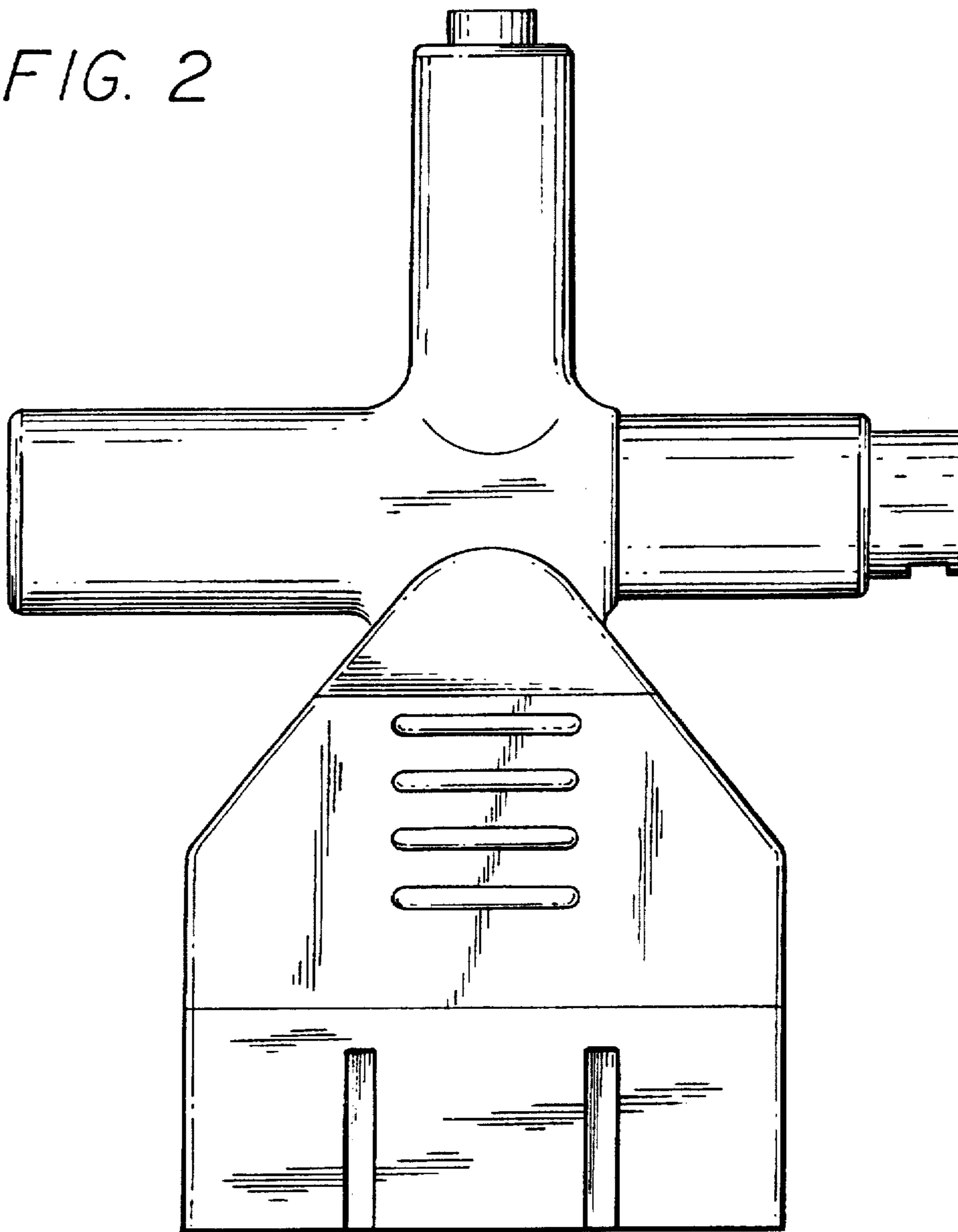


FIG. 3

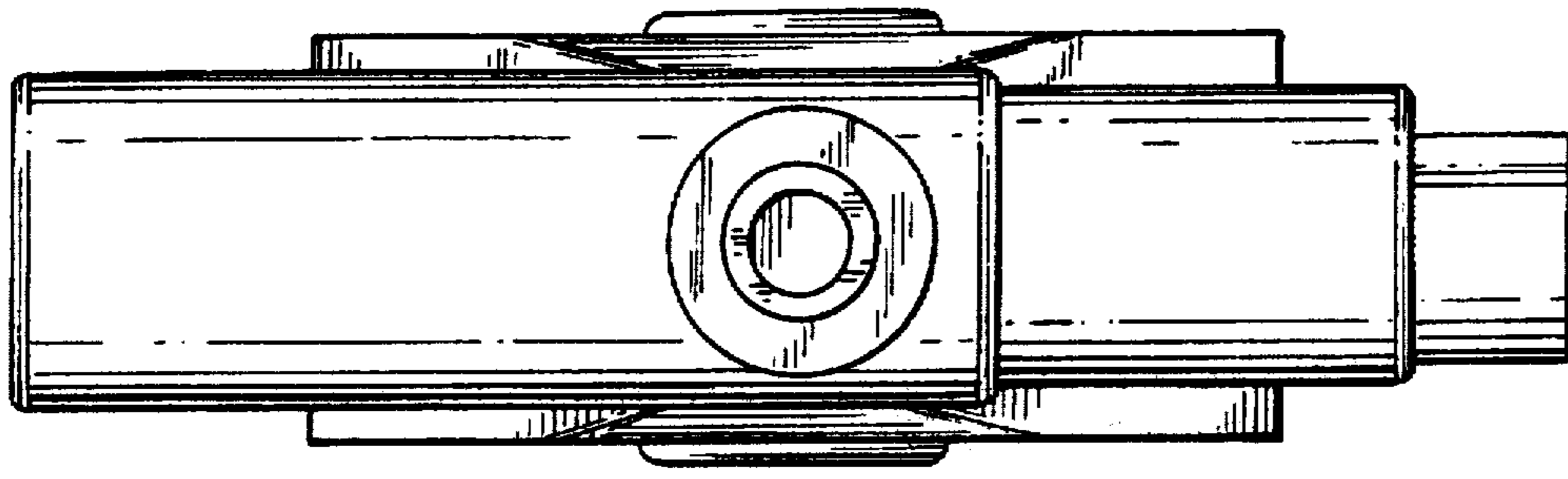


FIG. 4

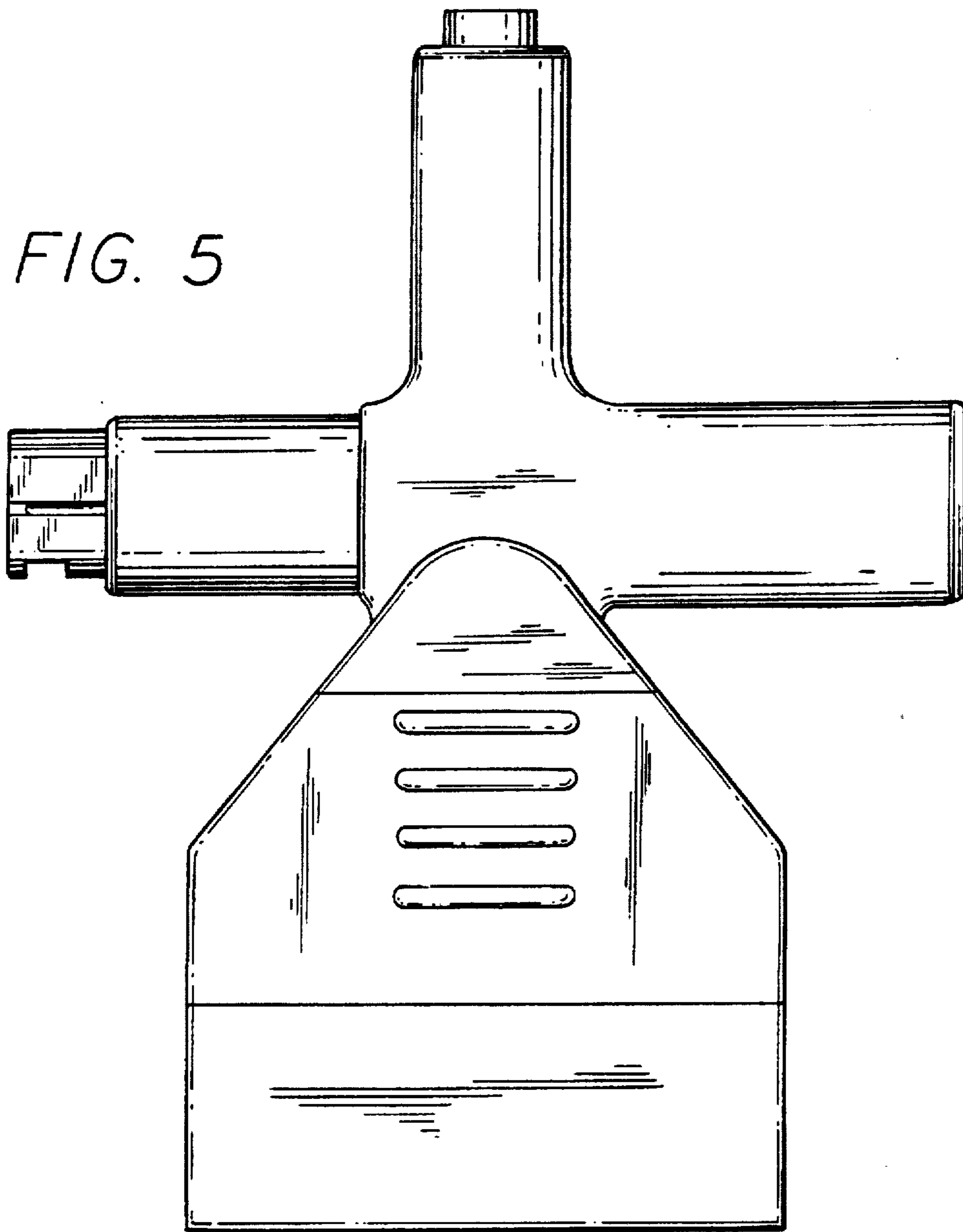


FIG. 5

FIG. 6

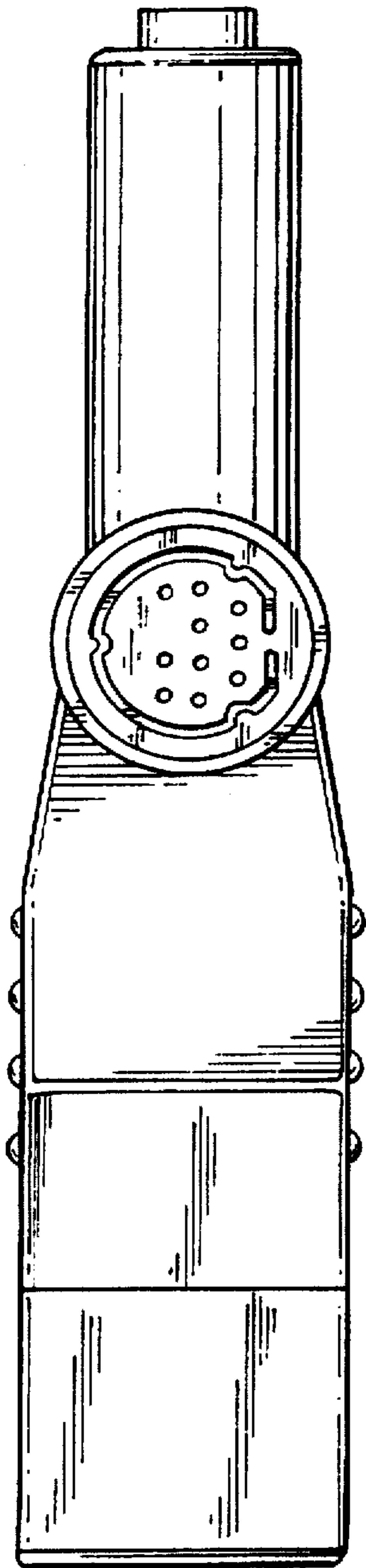
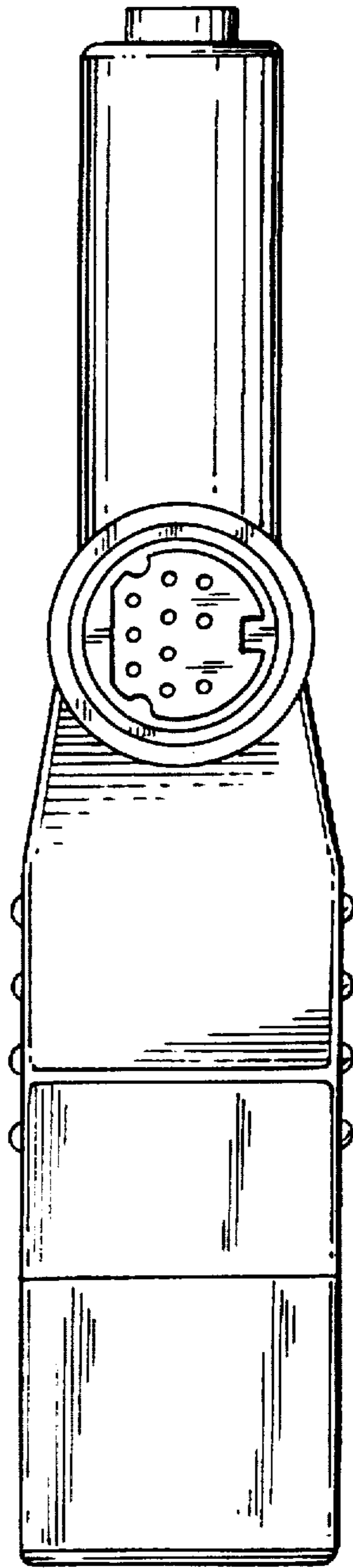


FIG. 7