



US00D393439S

# United States Patent [19]

Lagaay et al.

[11] Patent Number: Des. 393,439

[45] Date of Patent: \*\*Apr. 14, 1998

[54] PAIR OF AUTOMOBILE FRONT QUARTER PANEL EXTERIOR SURFACES

[75] Inventors: Harm Lagaay, Marbach; Grant Larson, Stuttgart, both of Germany

[73] Assignee: Dr. Ing., h.c.F. Porsche AG, Weissach, Germany

[\*\*] Term: 14 Years

[21] Appl. No.: 49,377

[22] Filed: Jan. 24, 1996

[30] Foreign Application Priority Data

Jul. 27, 1995 [DE] Germany ..... M 95 05 871.0

[51] LOC (6) Cl. .... 12-16

[52] U.S. Cl. .... D12/196

[58] Field of Search ..... D12/196, 184, D12/90-92; 296/185

[56] References Cited

U.S. PATENT DOCUMENTS

D. 356,757 3/1995 Lagaay et al. .... D12/92

OTHER PUBLICATIONS

Road & Track, Sep. 1995, p. 75, the front quarter panel exterior surface of the Porsche Boxster car.

Primary Examiner—Melody N. Brown

Attorney, Agent, or Firm—Evenson McKeown Edwards & Lenahan PLLC

[57] CLAIM

The ornamental design for a pair of automobile front quarter panel exterior surfaces, as shown and described.

DESCRIPTION

FIG. 1 is a top and side perspective view of the left front quarter panel exterior surface showing our new design;

FIG. 2 is a top and side perspective view of the right front quarter panel exterior surface;

FIG. 3 is a side elevational view of the left front quarter panel exterior surface;

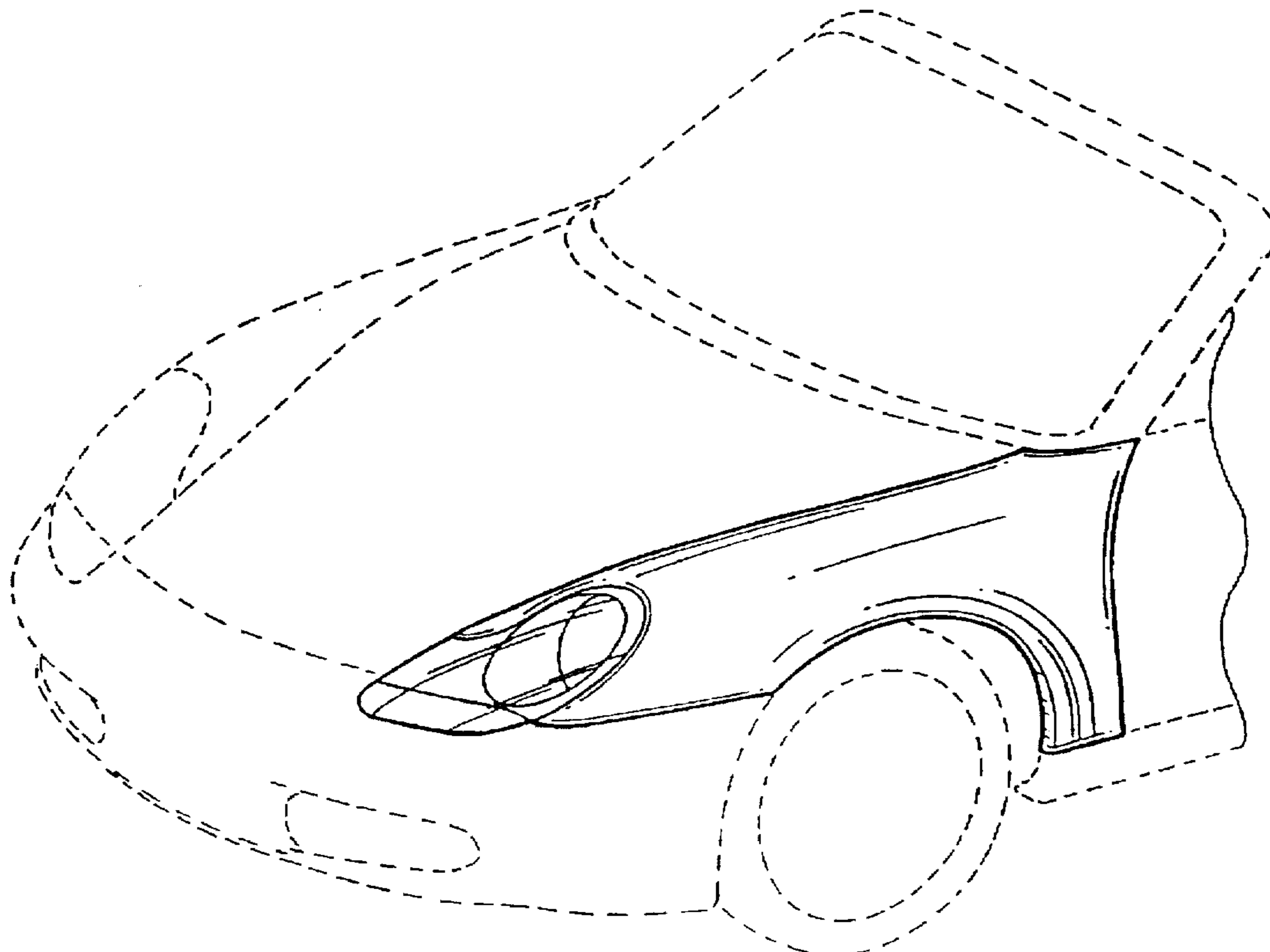
FIG. 4 is a side elevational view of the right front quarter panel exterior surface;

FIG. 5 is a front elevational view of the left front quarter panel exterior surface; and,

FIG. 6 is a front elevational view of the right front quarter panel exterior surface.

The dash line showing of adjacent automobile parts is only for showing the surrounding environment and is not part of the claimed design.

1 Claim, 3 Drawing Sheets



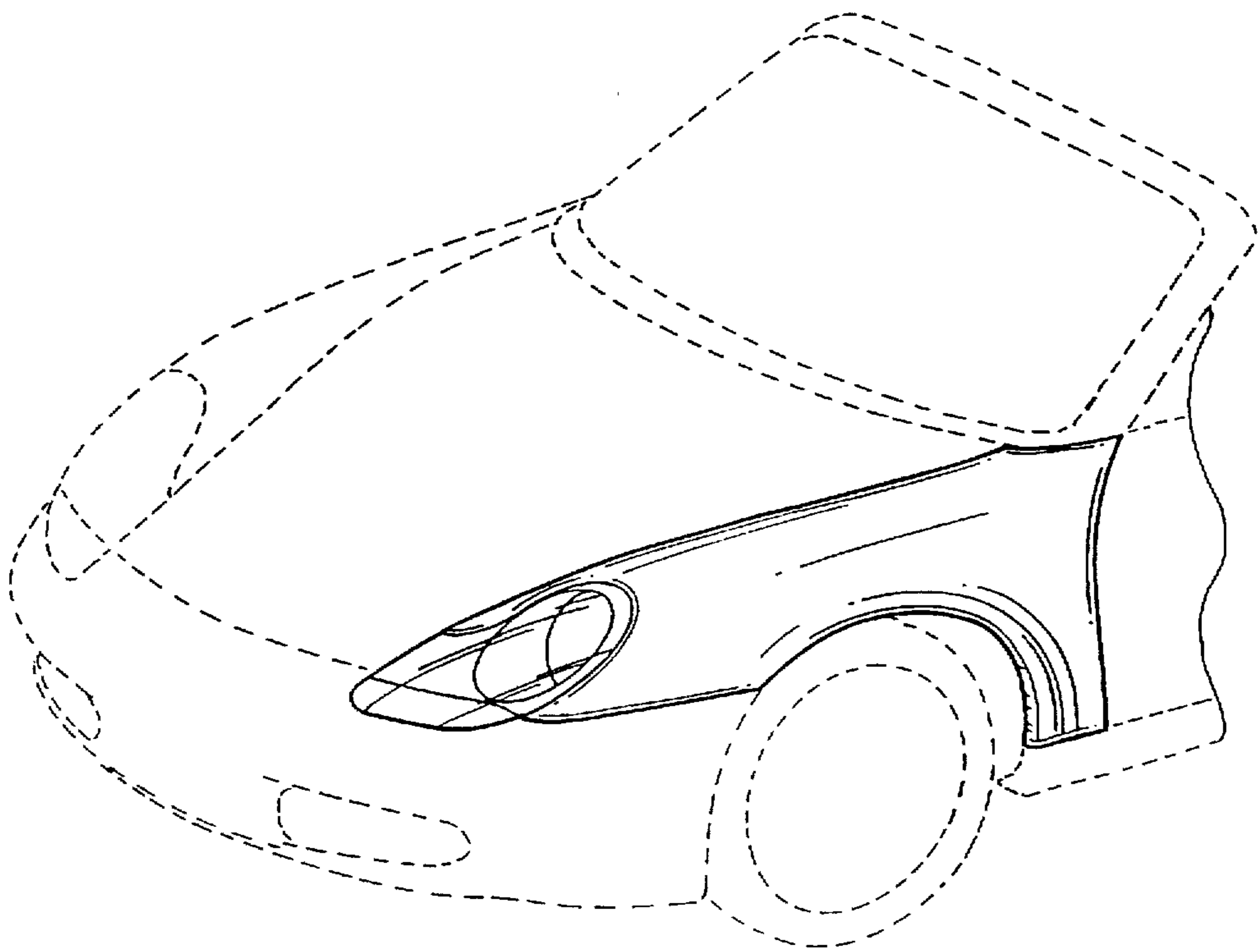
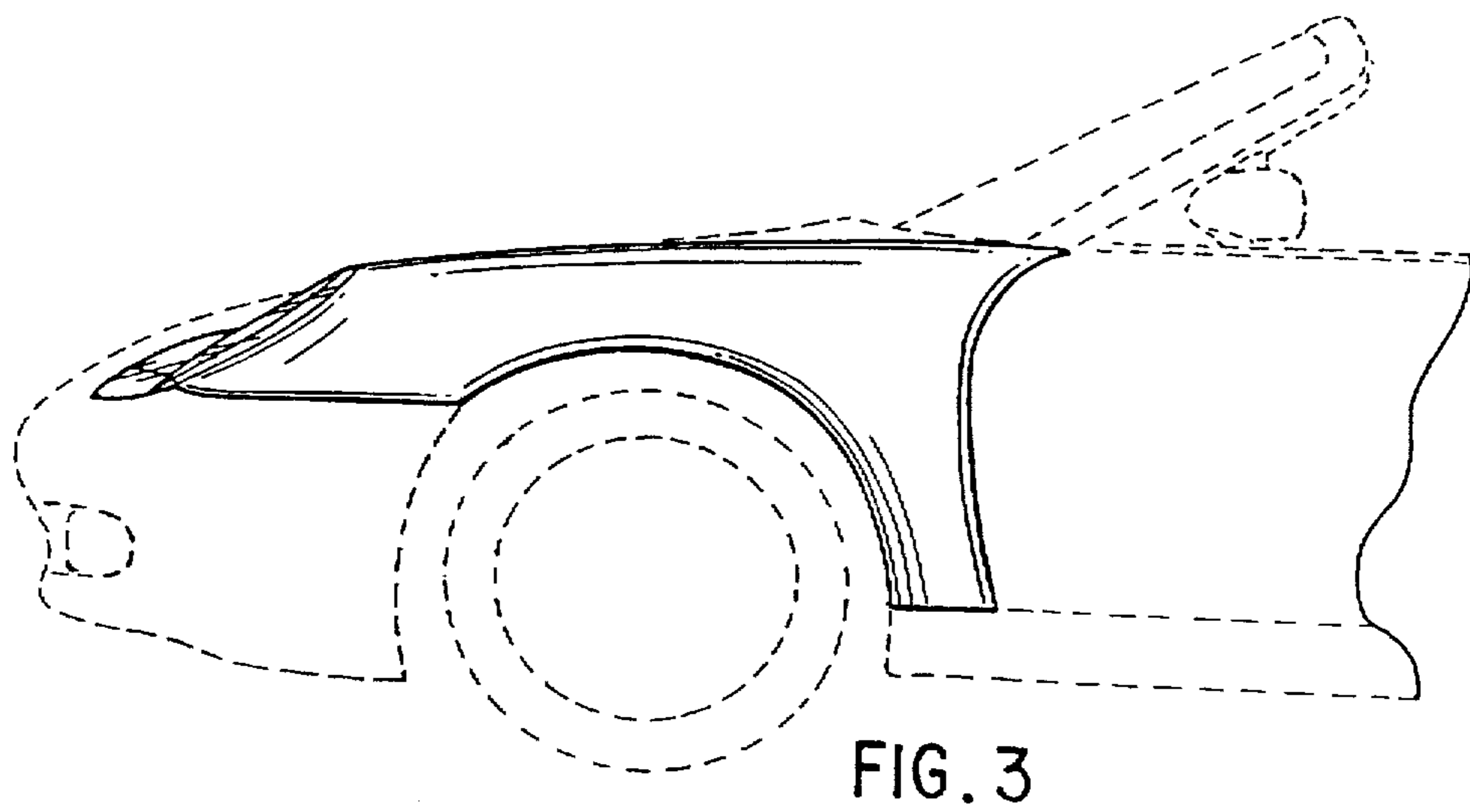
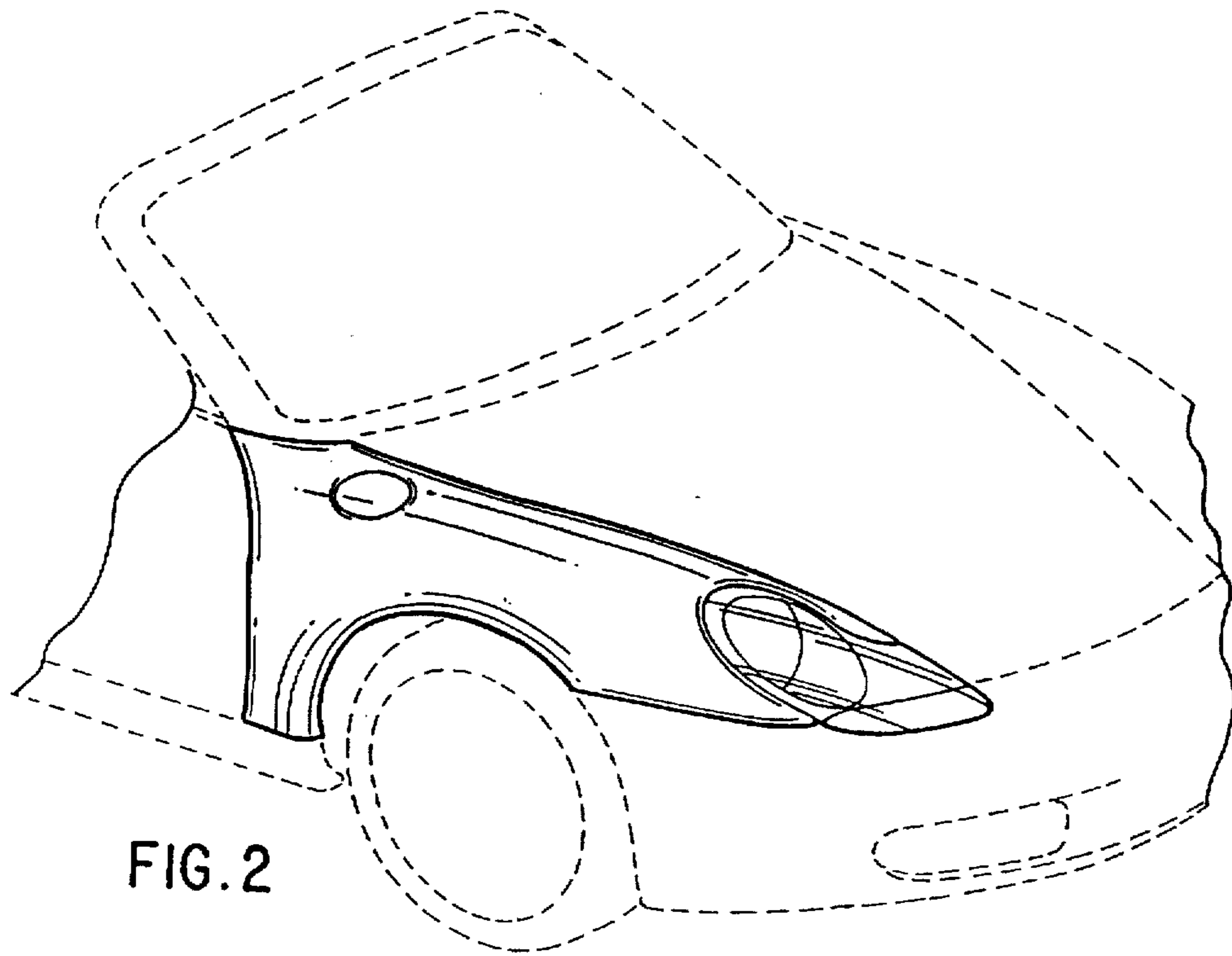


FIG. 1



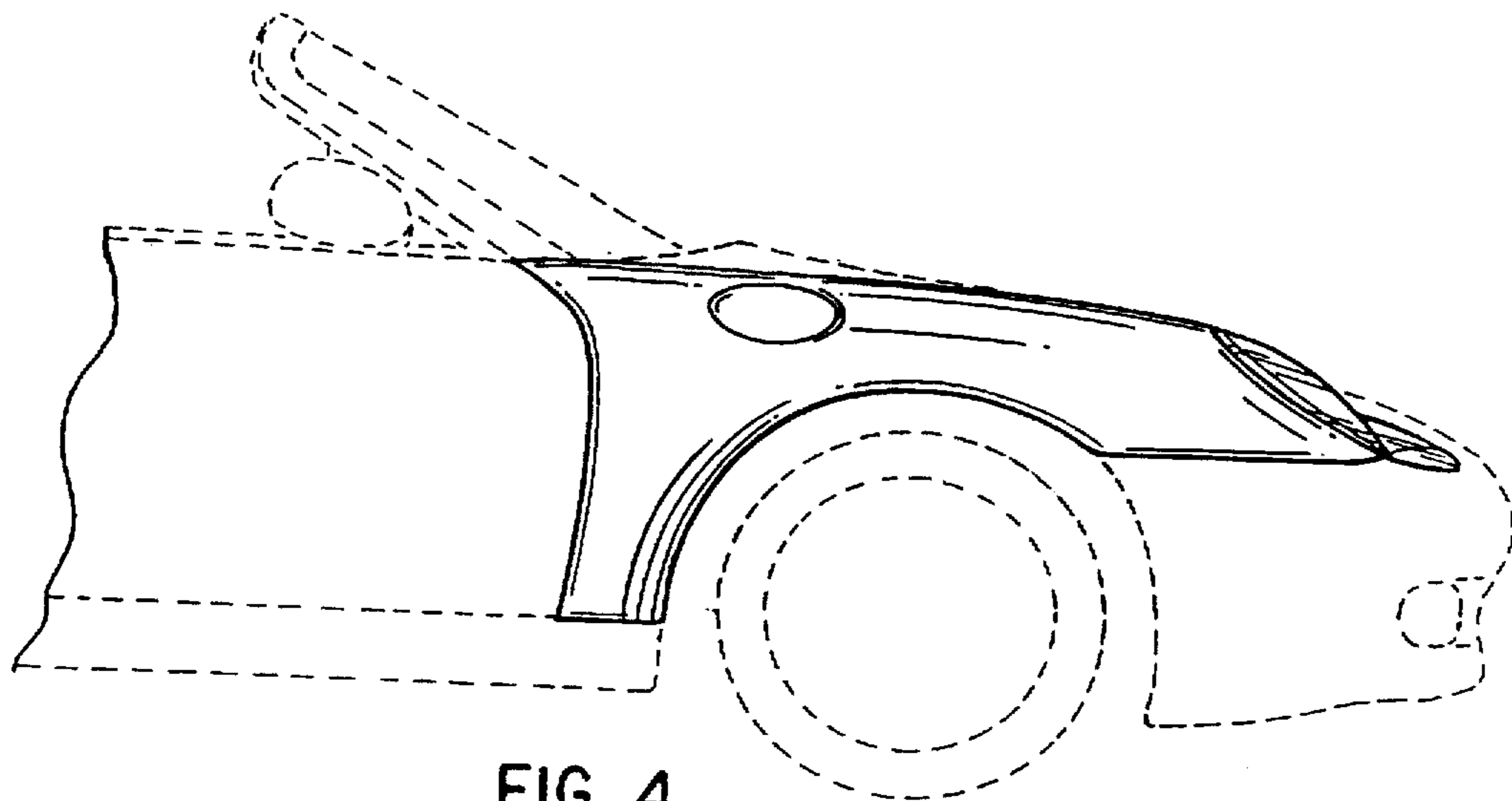


FIG. 4

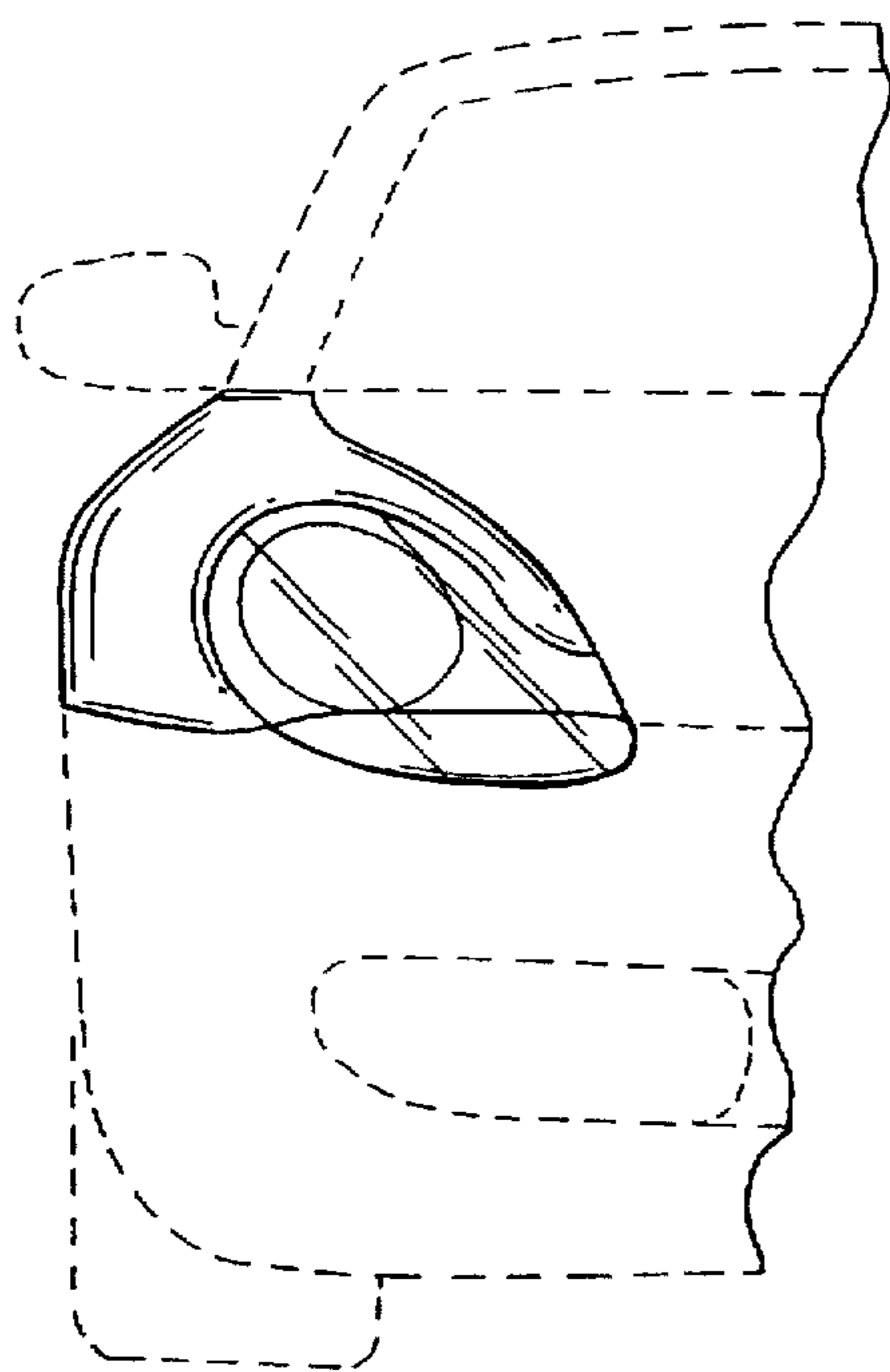


FIG. 5

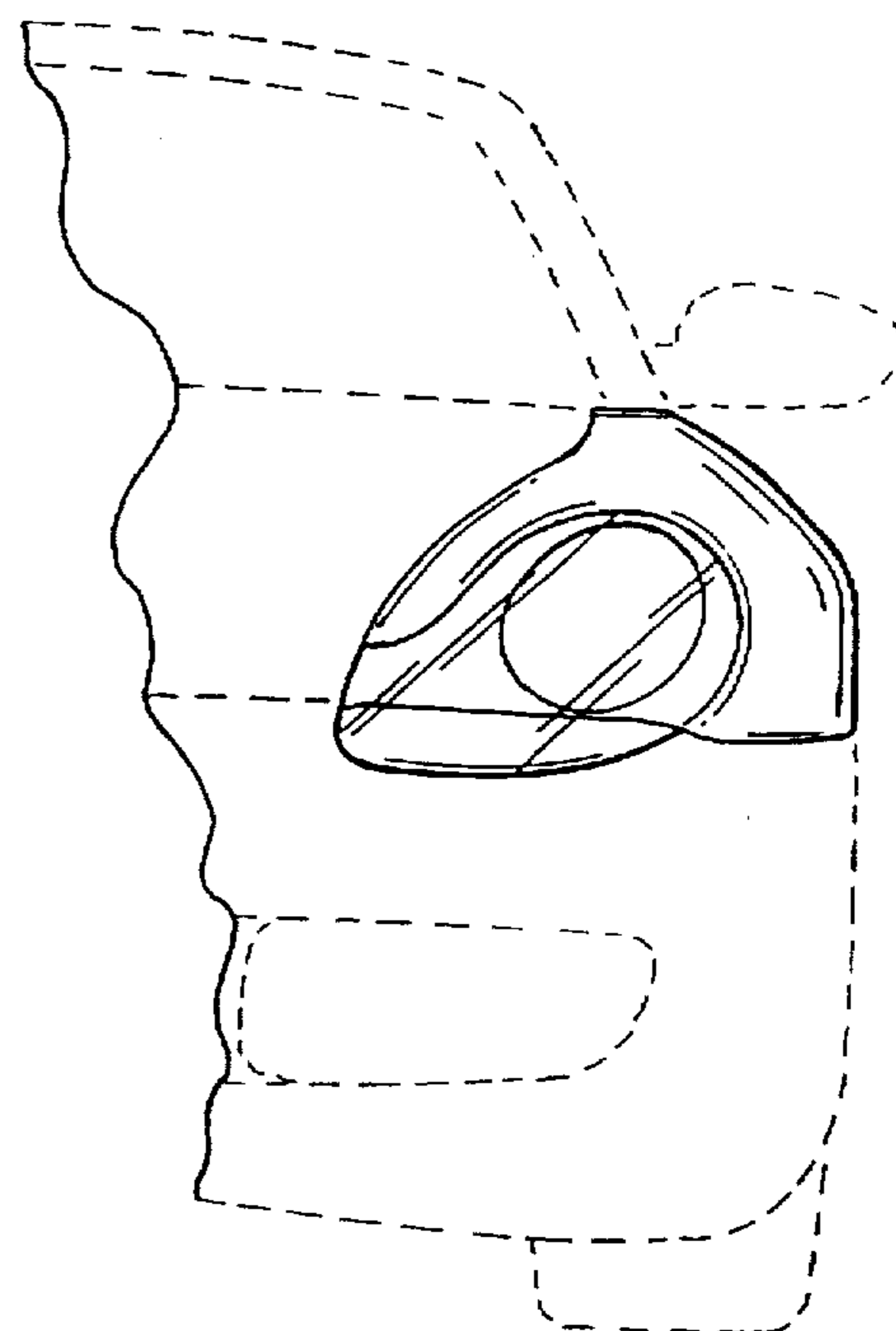


FIG. 6