



US00D393438S

United States Patent [19]
Cartwright

[11] **Patent Number: Des. 393,438**
[45] **Date of Patent: **Apr. 14, 1998**

[54] **BICYCLE HANDLE BAR**

[76] **Inventor: Ulysses Cartwright, 3933 Horizon Pl., Ft. Worth, Tex. 76133**

[**] **Term: 14 Years**

[21] **Appl. No.: 61,504**

[22] **Filed: Oct. 25, 1996**

[51] **LOC (6) Cl. 12-16**

[52] **U.S. Cl. D12/178**

[58] **Field of Search D12/178, 114; 74/551.1, 551.3, 551.7-551.9**

[56] **References Cited**

U.S. PATENT DOCUMENTS

D. 263,293	3/1982	Janson	D12/178
D. 315,132	3/1991	Lance	D12/178
D. 316,071	4/1991	McMurtney	D12/178
5,425,285	6/1995	Chen	74/551.8

OTHER PUBLICATIONS

Colorado Cyclist, p. 39, the Salsa G0-Moto Bar & Profile Re-Enforcer Bar. Summer 1996.

Primary Examiner—Melody N. Brown
Attorney, Agent, or Firm—Goldstein & Associates

[57] **CLAIM**

The ornamental design for a bicycle handle bar, as shown and described.

DESCRIPTION

FIG. 1 is a diagrammatic perspective view of a bicycle handle bar;

FIG. 2 is a front elevational view thereof;

FIG. 3 is a rear elevational view thereof;

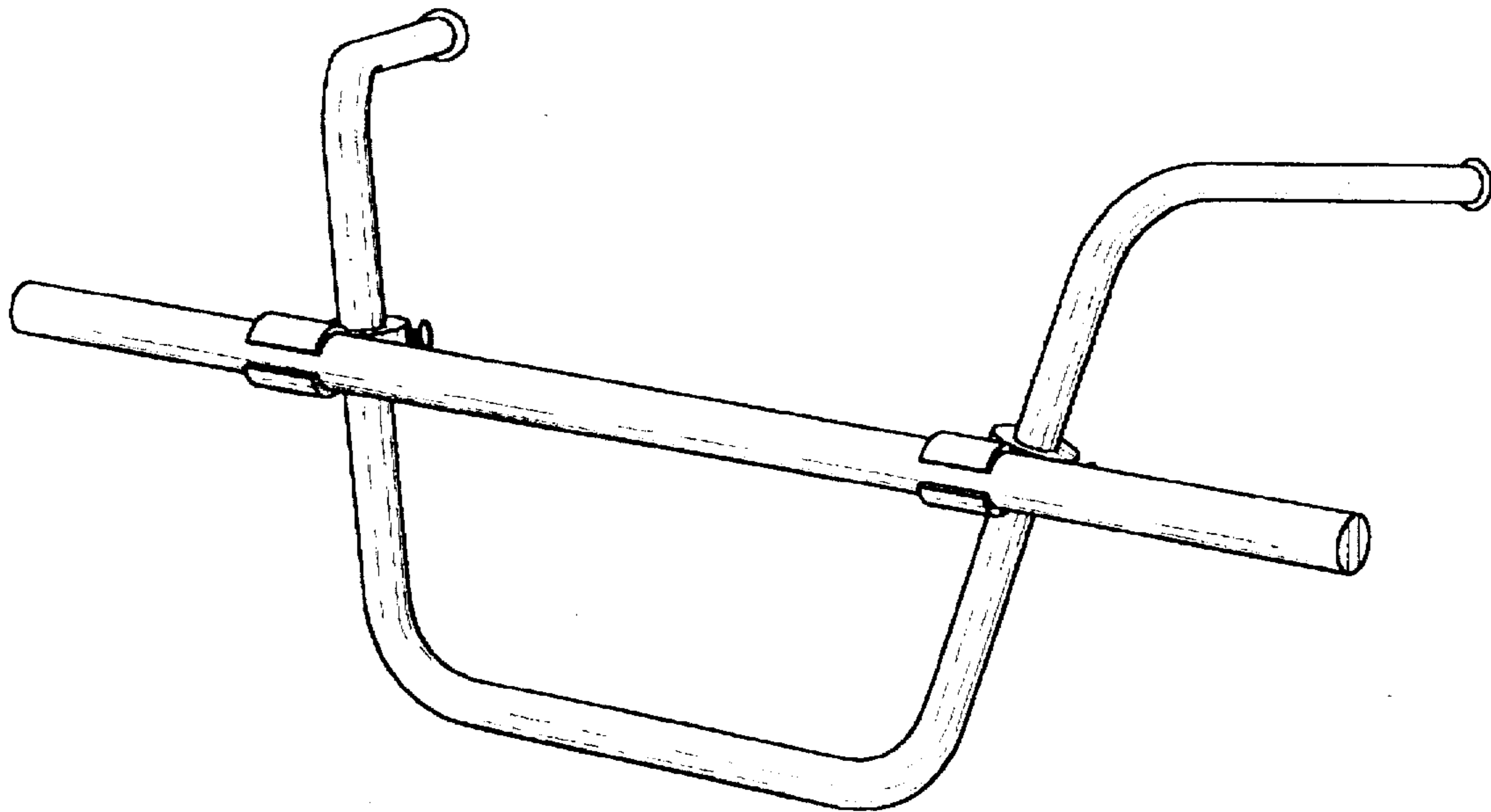
FIG. 4 is a top plan view of the bicycle handle bar per se;

FIG. 5 is a bottom plan view thereof;

FIG. 6 is a right side elevational view thereof; and,

FIG. 7 is a left side elevational view thereof.

1 Claim, 2 Drawing Sheets



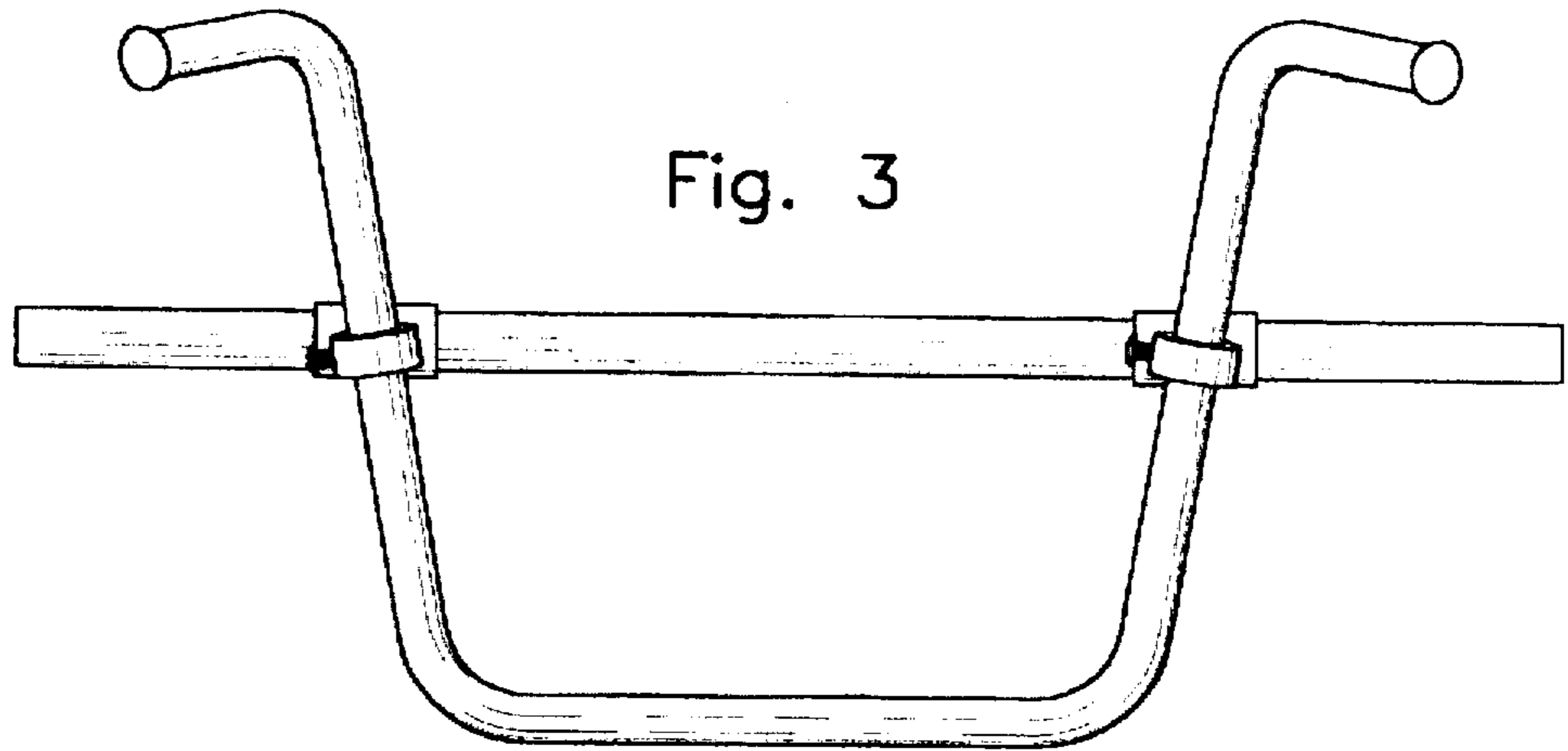
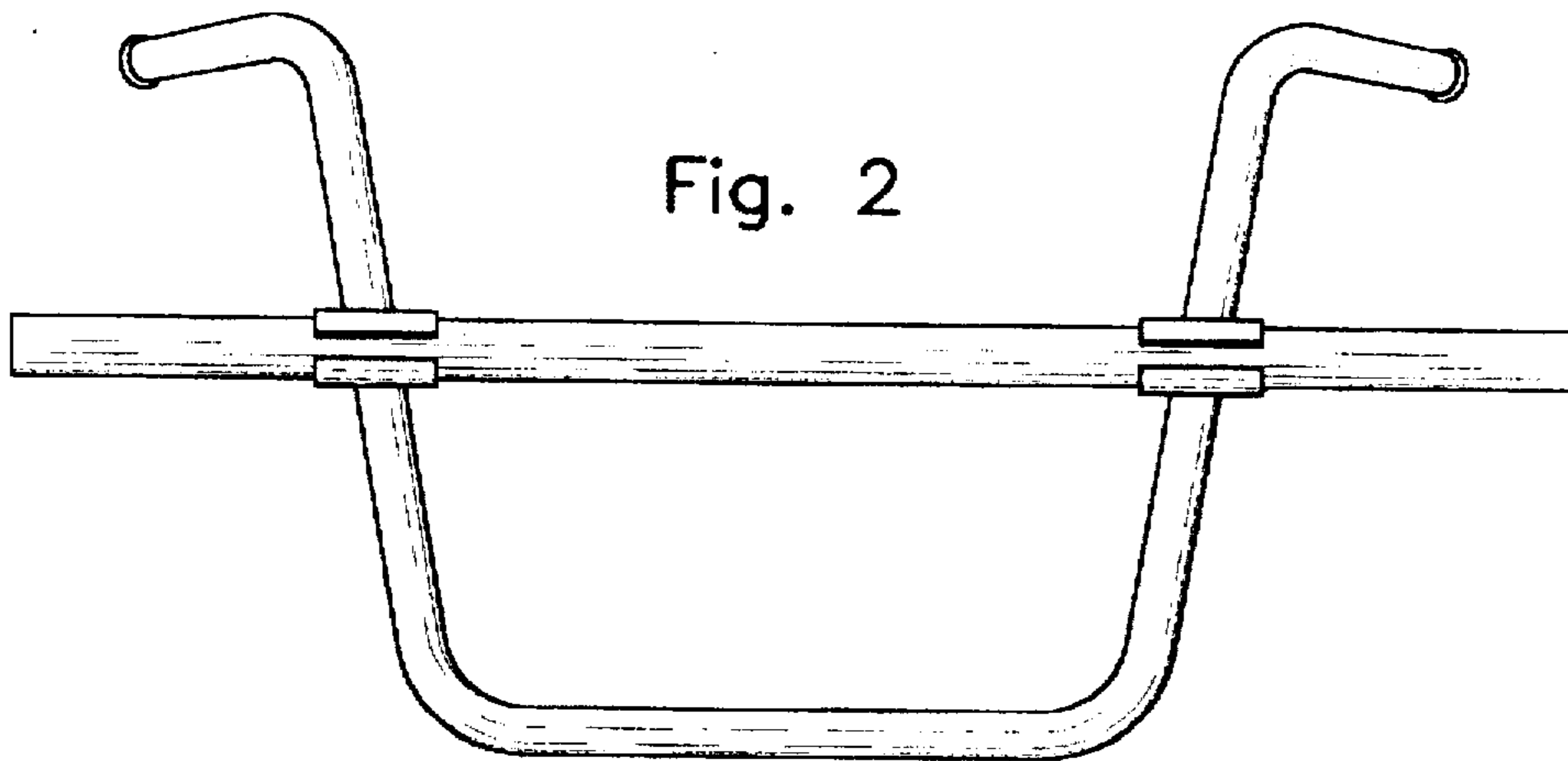
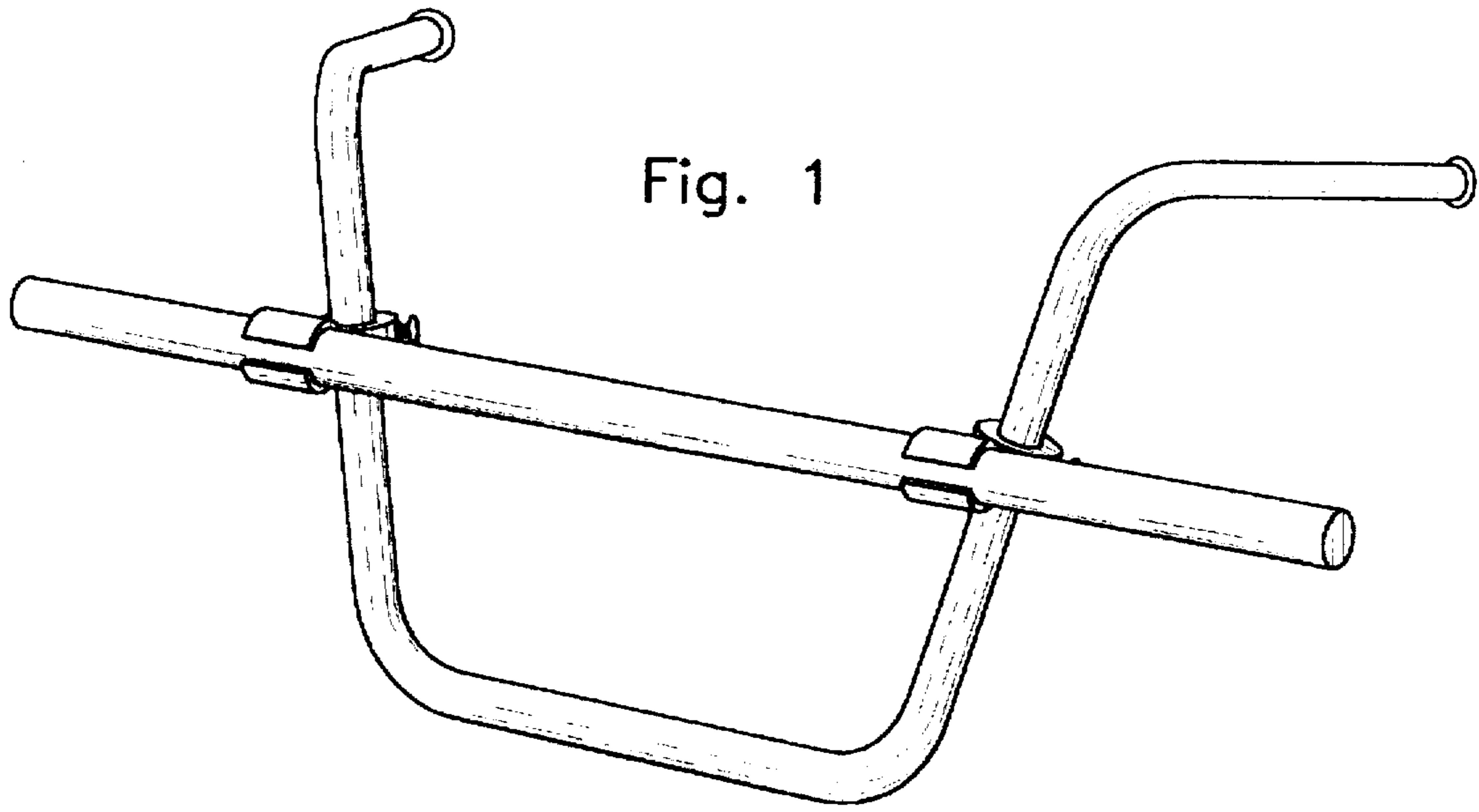


Fig. 4

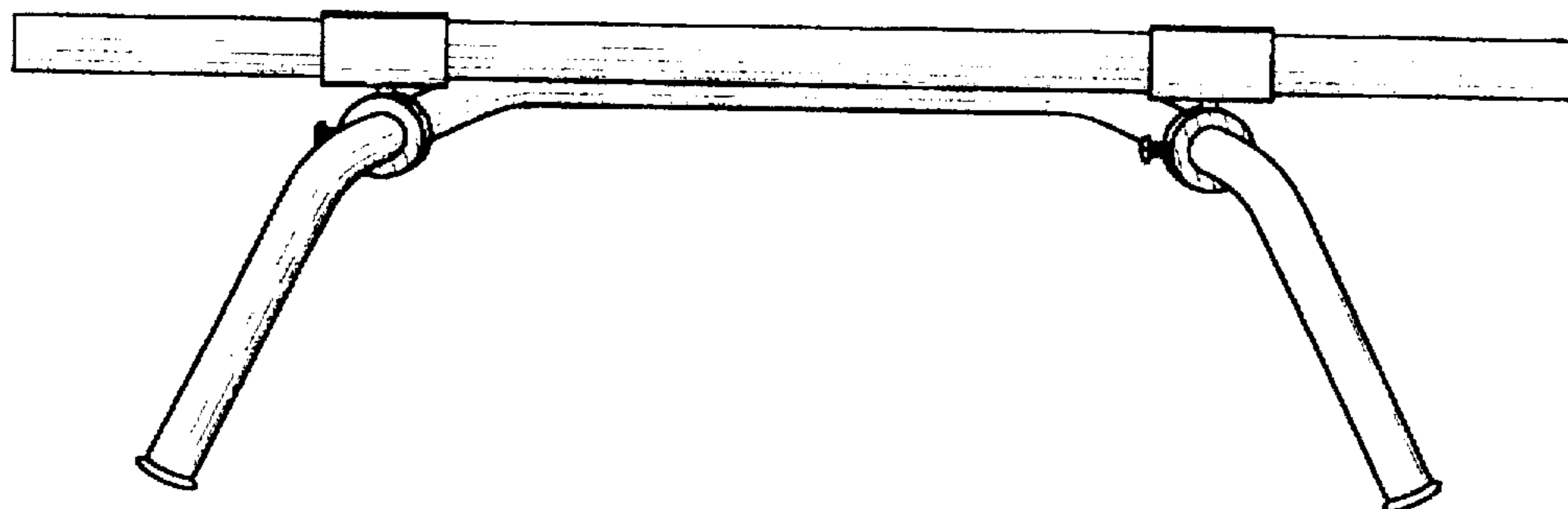


Fig. 5

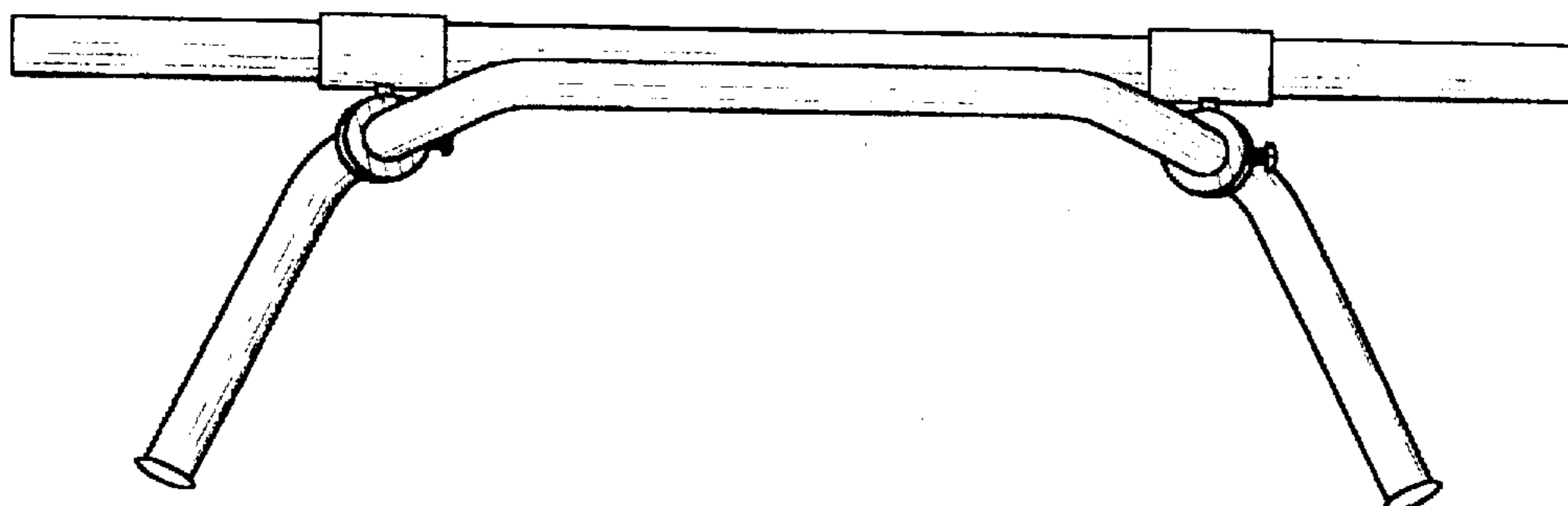


Fig. 6

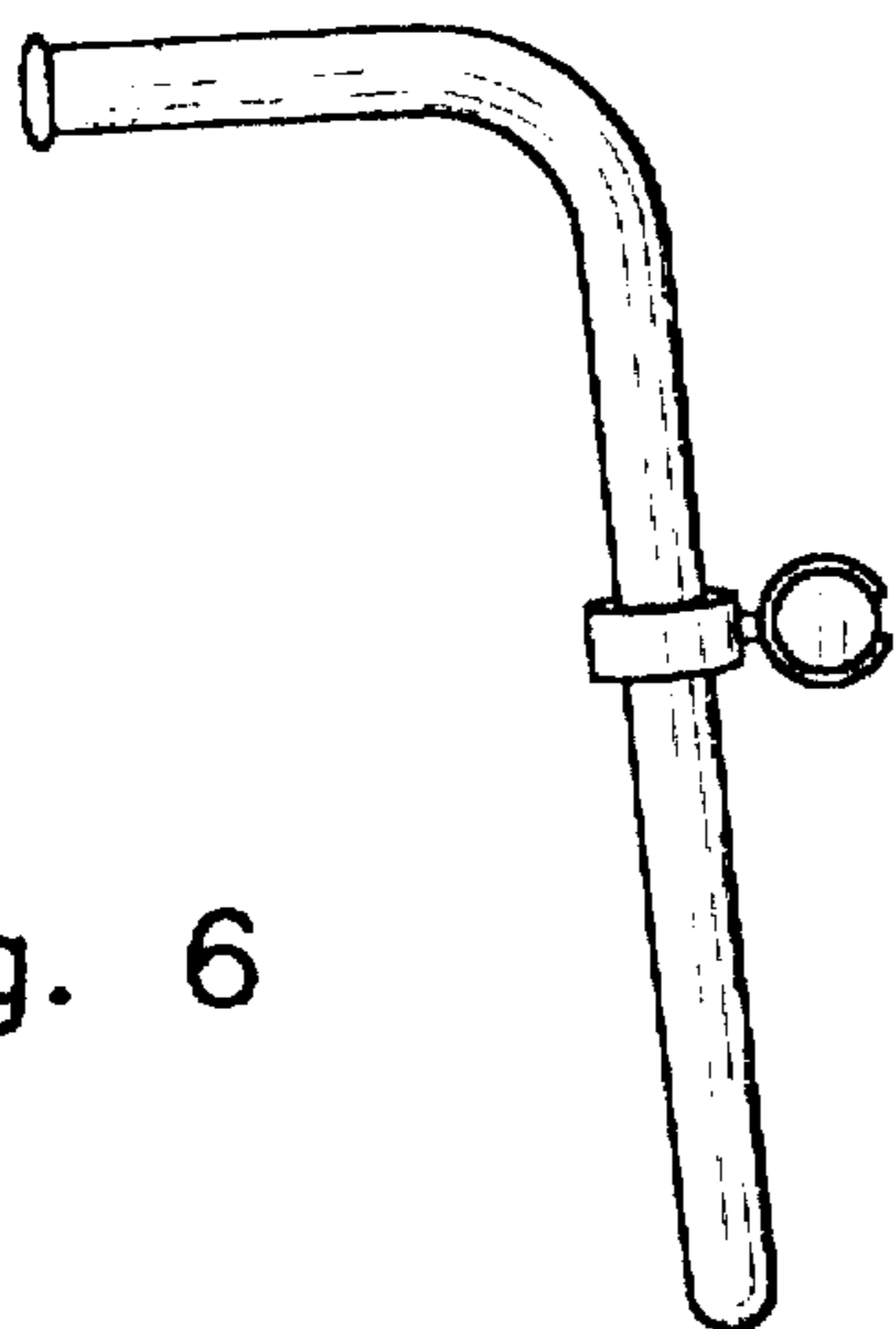


Fig. 7

