



US00D393431S

United States Patent [19]
Kawamura

[11] **Patent Number:** **Des. 393,431**
[45] **Date of Patent:** ****Apr. 14, 1998**

[54] **SLIDER BODY FOR SLIDE FASTENERS**

[75] **Inventor:** **Ryoji Kawamura**, Toyama, Japan

[73] **Assignee:** **YKK Corporation**, Tokyo, Japan

[**] **Term:** **14 Years**

[21] **Appl. No.:** **52,461**

[22] **Filed:** **Mar. 26, 1996**

[30] **Foreign Application Priority Data**

Sep. 26, 1995 [JP] Japan 7-28574
Dec. 25, 1995 [JP] Japan 7-38597

[51] **LOC (6) Cl.** **02-07**

[52] **U.S. Cl.** **D11/221**

[58] **Field of Search** D11/200, 221;
24/381, 385, 415-417, 427-431; 70/456;
264/252

[56] **References Cited**

U.S. PATENT DOCUMENTS

D. 121,338 7/1940 Marinsky D11/221
D. 123,187 10/1940 Morin D11/221
D. 125,890 3/1941 Holland D11/221

Primary Examiner—Ralf Seifert
Attorney, Agent, or Firm—Hill, Steadman & Simpson

[57] **CLAIM**

A slider body for slide fasteners, as shown and described.

DESCRIPTION

FIG. 1 is a front elevational view of a slider body for slide fasteners showing my new design;

FIG. 2 is a rear elevational view;

FIG. 3 is a top plan view;

FIG. 4 is a bottom plan view;

FIG. 5 is a left side elevational view;

FIG. 6 is a right side elevational view;

FIG. 7 is a sectional view taken along the line VII—VII of FIG. 1;

FIG. 8 ; is a front elevational view of a slider body for slide fasteners showing a second embodiment of my new design;

FIG. 9 is a rear elevational view of FIG. 8;

FIG. 10 is a top plan view of FIG. 8;

FIG. 11 is a bottom plan view of FIG. 8;

FIG. 12 is a left side elevational view of FIG. 8;

FIG. 13 is a right side elevational view of FIG. 8; and,

FIG. 14 is a sectional view taken along the line XIV—XIV of FIG. 8.

1 Claim, 4 Drawing Sheets

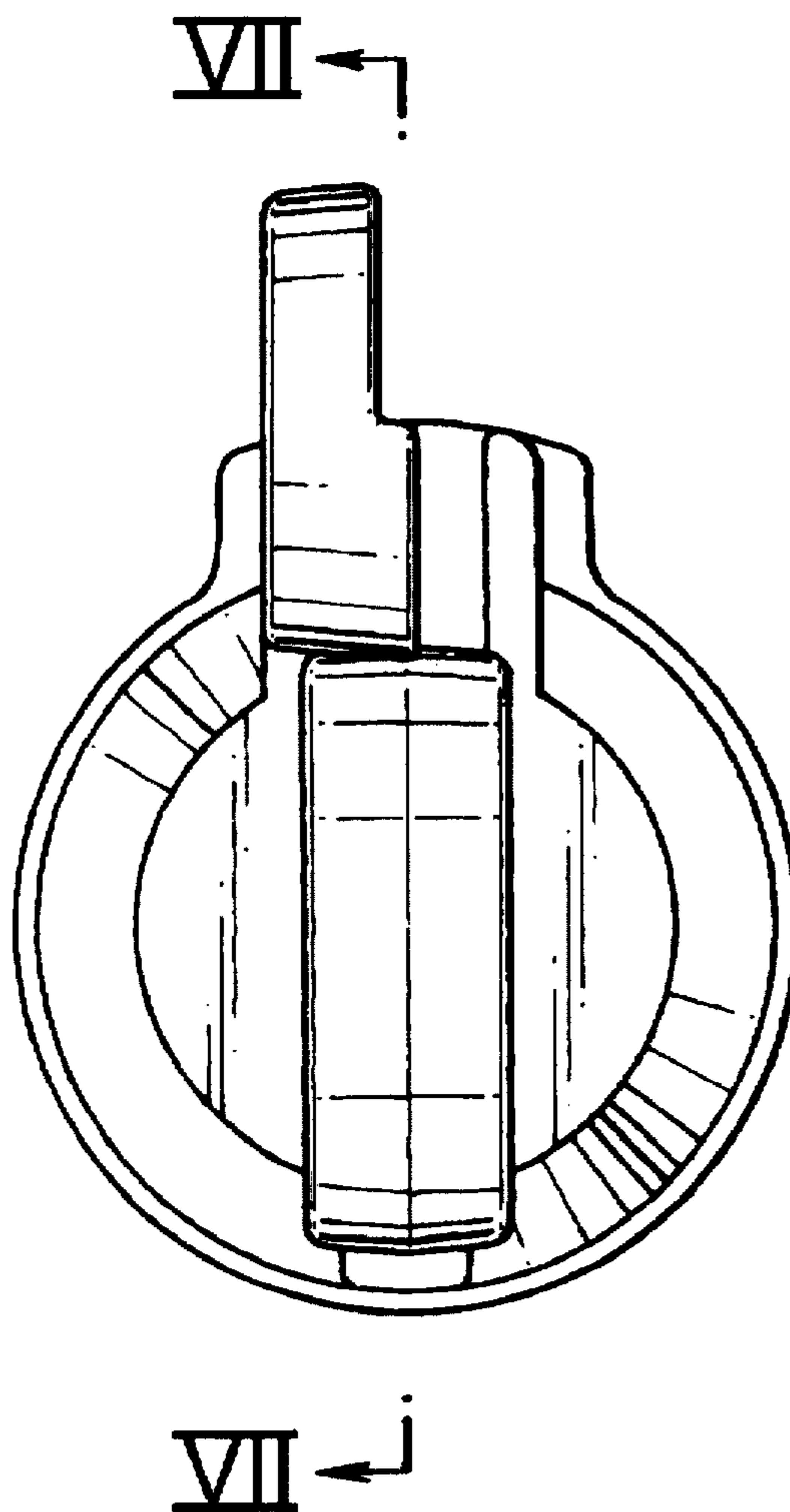


FIG. 1

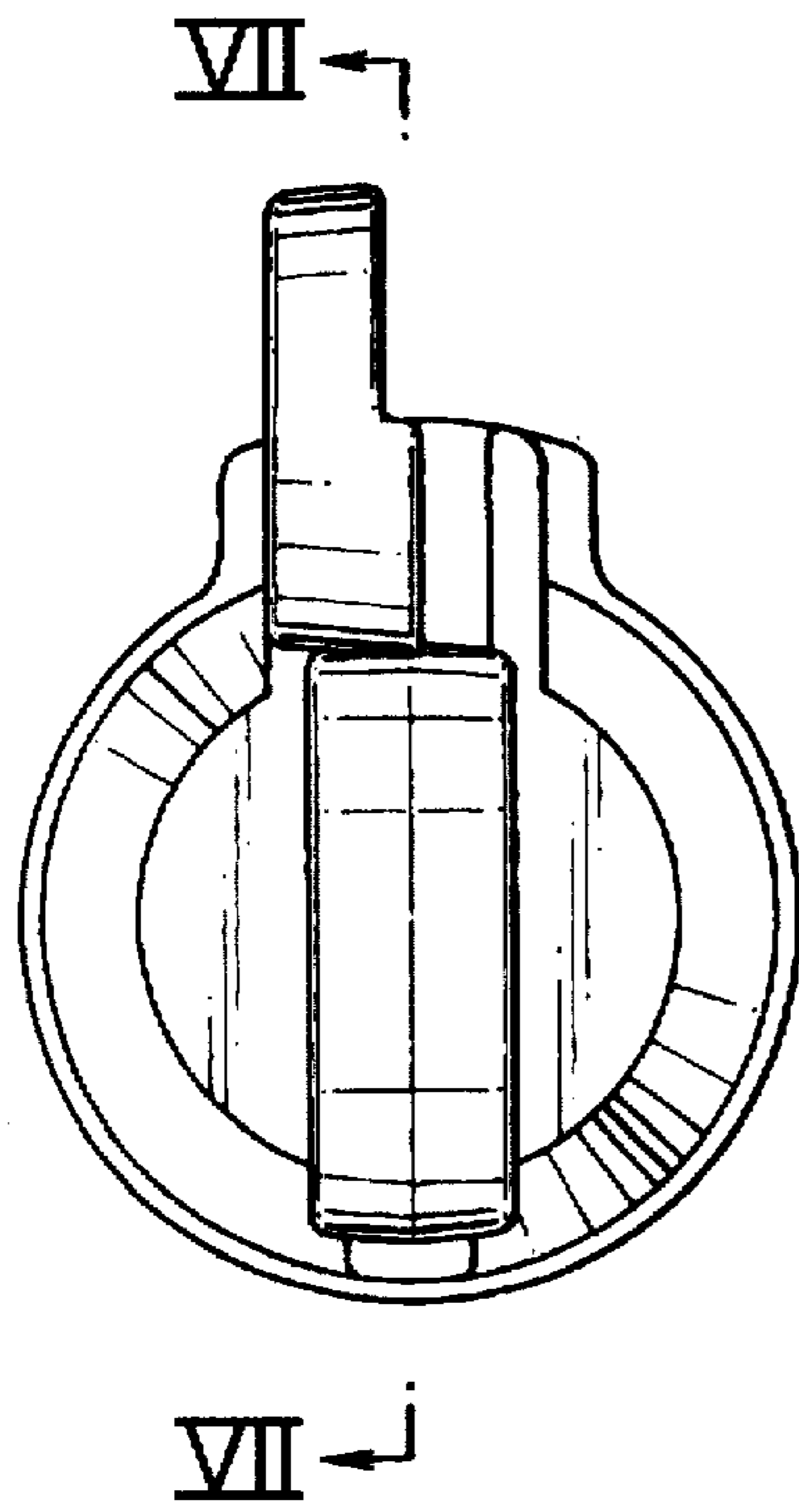


FIG. 2

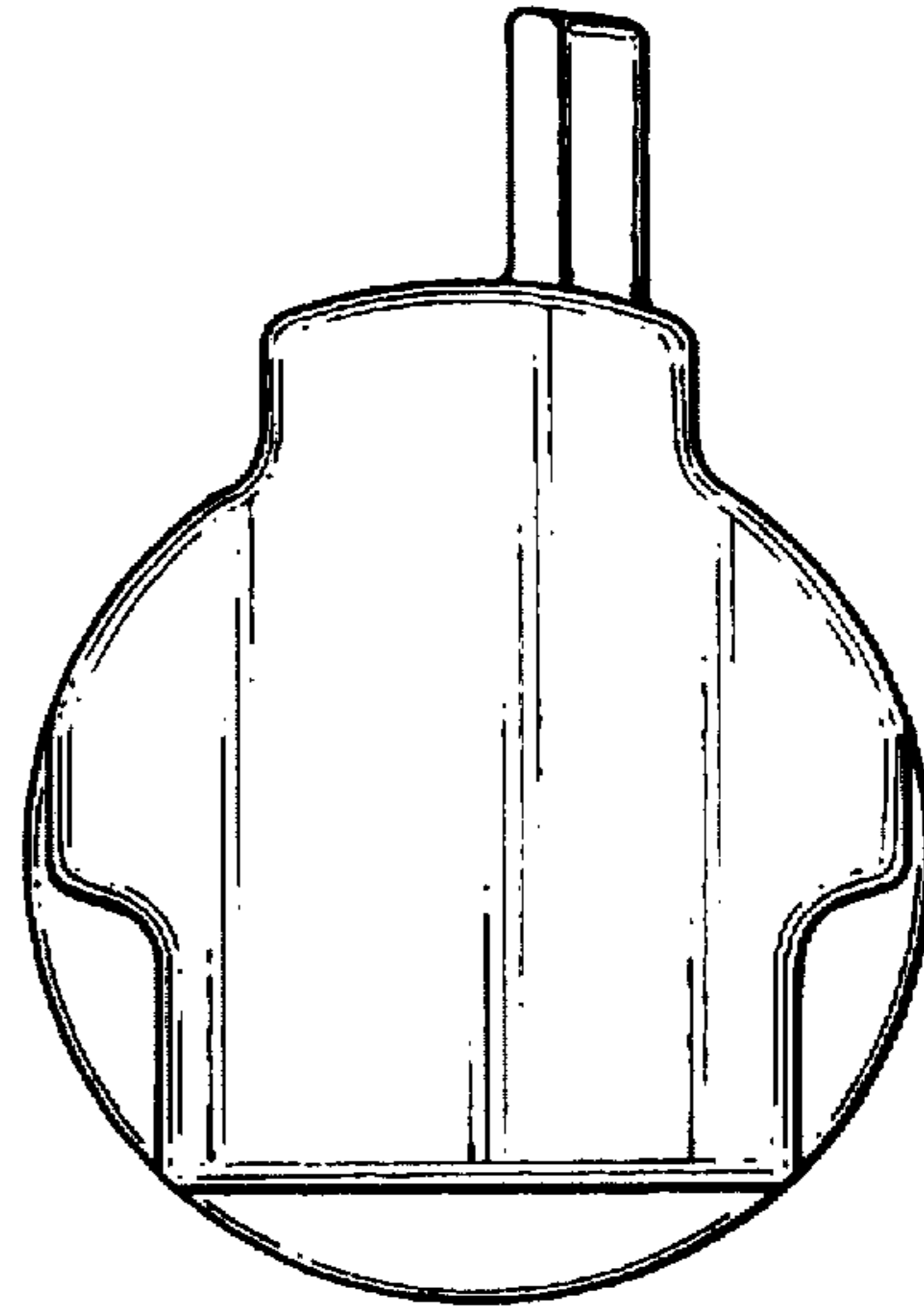


FIG. 4

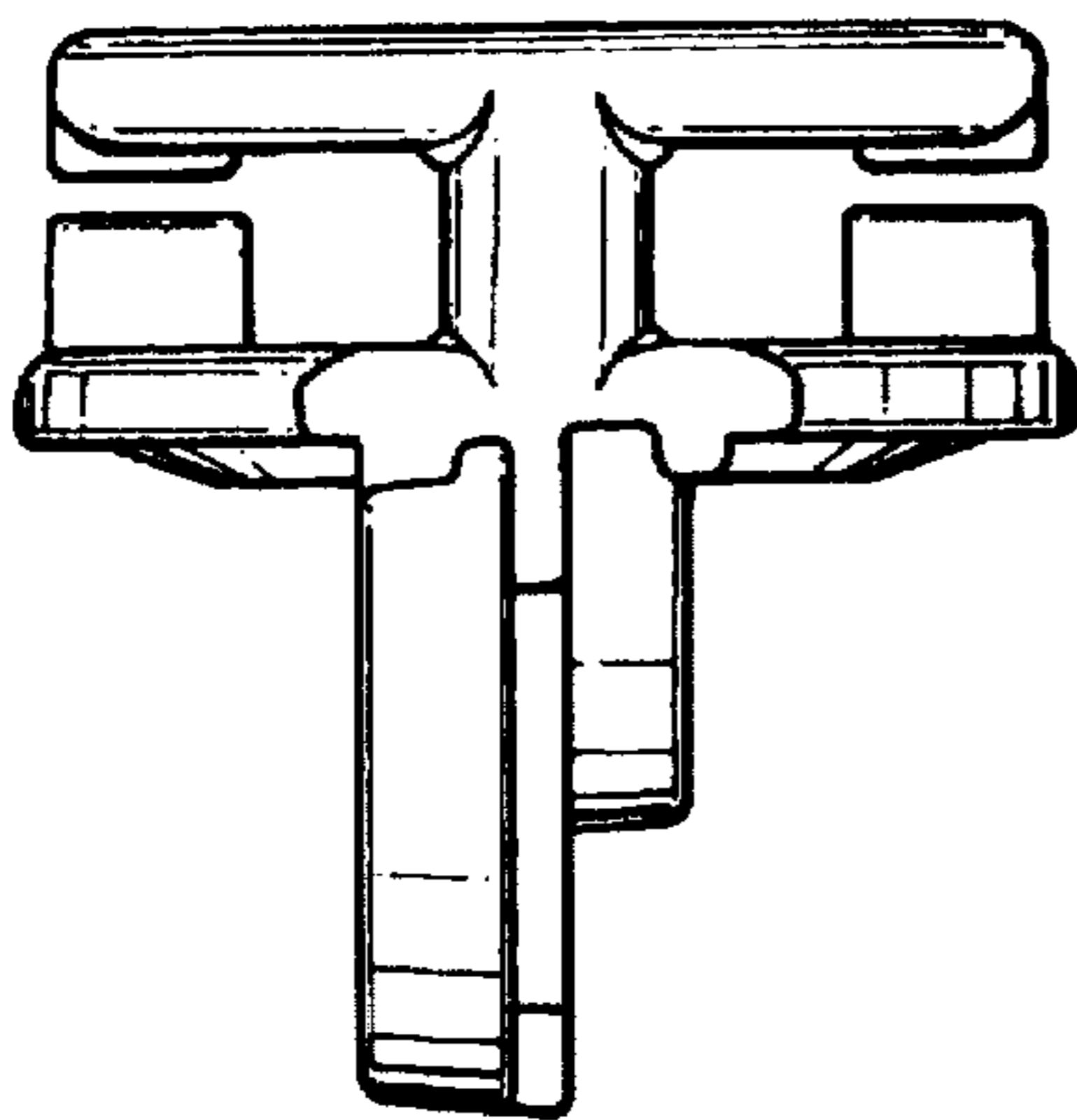


FIG. 3

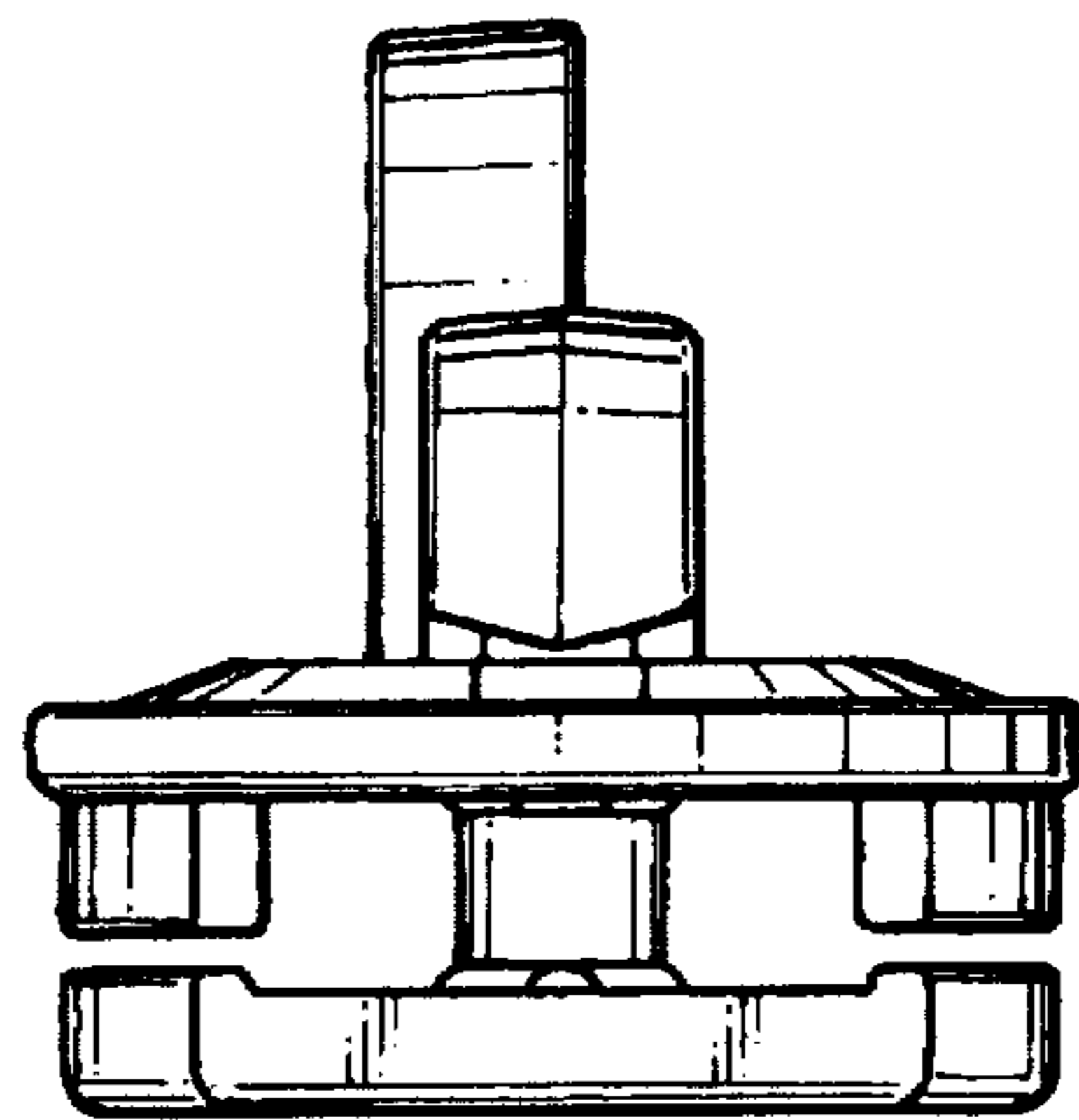


FIG. 5

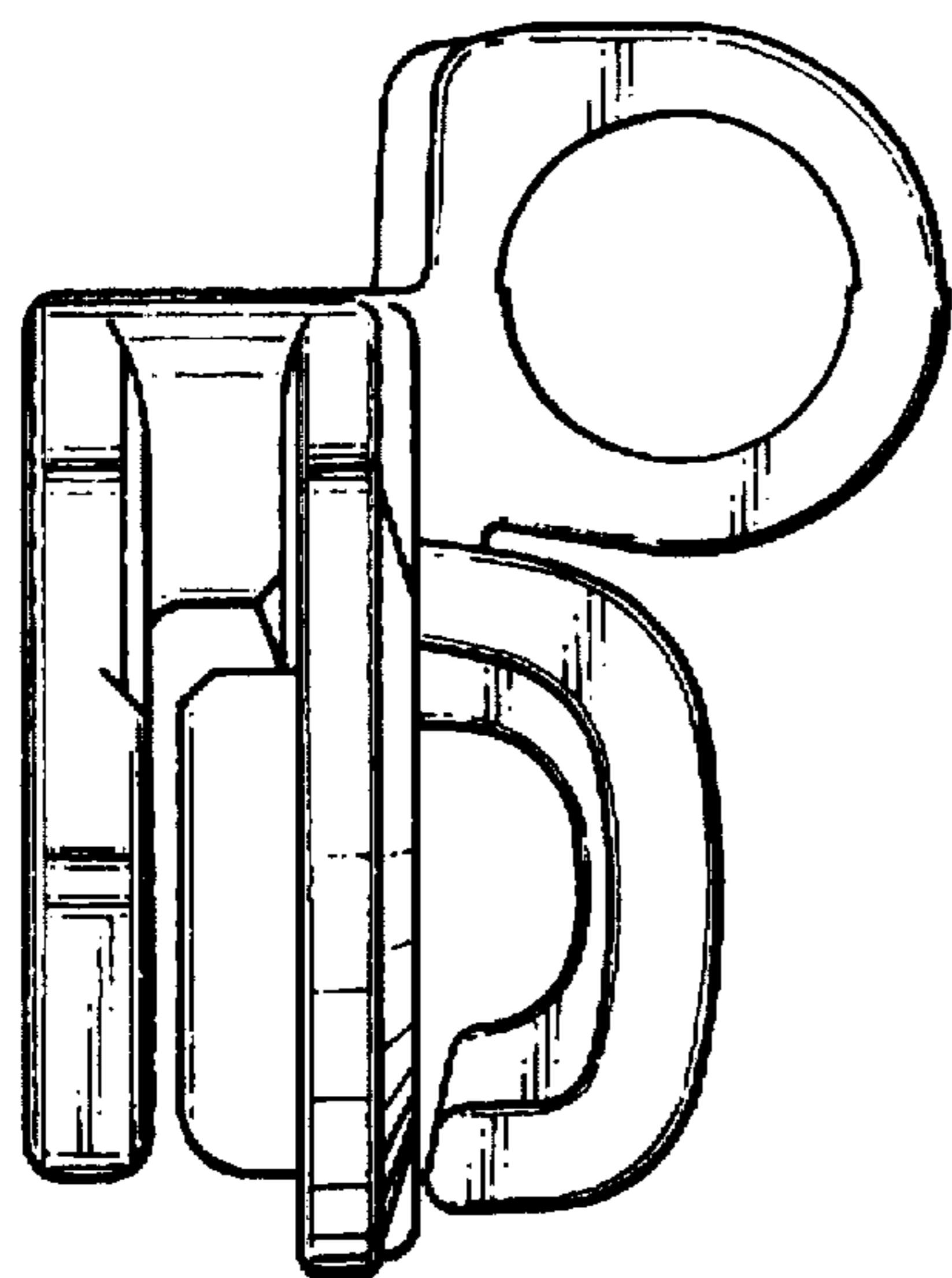


FIG. 6

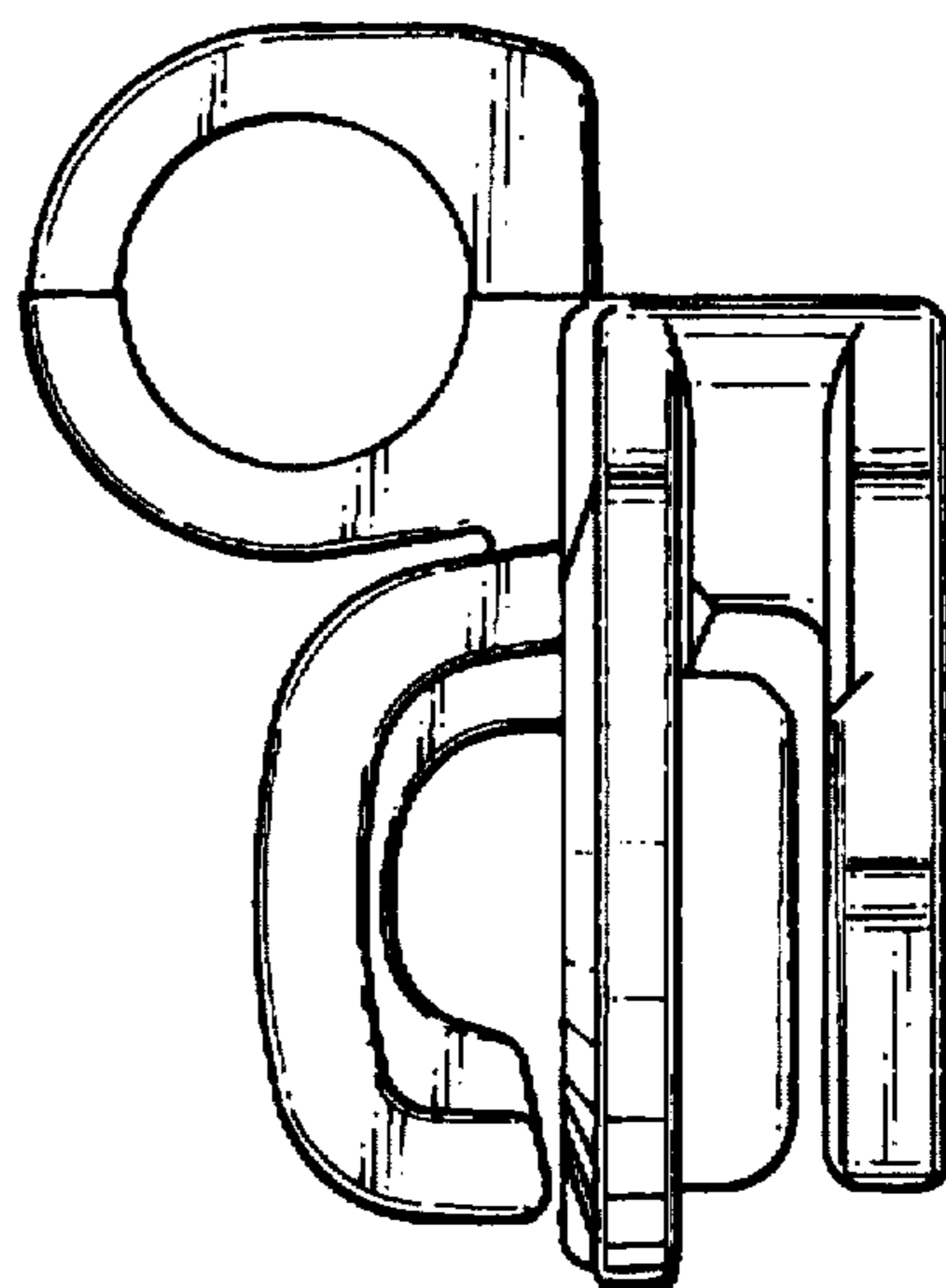


FIG. 7

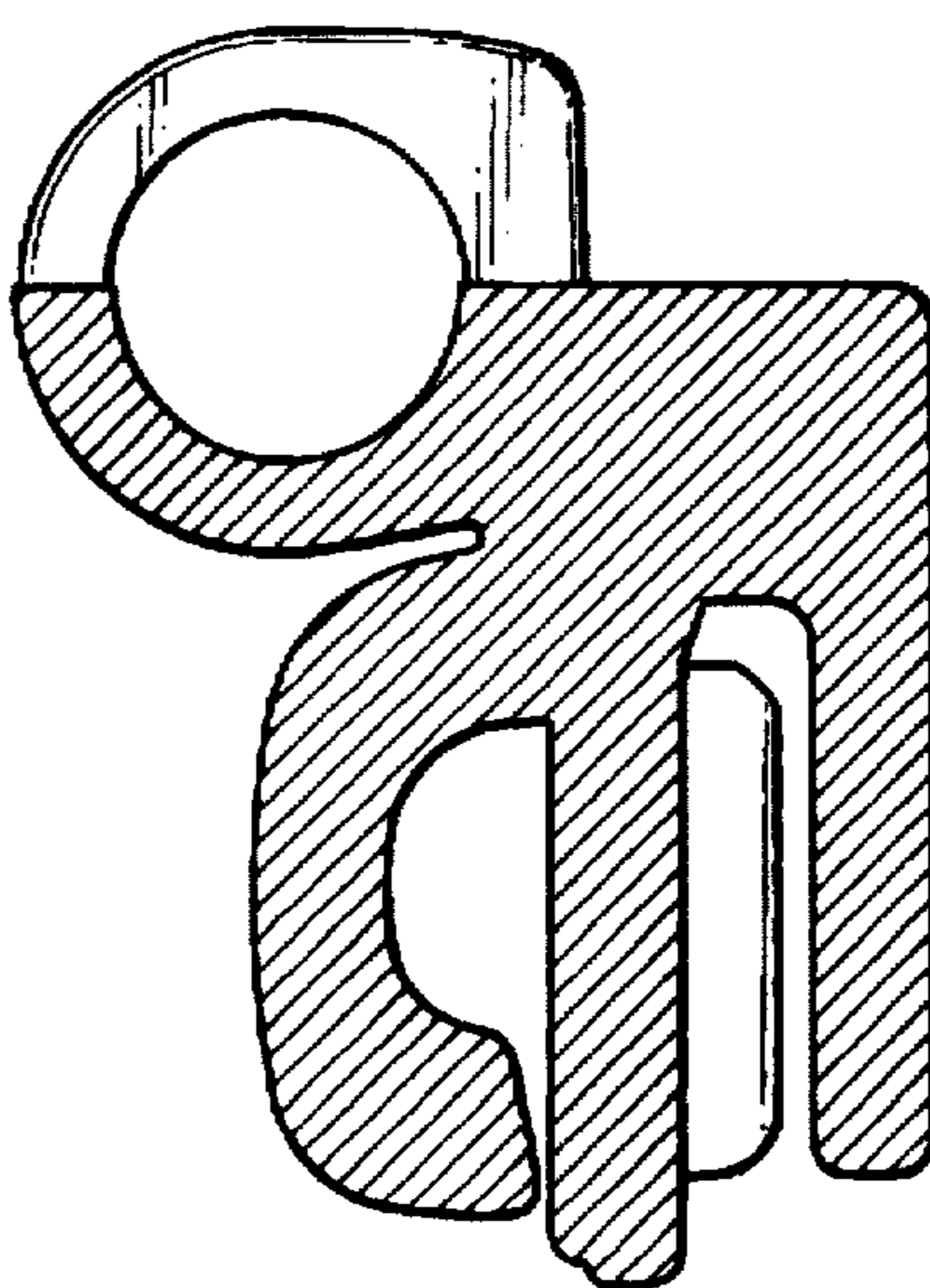


FIG. 8

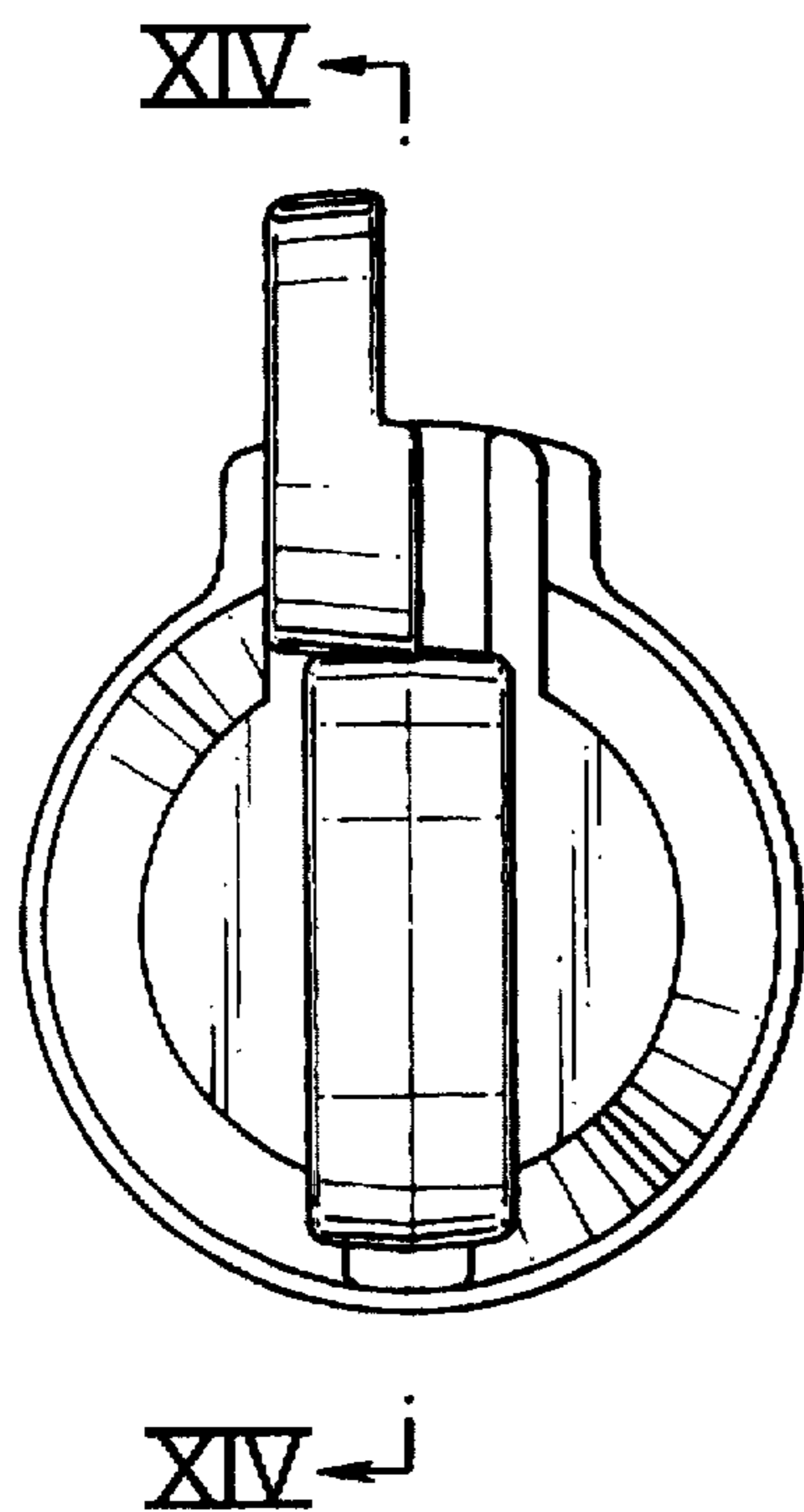


FIG. 9

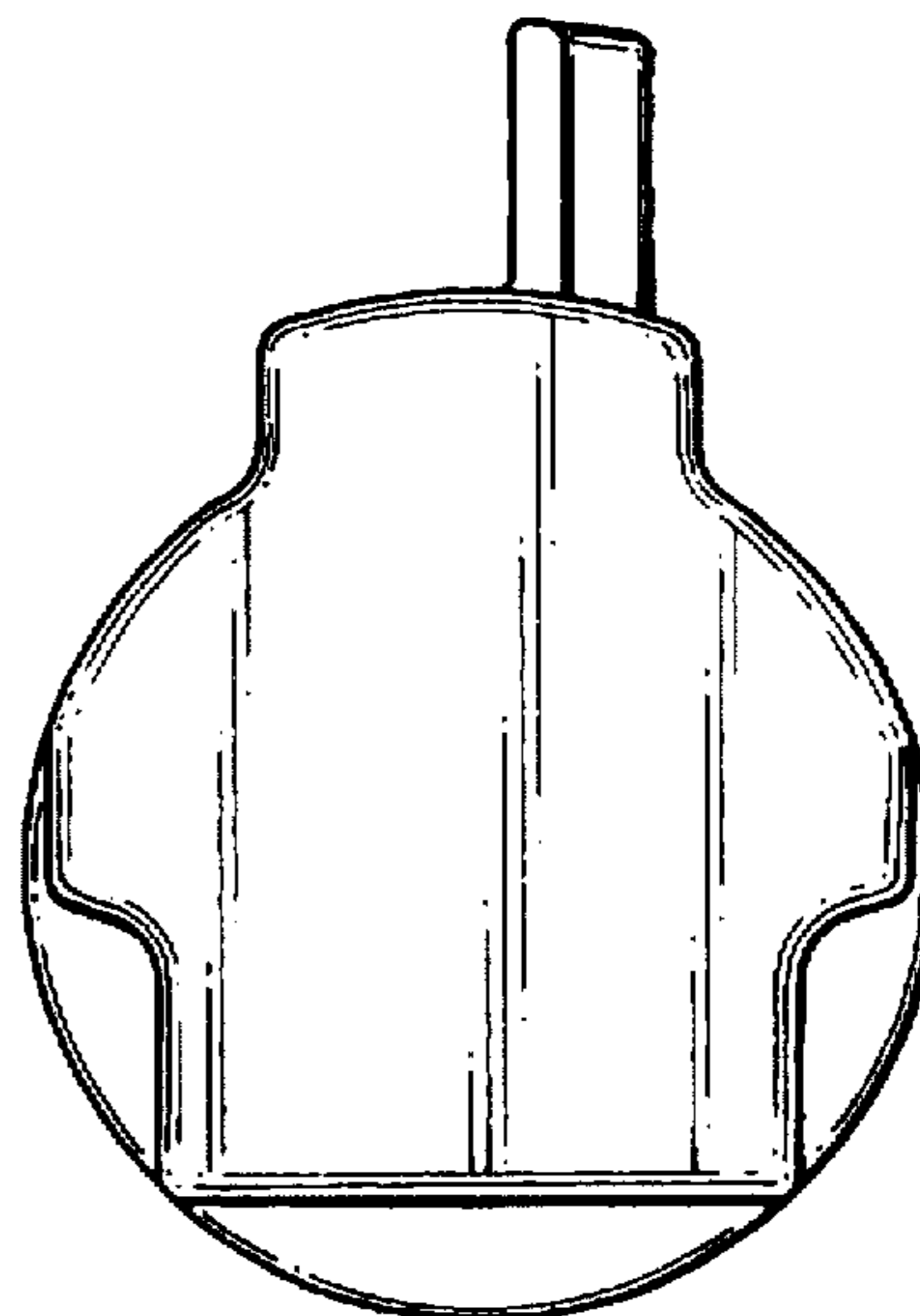


FIG. 11

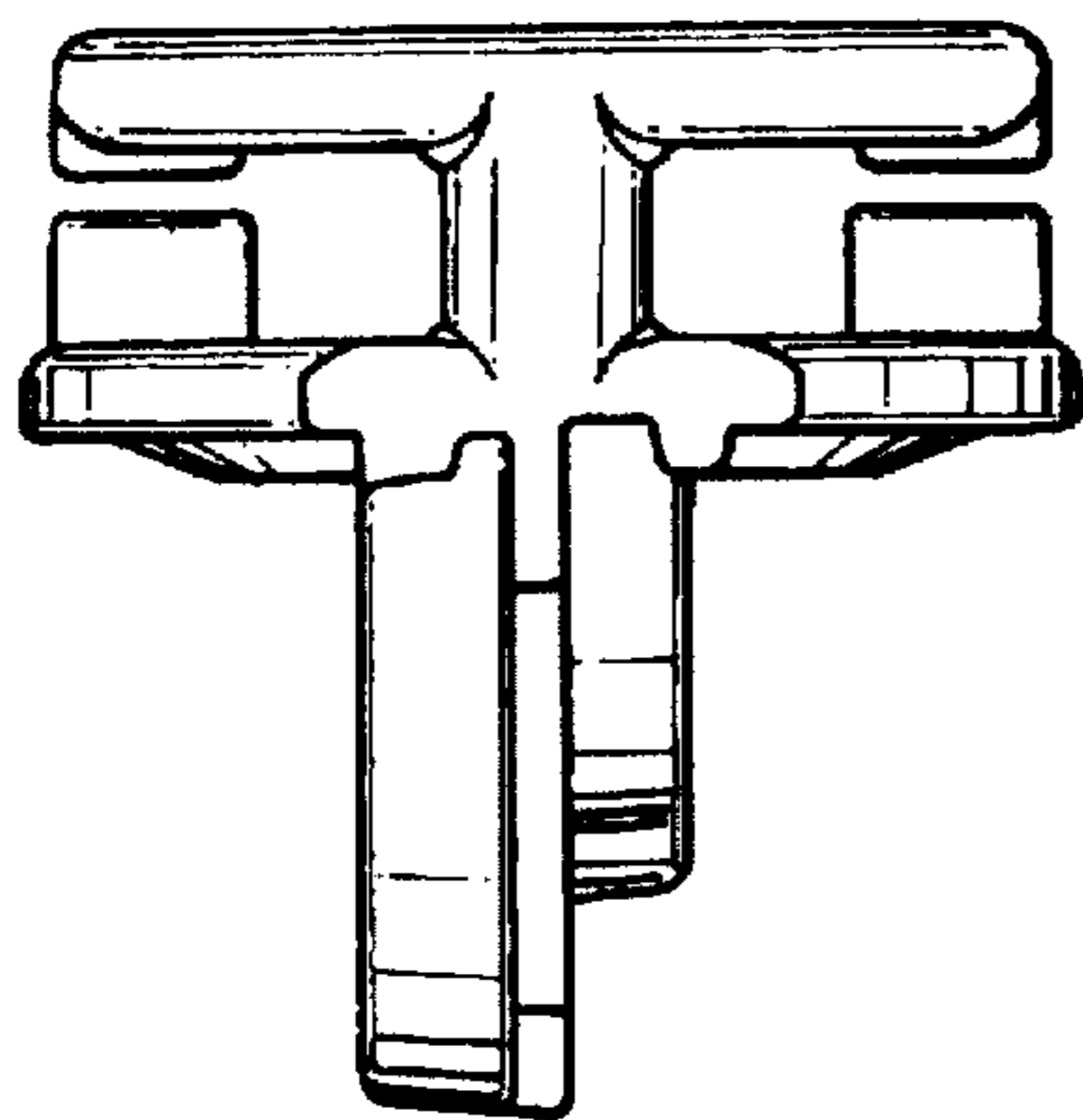


FIG. 10

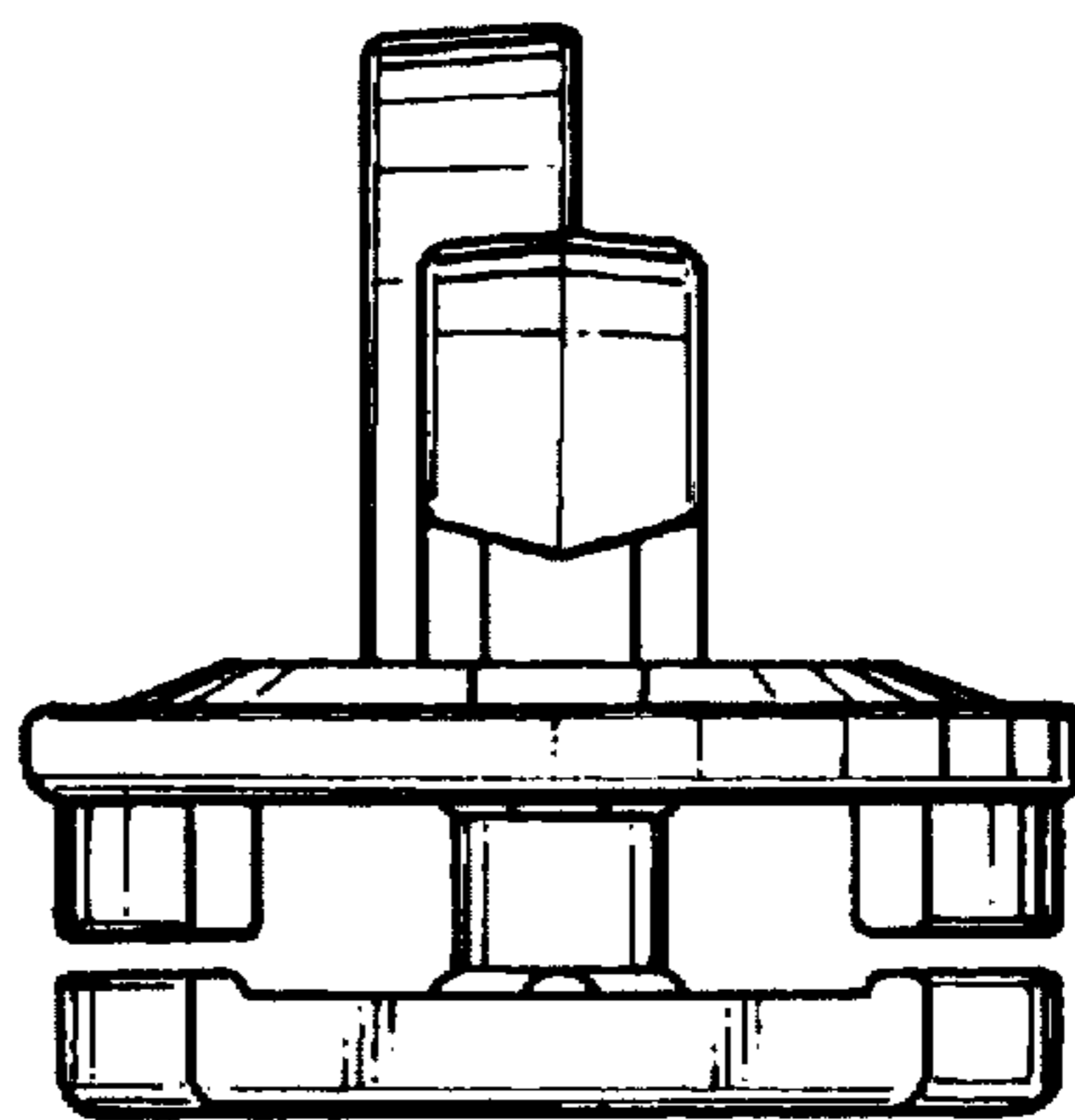


FIG. 12

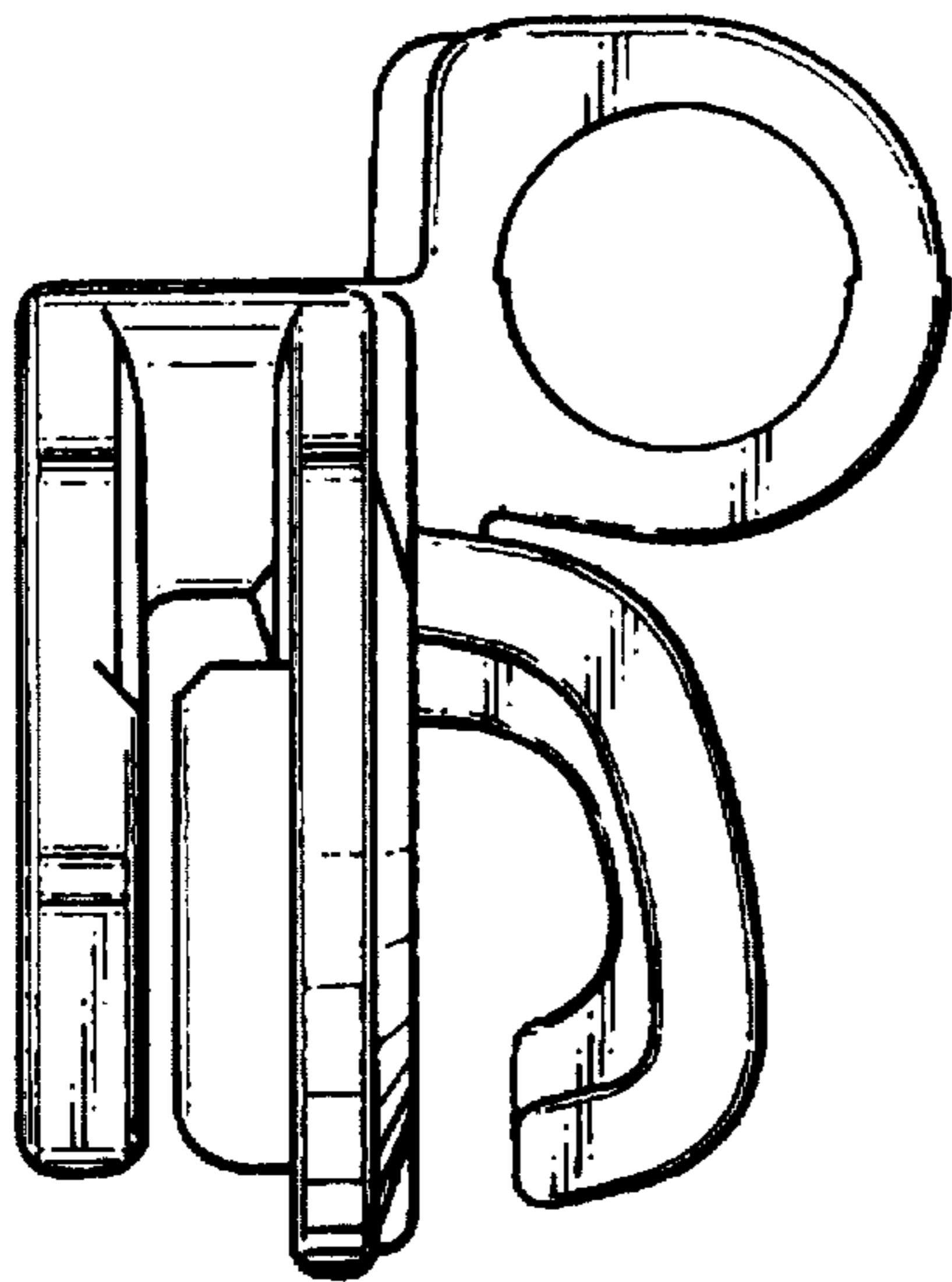


FIG. 13

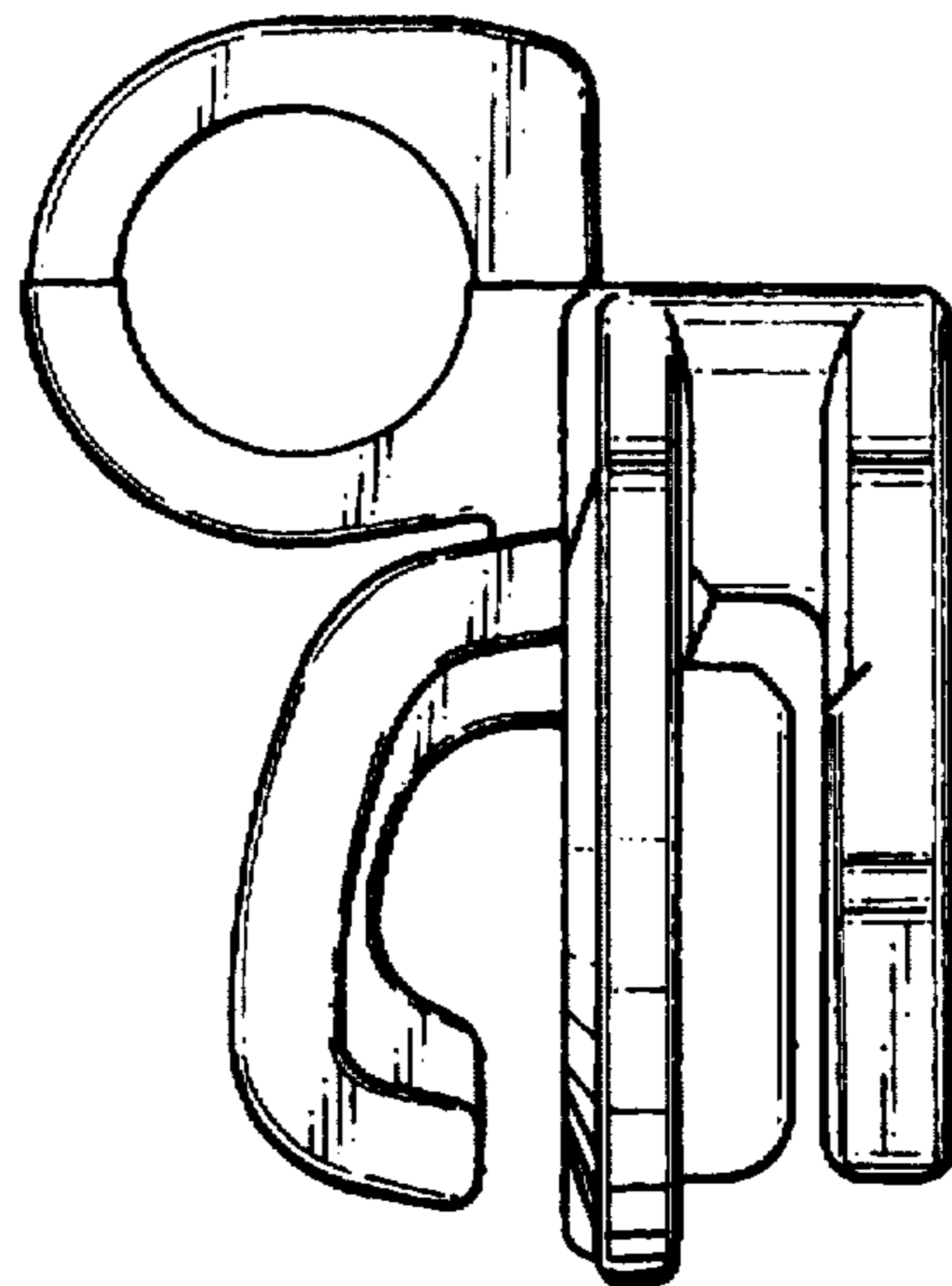


FIG. 14

