



US00D393425S

# United States Patent [19]

Weid

[11] Patent Number: Des. 393,425

[45] Date of Patent: \*\*Apr. 14, 1998

## [54] SLOTTED GUARDRAIL REFLECTOR

[76] Inventor: **Karl Weid**, 1276 Robinwood Dr., Elgin, Ill. 60123

[\*\*] Term: **14 Years**

[21] Appl. No.: **70,896**

[22] Filed: **Apr. 23, 1997**

[51] LOC (6) Cl. .... **10-05**

[52] U.S. Cl. .... **D10/111**

[58] Field of Search ..... D10/109, 111, D10/121; 359/521, 522, 523, 524, 525, 545, 546, 547, 548, 549, 550; 404/6-15

### [56] References Cited

#### U.S. PATENT DOCUMENTS

D. 278,607	4/1985	Jichy et al. ....	D10/111
D. 337,131	7/1993	Wilson ....	D10/111
2,447,378	8/1948	Wadsworth ....	D10/111
2,451,875	10/1948	Ryder ....	D10/111
2,548,722	4/1951	Haigh ....	D10/111
3,005,381	10/1961	Reinholdt ....	D10/111
3,066,577	12/1962	Gunderson ....	D10/111

Primary Examiner—Marcus A. Jackson

Attorney, Agent, or Firm—Mathew R. P. Perrone, Jr.

### [57] CLAIM

The ornamental design for a slotted guardrail reflector, as shown and described.

#### DESCRIPTION

FIG. 1 depicts a front perspective view of the slotted guardrail reflector of my invention;

FIG. 2 depicts a side plan view of the slotted guardrail reflector of my invention;

FIG. 3 is a top plan view of the slotted guardrail reflector of my invention;

FIG. 4 depicts an bottom plan view of the slotted guardrail reflector of my invention;

FIG. 5 depicts a front plan view of the slotted guardrail reflector of my invention;

FIG. 6 depicts a rear plan view of the slotted guardrail reflector of my invention;

FIG. 7 is a front perspective view of a second embodiment thereof, wherein the only difference resides in the addition of a second reflector on an opposing side;

FIG. 8 depicts a side plan view of the second embodiment of the slotted guardrail reflector of my invention;

FIG. 9 is a top plan view of the second embodiment of the slotted guardrail reflector of my invention;

FIG. 10 depicts an bottom plan view of the second embodiment of the slotted guardrail reflector of my invention;

FIG. 11 depicts a front plan view of the slotted guardrail reflector of my invention;

FIG. 12 is a front perspective view of a third embodiment thereof, wherein the only difference resides in the rounding of the top the slotted guardrail reflector;

FIG. 13 depicts a side plan view of the third embodiment of the slotted guardrail reflector of my invention;

FIG. 14 is a top plan view of the third embodiment of the slotted guardrail reflector of my invention;

FIG. 15 depicts an bottom plan view of the third embodiment of the slotted guardrail reflector of my invention;

FIG. 16 depicts a front plan view of the third embodiment of the slotted guardrail reflector of my invention;

FIG. 17 depicts a rear plan view of the third embodiment of the slotted guardrail reflector of my invention;

FIG. 18 is a front perspective of a second embodiment of FIG. 12, wherein the only difference resides in the addition of a second reflector on an opposing side;

FIG. 19 depicts a side plan view of the second embodiment of FIG. 12 of the slotted guardrail reflector of my invention;

FIG. 20 is a top plan view of the second embodiment of FIG. 12 of the slotted guardrail reflector of my invention; and,

FIG. 21 depicts the bottom plan view of the second embodiment of FIG. 12 of the slotted guardrail reflector of my invention.

1 Claim, 7 Drawing Sheets

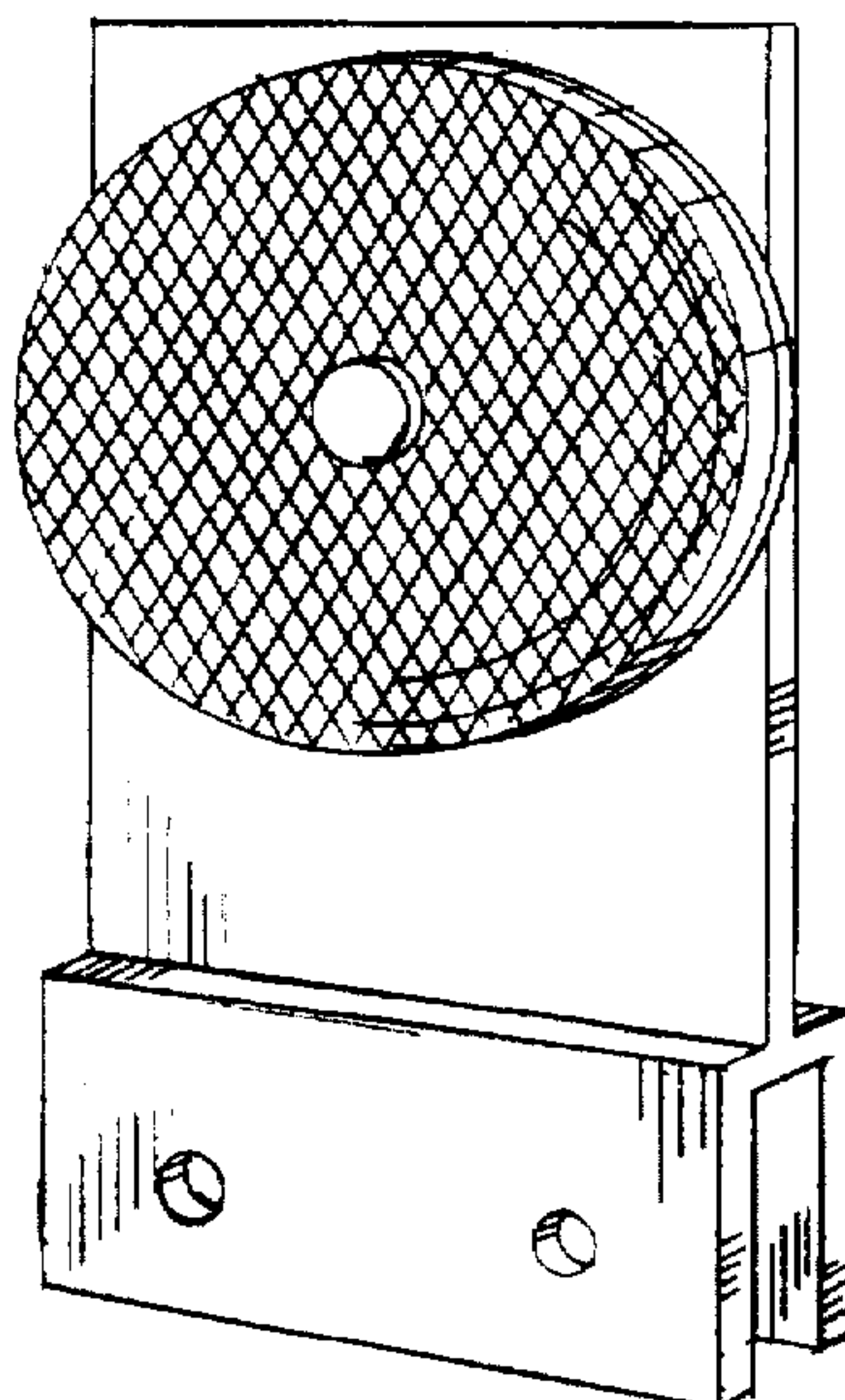


FIG. 1

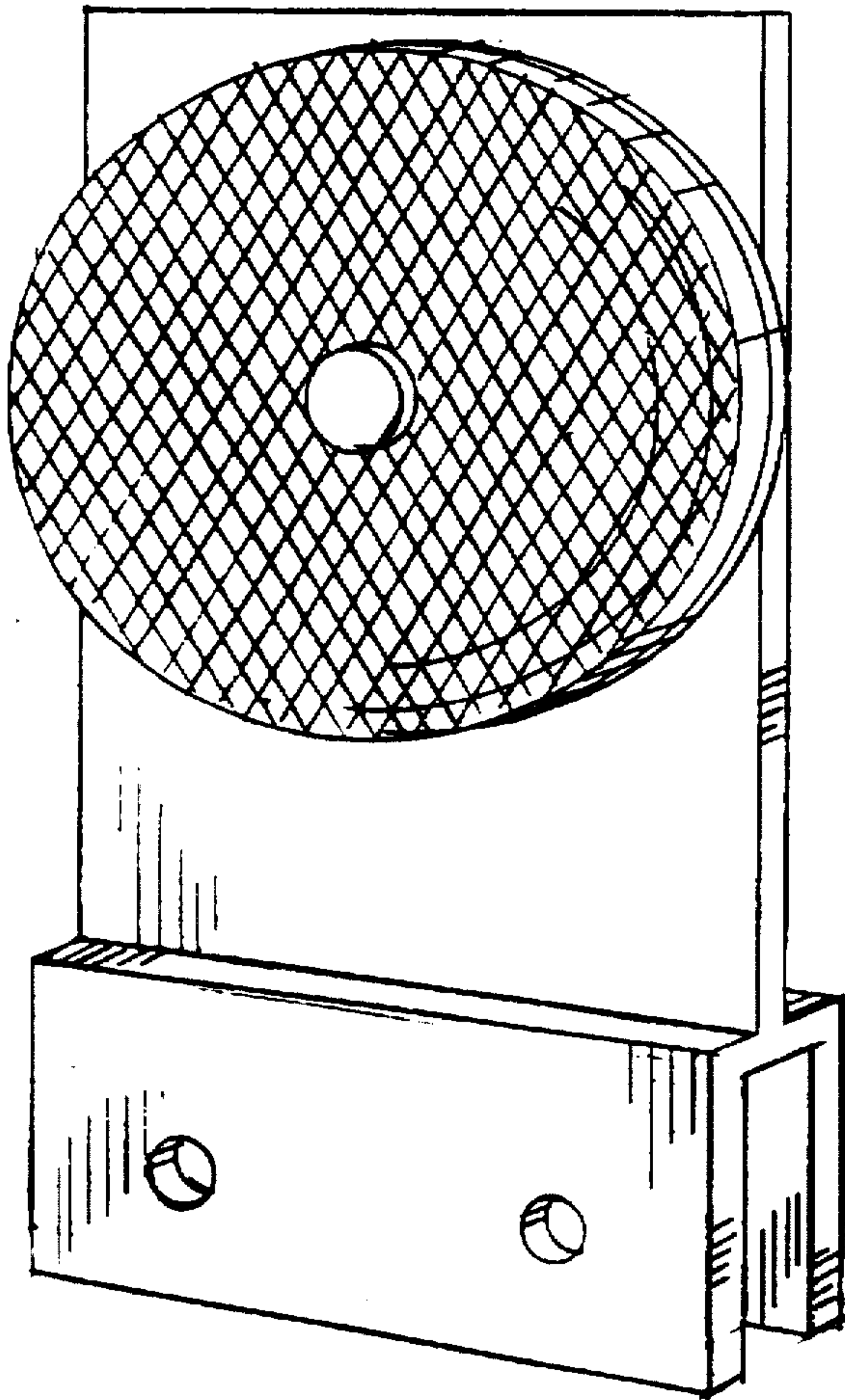


FIG. 2

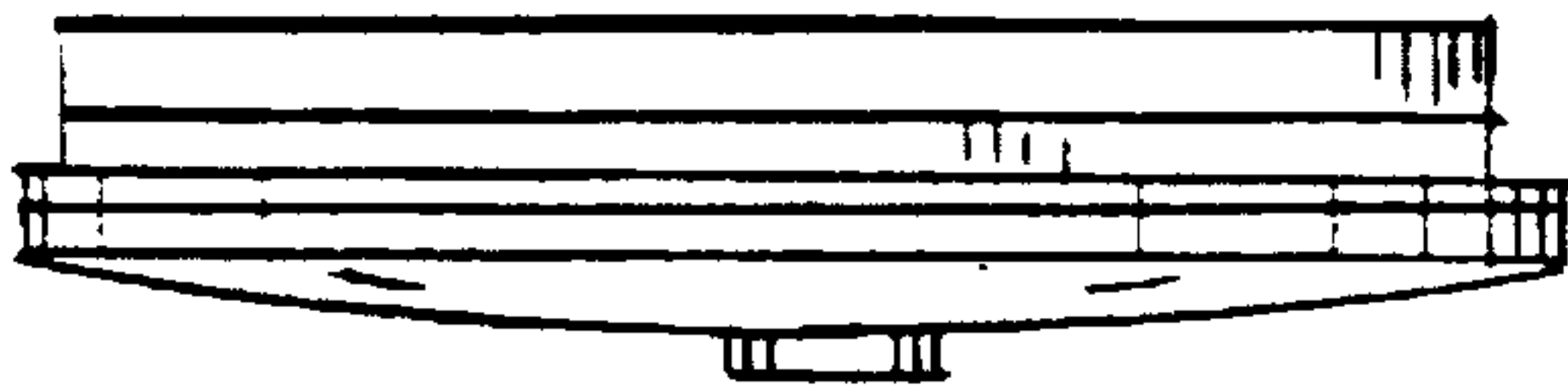
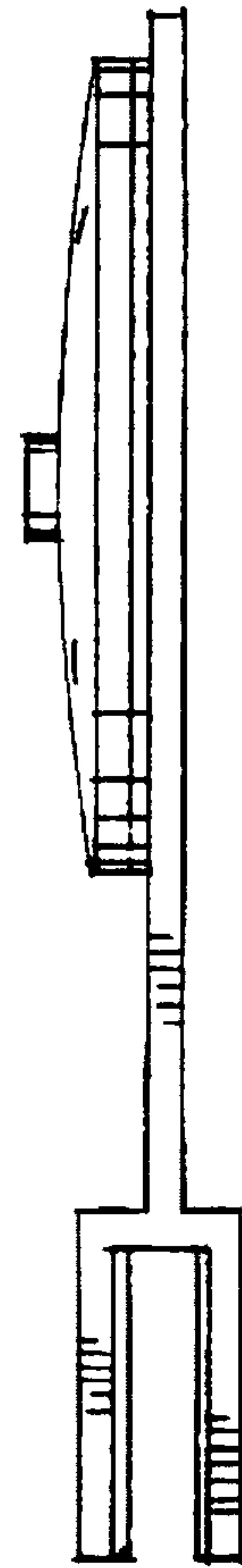


FIG. 3

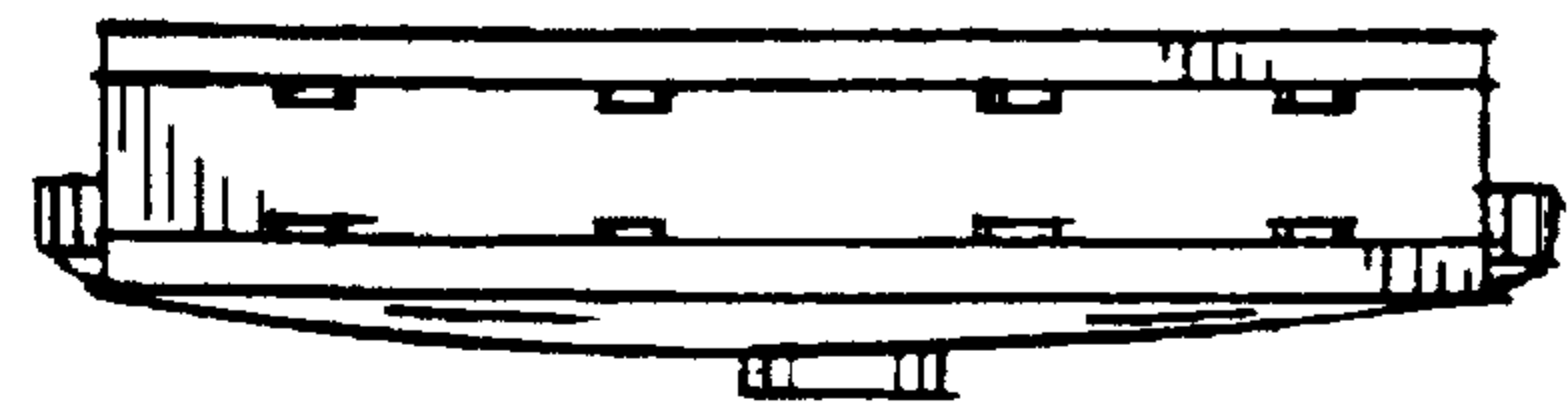


FIG. 4

FIG. 5

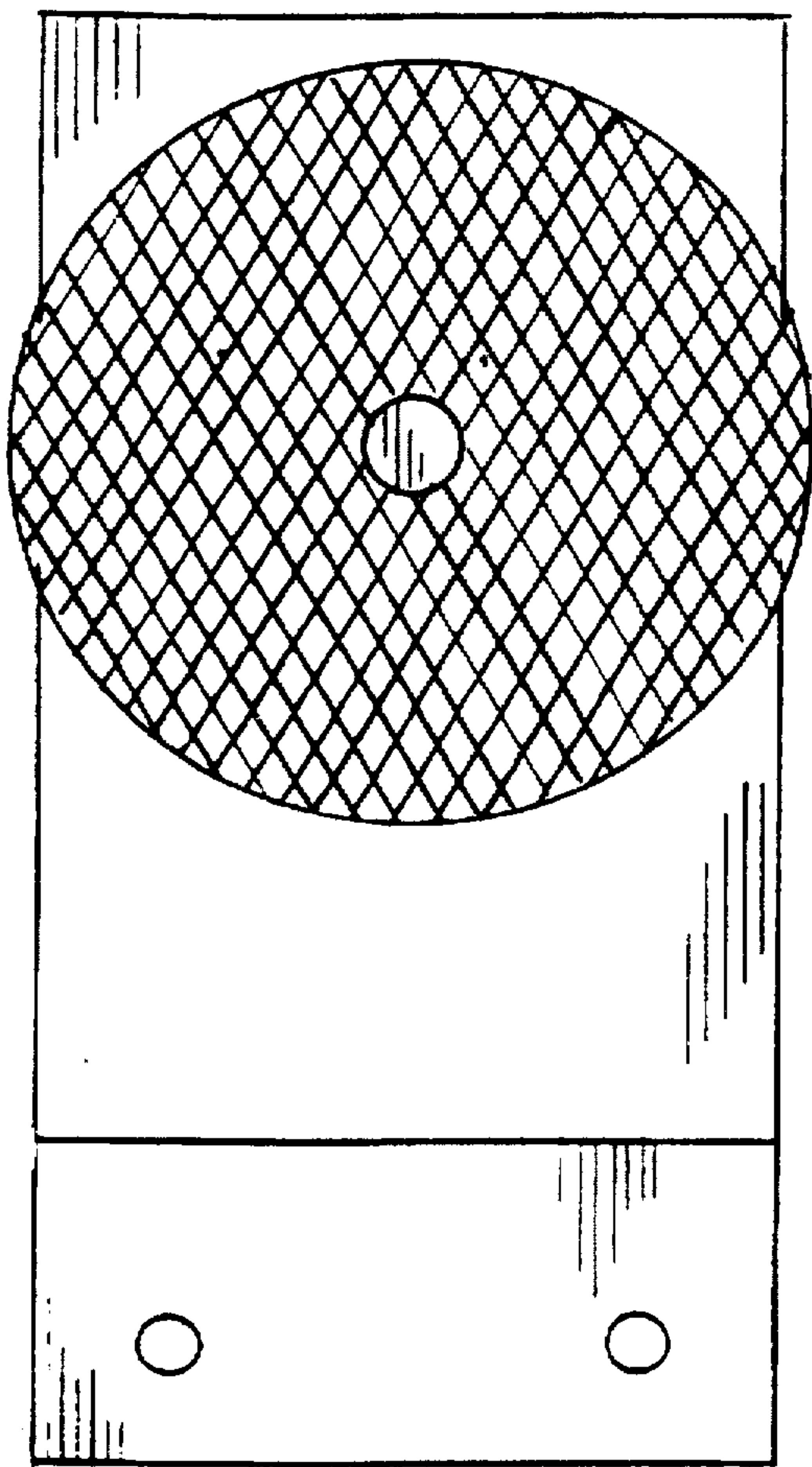


FIG. 6

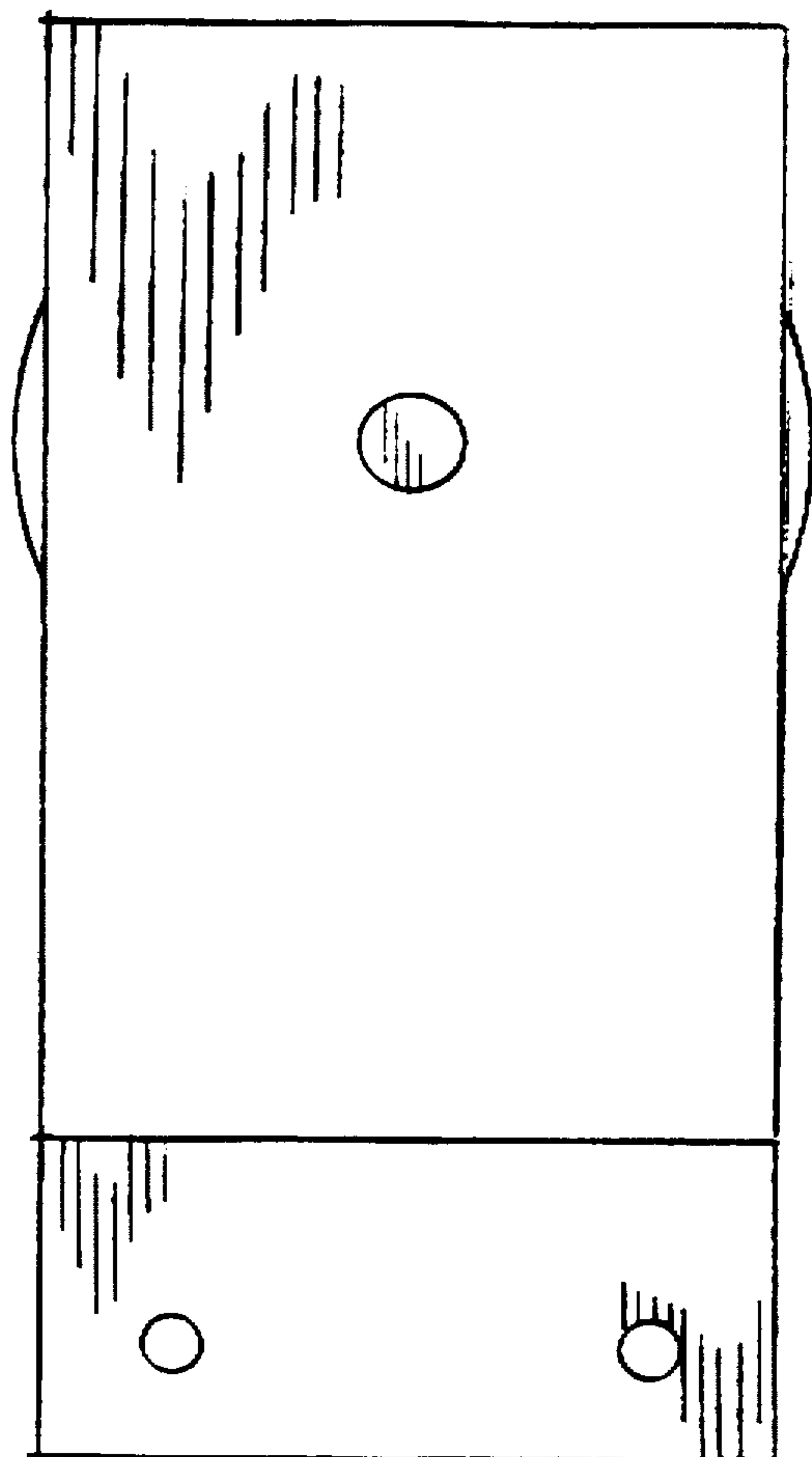




FIG. 7

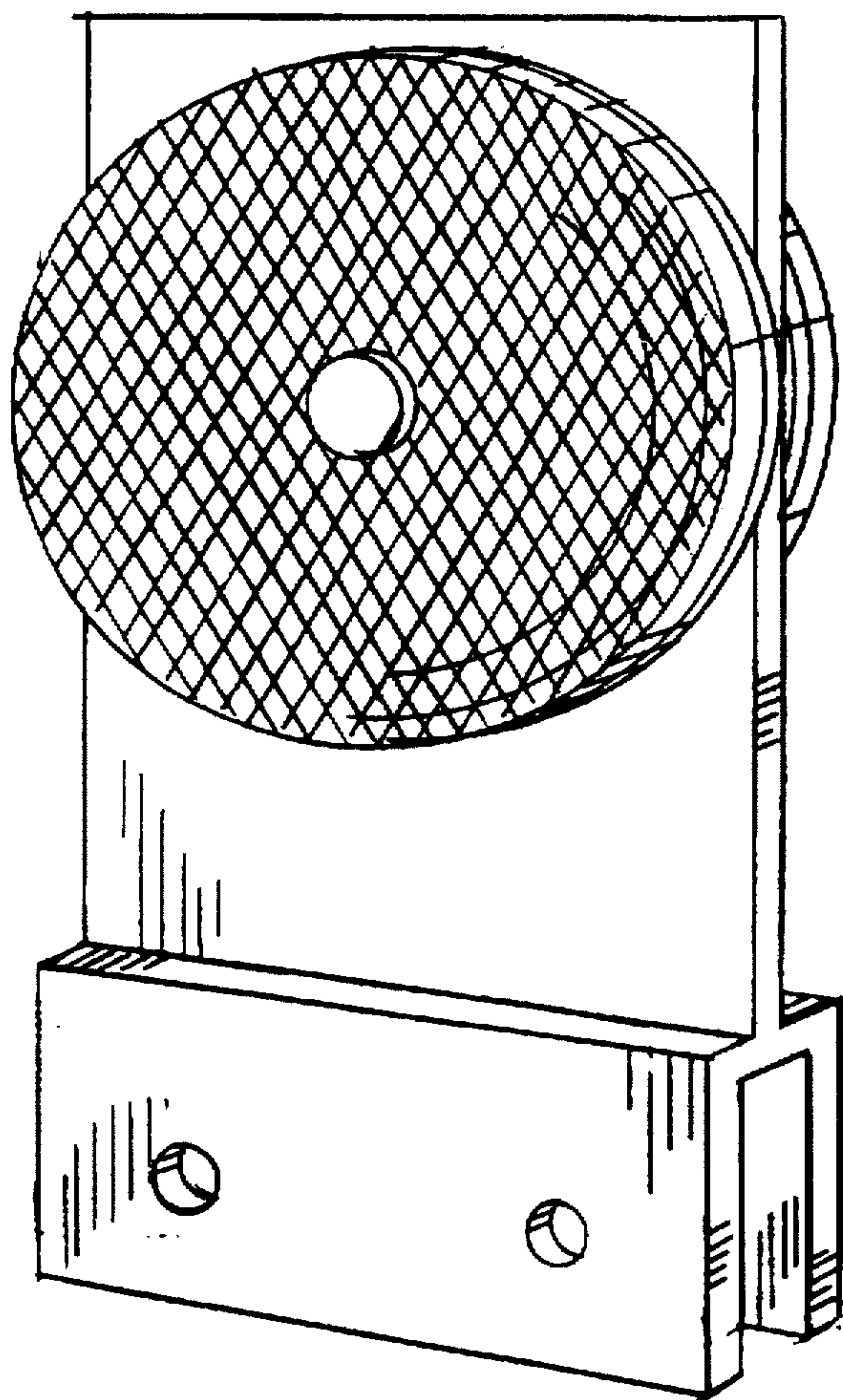


FIG. 8

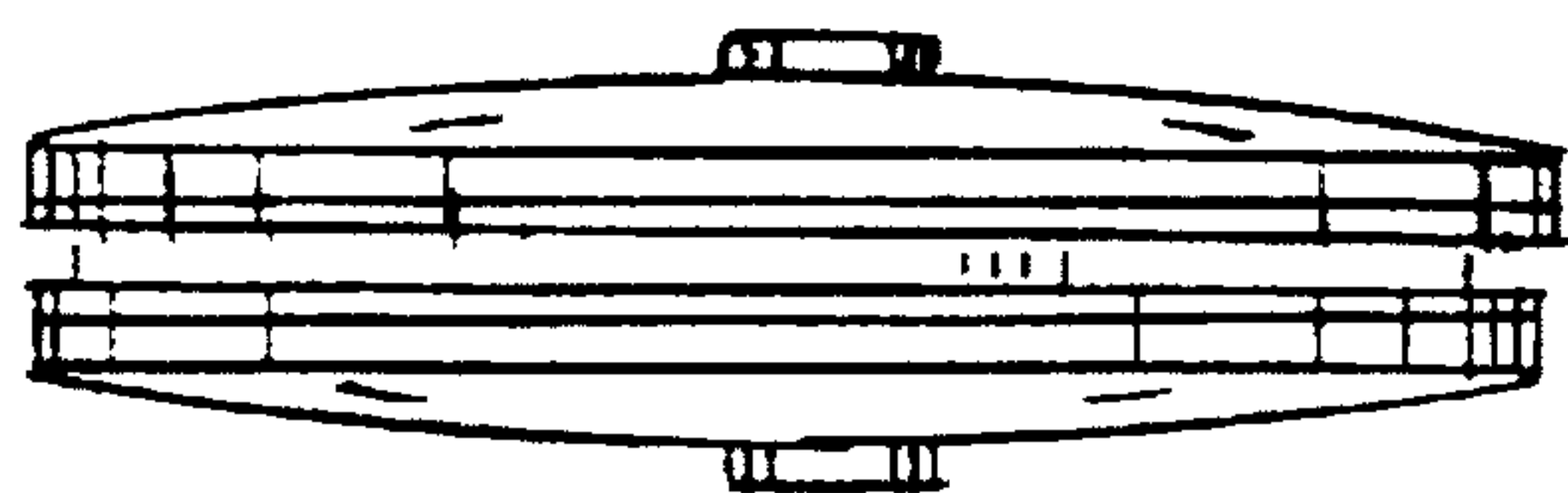
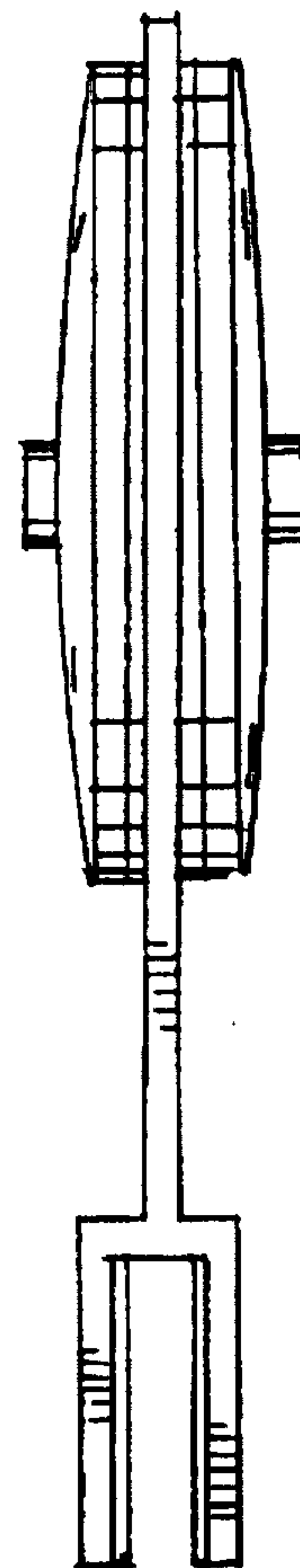


FIG. 9

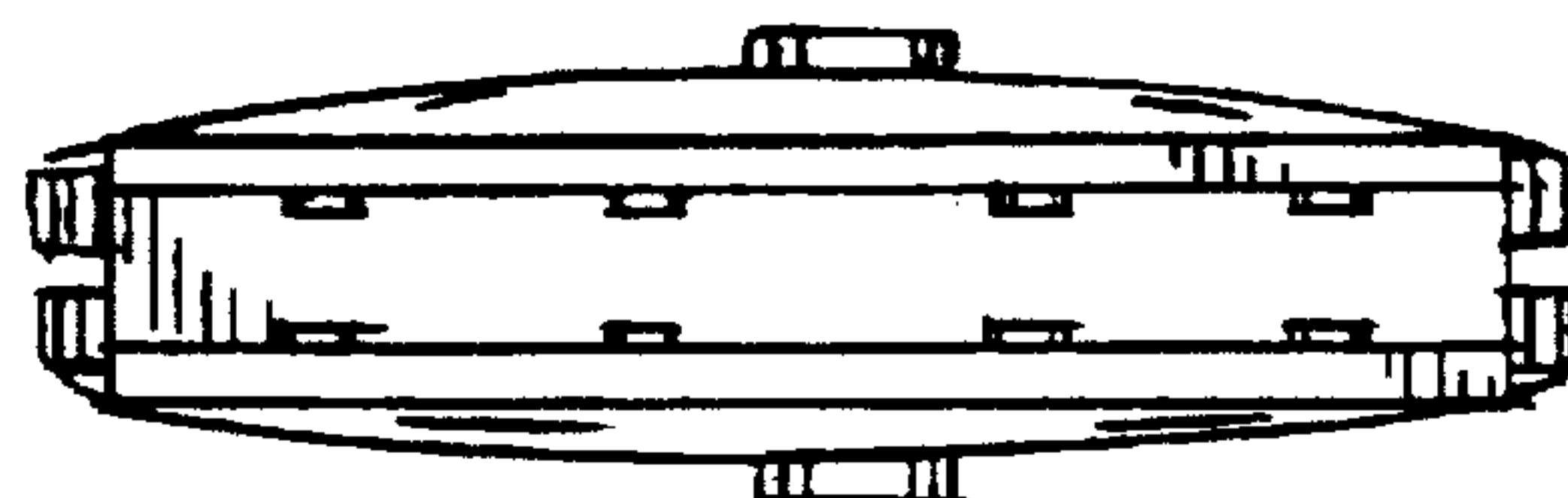


FIG. 10

FIG. 11

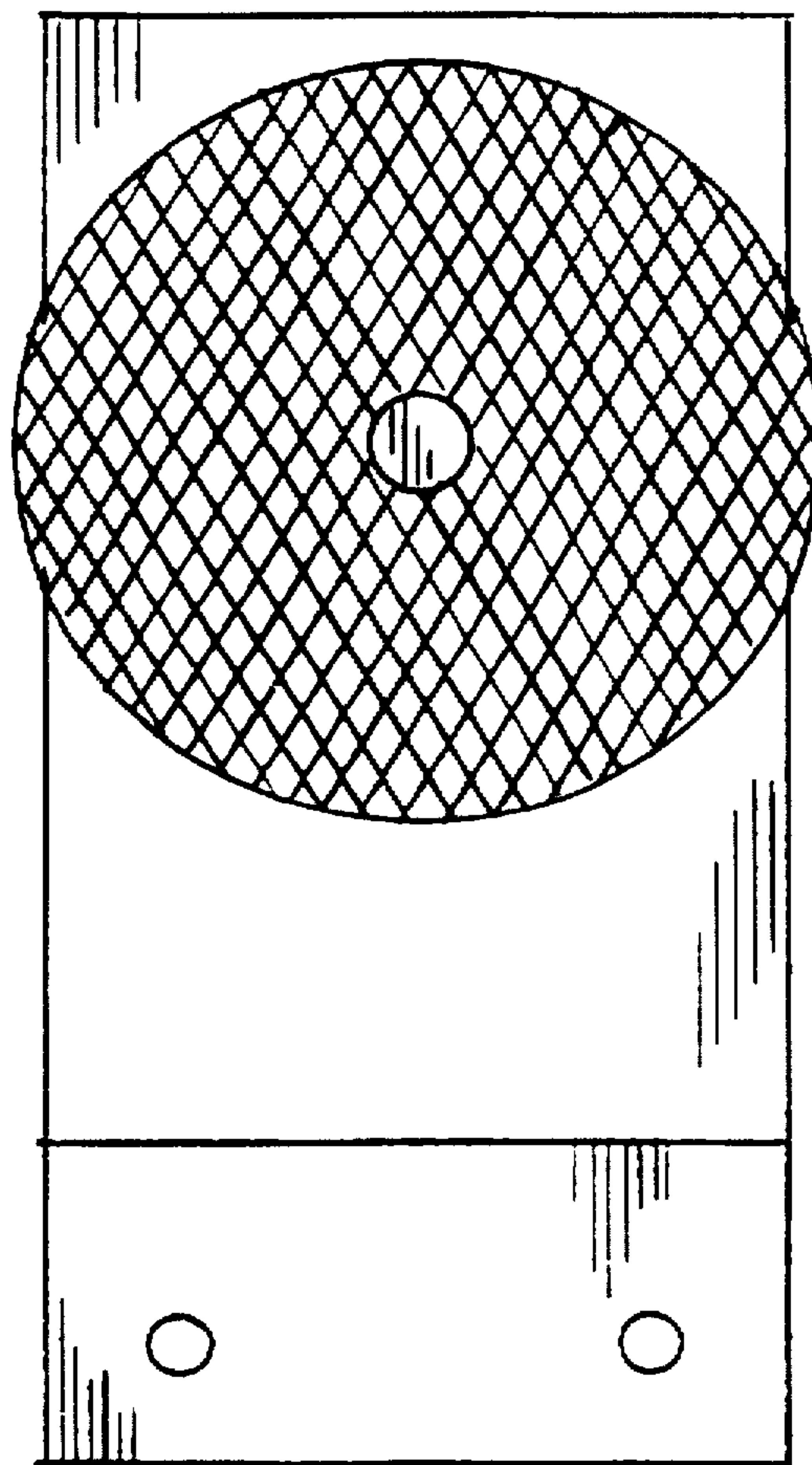


FIG. 12

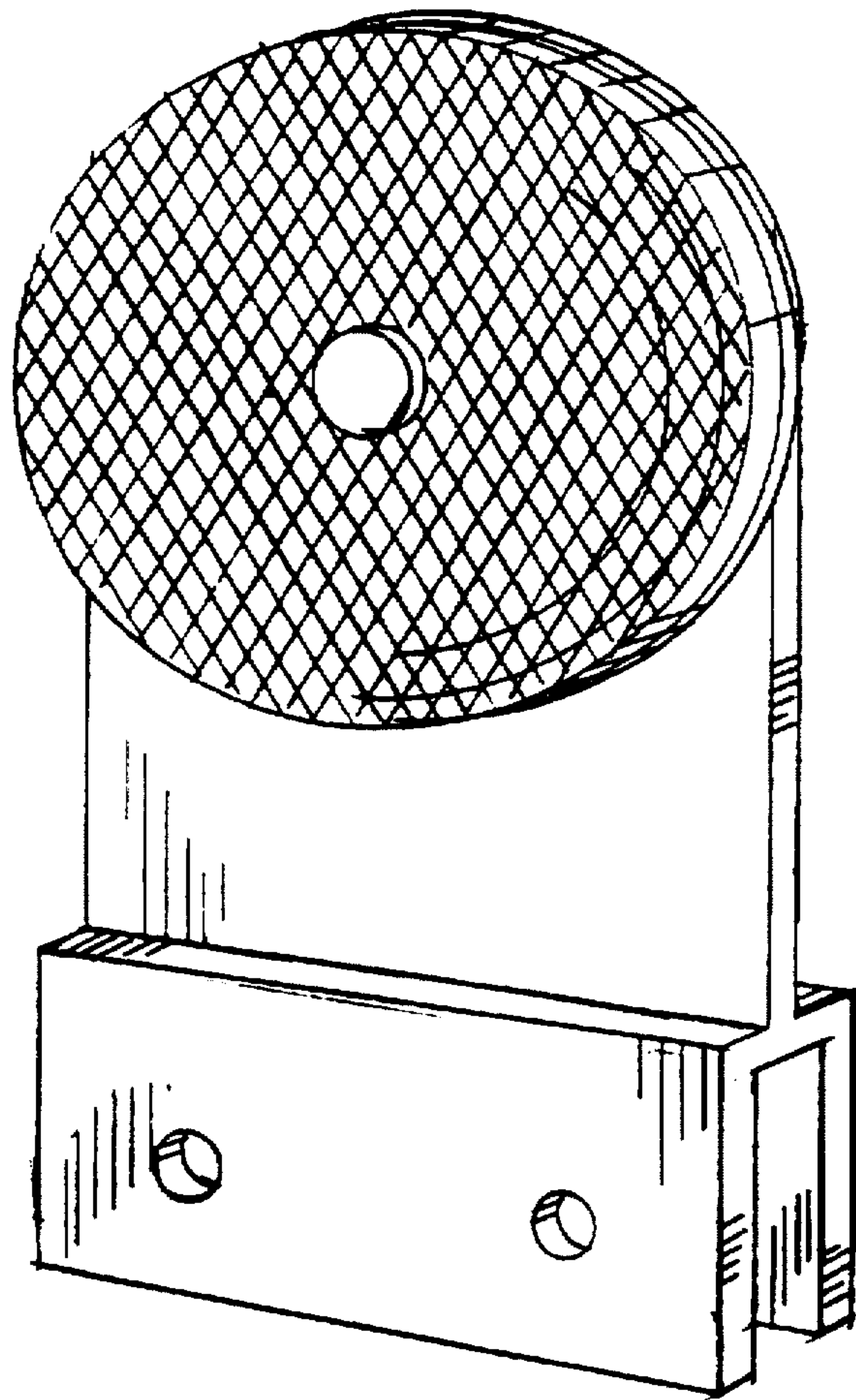


FIG. 13

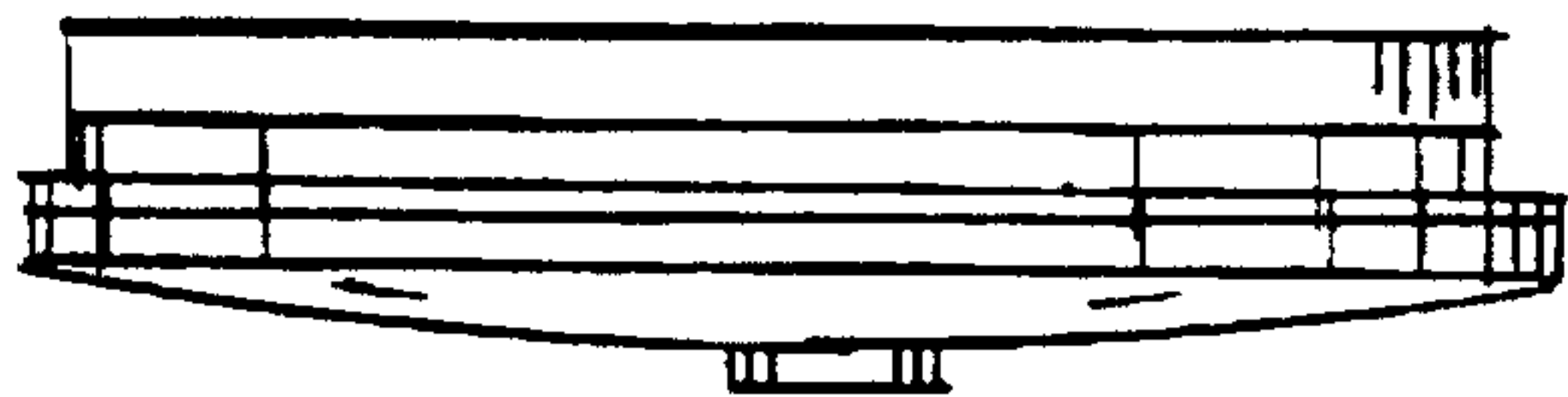
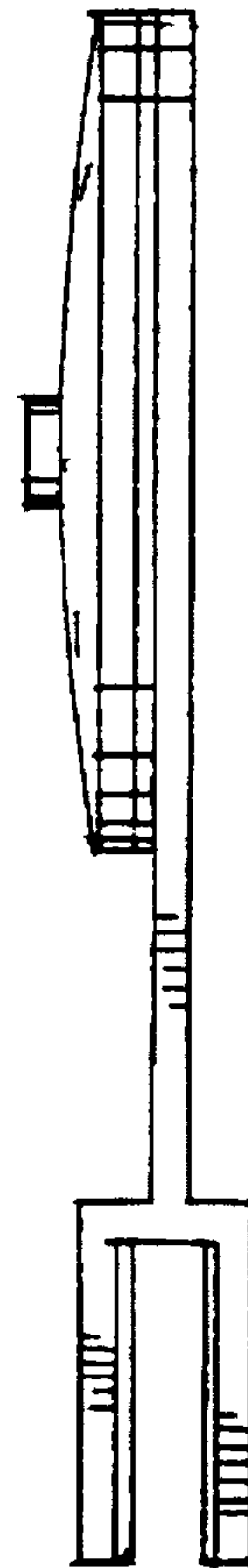


FIG. 14

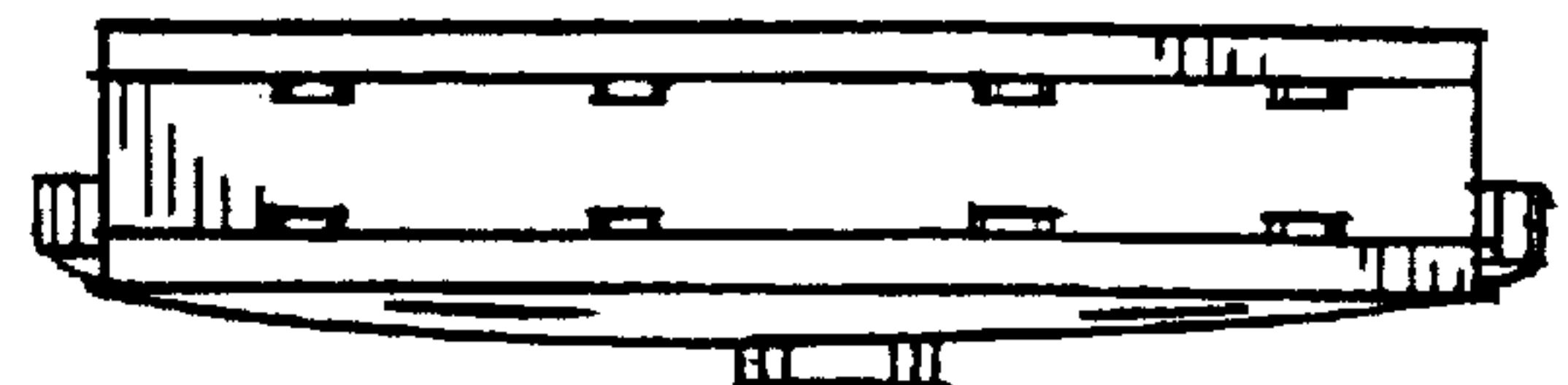


FIG. 15

FIG. 16

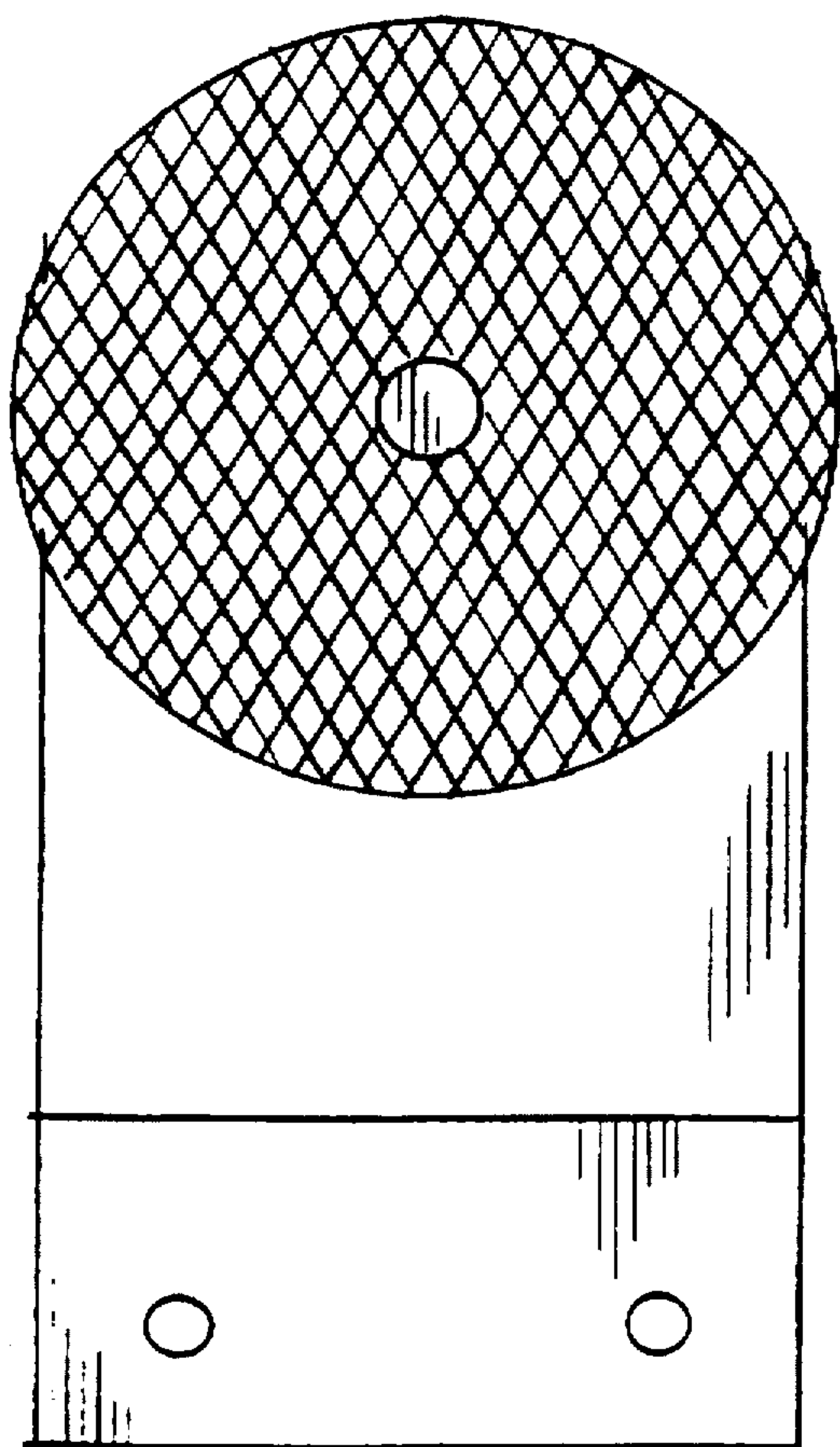


FIG. 17

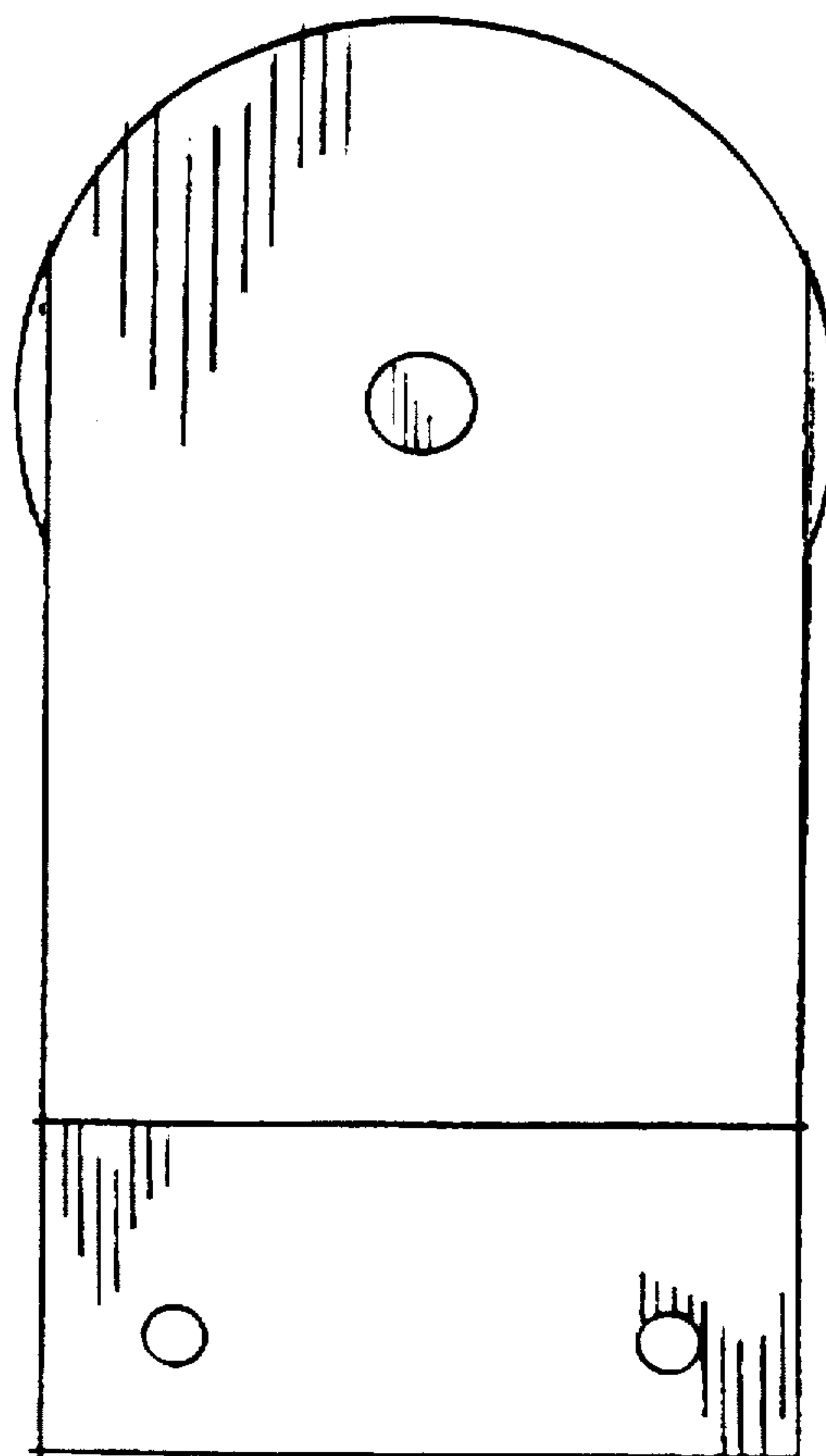




FIG. 18

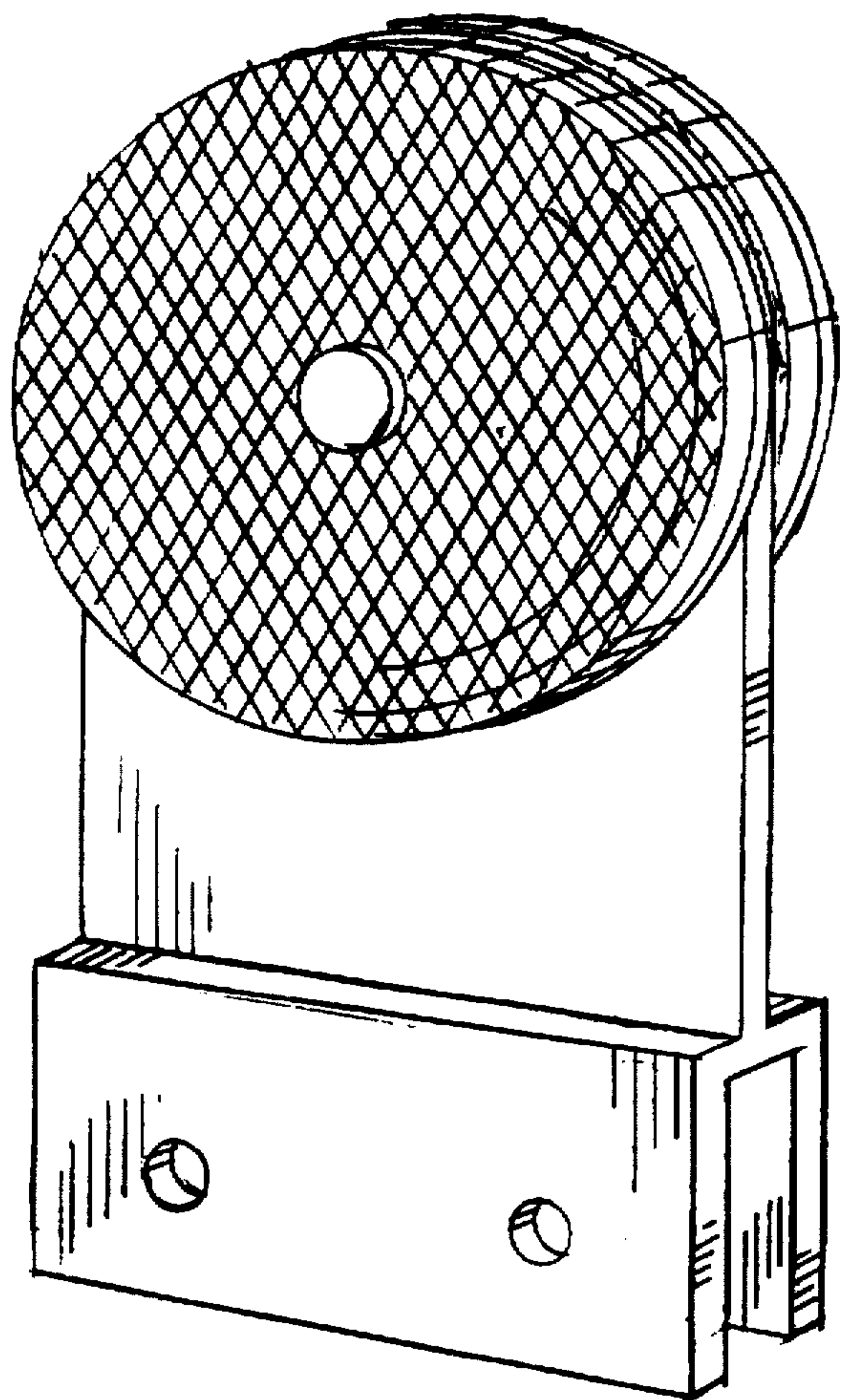


FIG. 19

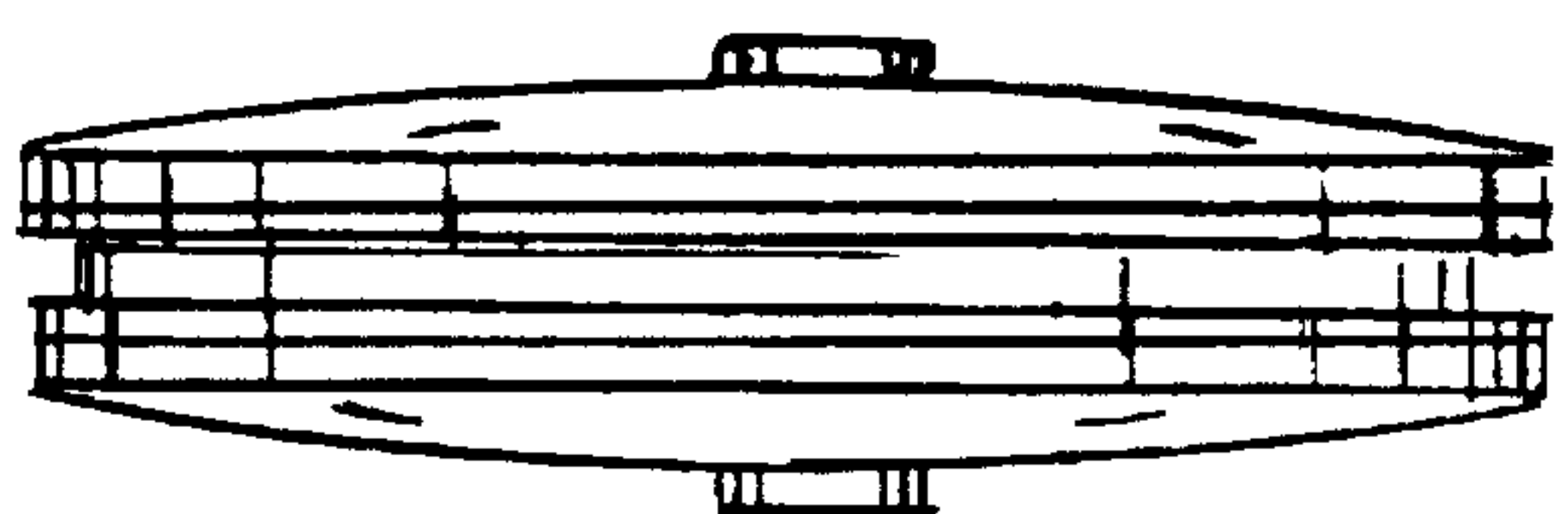
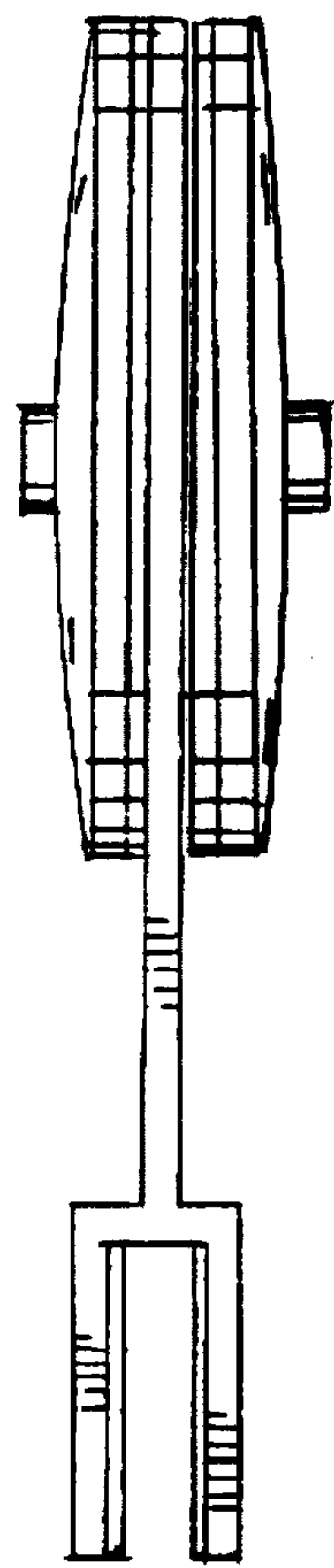


FIG. 20

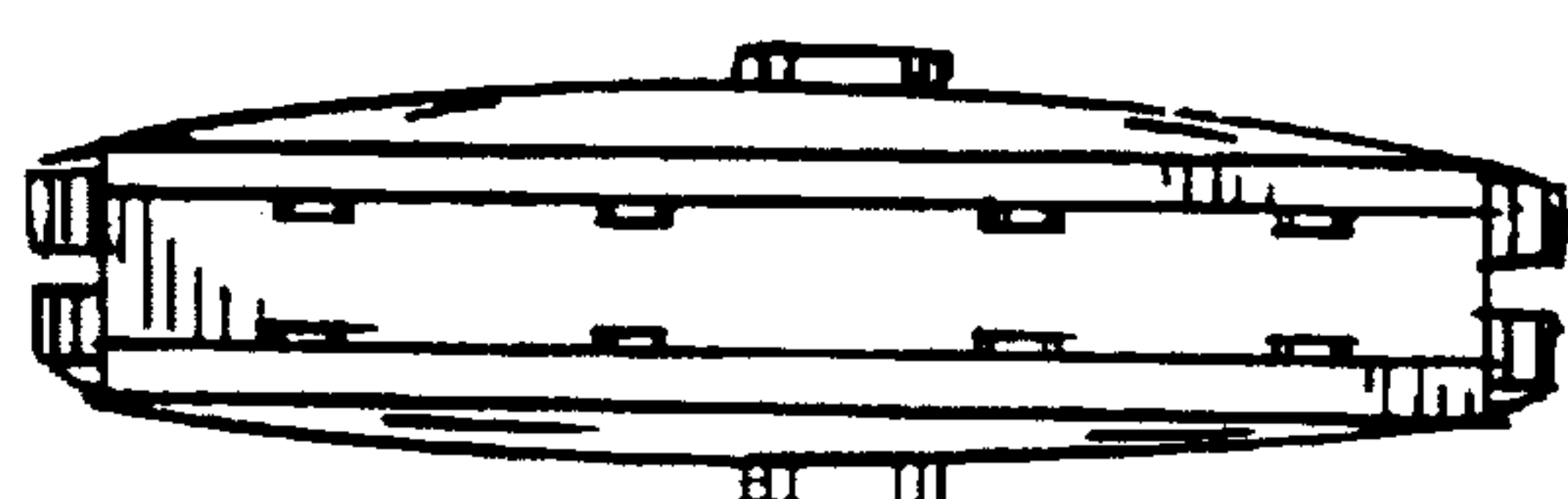


FIG. 21