

US00D393423S

United States Patent [19]

Loucks

[11] Patent Number: Des. 393,423

[45] Date of Patent: **Apr. 14, 1998

[54] DRAWING DISC

[75] Inventor: Grant Loucks, Pacific Palisades, Calif.

[73] Assignee: Alan Gordon Enterprises, Hollywood, Calif.

[**] Term: 14 Years

[21] Appl. No.: 61,837

[22] Filed: Oct. 31, 1996

[51] LOC (6) Cl. 10-04

[52] U.S. Cl. D10/64

[58] Field of Search D10/61, 63, 64;
33/562, 565, 566, 567

[56] References Cited

U.S. PATENT DOCUMENTS

3,699,660	10/1972	Siegel	33/565
3,813,787	6/1974	Mercorelli	33/565
3,900,956	8/1975	Furuoka et al.	33/565
4,688,330	8/1987	Konrad	33/565 X

Primary Examiner—Antoine Duval Davis

Attorney, Agent, or Firm—Fulwider, Patton, Lee & Utecht, LLP

[57] CLAIM

The ornamental design for a drawing disc, as shown and described.

DESCRIPTION

FIG. 1 is a perspective view of a drawing disc embodying the new design;

FIG. 2 is a front elevational view of the drawing disc shown in FIG. 1;

FIG. 3 is a left side elevational view thereof;

FIG. 4 is a top plan view thereof;

FIG. 5 is a bottom plan view thereof;

FIG. 6 is a perspective view of another drawing disc embodying the new design;

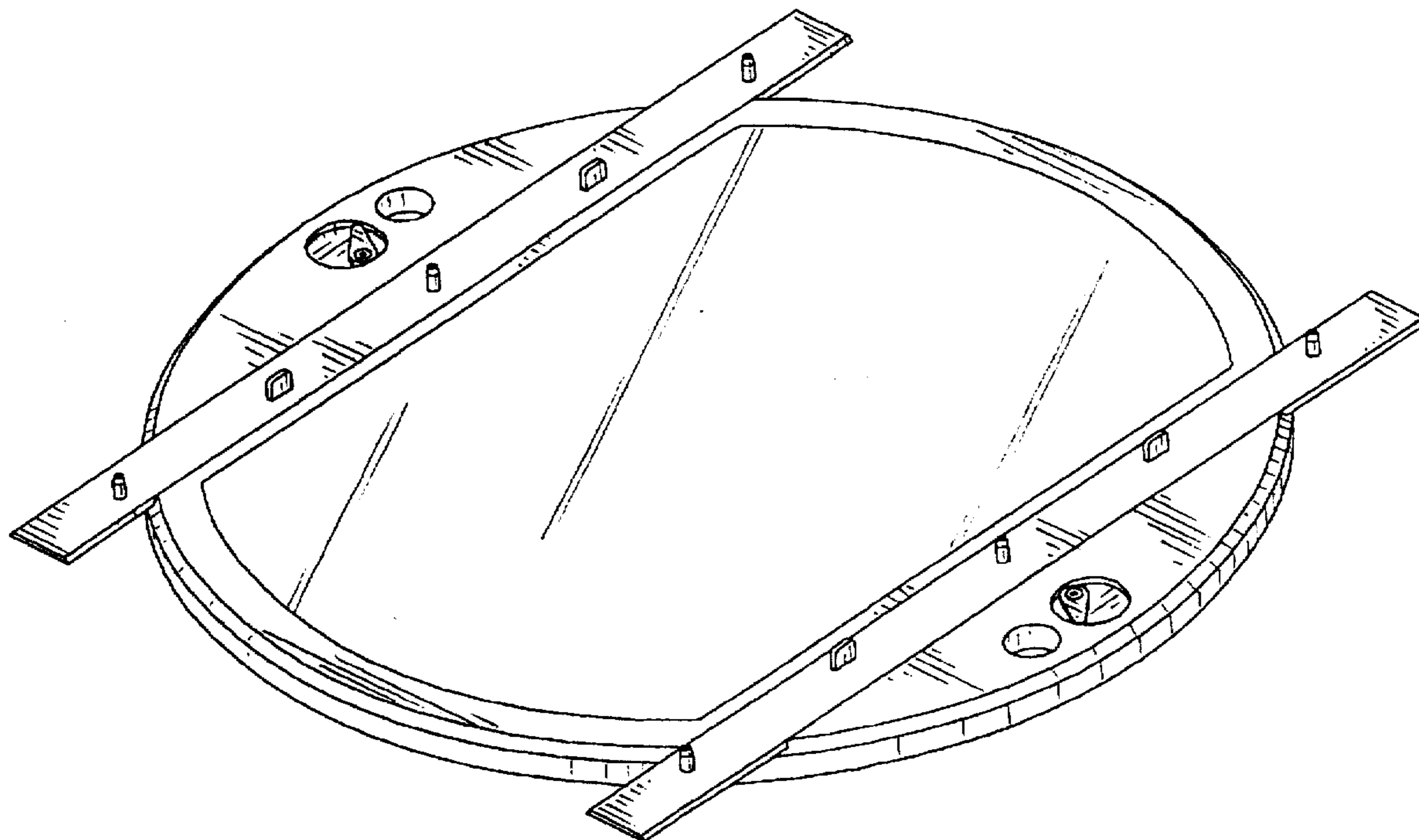
FIG. 7 is a front elevational view of the drawing disc shown in FIG. 6;

FIG. 8 is a left side elevational view thereof;

FIG. 9 is a top plan view thereof; and,

FIG. 10 is a bottom plan view thereof.

1 Claim, 5 Drawing Sheets



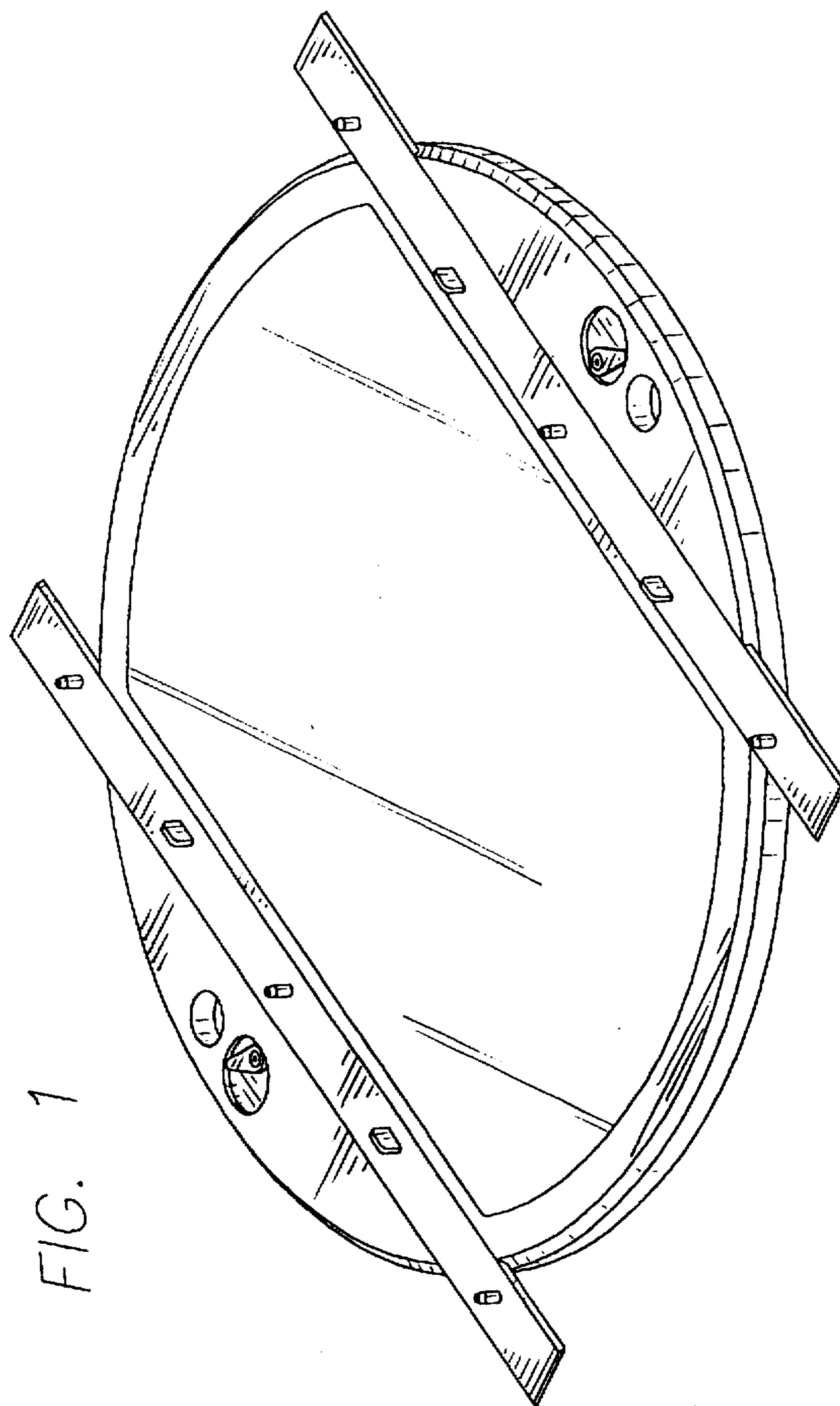


FIG. 1

FIG. 2

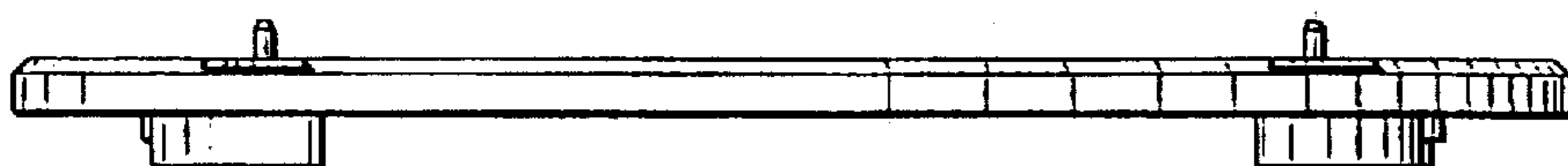


FIG. 3

FIG. 7

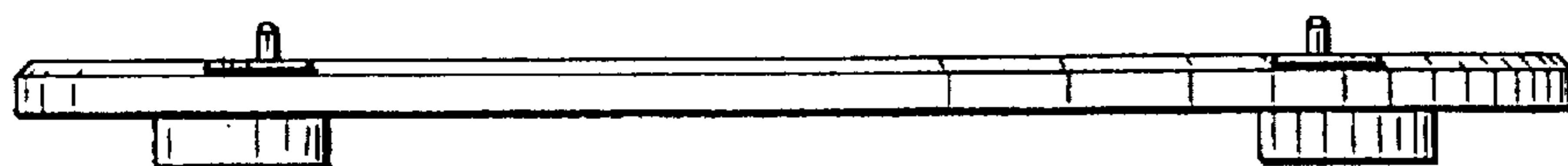


FIG. 8

FIG. 4

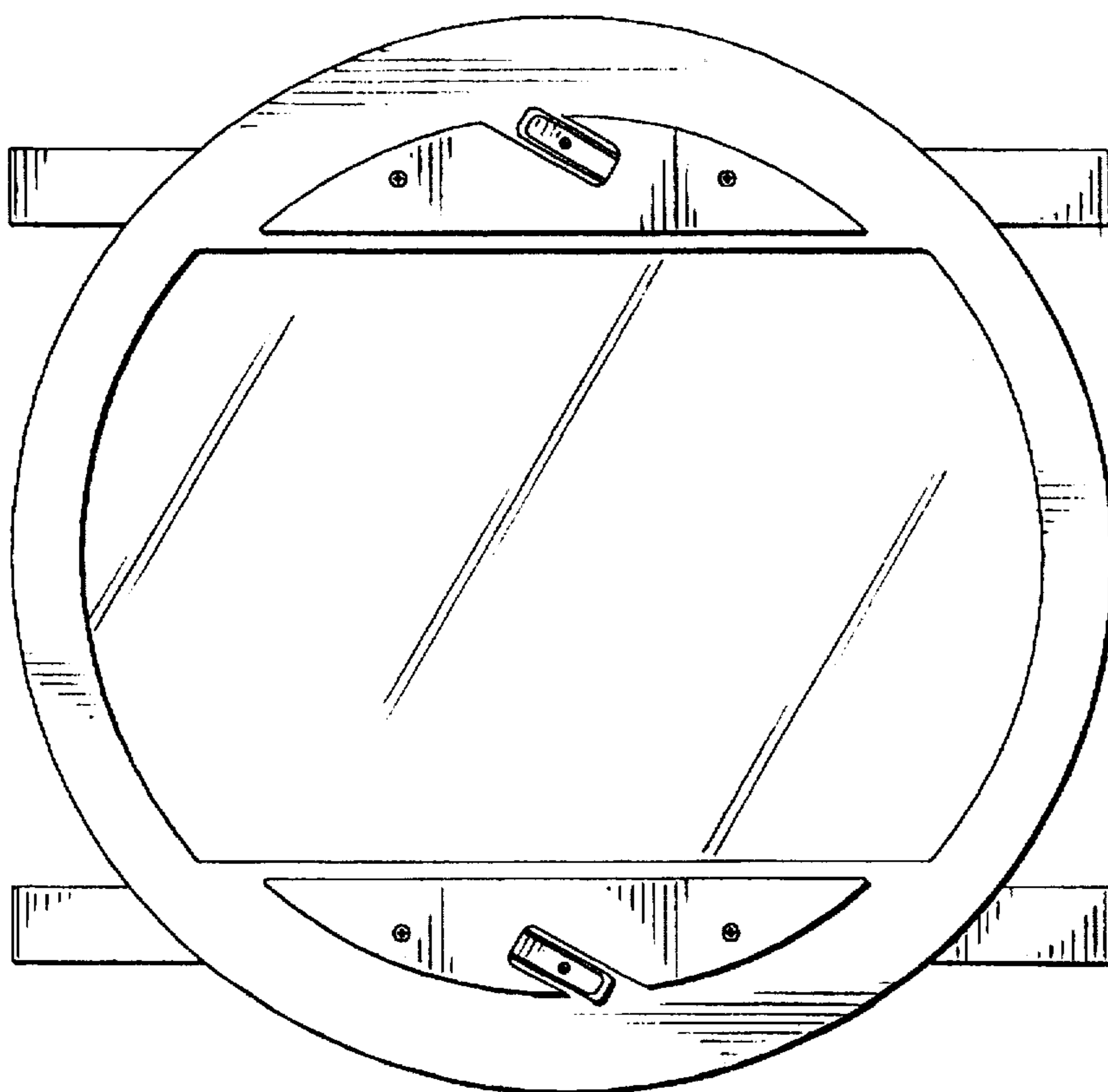
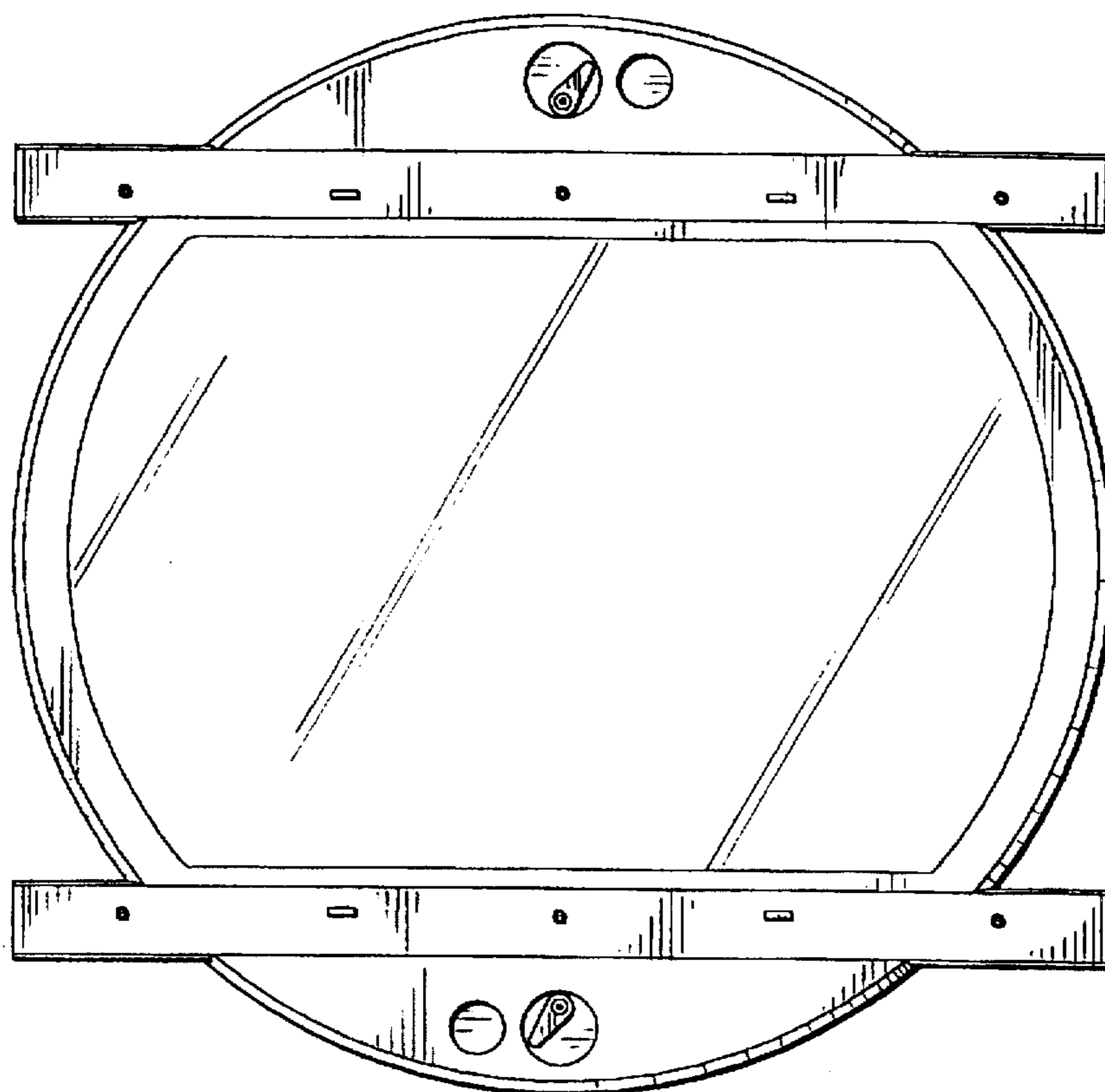


FIG. 5

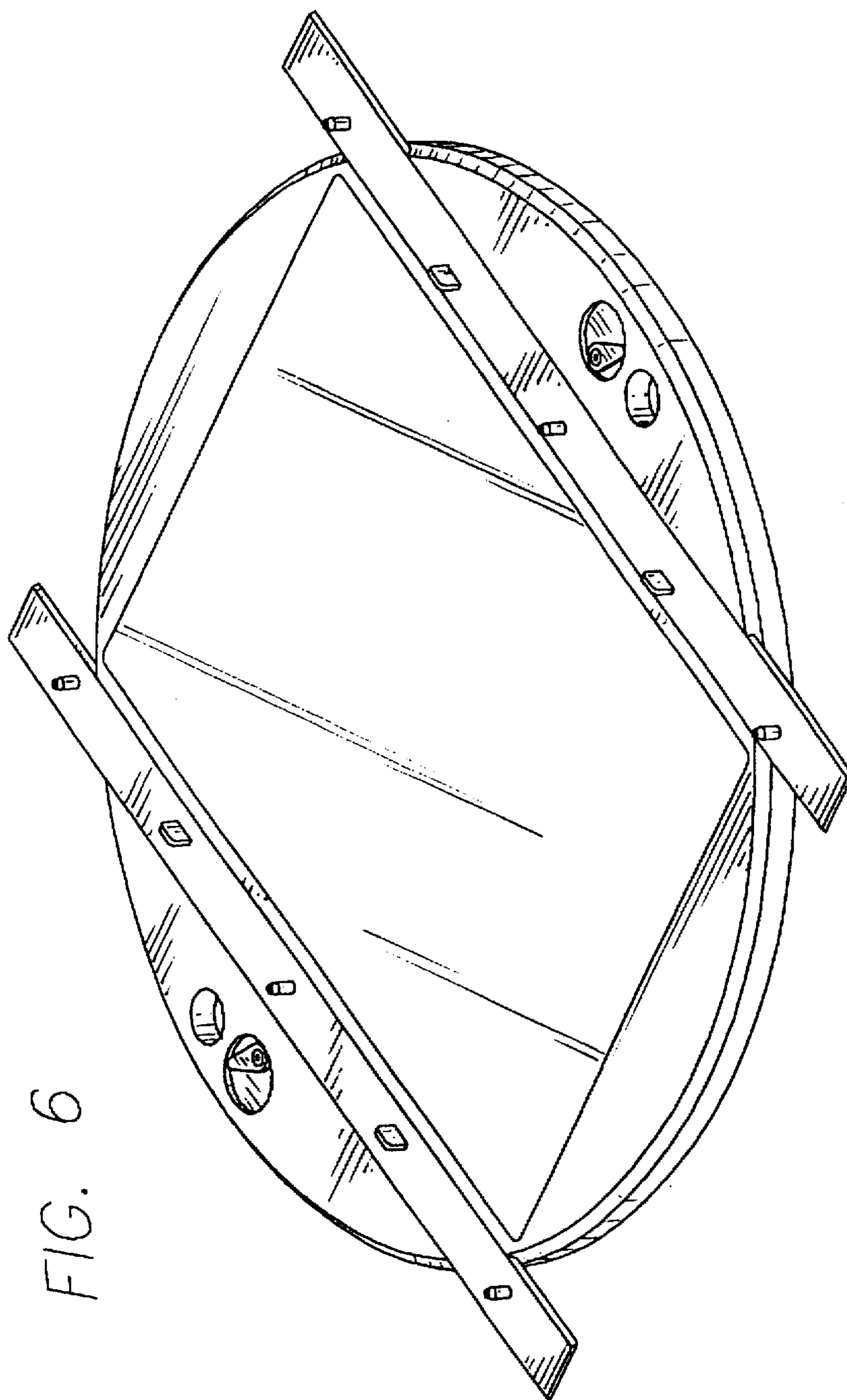


FIG. 6

FIG. 9

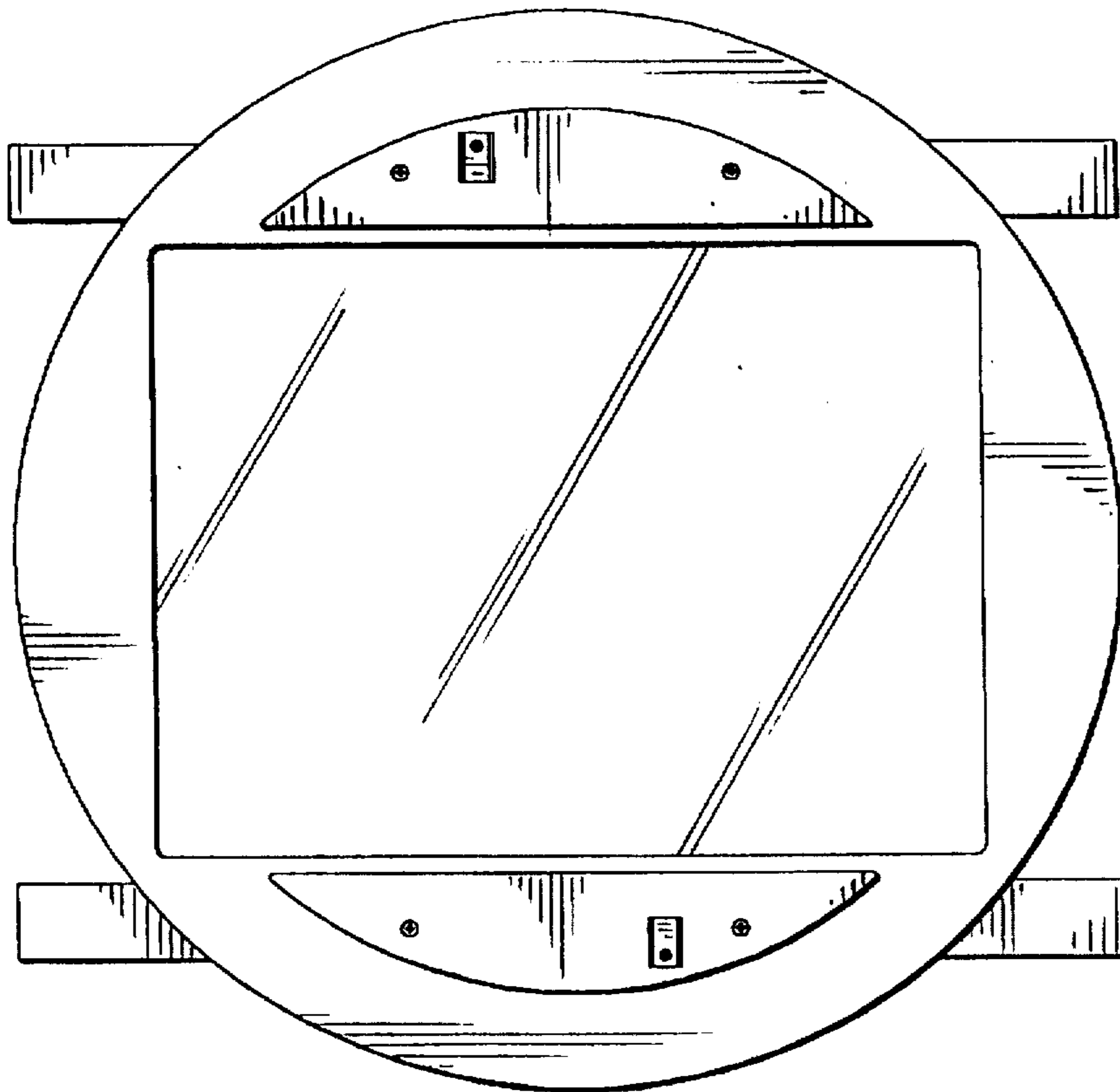
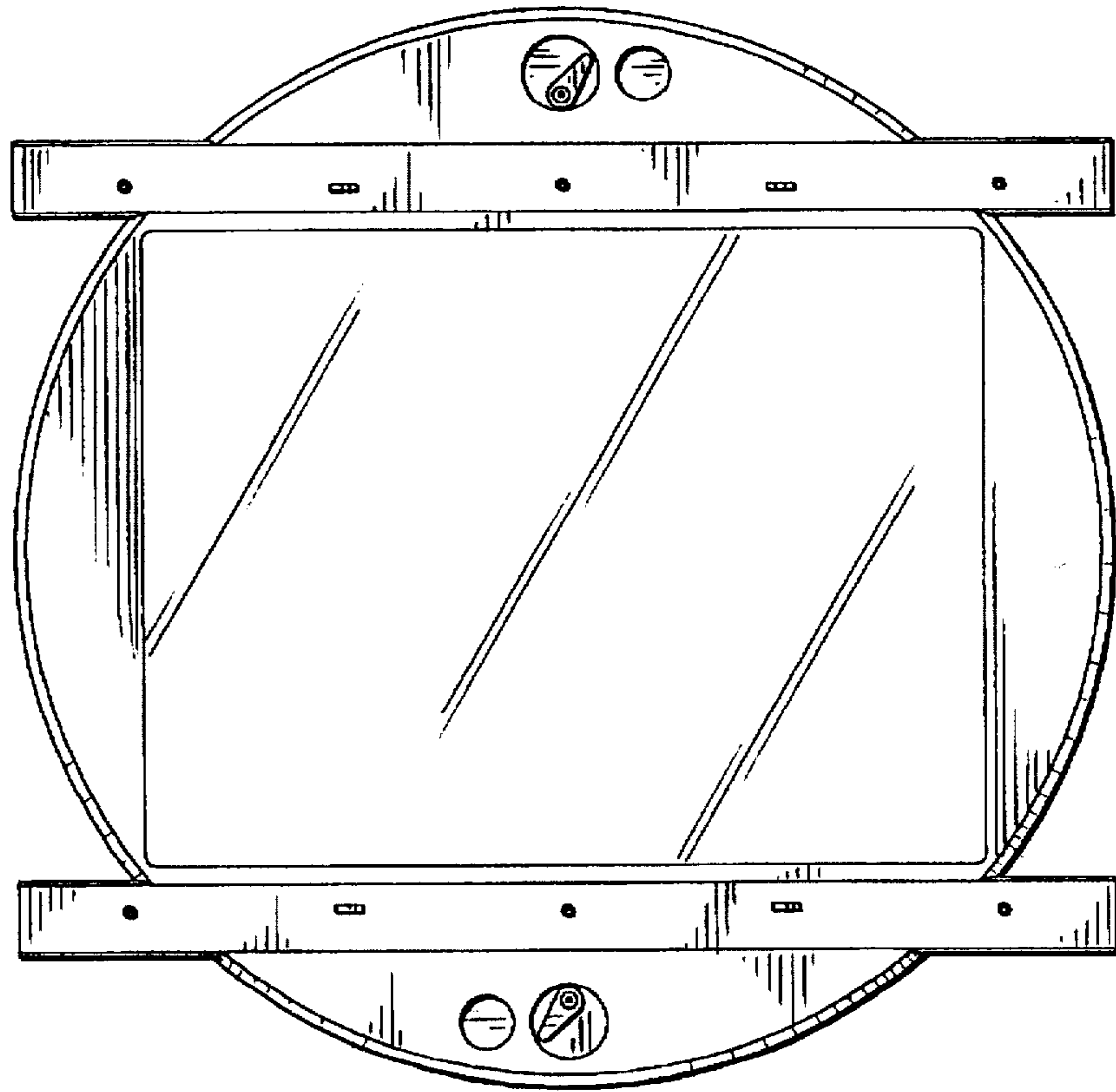


FIG. 10