



US00D393422S

**United States Patent** [19]  
**Pecher**

[11] **Patent Number:** **Des. 393,422**

[45] **Date of Patent:** **\*\*Apr. 14, 1998**

[54] **DOUGHNUT BOX BLANK**  
[75] **Inventor:** **Charles G. Pecher, St. Louis, Mo.**  
[73] **Assignee:** **Skinner & Kennedy Company, St. Louis, Mo.**  
[\*\*] **Term:** **14 Years**  
[21] **Appl. No.:** **53,020**  
[22] **Filed:** **Mar. 29, 1996**  
[51] **LOC (6) Cl.** ..... **09-07**  
[52] **U.S. Cl.** ..... **D9/433**  
[58] **Field of Search** ..... **D9/346, 414-415, D9/431-433; 229/117.15, 195**

2,714,982 8/1955 Strauss .  
2,805,813 9/1957 Rittmueller .  
3,722,782 3/1973 Collie .  
5,042,715 8/1991 McNeill ..... 229/117.15  
5,060,850 10/1991 Weaver ..... 229/117.15 X

*Primary Examiner*—Prabhakar G. Deshmukh  
*Assistant Examiner*—Nanda Bondade  
*Attorney, Agent, or Firm*—Armstrong, Teasdale, Schlafly & Davis

[57] **CLAIM**

The ornamental design for a doughnut box blank, as shown and described.

**DESCRIPTION**

FIG. 1 is a perspective view of a doughnut box blank showing my new design; and, FIG. 2 is a top plan view thereof, the bottom view being a mirror image.

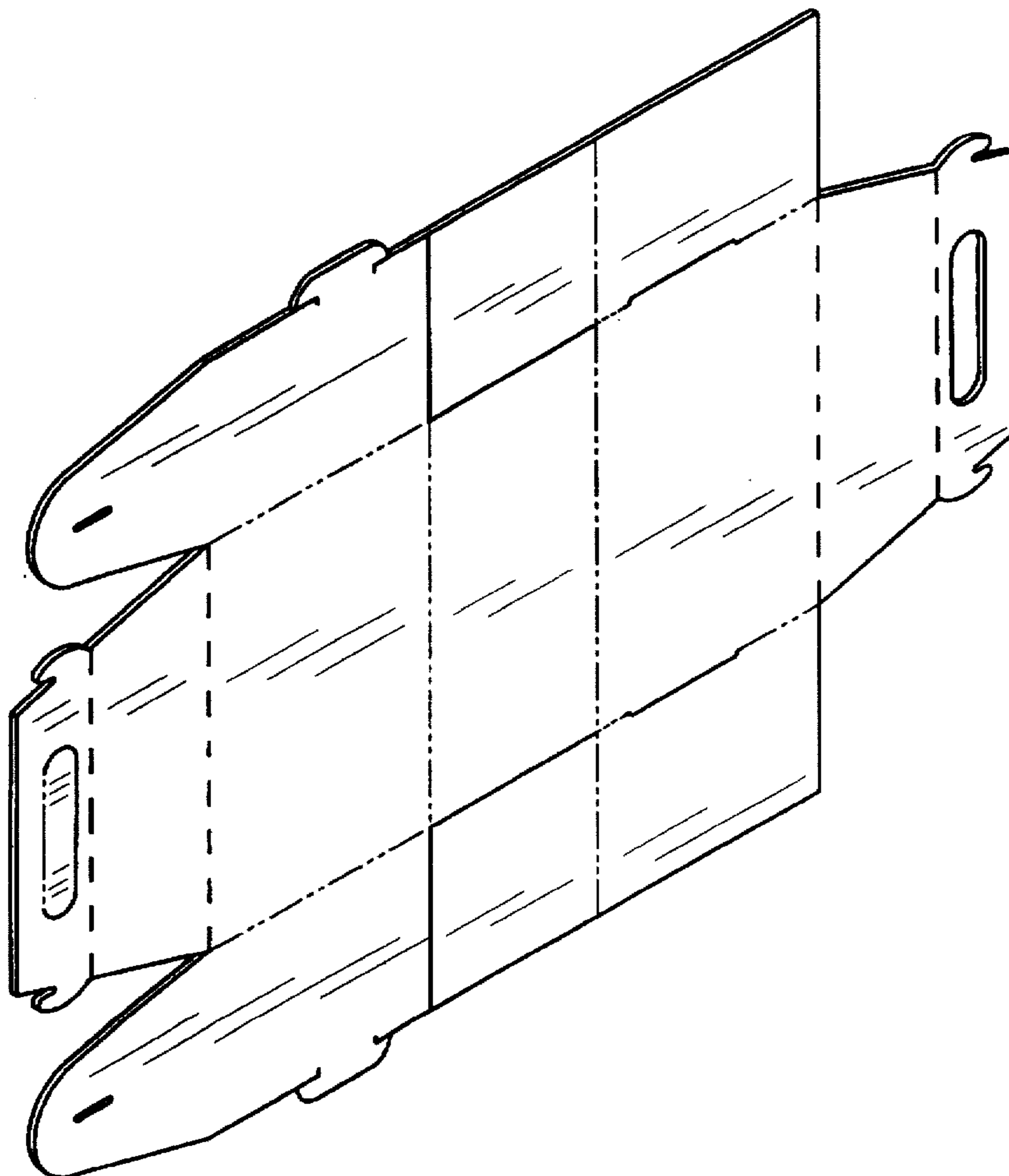
The doughnut box blank is constructed of material of conventional thickness, and the dash lines in the drawing represent fold lines.

**1 Claim, 1 Drawing Sheet**

[56] **References Cited**

**U.S. PATENT DOCUMENTS**

D. 237,144 10/1975 Graser ..... D9/433 X  
D. 272,724 2/1984 Killy ..... D9/433  
1,011,752 12/1911 Cowlishaw .  
1,527,399 2/1925 Davidson .  
1,982,962 12/1934 McAleer .  
1,983,010 12/1934 Spees .



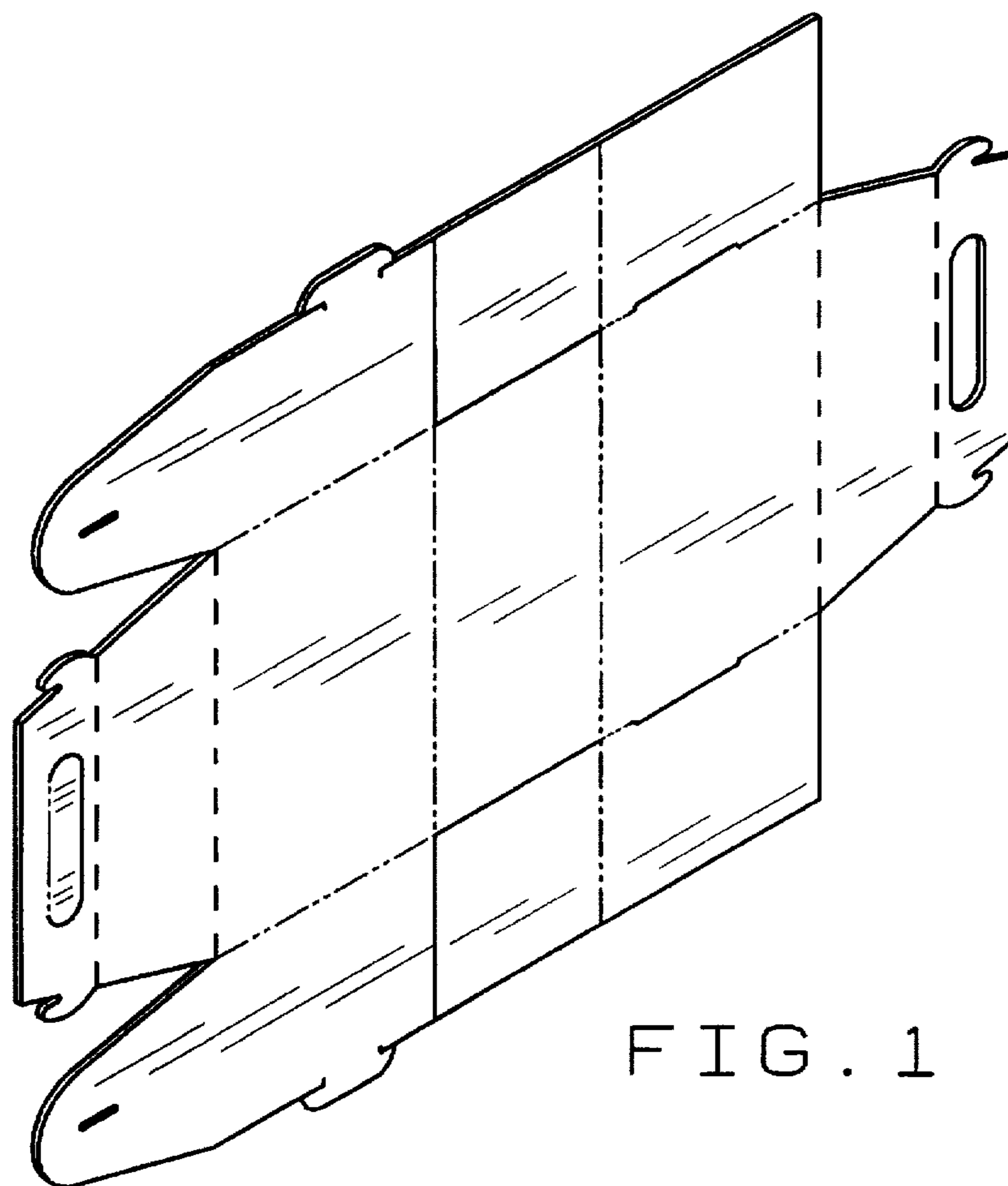


FIG. 1

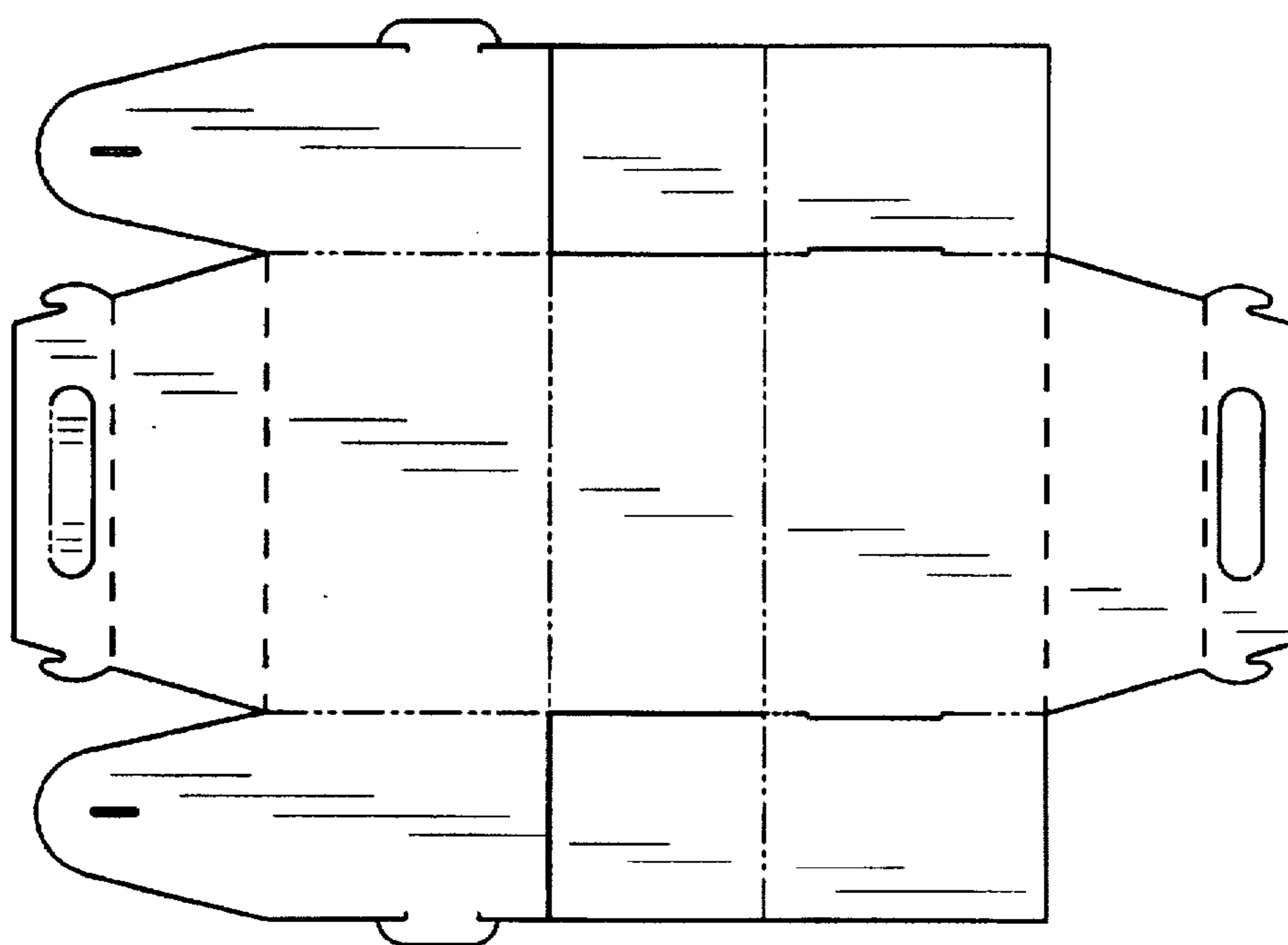


FIG. 2