



US00D393416S

United States Patent [19]

Tisbo

[11] Patent Number: **Des. 393,416**

[45] Date of Patent: ****Apr. 14, 1998**

[54] **SHELF BRACKET**

[75] Inventor: **Thomas A. Tisbo, Barrington Hills, Ill.**

[73] Assignee: **Suncast Corporation, Batavia, Ill.**

[**] Term: **14 Years**

[21] Appl. No.: **42,541**

[22] Filed: **Aug. 11, 1995**

[51] LOC (6) Cl. **08-05**

[52] U.S. Cl. **D8/381**

[58] Field of Search D8/380, 381, 367,
D8/373; D6/572, 553; 248/235, 237, 243,
247, 251

[56] **References Cited**

U.S. PATENT DOCUMENTS

D. 266,124 9/1982 Stankewich D8/367

D. 312,959 12/1990 Hamann D8/367
D. 315,091 3/1991 Embree et al. D8/367
3,189,185 6/1965 Grasso 248/300 X

Primary Examiner—Holly H. Baynham
Attorney, Agent, or Firm—McHale & Slavin, P.A.

[57] **CLAIM**

The ornamental design for a shelf bracket, as shown and described.

DESCRIPTION

FIG. 1 is a front plane view of the shelf bracket of the instant invention;
FIG. 2 is a right side view;
FIG. 3 is a left side view;
FIG. 4 is a top view;
FIG. 5 is a bottom view; and,
FIG. 6 is a rear view.

1 Claim, 2 Drawing Sheets

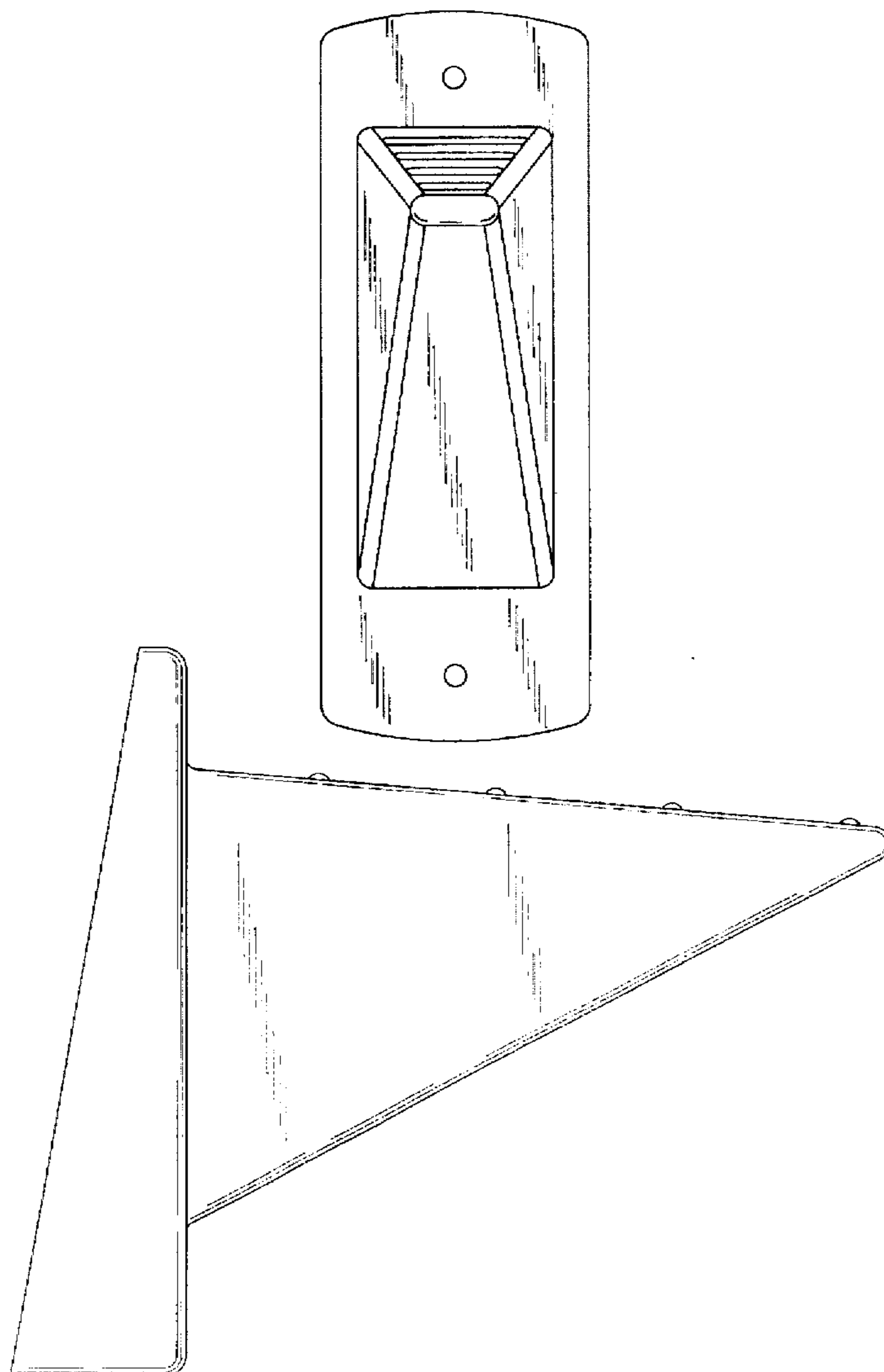


FIG. 1

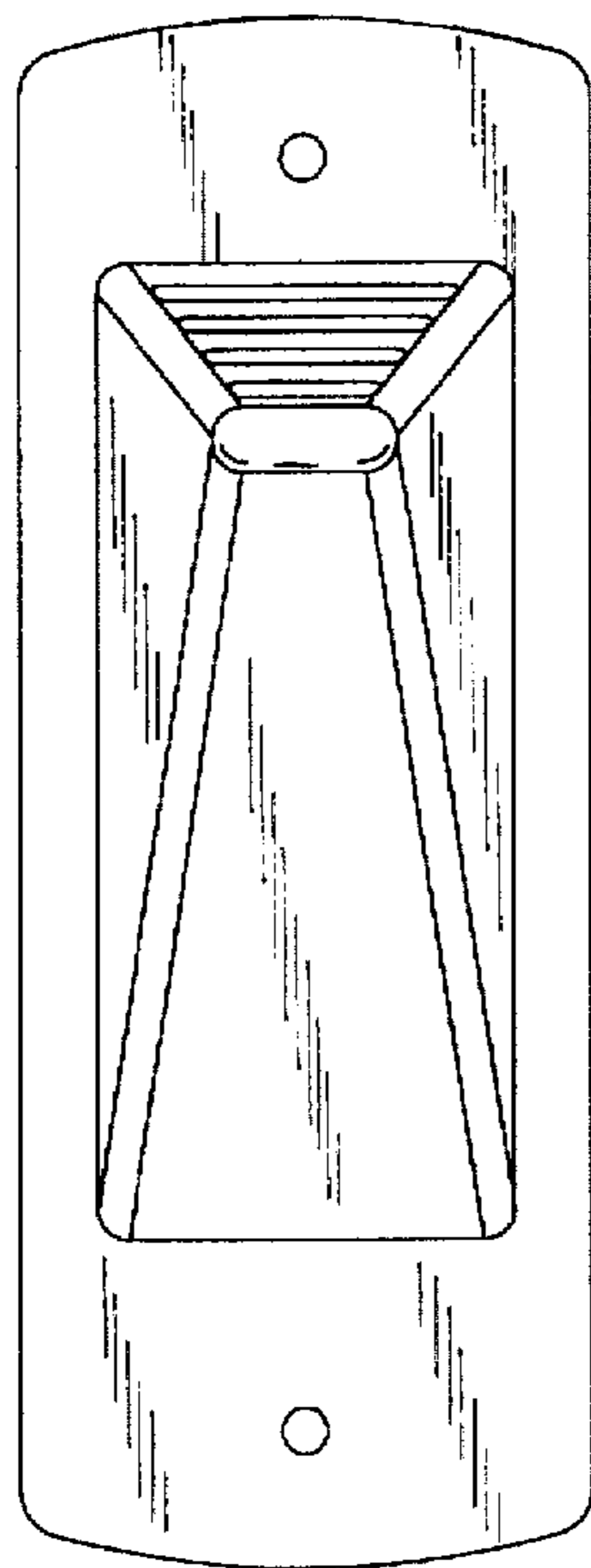


FIG. 6

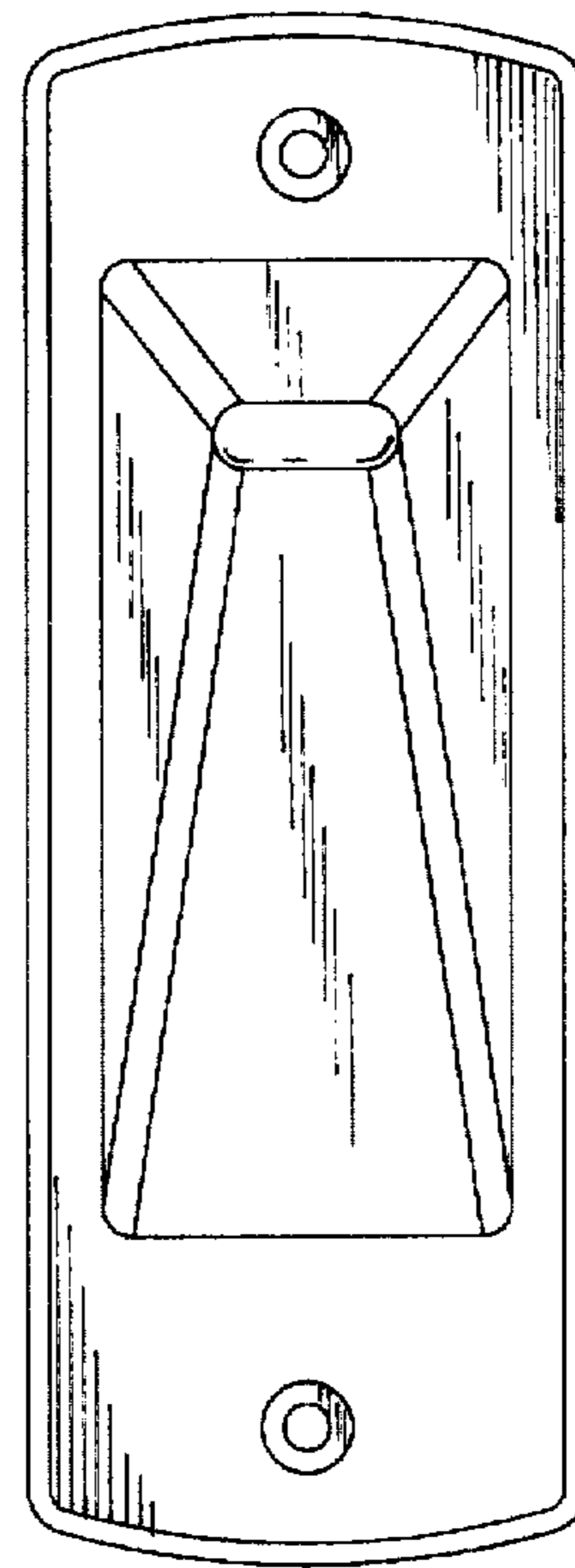


FIG. 4

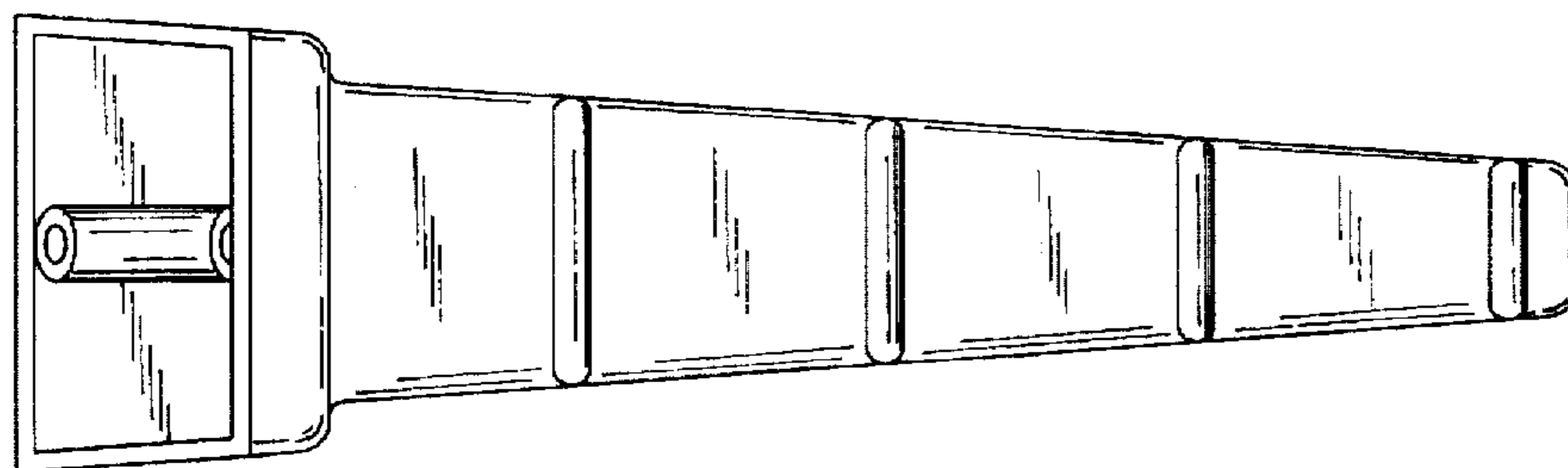


FIG. 5

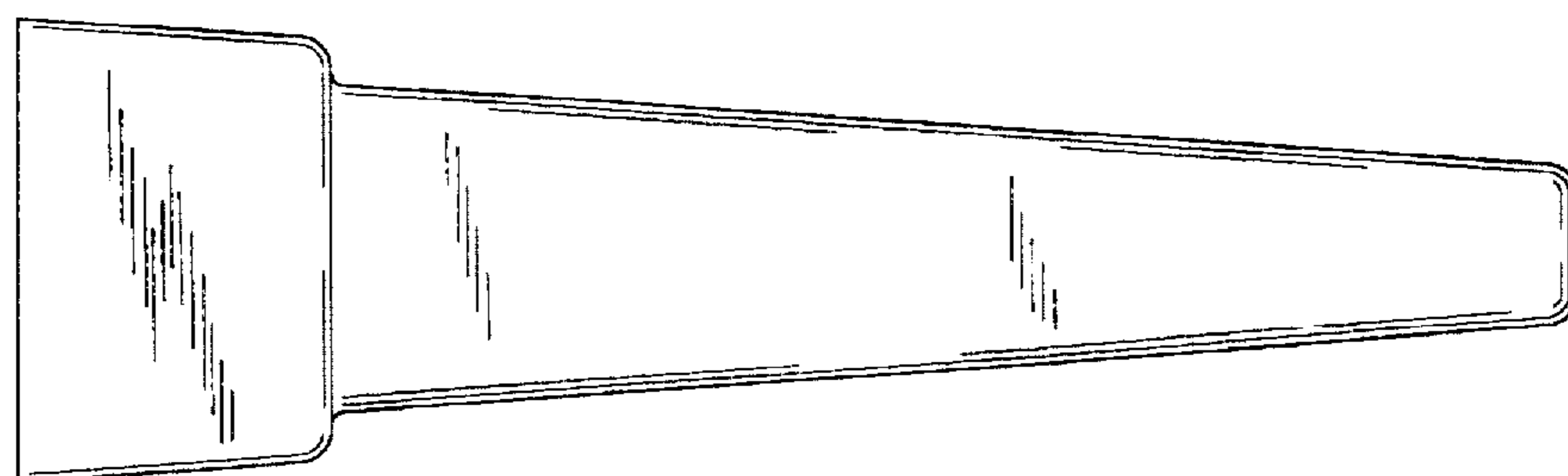


FIG. 2

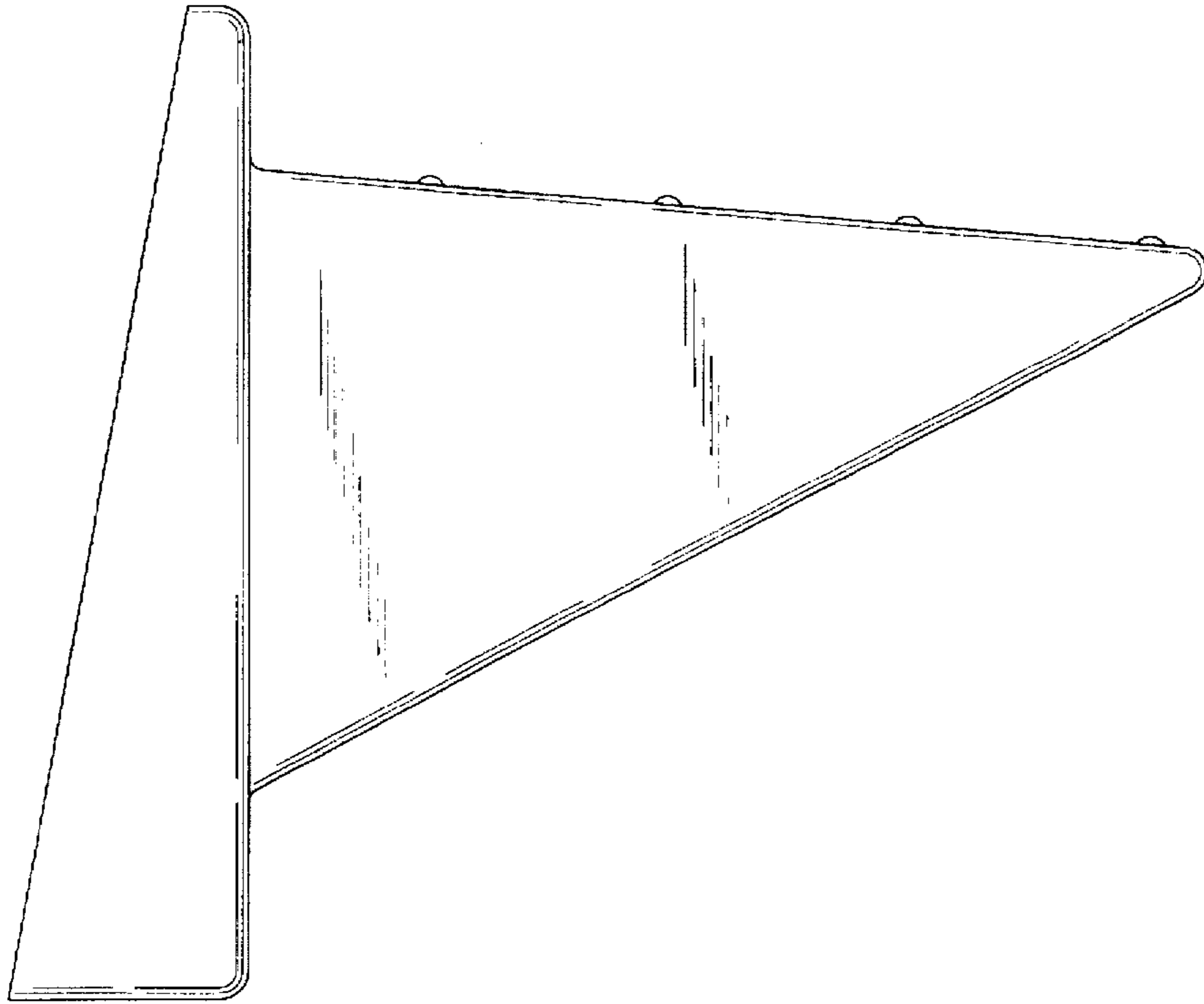


FIG. 3

