



US00D393413S

United States Patent [19]

[11] Patent Number: Des. 393,413

Brown

[45] Date of Patent: **Apr. 14, 1998

[54] LADDER PAINT BUCKET HOOK

5,226,623	7/1993	Hunt et al.	248/211
5,276,943	1/1994	Ludy	248/211 X
5,305,977	4/1994	Roth	248/210

[76] Inventor: Robert A. Brown, 898 Cortland Rd., Groton, N.Y. 13073

Primary Examiner—Holly Baynham
Attorney, Agent, or Firm—John D. Gugliotta

[**] Term: 14 Years

[57] CLAIM

[21] Appl. No.: 69,070

The ornamental design for a ladder paint bucket hook, as shown and described.

[22] Filed: Mar. 24, 1997

[51] LOC (6) Cl. 08-05

DESCRIPTION

[52] U.S. Cl. D8/370

[58] Field of Search D8/367, 370, 373; 248/210-211, 303, 302

FIG. 1 is a perspective view of a ladder paint bucket hook showing my new design;

FIG. 2 is an enlarged left side elevational view thereof, the opposite side being a mirror image;

FIG. 3 is a top plan view thereof;

FIG. 4 is a bottom plan view thereof;

FIG. 5 is a front elevational view thereof; and,

FIG. 6 is a rear elevational view.

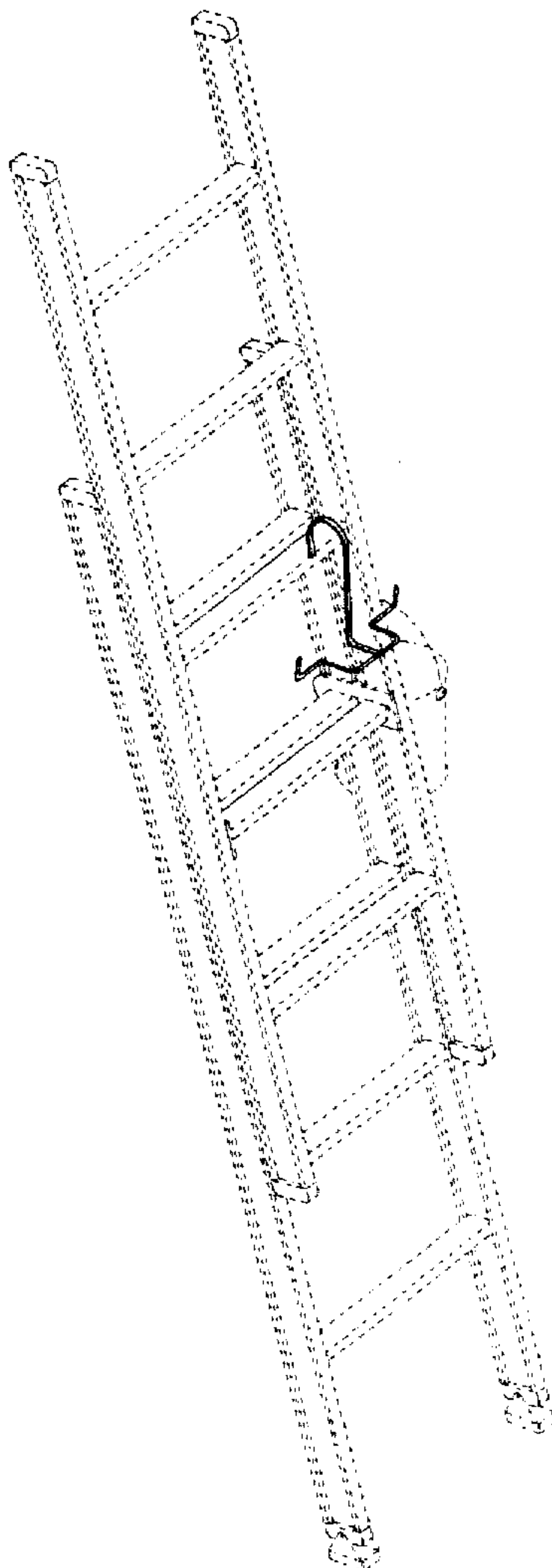
The broken line showing of a ladder and paint bucket are illustrative purposes only and forms no part of the claimed design.

[56] References Cited

U.S. PATENT DOCUMENTS

D. 307,384	4/1990	Phillips	D8/373
D. 313,169	12/1990	Scott et al.	D5/373
D. 313,742	1/1991	Ruff	D8/373
2,645,443	7/1953	Pelletier	248/211
2,855,170	10/1958	Spinello	248/211
3,203,658	8/1965	Brown	248/211
4,776,550	10/1988	Storey	248/210

1 Claim, 1 Drawing Sheet



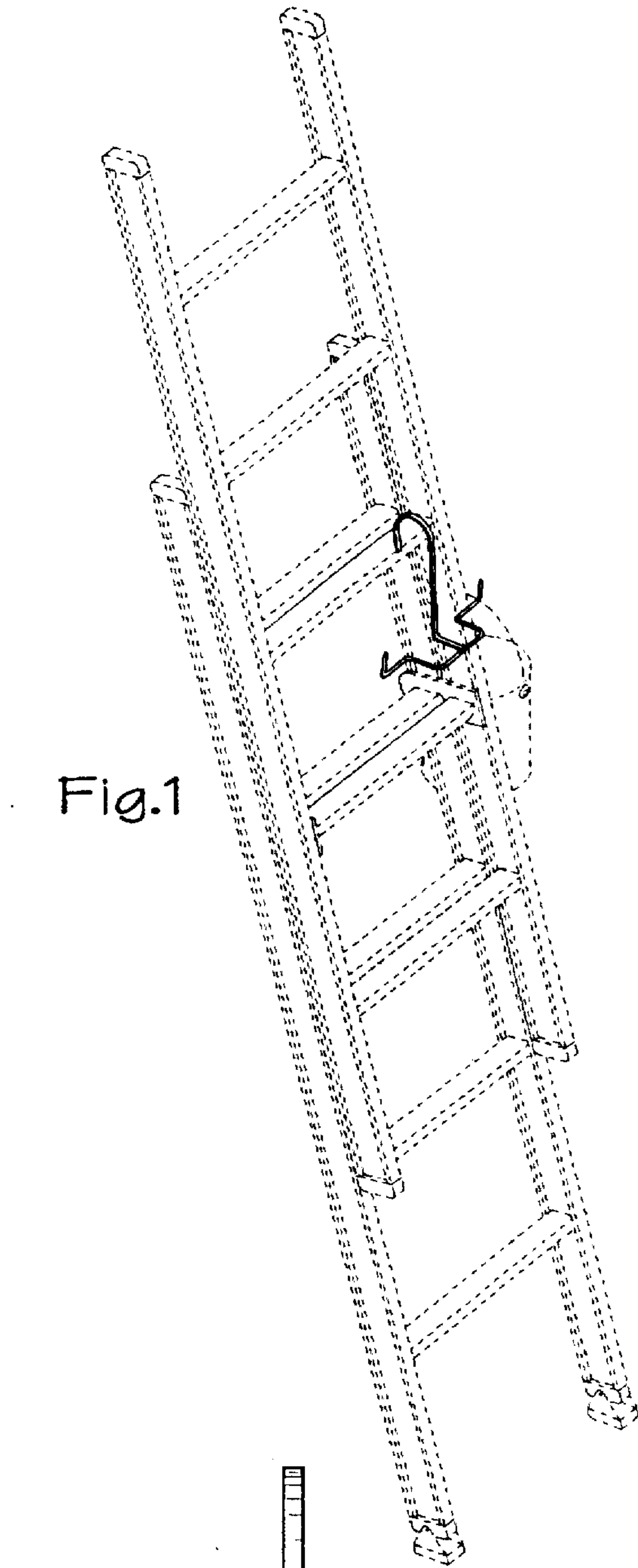


Fig.1



Fig.2

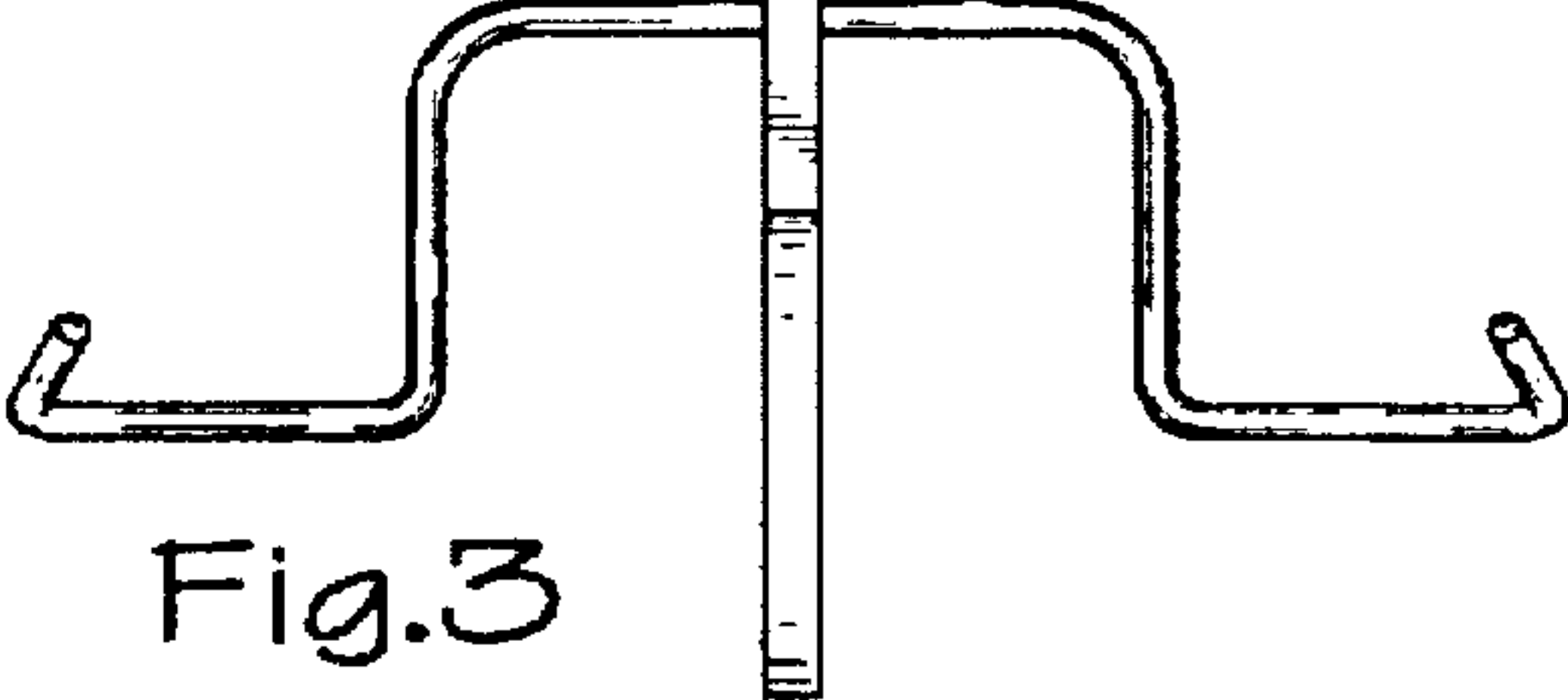


Fig.3

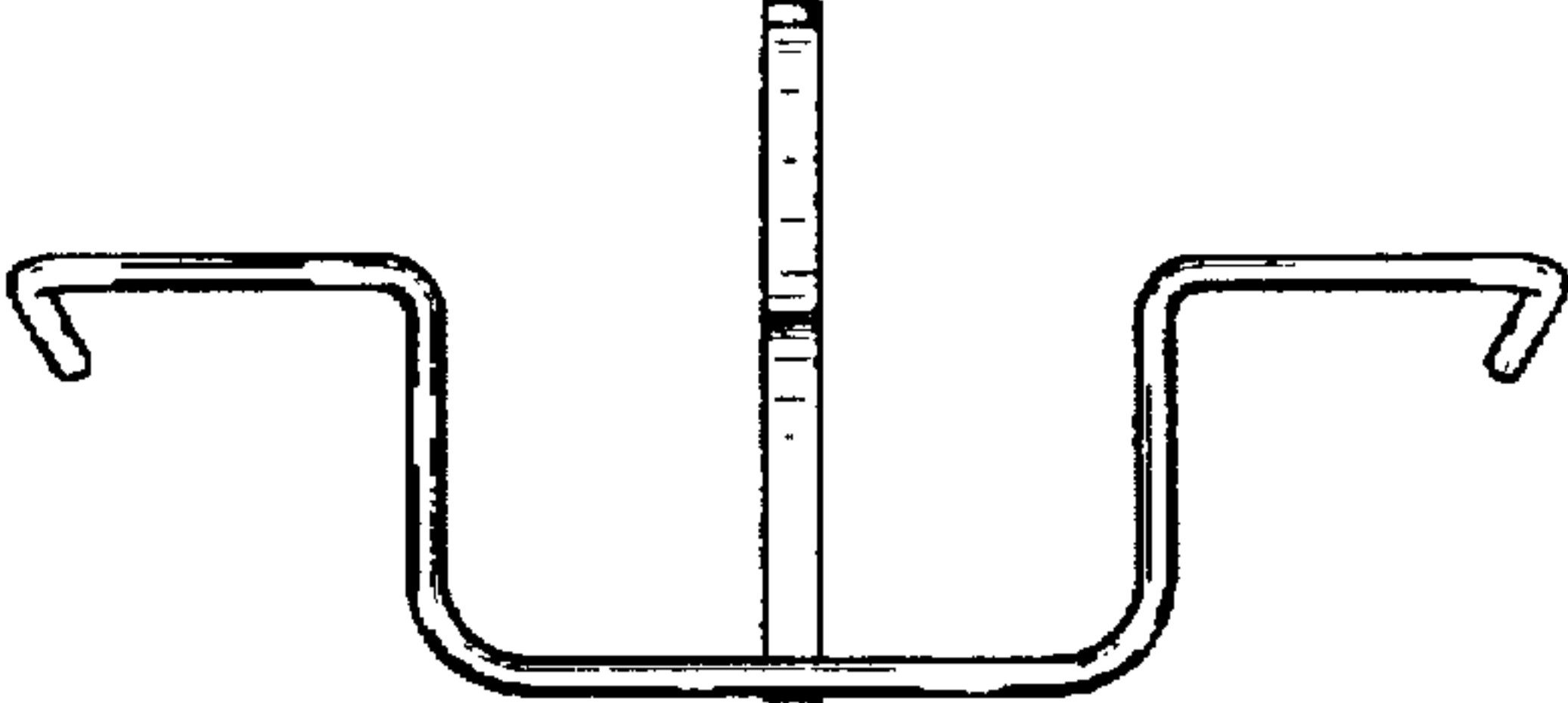


Fig.4

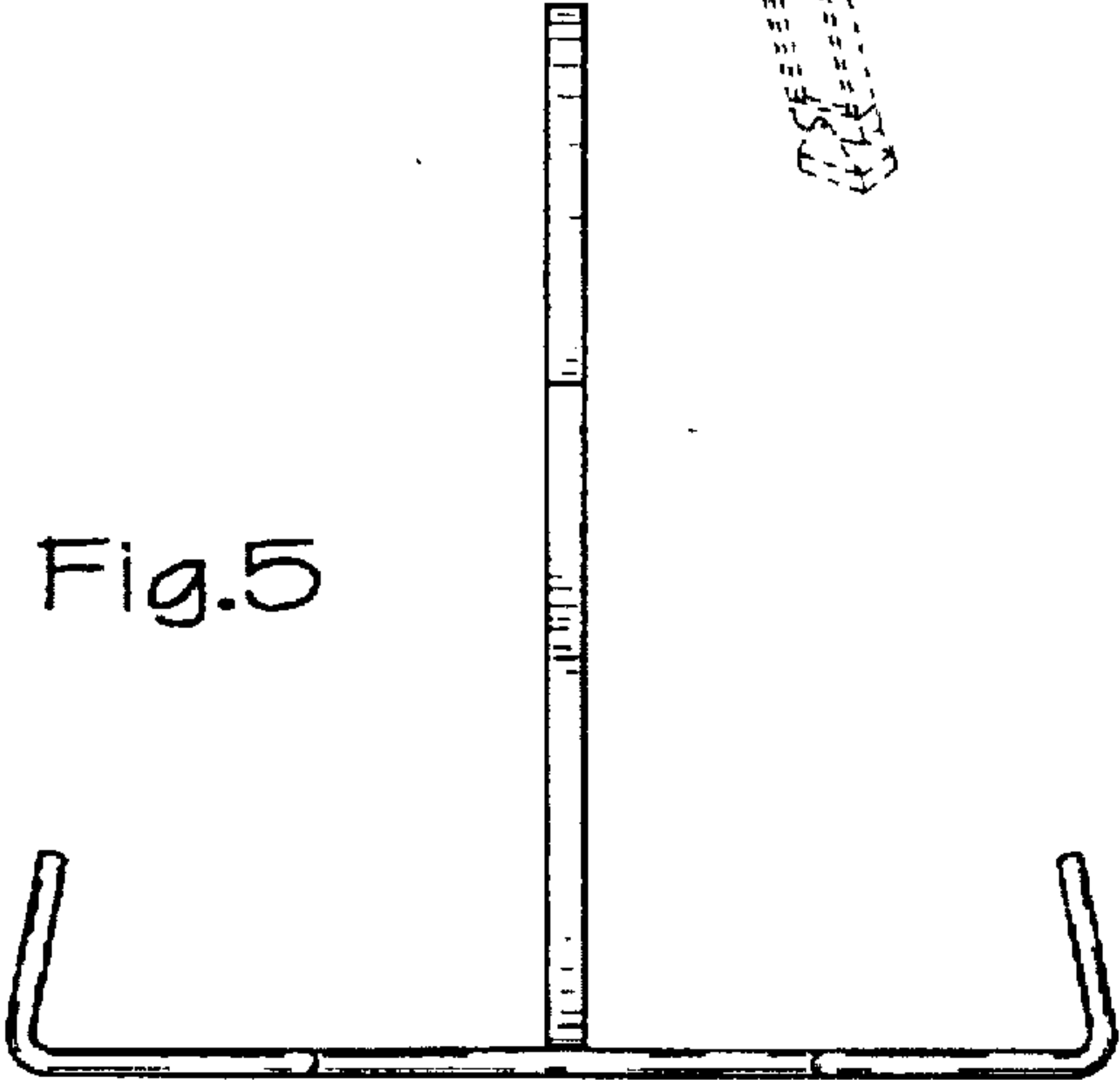


Fig.5

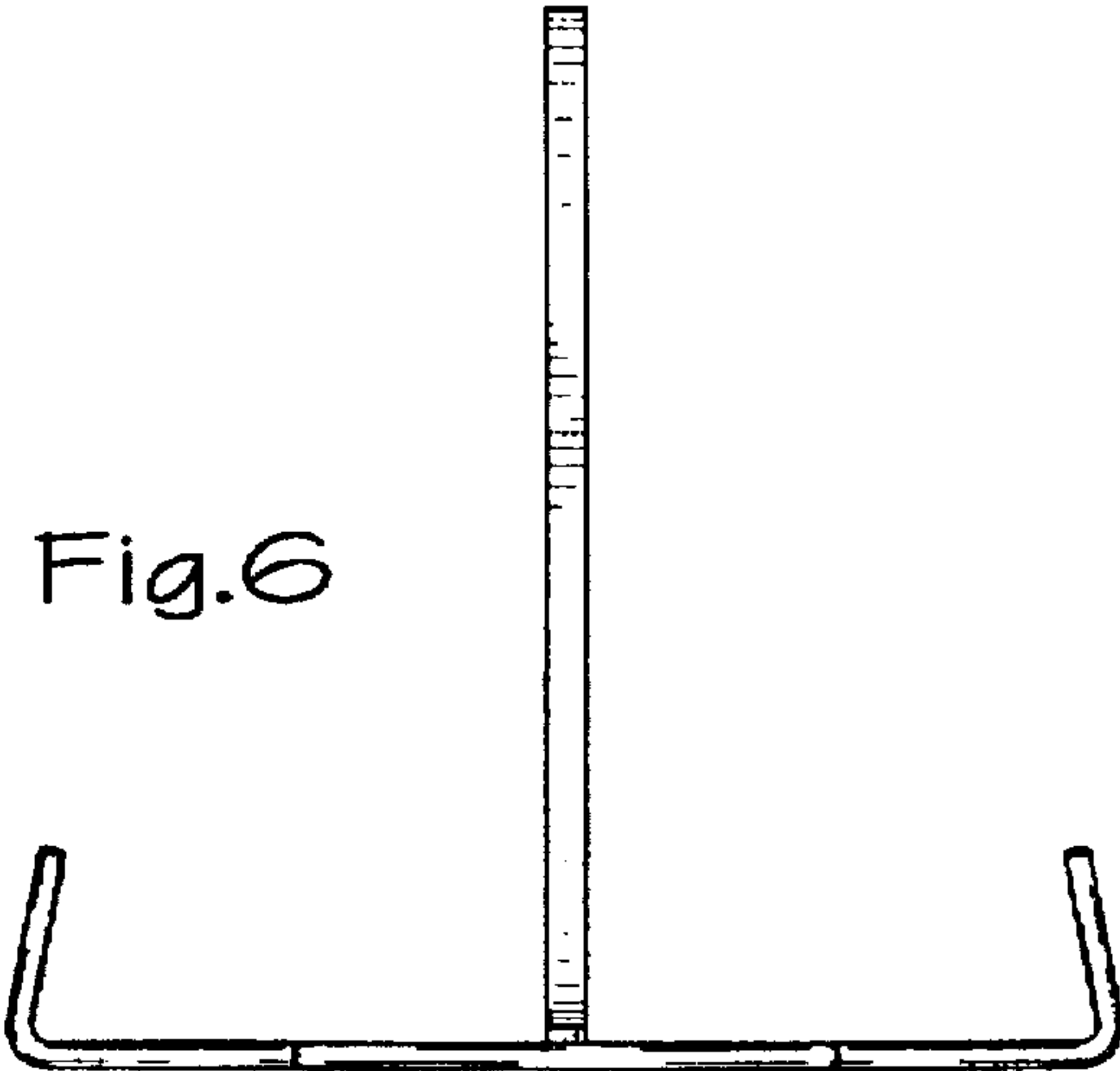


Fig.6