



US00D393409S

# United States Patent [19]

[11] Patent Number: **Des. 393,409**

**Azzarello**

[45] Date of Patent: **\*\*Apr. 14, 1998**

[54] **ROPE HOLDER APPARATUS**

2,805,290 9/1957 Wentsel .  
3,731,887 5/1973 Wheeler ..... 242/395

[76] Inventor: **Charles G. Azzarello**, 1106 Dean Ave.,  
San Jose, Calif. 95125

*Primary Examiner*—Susan J. Lucas  
*Assistant Examiner*—Cynthia E. Ramirez

[\*\*] Term: **14 Years**

[57] **CLAIM**

[21] Appl. No.: **65,037**

The ornamental design for a rope holder apparatus, as shown.

[22] Filed: **Jan. 17, 1997**

### DESCRIPTION

[51] LOC (6) Cl. .... **08-05**

[52] U.S. Cl. .... **D8/356; D8/358**

[58] Field of Search ..... D8/358, 356; D13/140;  
242/395, 405.3, 403.1, 608.1

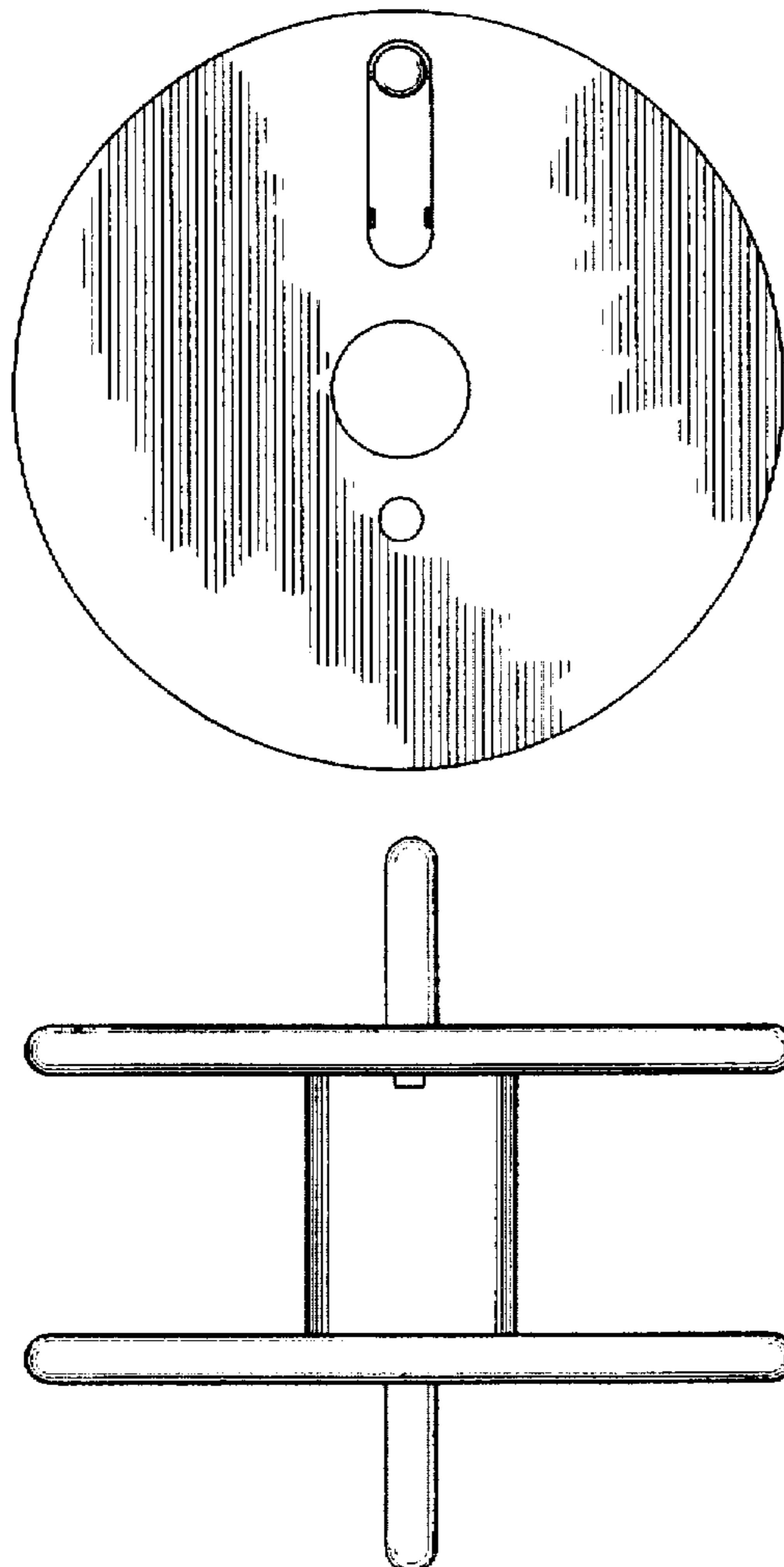
FIG. 1 is a left side elevational view of the rope holder apparatus of the present invention;  
FIG. 2 is a right side elevational view of the rope holder apparatus of FIG. 1;  
FIG. 3 is a front elevational view of the rope holder apparatus of FIG. 1;  
FIG. 4 is a back elevational view of the rope holder apparatus of FIG. 1;  
FIG. 5 is a top plan view of the rope holder apparatus of FIG. 1; and,  
FIG. 6 is a bottom plan view of the rope holder apparatus of FIG. 1.

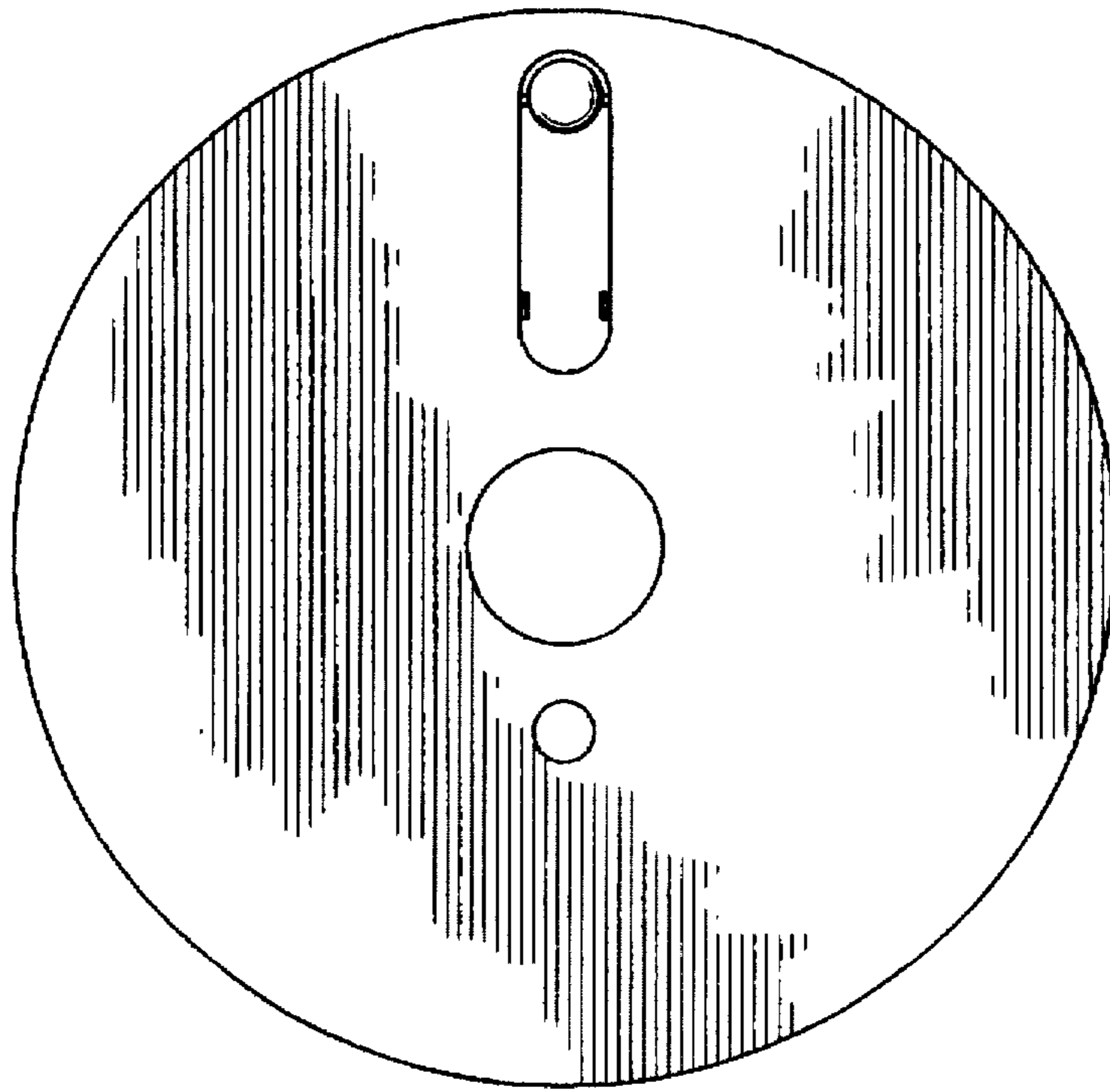
[56] **References Cited**

#### U.S. PATENT DOCUMENTS

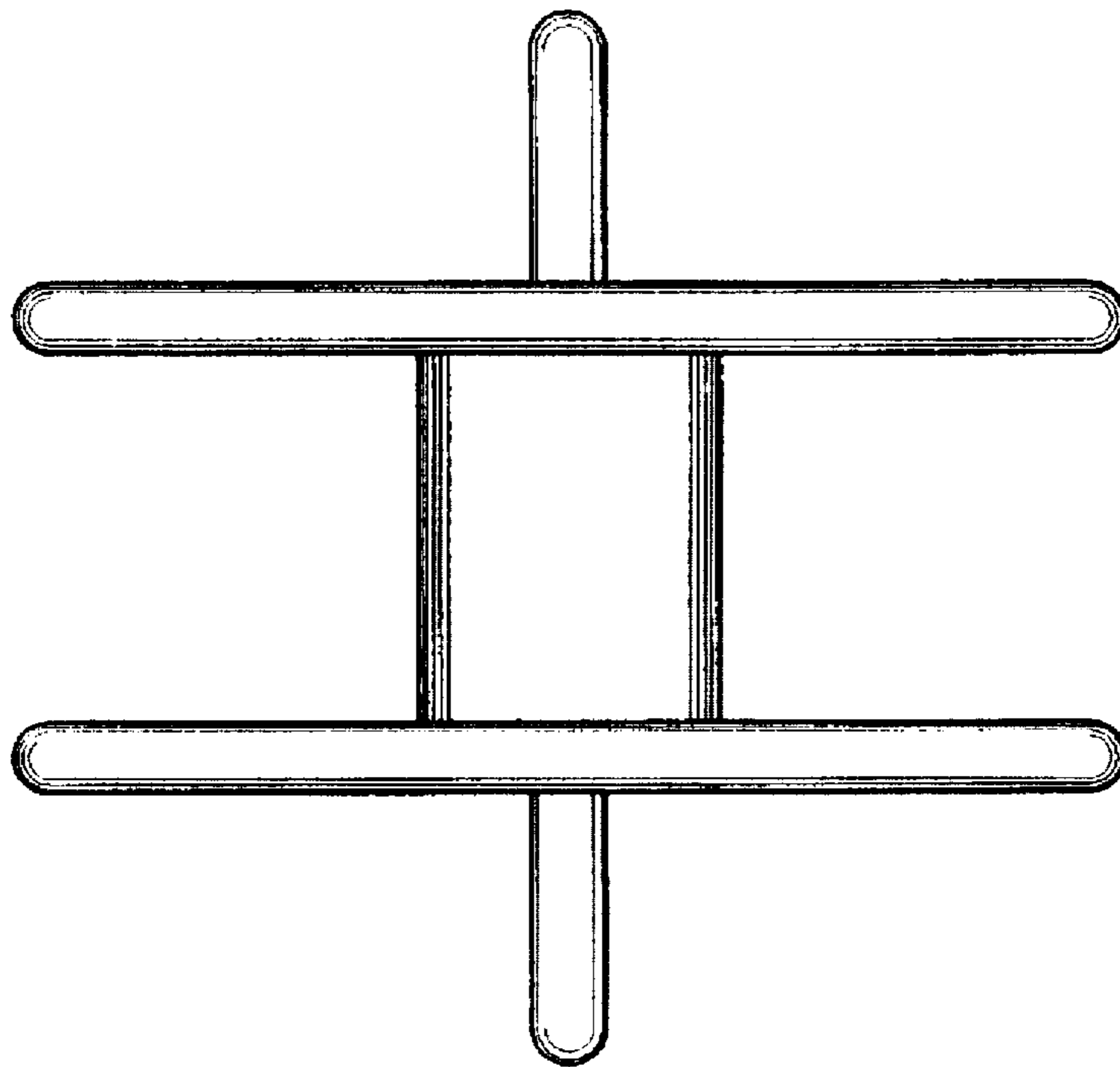
D. 263,371	3/1982	Allen	.....	D8/358
D. 272,485	2/1984	Philips	.....	D8/358 X
D. 274,832	7/1984	Sugimoto	.....	D8/358 X
D. 280,230	8/1985	Matsui	.....	D8/358 X
D. 314,910	2/1991	VanSkiver	.....	D8/358 X
1,783,159	11/1930	Palmer	.	
2,367,214	1/1945	Hedge	.	
2,393,613	1/1946	Combs	.	

**1 Claim, 3 Drawing Sheets**

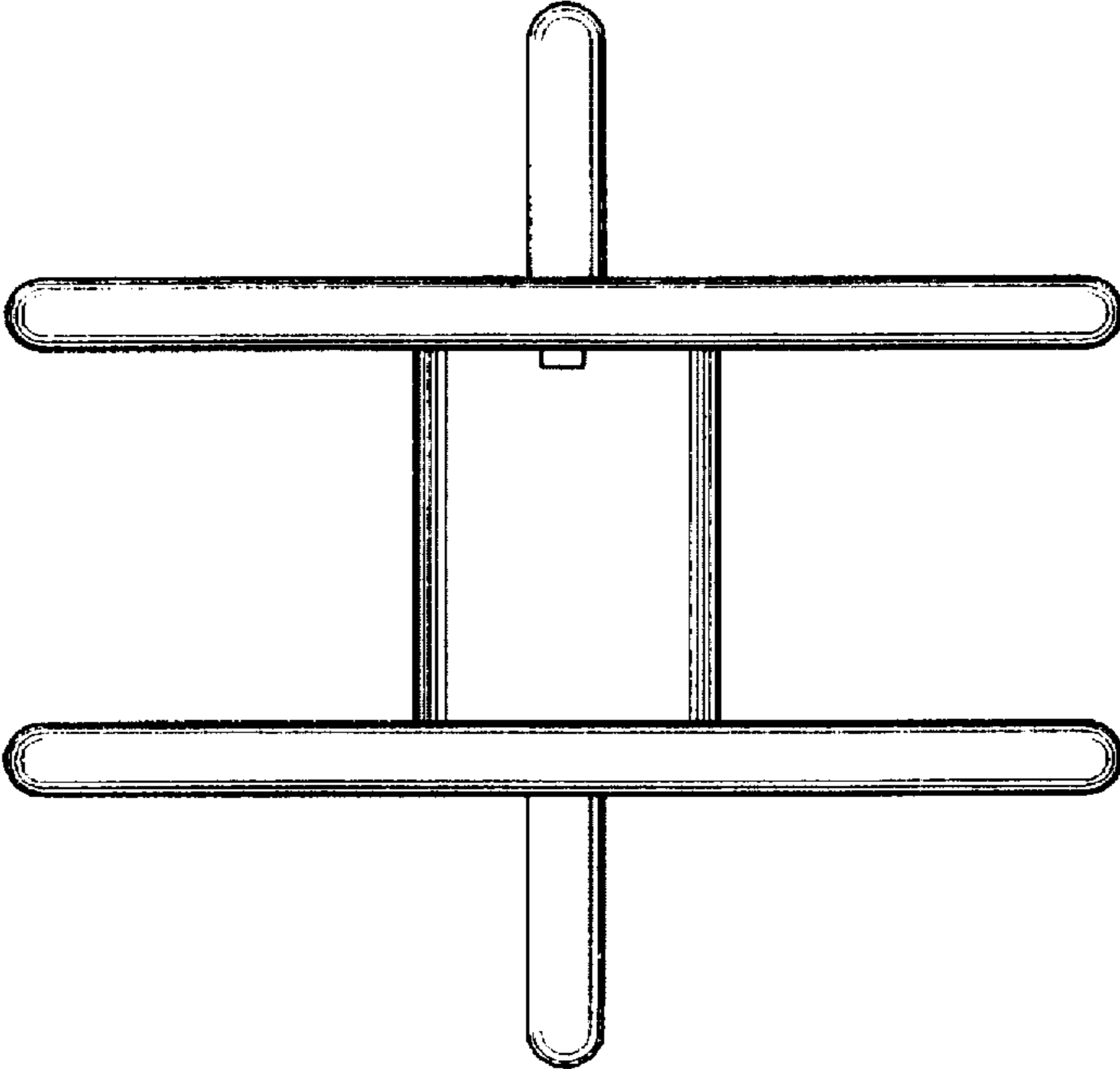




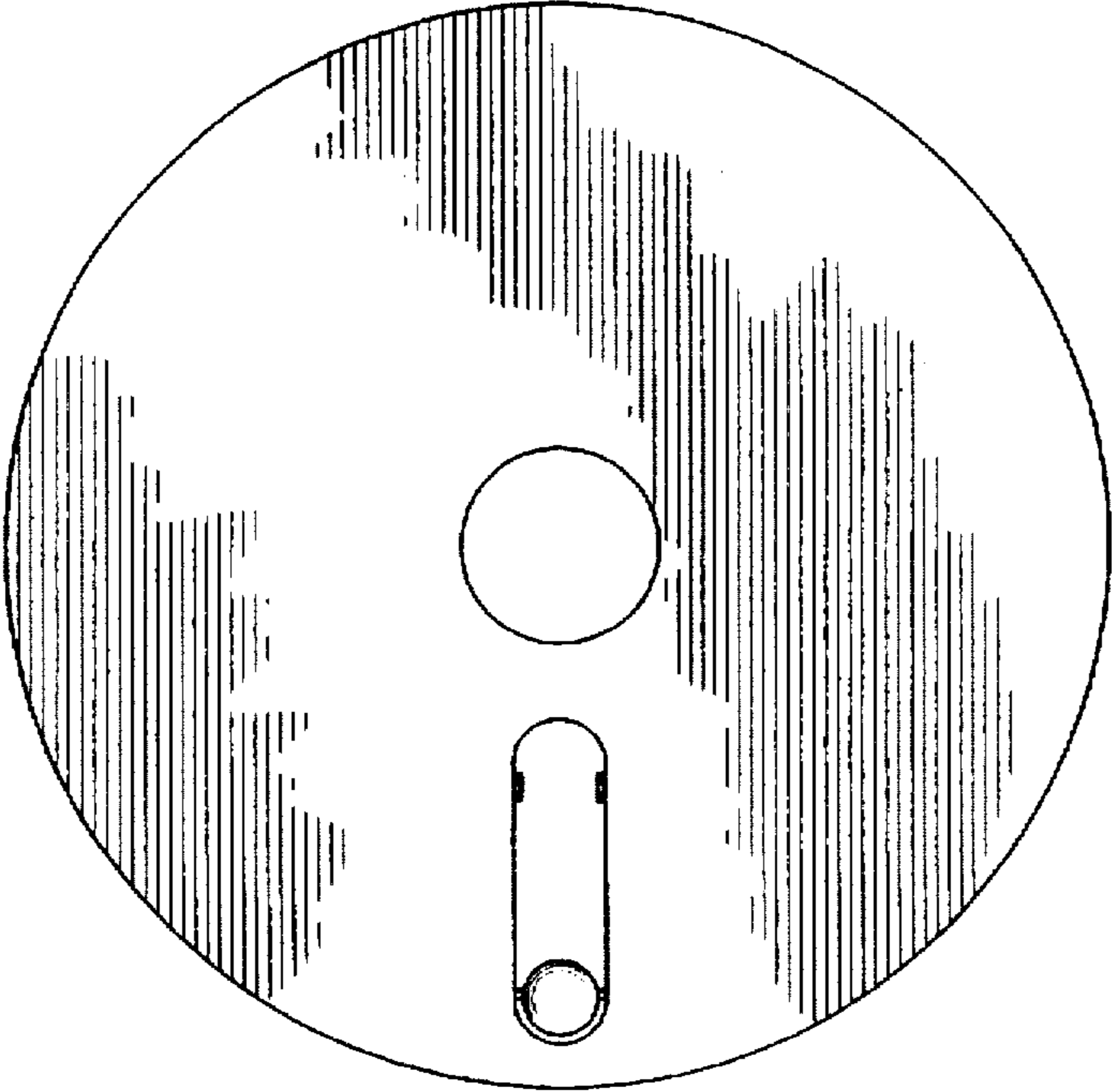
*Fig. 1*



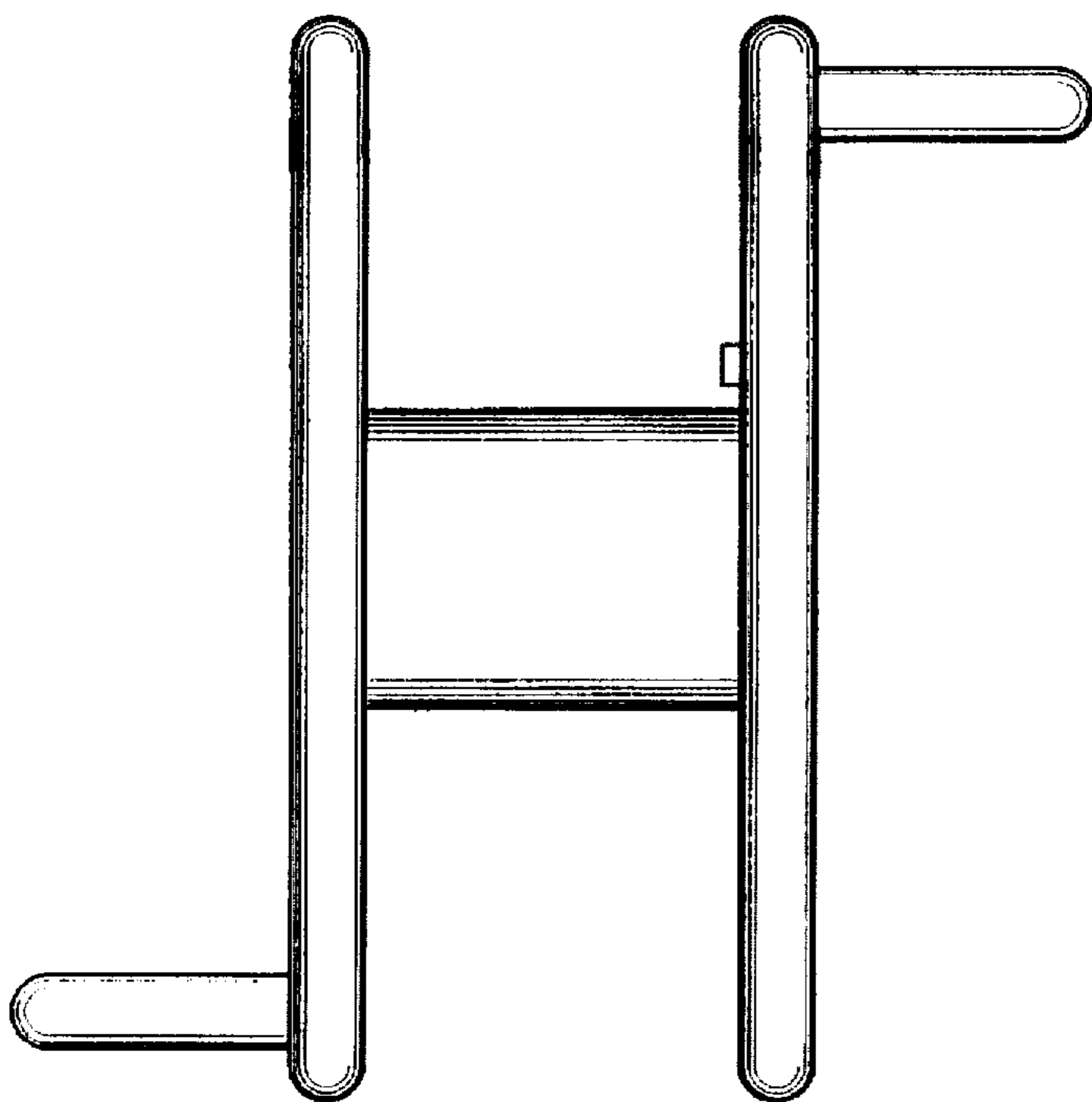
*Fig. 6*



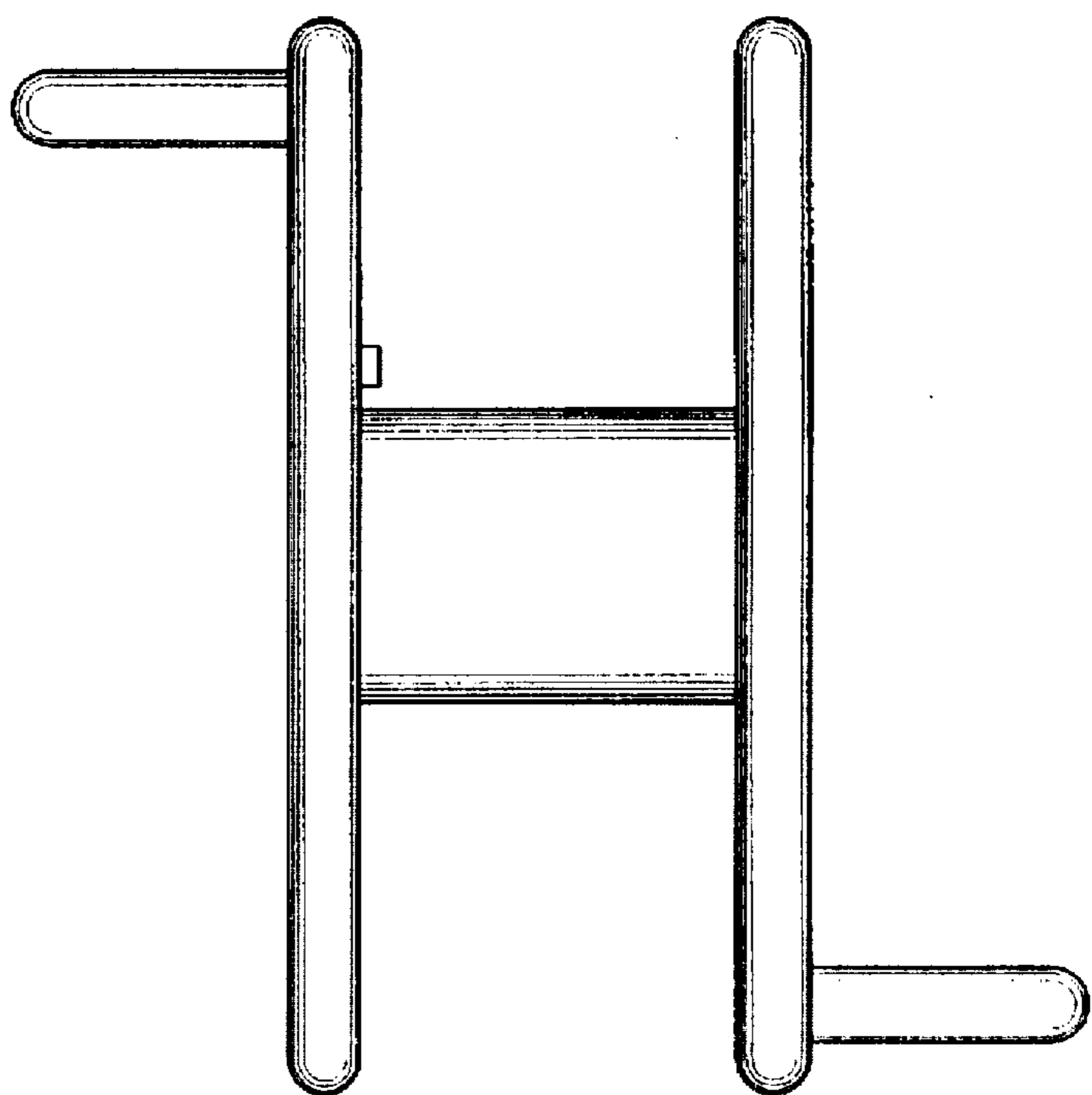
*Fig. 5*



*Fig. 2*



*Fig. 3*



*Fig. 4*