



US00D393400S

United States Patent [19]

Chiu

[11] Patent Number: **Des. 393,400**

[45] Date of Patent: ****Apr. 14, 1998**

[54] **GARLIC PEELER**

[75] Inventor: **Terance Chi Ping Chiu, Hong Kong, Hong Kong**

[73] Assignee: **Forexim (H.K.) Limited, Kowloon, Hong Kong**

[**] Term: **14 Years**

[21] Appl. No.: **58,809**

[22] Filed: **Aug. 23, 1996**

[51] LOC (6) Cl. **07-06**

[52] U.S. Cl. **D7/693**

[58] Field of Search D7/665, 693; 30/130, 30/301, 315, 316; 99/495; 241/95, 168, 169

[56] References Cited

U.S. PATENT DOCUMENTS

D: 244,416	5/1977	Zysset	D7/693
D. 349,433	8/1994	Tran	D7/693
4,572,444	2/1986	Shaddock	241/168

Primary Examiner—Terry A. Wallace

Attorney, Agent, or Firm—Ladas & Parry

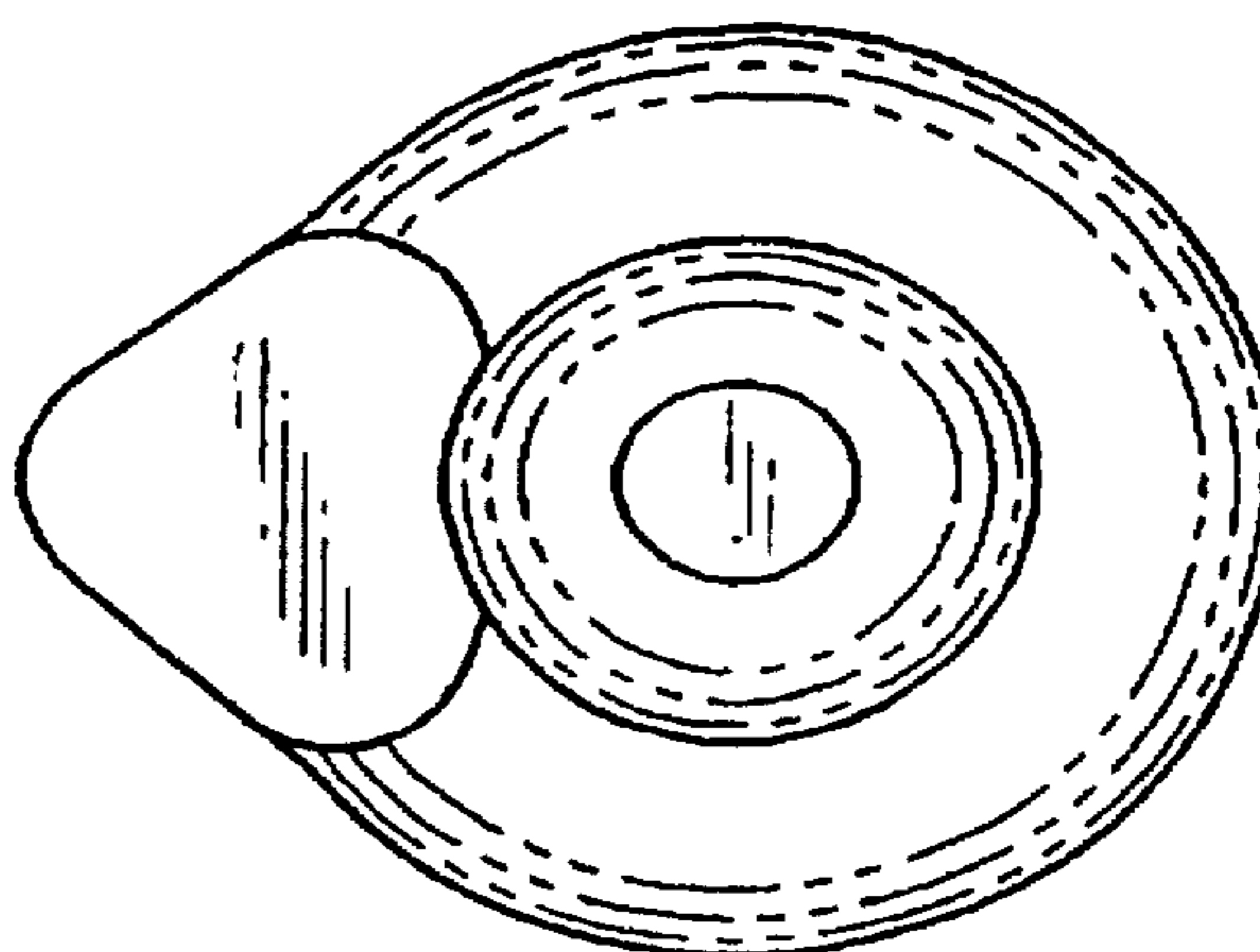
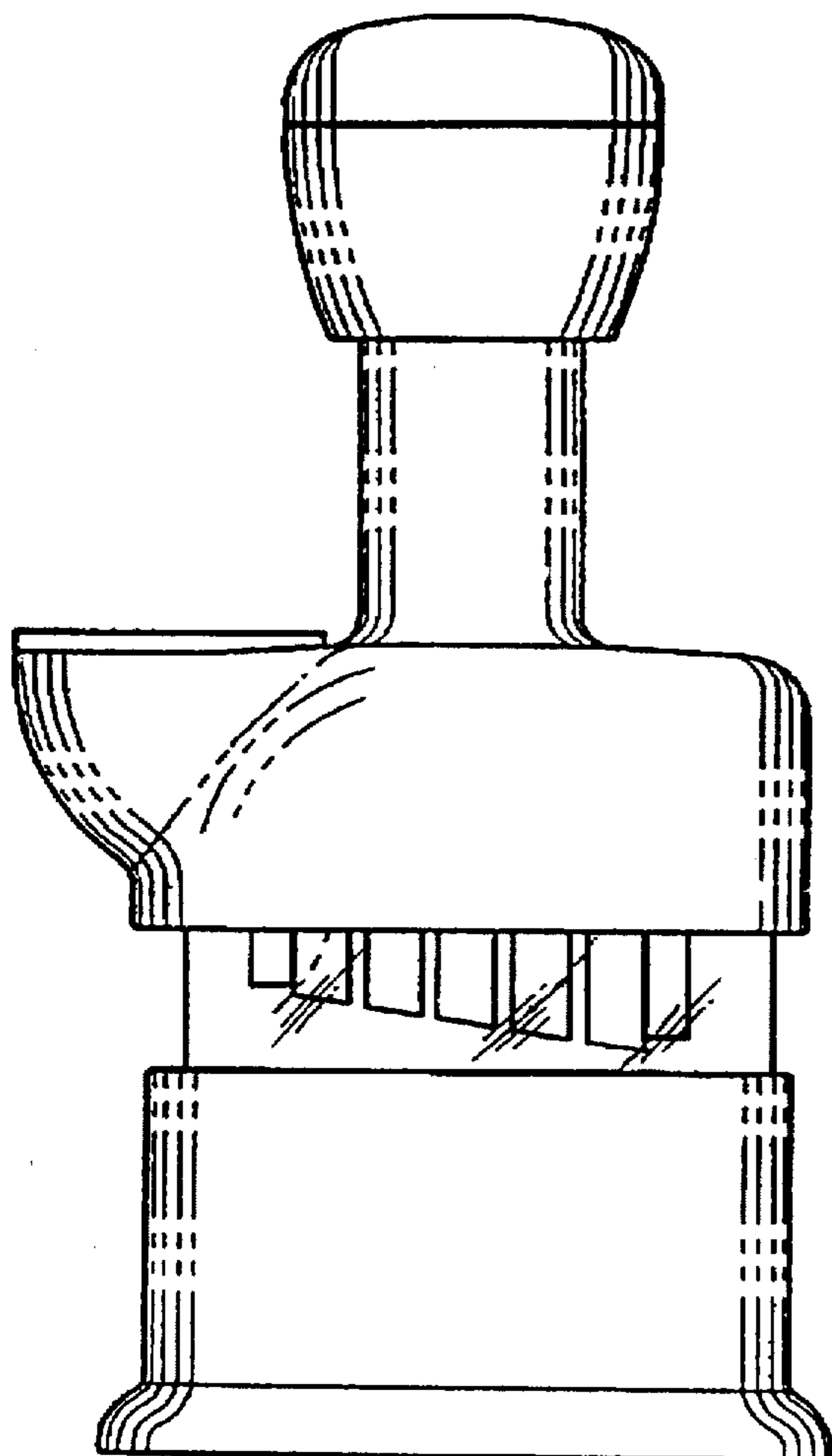
[57] CLAIM

The ornamental design for garlic peeler, as shown and described.

DESCRIPTION

FIG. 1 is a left side elevation view of a garlic peeler showing my new design, because of the plan thereof the view also shows one-half of the each of the front and rear sides, the right side being a mirror image of that shown; FIG. 2 is a top view thereof; FIG. 3 is bottom plan view thereof; FIG. 4 is a front elevation view thereof; FIG. 5 is an enlarged, exploded left side elevation view thereof, because of the plan thereof the view also shows one-half of each of the front and rear sides, the right side being a mirror image of that shown; FIG. 6 is a top plan view thereof with the lid for the spout-shaped opening removed; and, FIG. 7 is a bottom plan view of an alternate embodiment of FIG. 1. The top plan view, the front elevation view, the right side, left side and rear views of this alternate embodiment are the same as those views of the first embodiment.

1 Claim, 2 Drawing Sheets



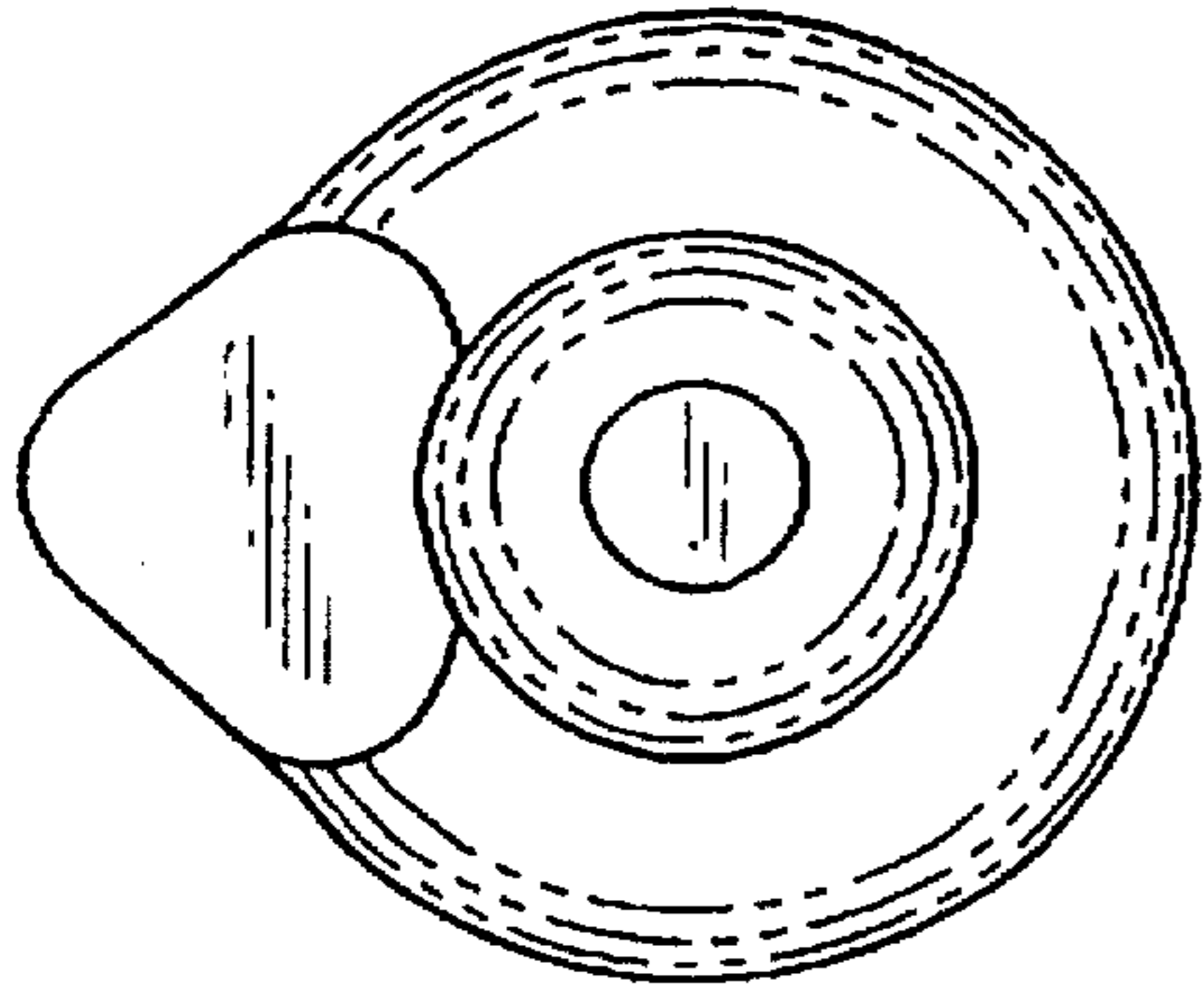


FIG. 2

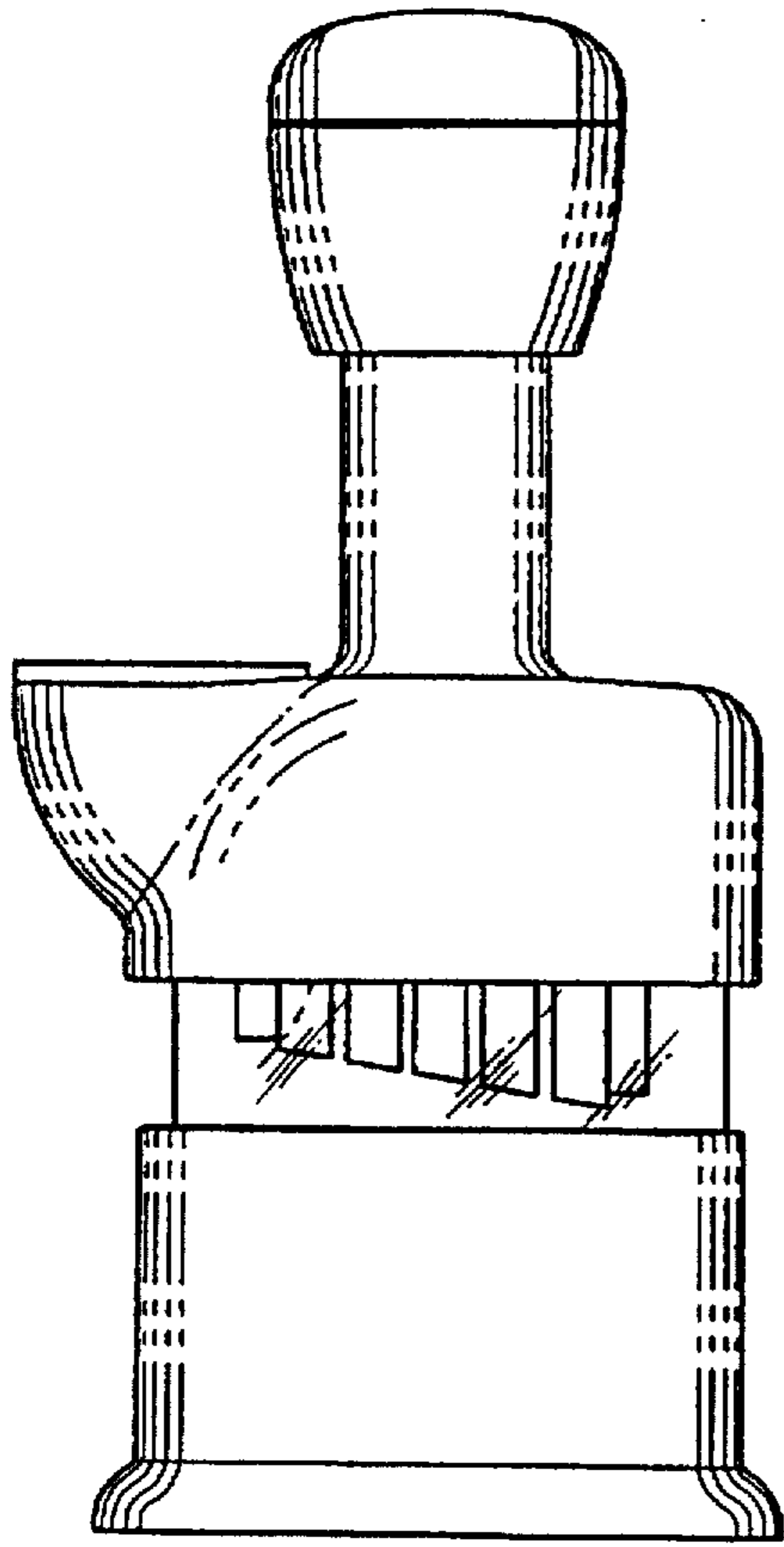


FIG. 1

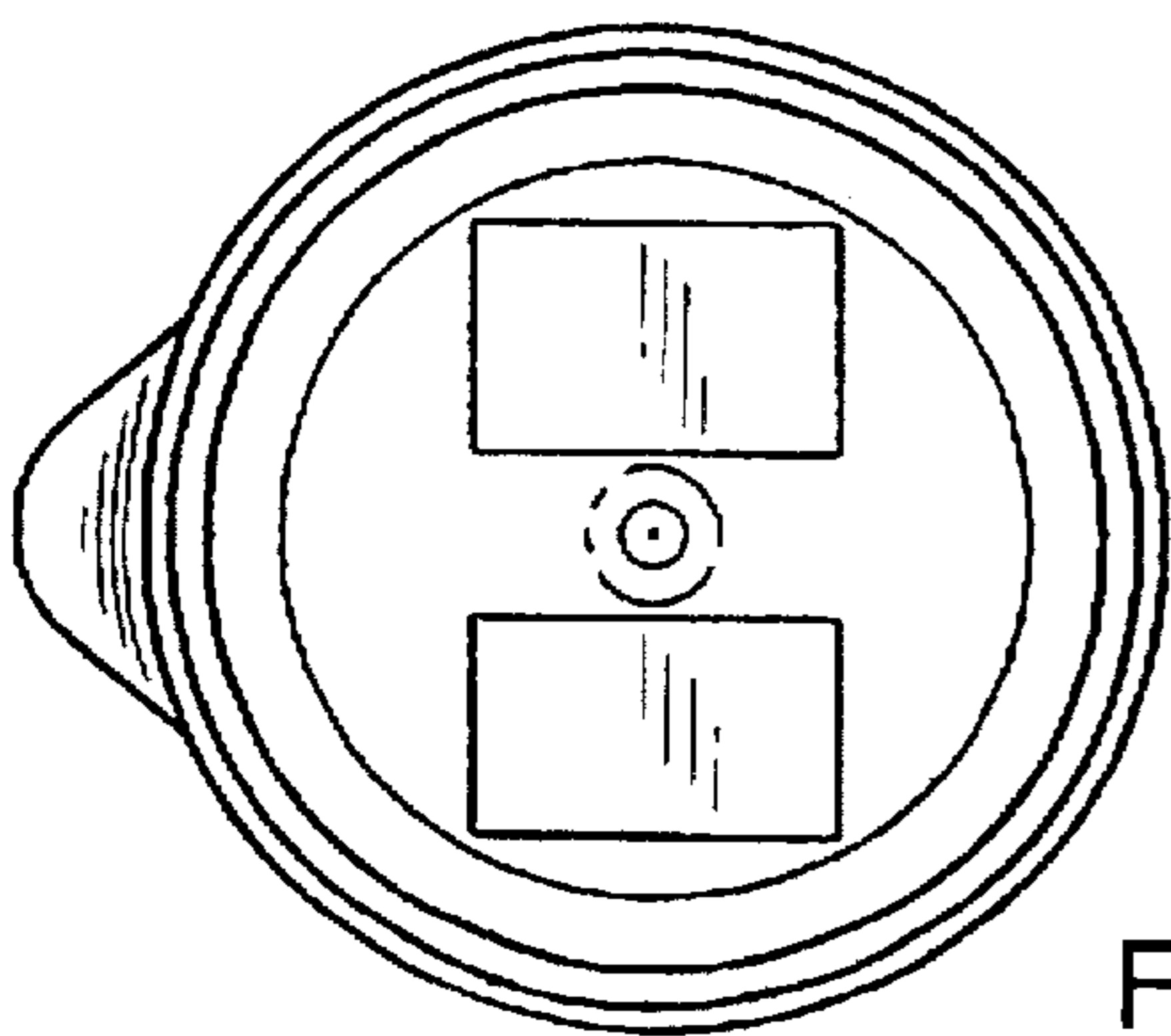


FIG. 7

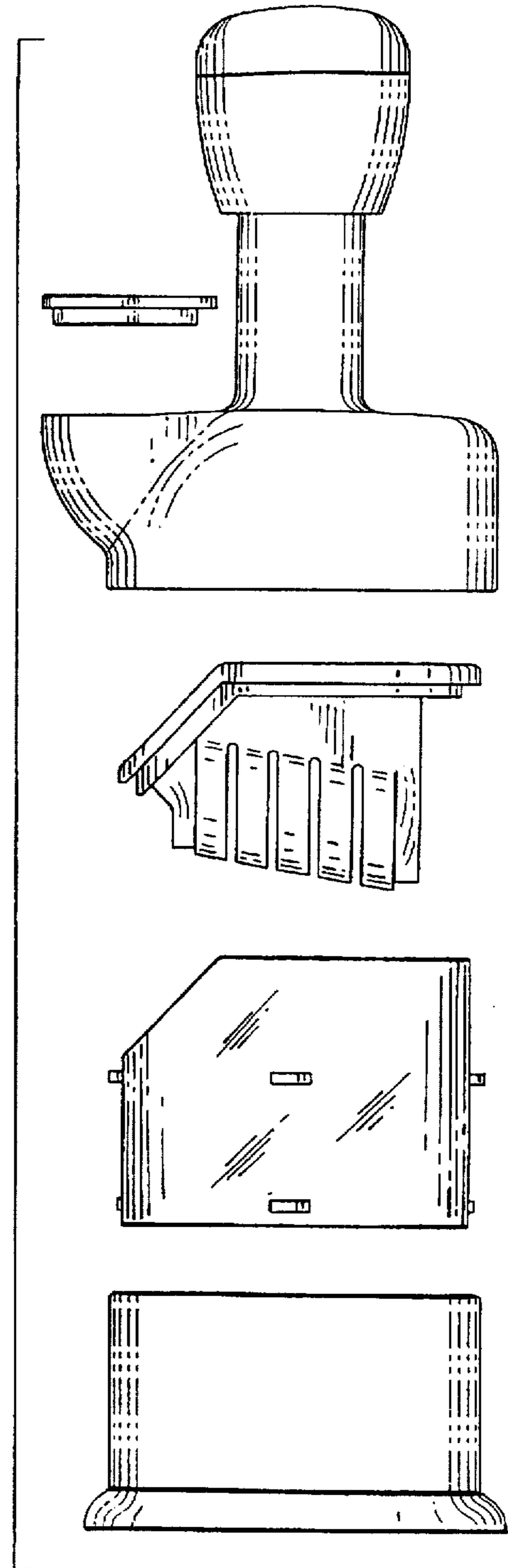


FIG. 5

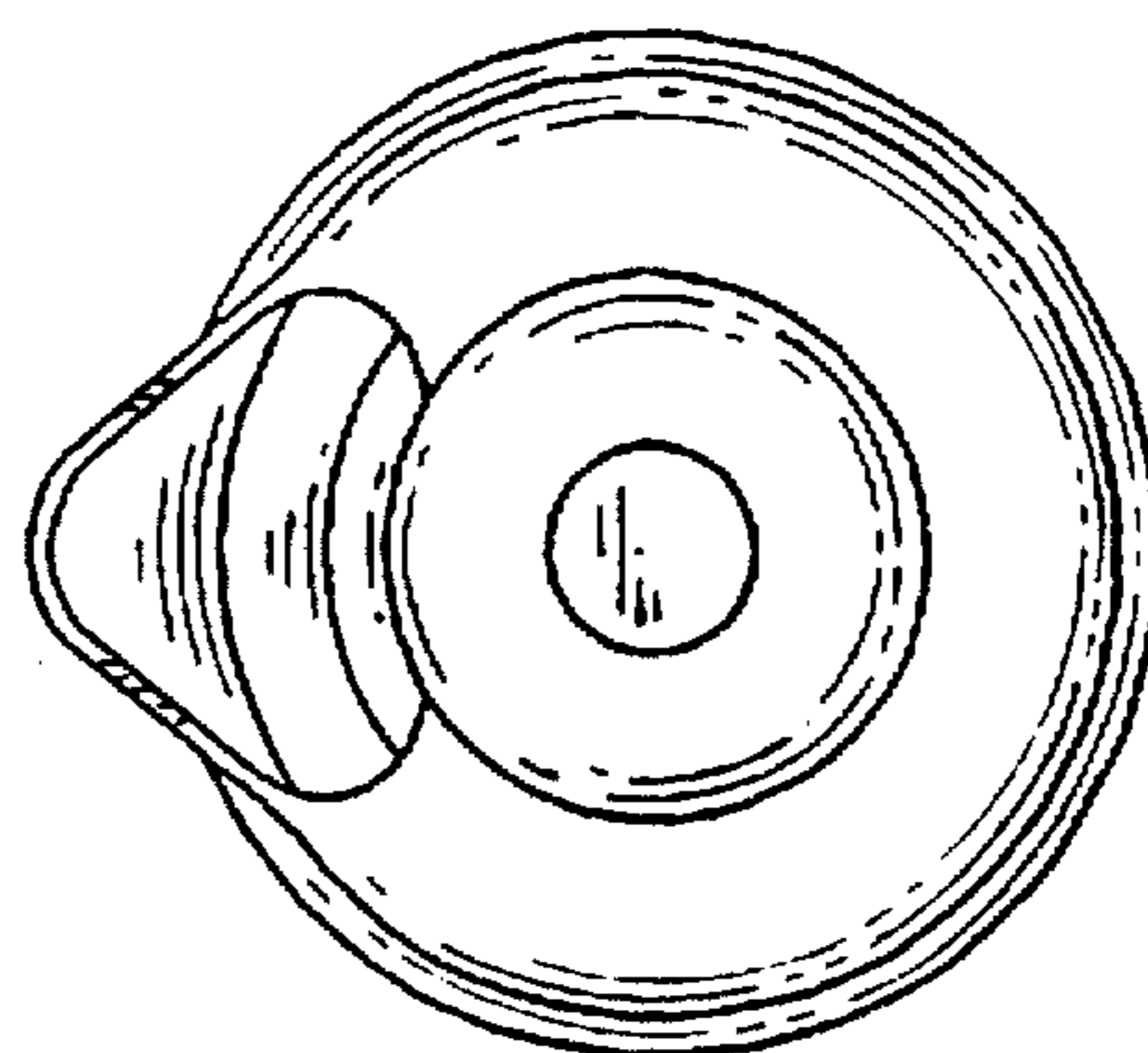


FIG. 6

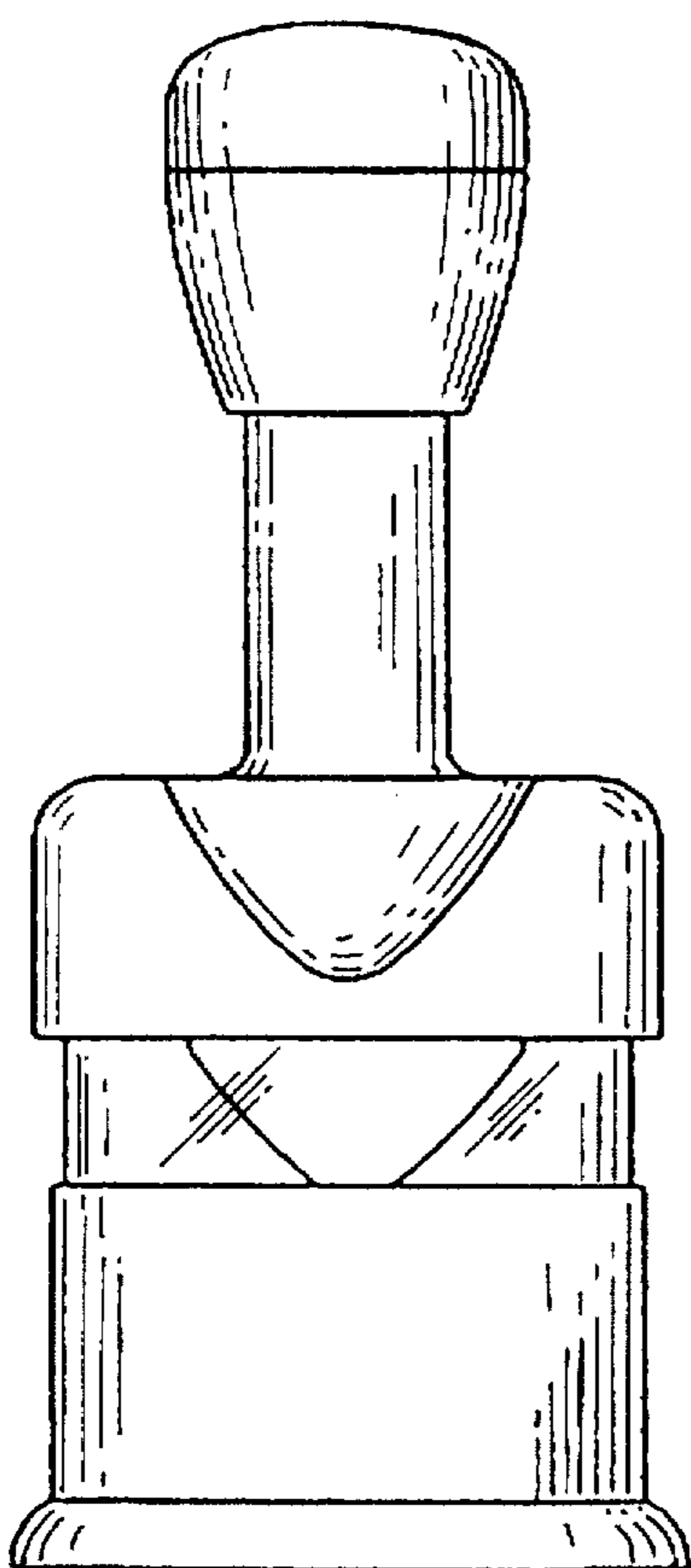


FIG. 4

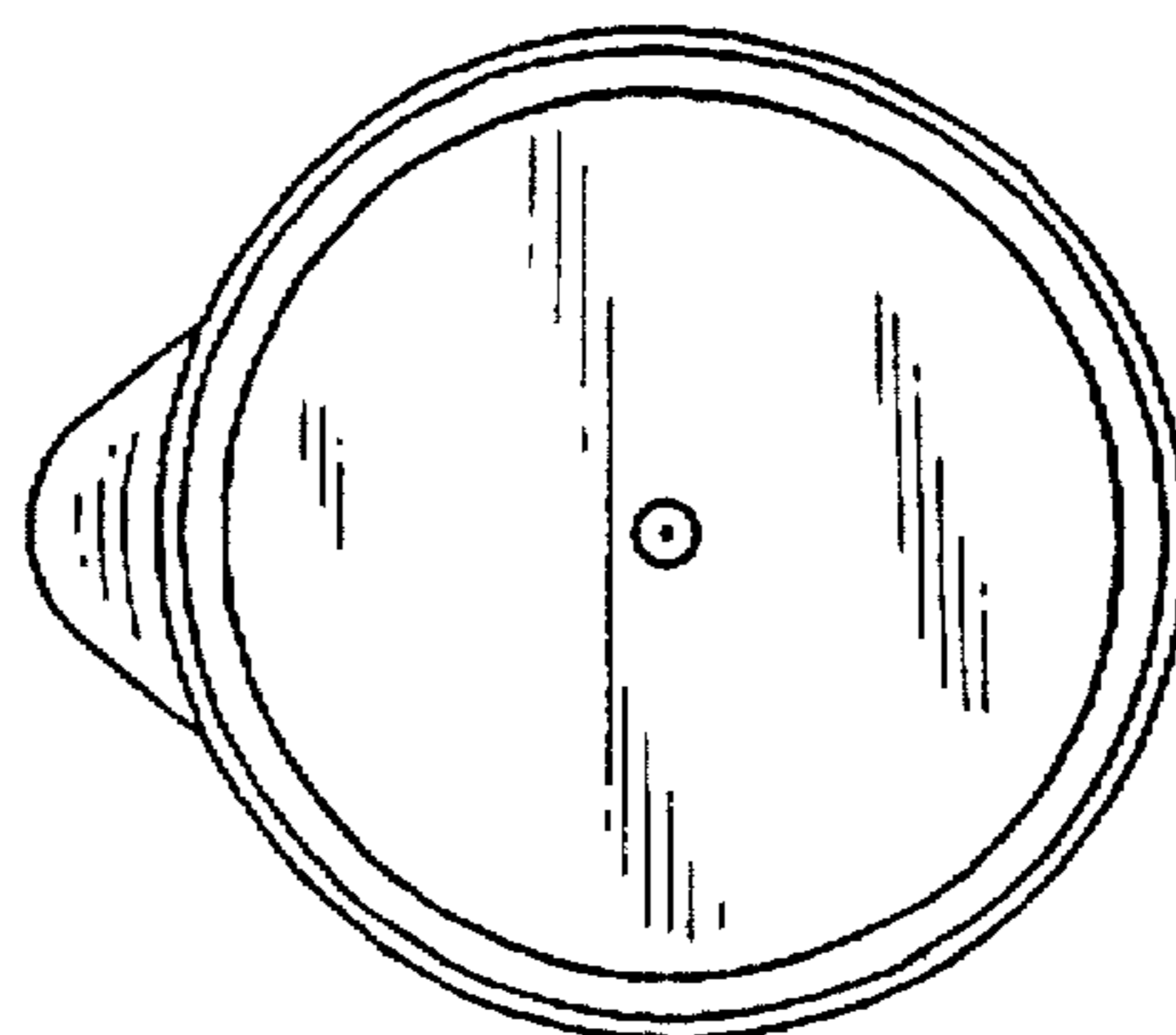


FIG. 3