

US00D393395S

United States Patent [19]

Tanaka et al.

[11] Patent Number: Des. 393,395

[45] Date of Patent: **Apr. 14, 1998

[54] ELECTRIC FISH ROASTER

D. 336,814 6/1993 Brookshire D7/350
D. 380,643 7/1997 Piret D7/351

[75] Inventors: **Hiroyuki Tanaka**, Kyoto; **Masanori Hamada**; **Troy Sauve**, both of Osaka, all of Japan

OTHER PUBLICATIONS

National's Electric Fish Roaster, NF-RT300N catalog, 3 double-sided sheets.
Toshiba catalog issued Apr. 1995, 2 sheets.
Zojirushi catalog, issued 1995, 2 sheets.

[73] Assignee: **Matsushita Electric Industrial Co., Ltd.**, Osaka, Japan

Primary Examiner—Ruth McInroy
Attorney, Agent, or Firm—Sughrue, Mion, Zinn, Macpeak & Seas PLLC

[**] Term: 14 Years

[21] Appl. No.: 64,344

[22] Filed: Dec. 30, 1996

[57] CLAIM

[30] Foreign Application Priority Data

Jul. 3, 1996 [JP] Japan 8-19932

The ornamental design for an electric fish roaster, as shown and described.

[51] LOC (6) Cl. 07-02

DESCRIPTION

[52] U.S. Cl. D7/350

[58] Field of Search D7/350, 351, 405;
126/275 R, 275 E, 19 M, 21 A; 219/10.55 R,
10.55 A, 10.55 B, 10.55 C

FIG. 1 is a perspective view of the front, top and right side of an electric fish roaster showing our new design;
FIG. 2 is a front elevational view thereof;
FIG. 3 is a rear elevational view thereof;
FIG. 4 is a left side elevational view thereof;
FIG. 5 is a right side elevational view thereof;
FIG. 6 is a top plan view thereof;
FIG. 7 is a bottom plan view thereof; and,
FIG. 8 is a perspective view similar to FIG. 1 with the drawer in the open position.

[56] References Cited

U.S. PATENT DOCUMENTS

D. 288,274 2/1987 Mayeur D7/348
D. 301,428 6/1989 Viancin D7/350
D. 301,429 6/1989 Hishikawa et al. D7/351
D. 301,430 6/1989 Nishikawa et al. D7/351

1 Claim, 6 Drawing Sheets

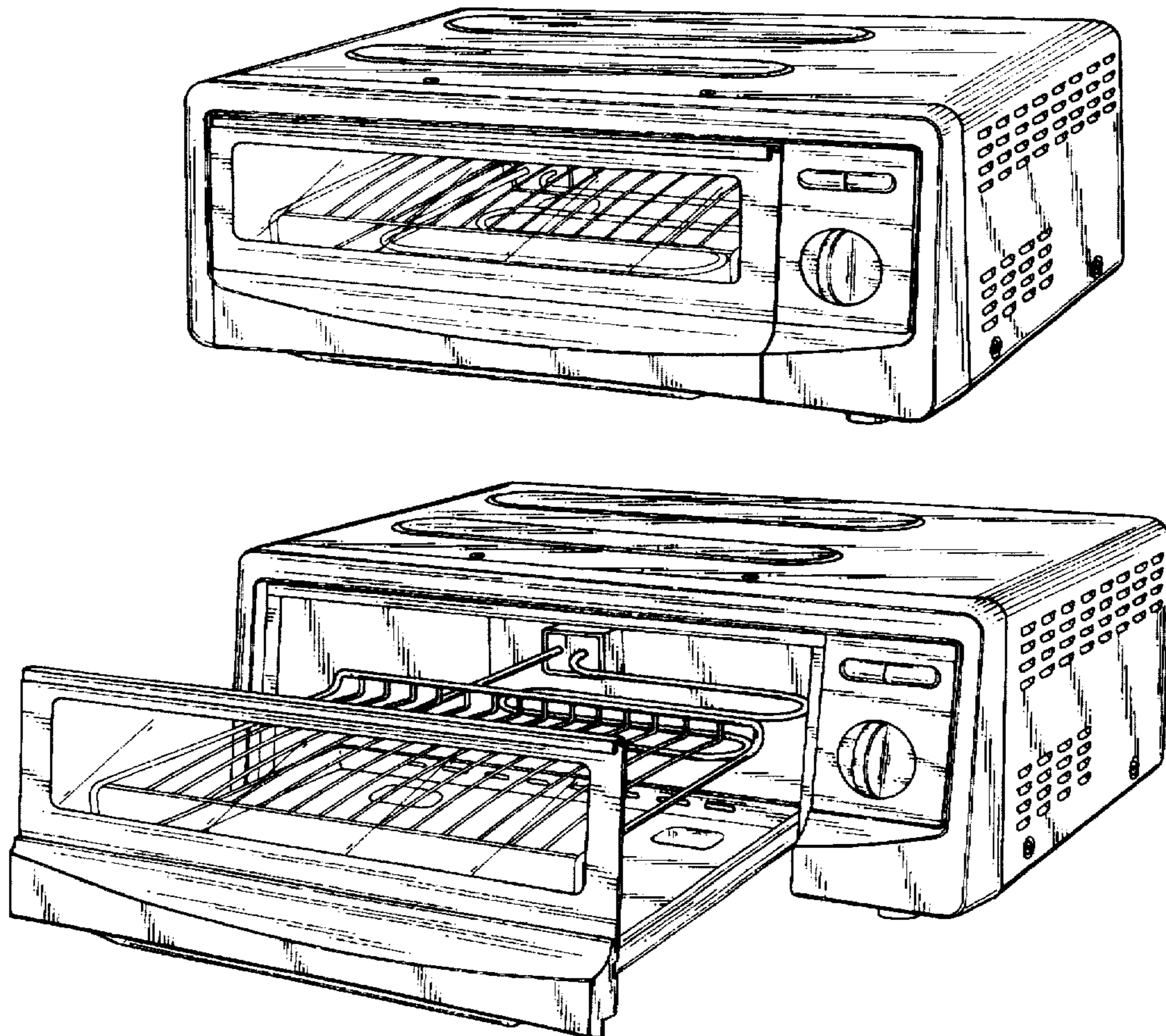


Fig. 1

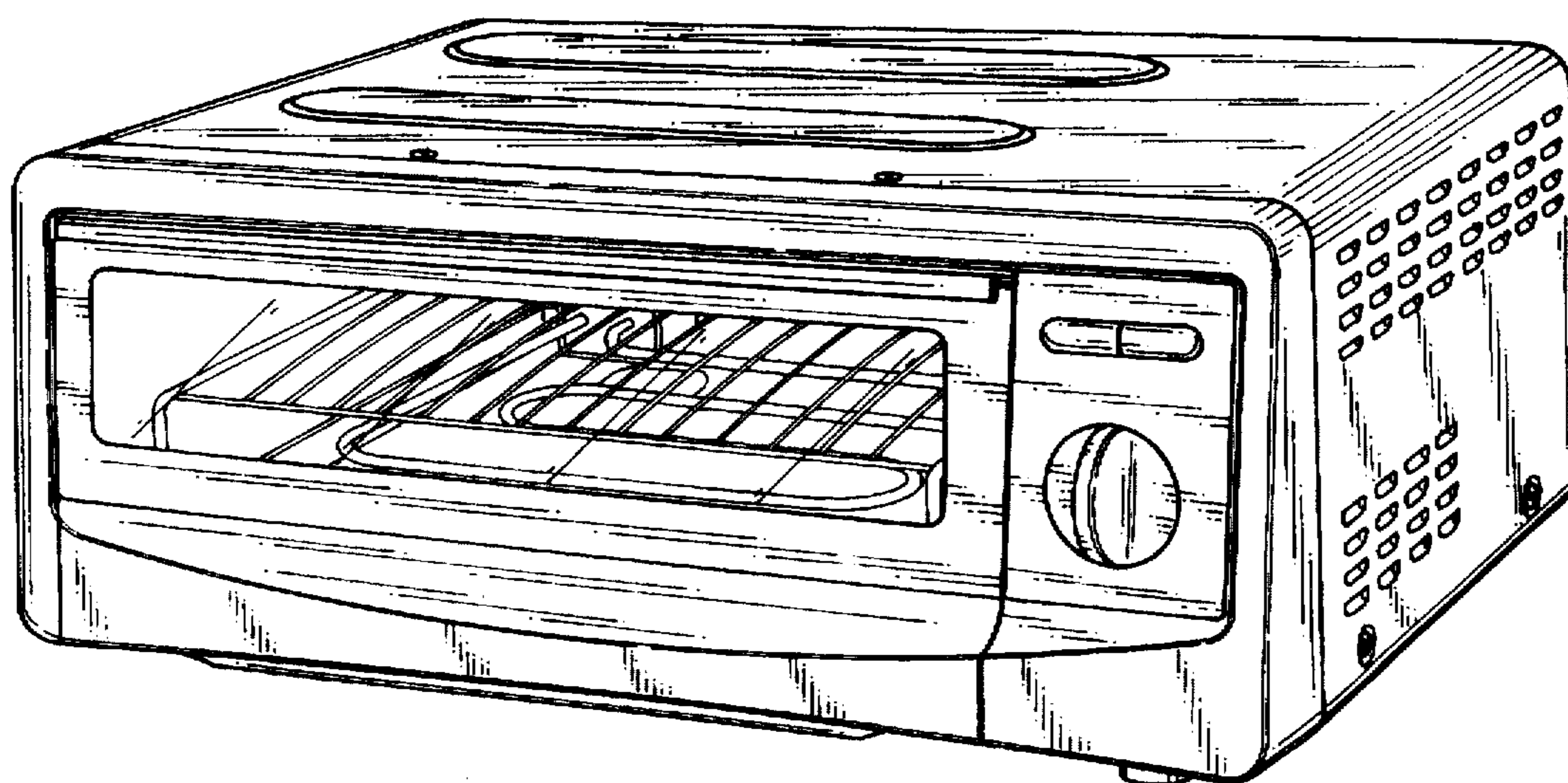


Fig. 2

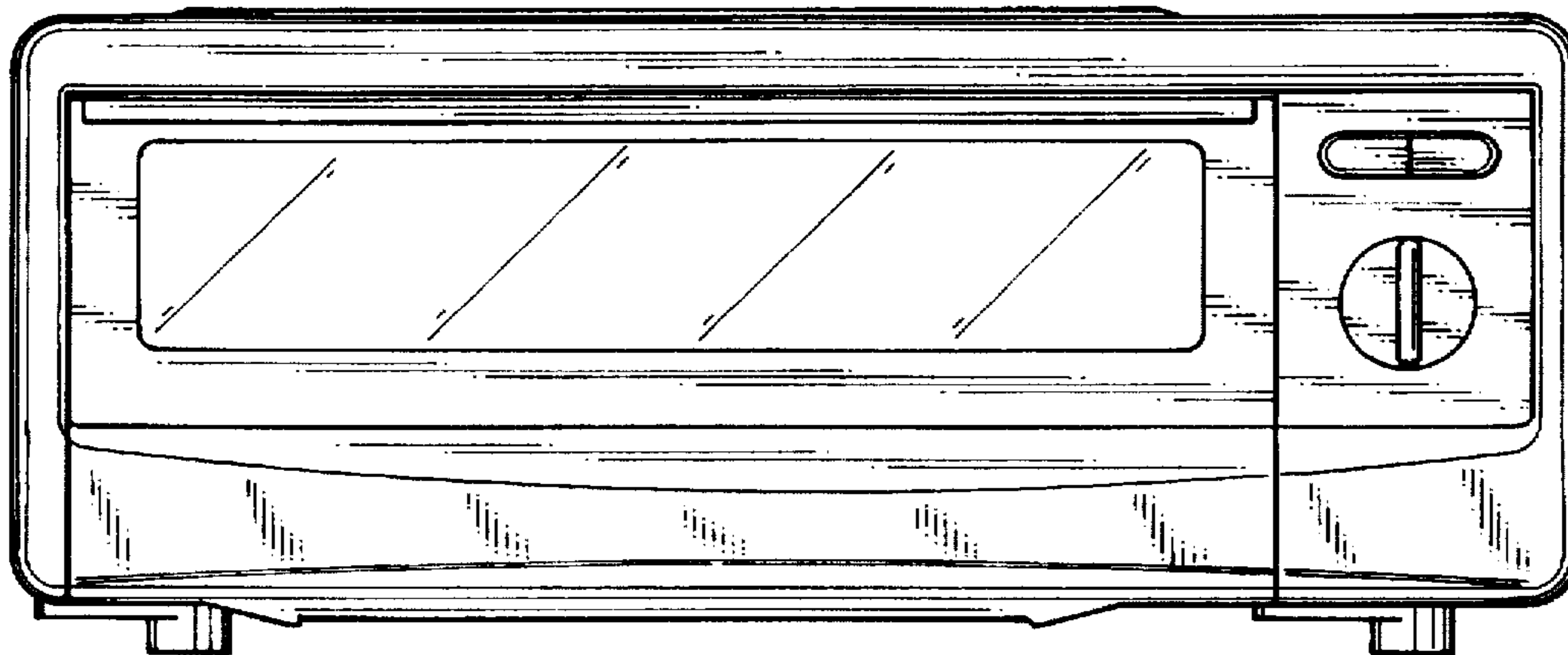


Fig. 3

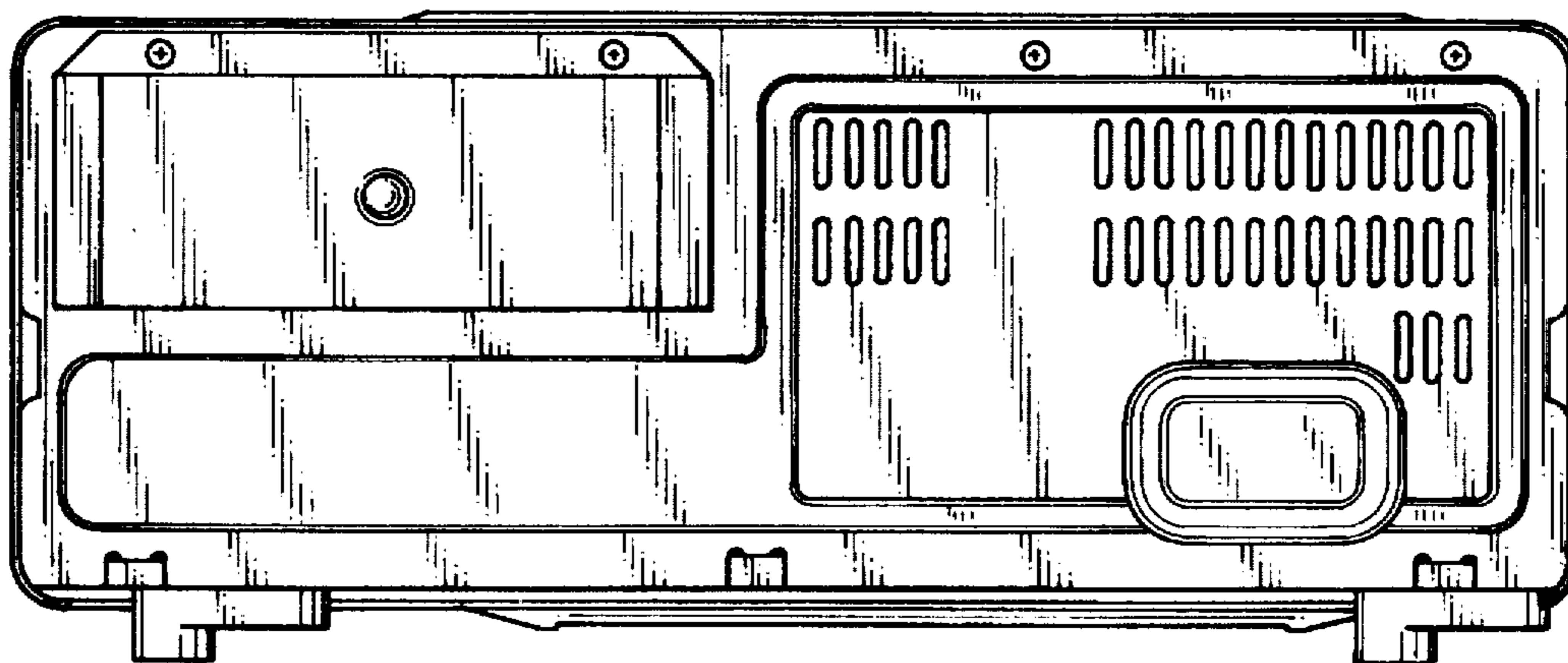


Fig. 4

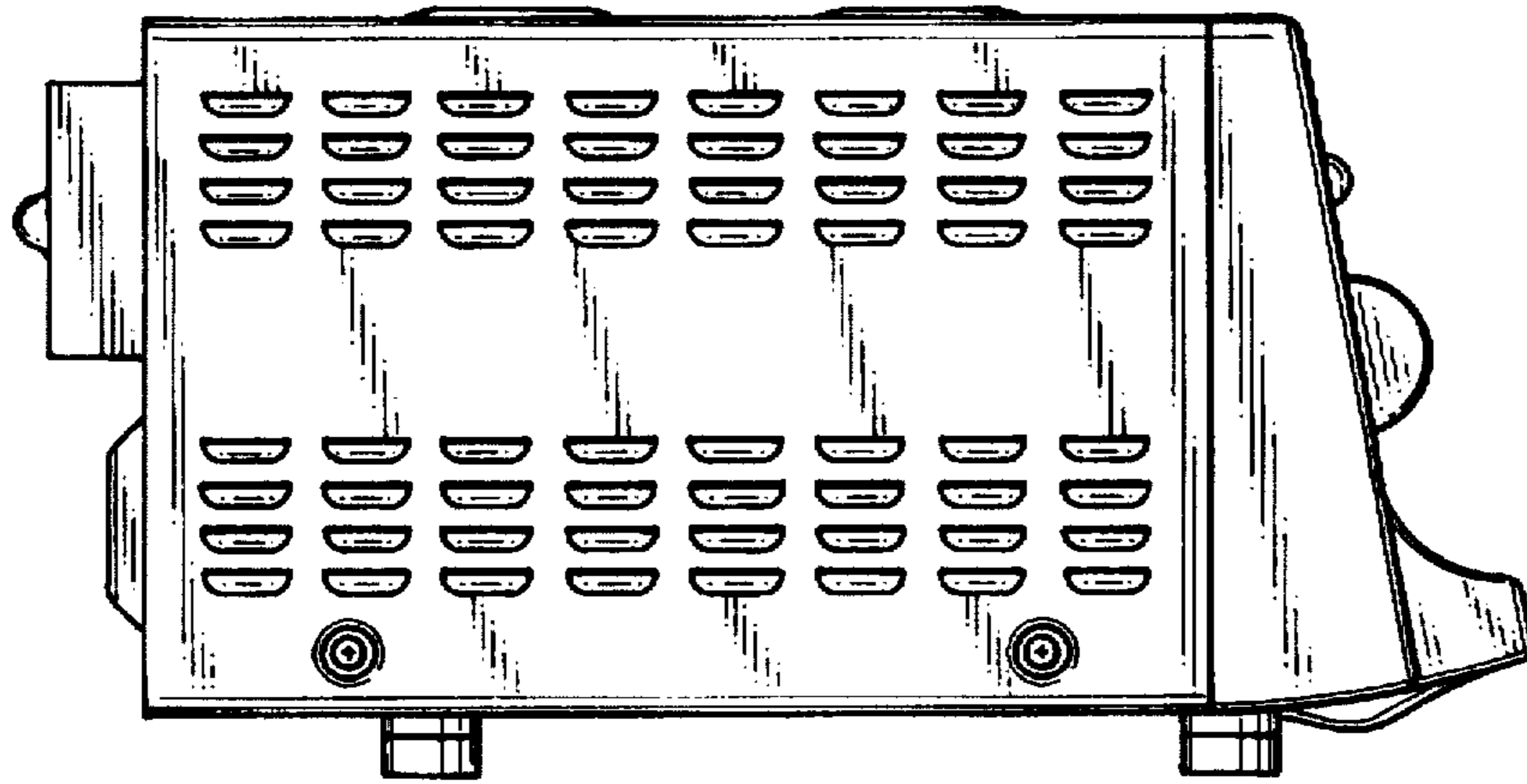


Fig. 5

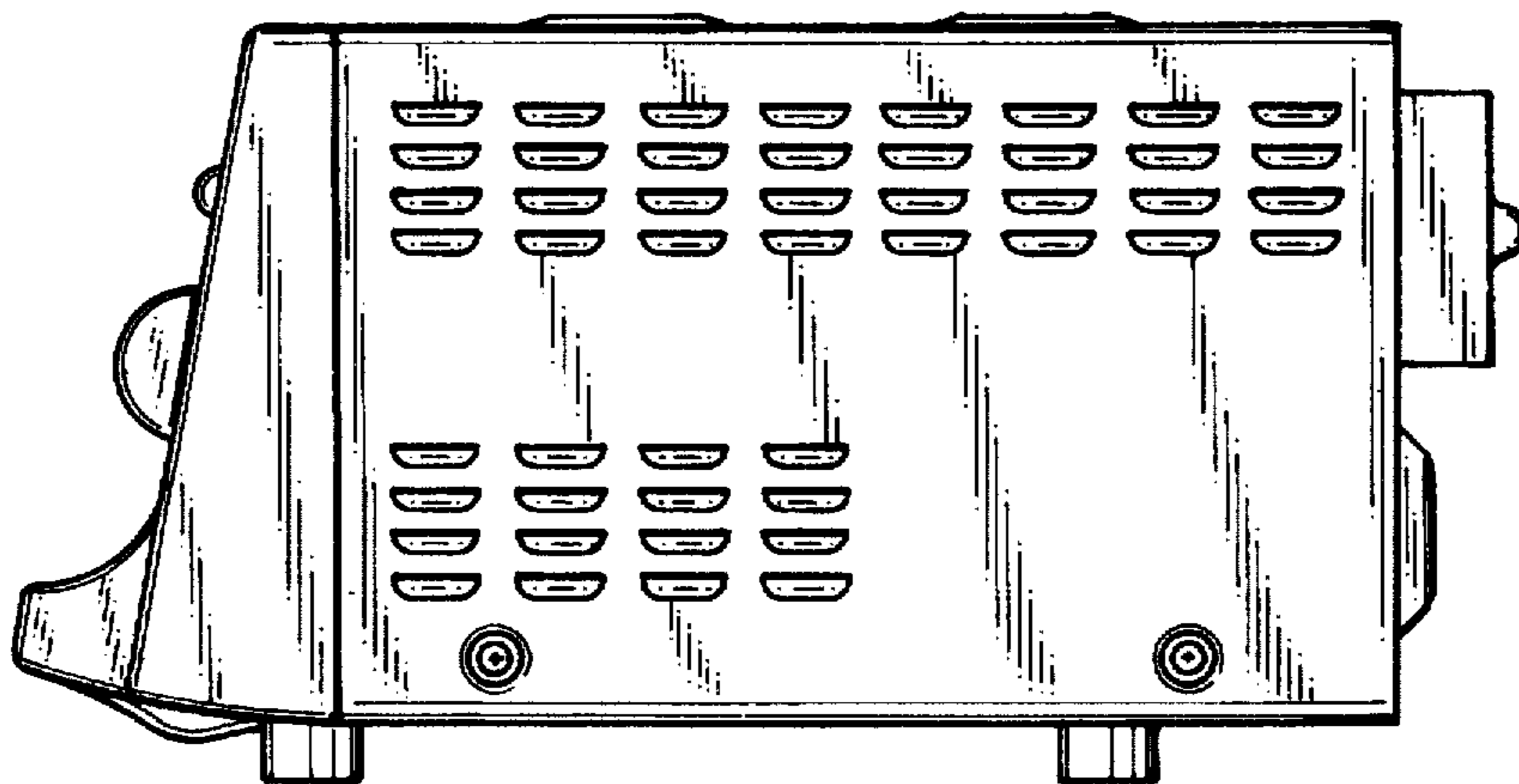


Fig. 6

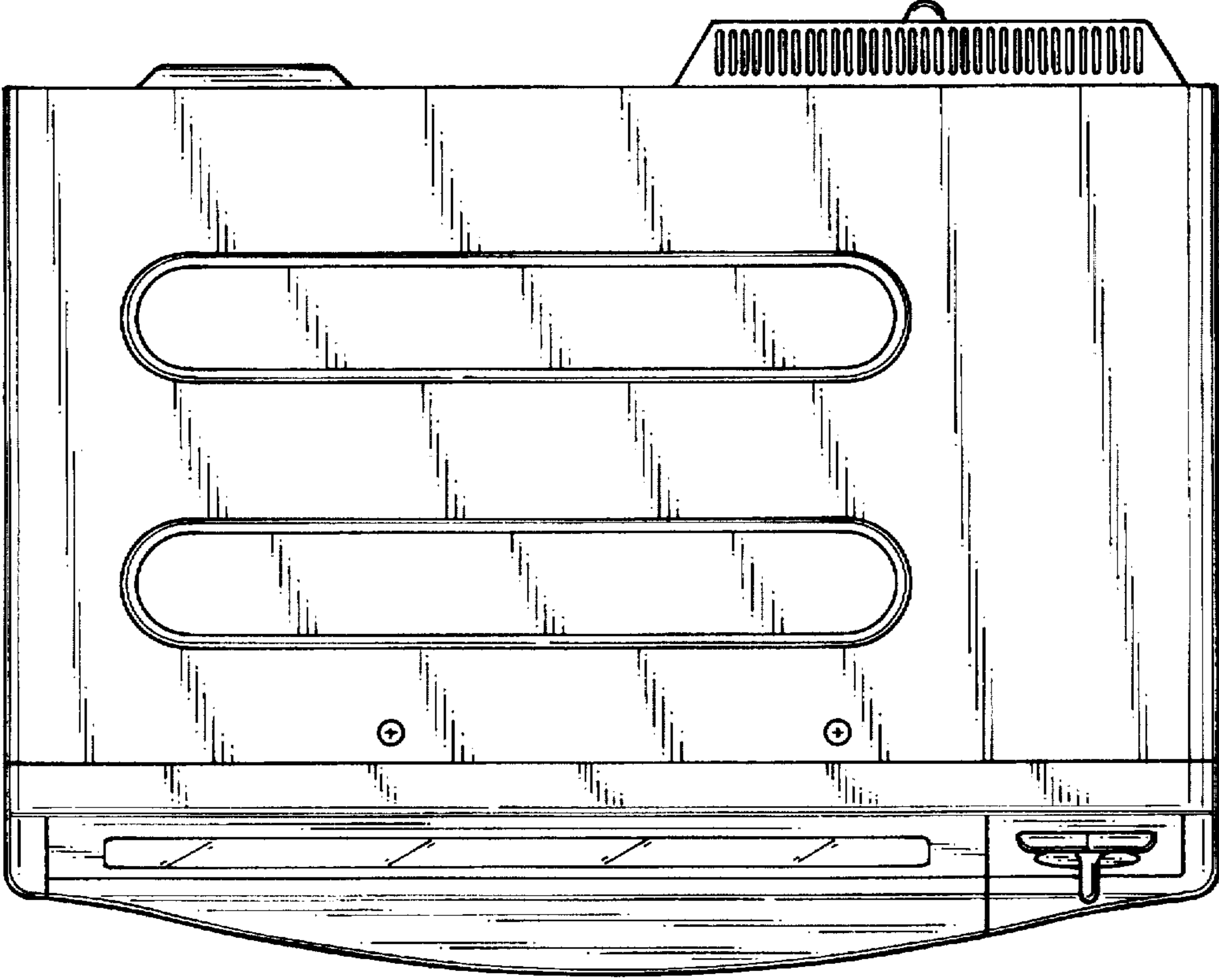


Fig. 7

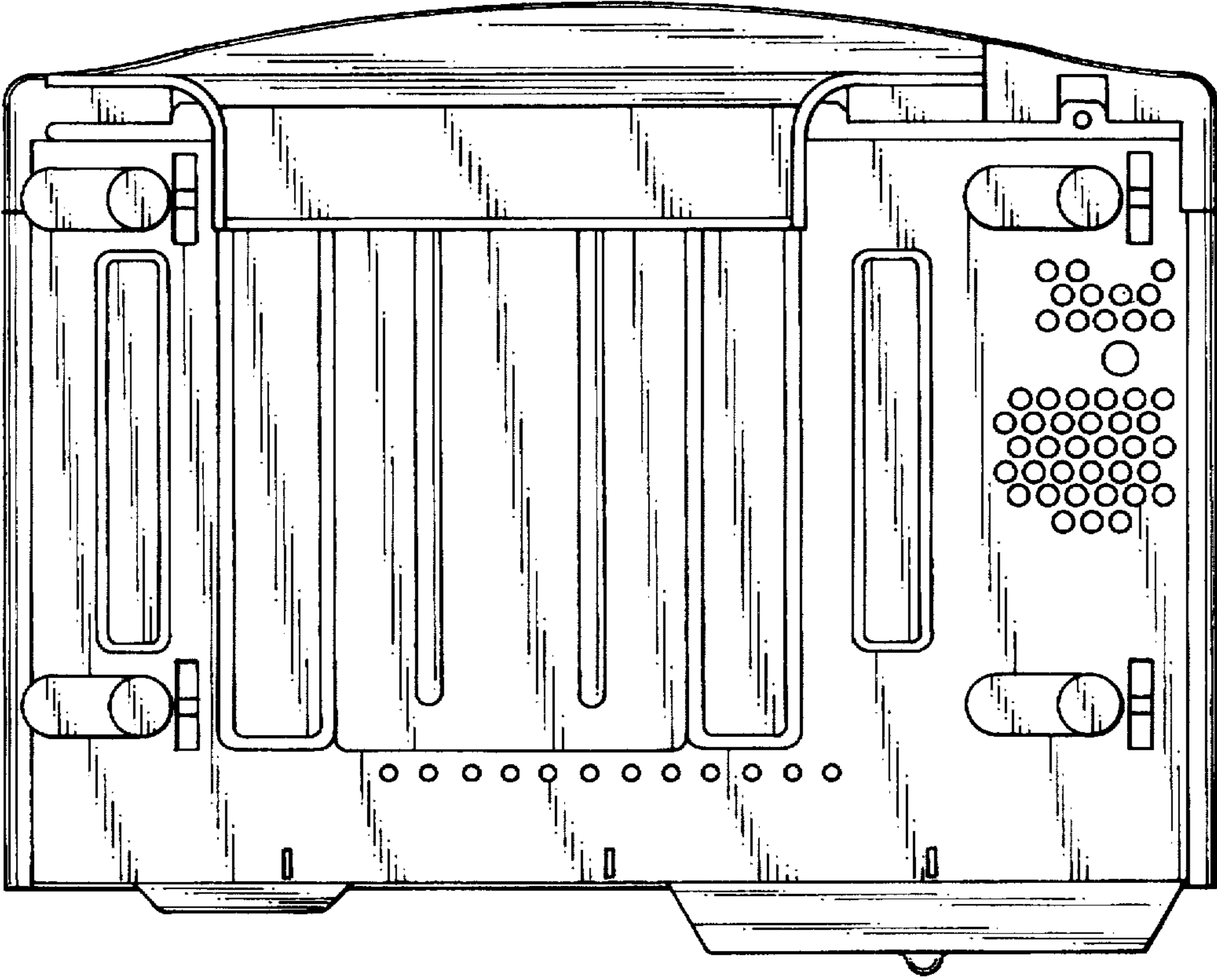


Fig. 8

