



US00D393393S

United States Patent [19]
Greger

[11] **Patent Number: Des. 393,393**
[45] **Date of Patent: **Apr. 14, 1998**

[54] **MEDICINE COMPARTMENT**

[75] **Inventor: Jeff G. Greger, Mechanicsburg, Pa.**
[73] **Assignee: Zenith Products Corp., New Castle, Del.**
[**] **Term: 14 Years**
[21] **Appl. No.: 39,863**
[22] **Filed: Sep. 11, 1995**
[51] **LOC (6) Cl. 06-04**
[52] **U.S. Cl. D6/559**
[58] **Field of Search D24/231; D9/341, D9/420, 423; D6/559, 573; 312/351, 245; 211/88**

OTHER PUBLICATIONS

The Right Start Catalog, Special Holiday Issue 1991, Child Safe, item #G162 at top left of page, p. 24.

Primary Examiner—Stella Reid
Attorney, Agent, or Firm—Edgar A. Zarins; Malcolm L. Sutherland

[57] **CLAIM**

The ornamental design for a medicine compartment, as shown and described.

DESCRIPTION

FIG. 1 is a perspective view of medicine compartment, showing my new design, the broken line showing is for illustrative purposes only and forms no part of the claimed design;
FIG. 2 is a perspective view thereof;
FIG. 3 is a front elevational view thereof;
FIG. 4 is a top plan view thereof, the bottom being a mirror image of the side shown;
FIG. 5 is a side view the opposite side being a mirror image of the side shown; and,
FIG. 6 is a perspective view thereof with a door mounted thereto.

[56] **References Cited**

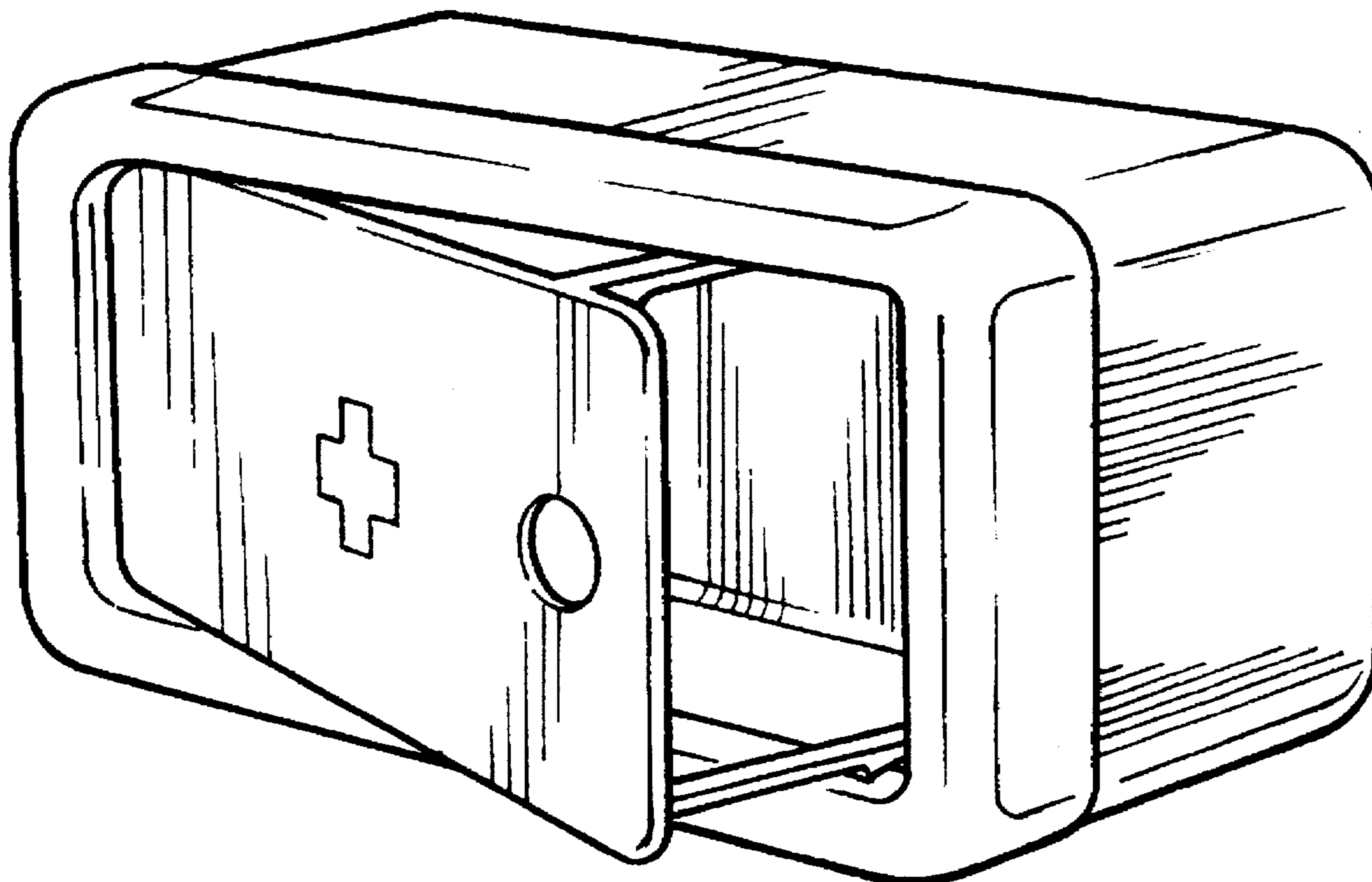
U.S. PATENT DOCUMENTS

D. 220,430 4/1971 Neumann D6/559
D. 242,406 11/1976 Romanoff D6/559
D. 332,496 1/1993 Martin D24/226
D. 364,064 11/1995 Lorenz D6/559
D. 376,062 12/1996 Gregor D6/559
3,314,741 4/1967 Litner D6/559 X
5,524,980 6/1996 Carter et al. 312/351

FOREIGN PATENT DOCUMENTS

641120 11/1928 France D6/559

1 Claim, 2 Drawing Sheets



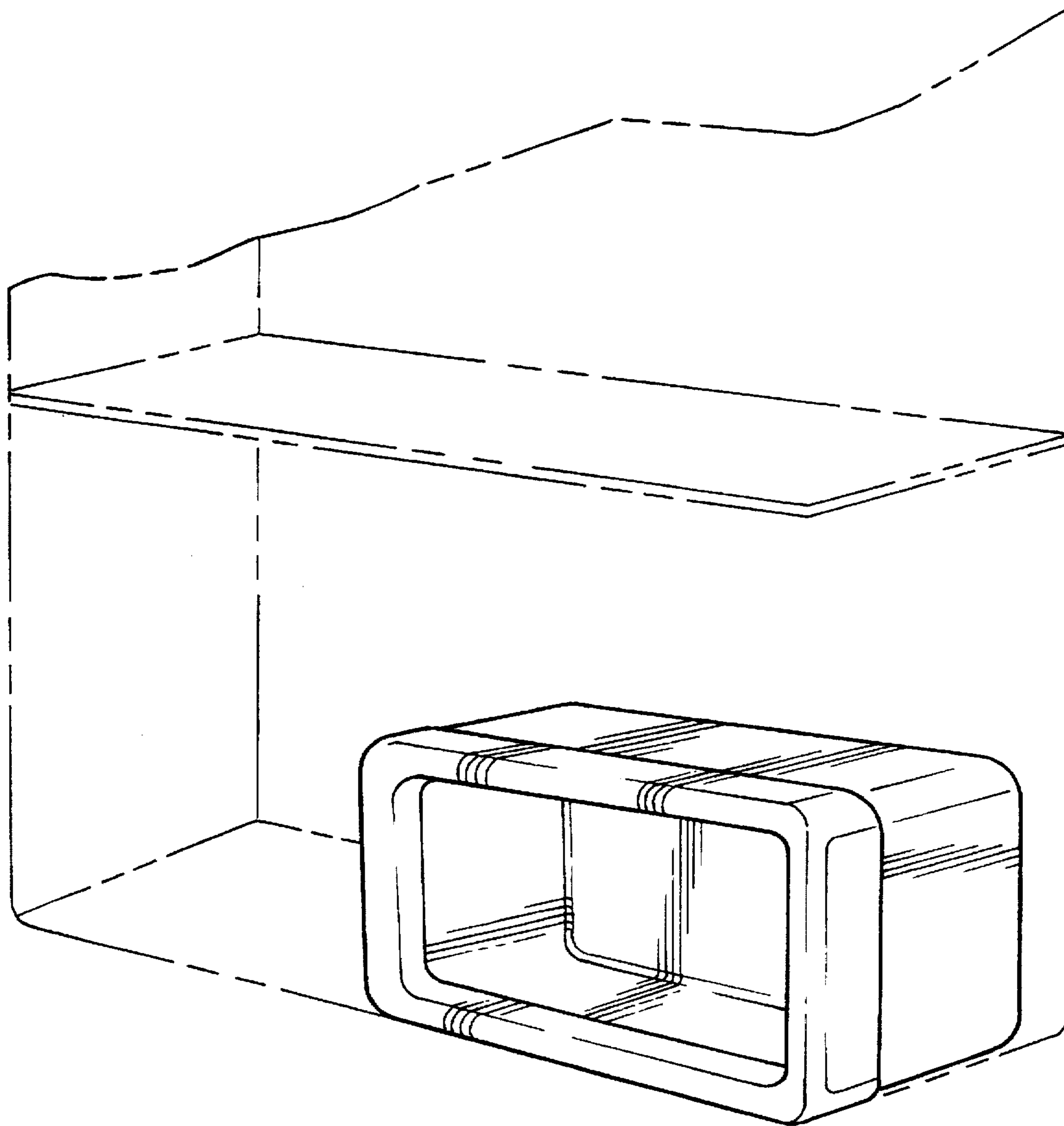


Fig - 1

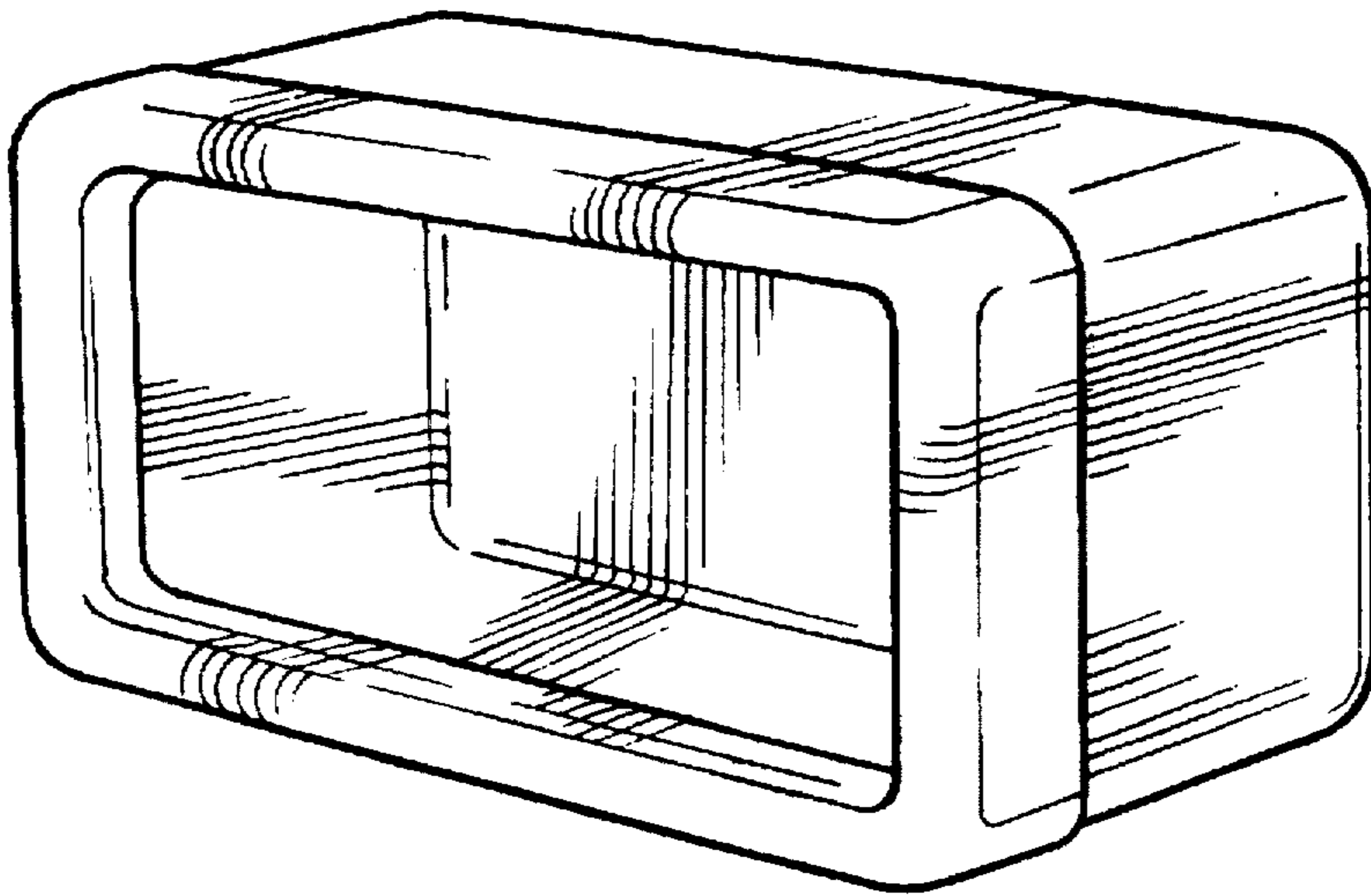


Fig - 2

Fig - 3

Fig - 4

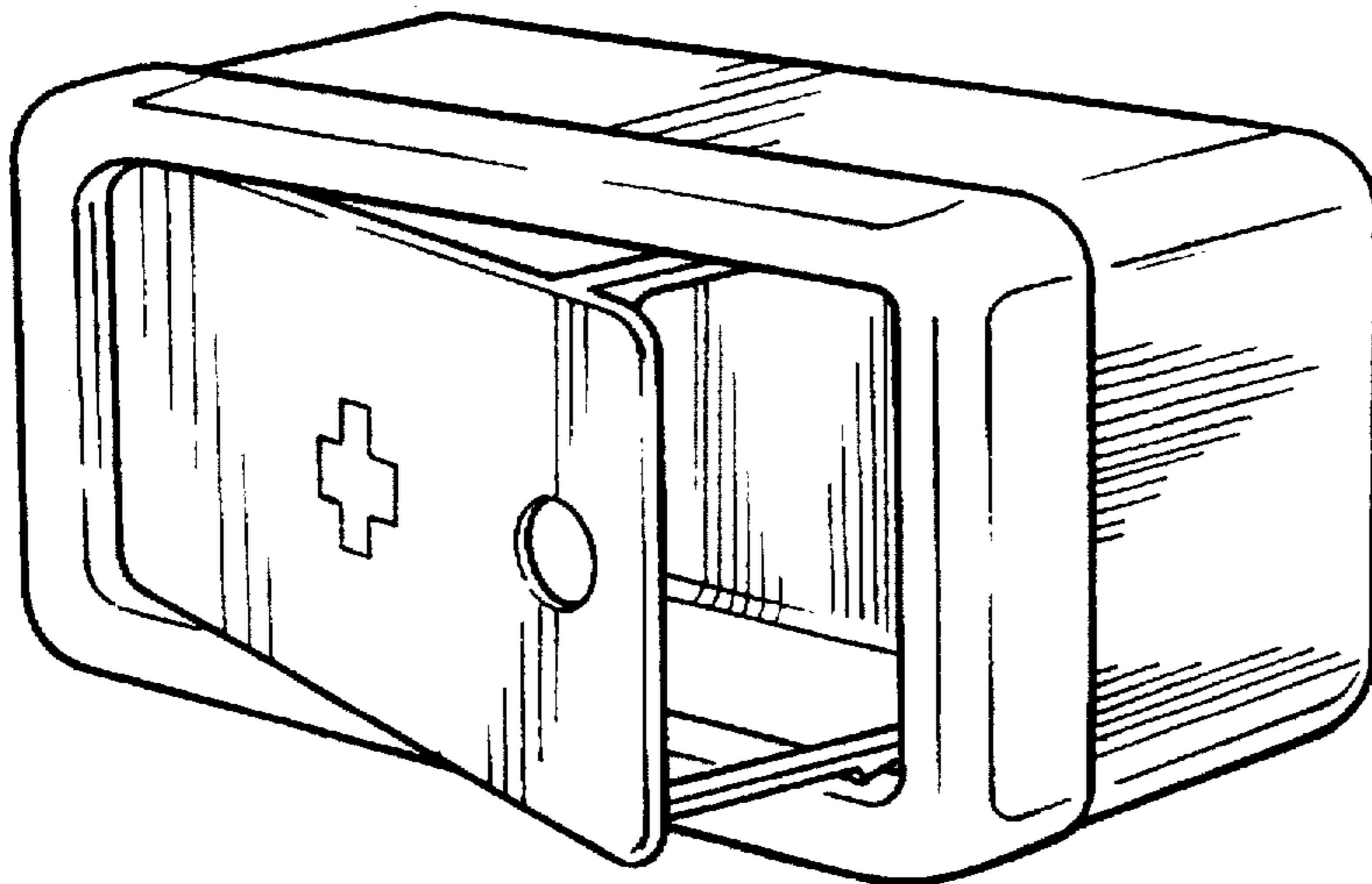
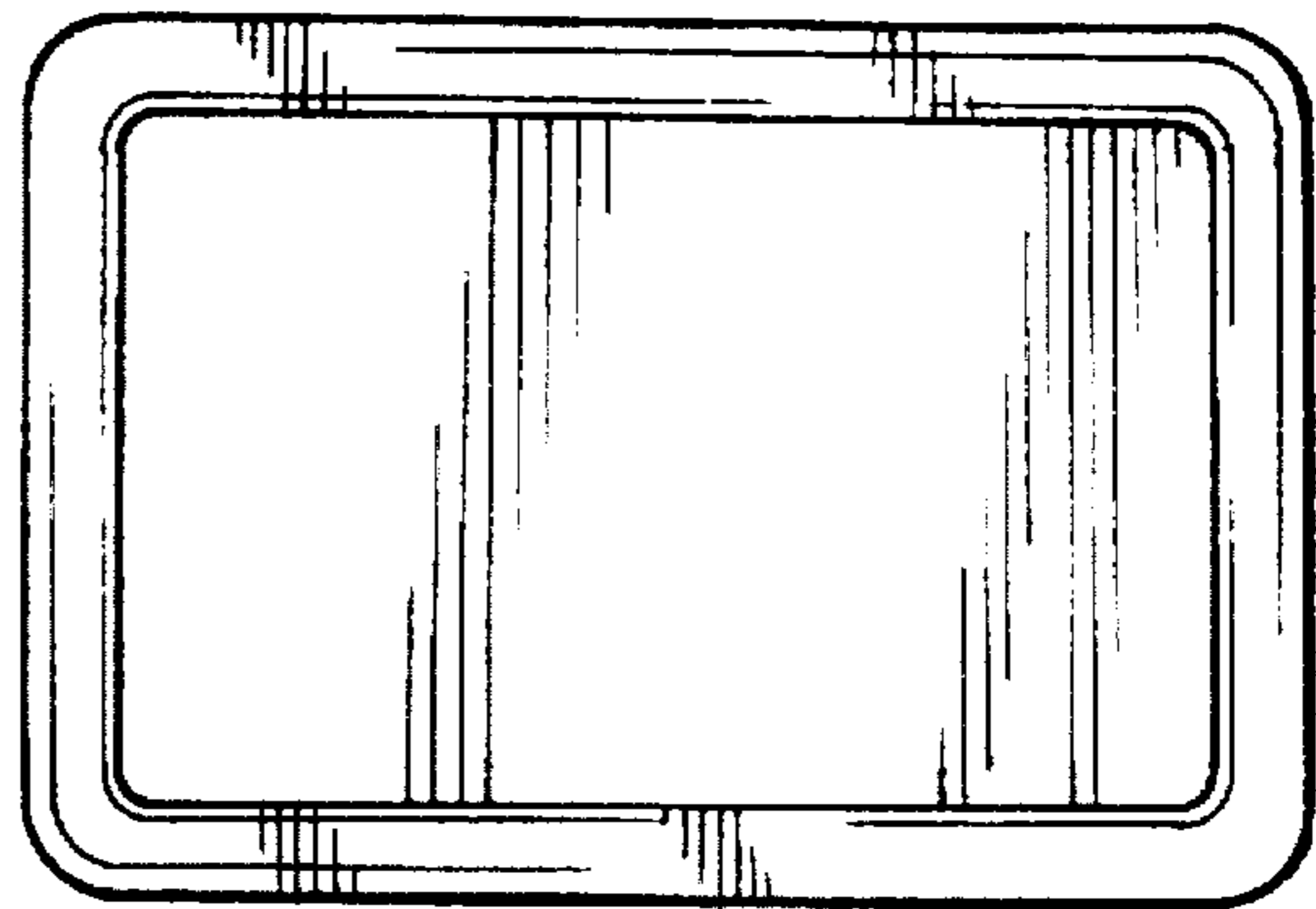
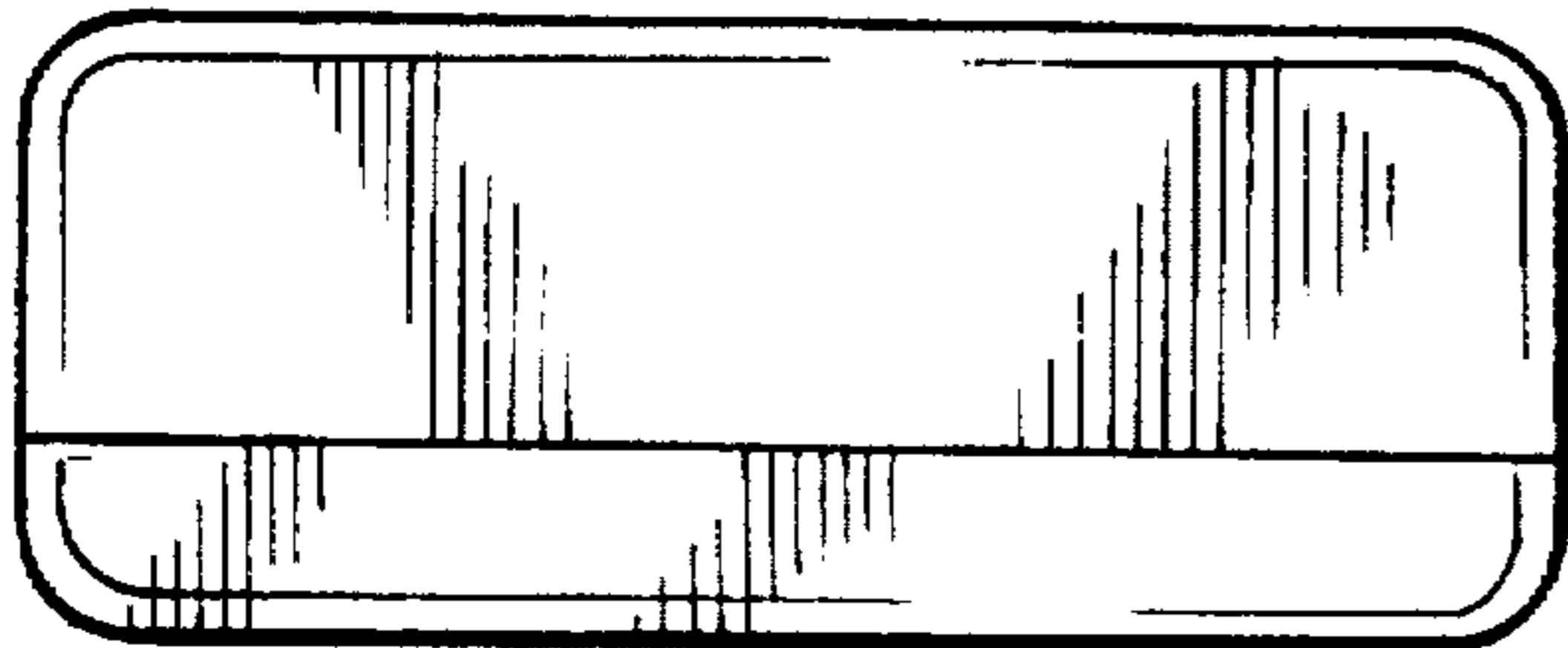


Fig - 6

Fig - 5

