



US00D393392S

United States Patent [19]
Hartenstine

[11] **Patent Number:** **Des. 393,392**
[45] **Date of Patent:** ****Apr. 14, 1998**

[54] **CARGO BAG FOR A JUVENILE PLAYYARD**

[75] **Inventor:** **Curtis Michael Hartenstine,**
Morgantown, Pa.

[73] **Assignee:** **Graco Children's Products Inc.,**
Elverson, Pa.

[**] **Term:** **14 Years**

[21] **Appl. No.:** **58,063**

[22] **Filed:** **Aug. 7, 1996**

[51] **LOC (6) Cl.** **08-08**

[52] **U.S. Cl.** **D6/553; D3/902**

[58] **Field of Search** **D6/331, 333, 382,**
D6/383, 390, 391, 392, 596, 601; D3/213,
902, 905, 221, 303, 254, 301; 211/13; 297/188.06;
190/108-113; D12/411

[56] **References Cited**

U.S. PATENT DOCUMENTS

- D. 207,302 4/1967 Lerner D6/331
- D. 279,525 7/1985 Allen D3/902 X
- D. 280,044 8/1985 Allen D3/902 X

- D. 336,218 6/1993 Hague D12/411 X
- D. 350,648 9/1994 Gabriel-Lacki et al. D6/331
- 2,600,501 6/1952 Higgs D6/331 X
- 3,122,225 2/1964 Wand D3/902 X
- 3,336,608 8/1967 Lerner D6/331 X
- 5,060,767 10/1991 Pulichino, Jr. et al. 190/109 X
- 5,413,199 5/1995 Clement 190/110 X

Primary Examiner—Susan J. Lucas
Assistant Examiner—Pamela Burgess
Attorney, Agent, or Firm—Morgan, Lewis & Bockius LLP

[57] **CLAIM**

The ornamental design for a cargo bag for a juvenile playyard, as shown and described.

DESCRIPTION

FIG. 1 is a top perspective view of a cargo bag for a juvenile playyard showing my new design;
FIG. 2 is a top plan view thereof;
FIG. 3 is a bottom plan view thereof;
FIG. 4 is a front elevational view thereof;
FIG. 5 is a rear elevational view thereof;
FIG. 6 is a left end view thereof; and,
FIG. 7 is a right end view thereof.

1 Claim, 4 Drawing Sheets

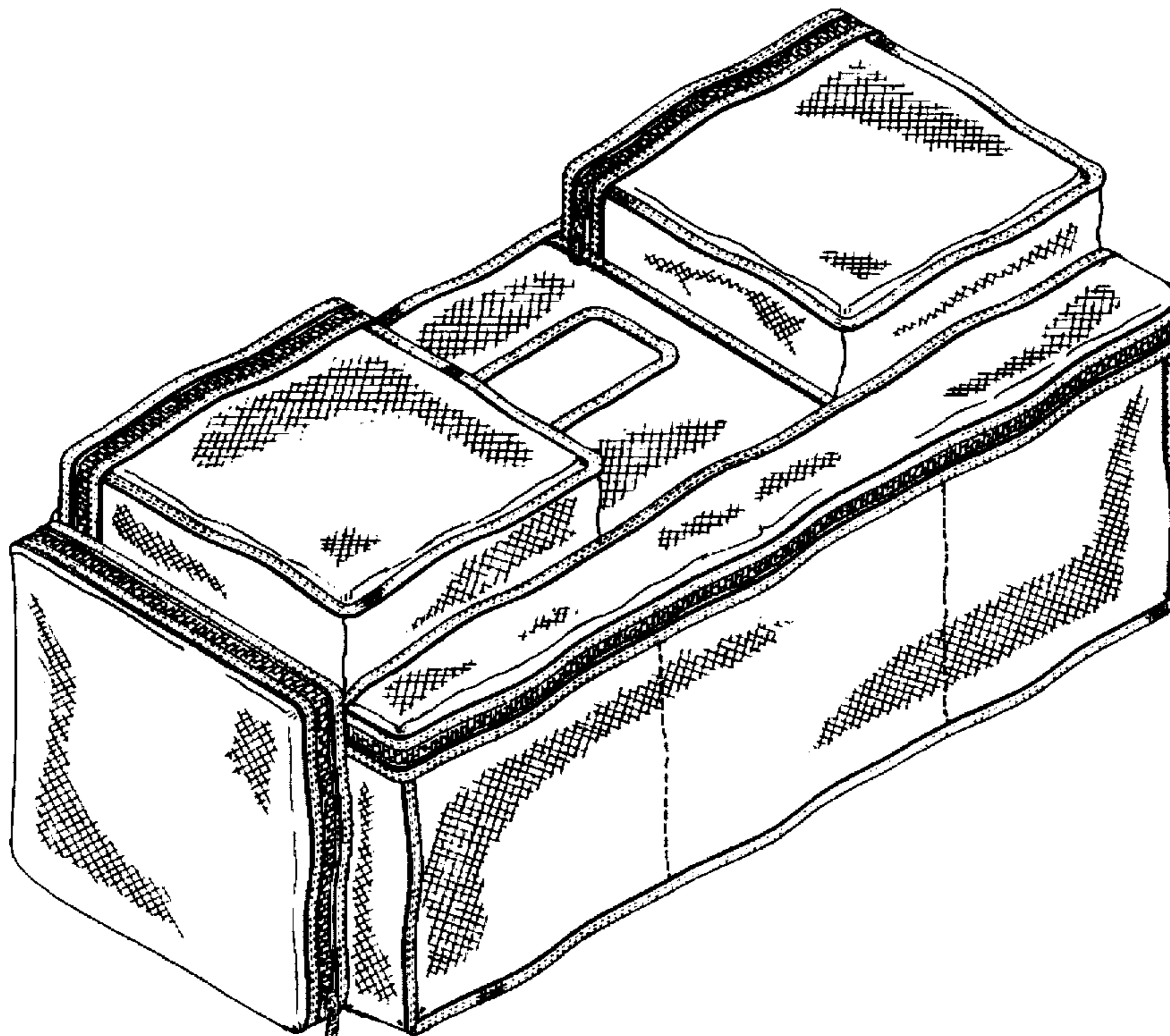


FIG.1

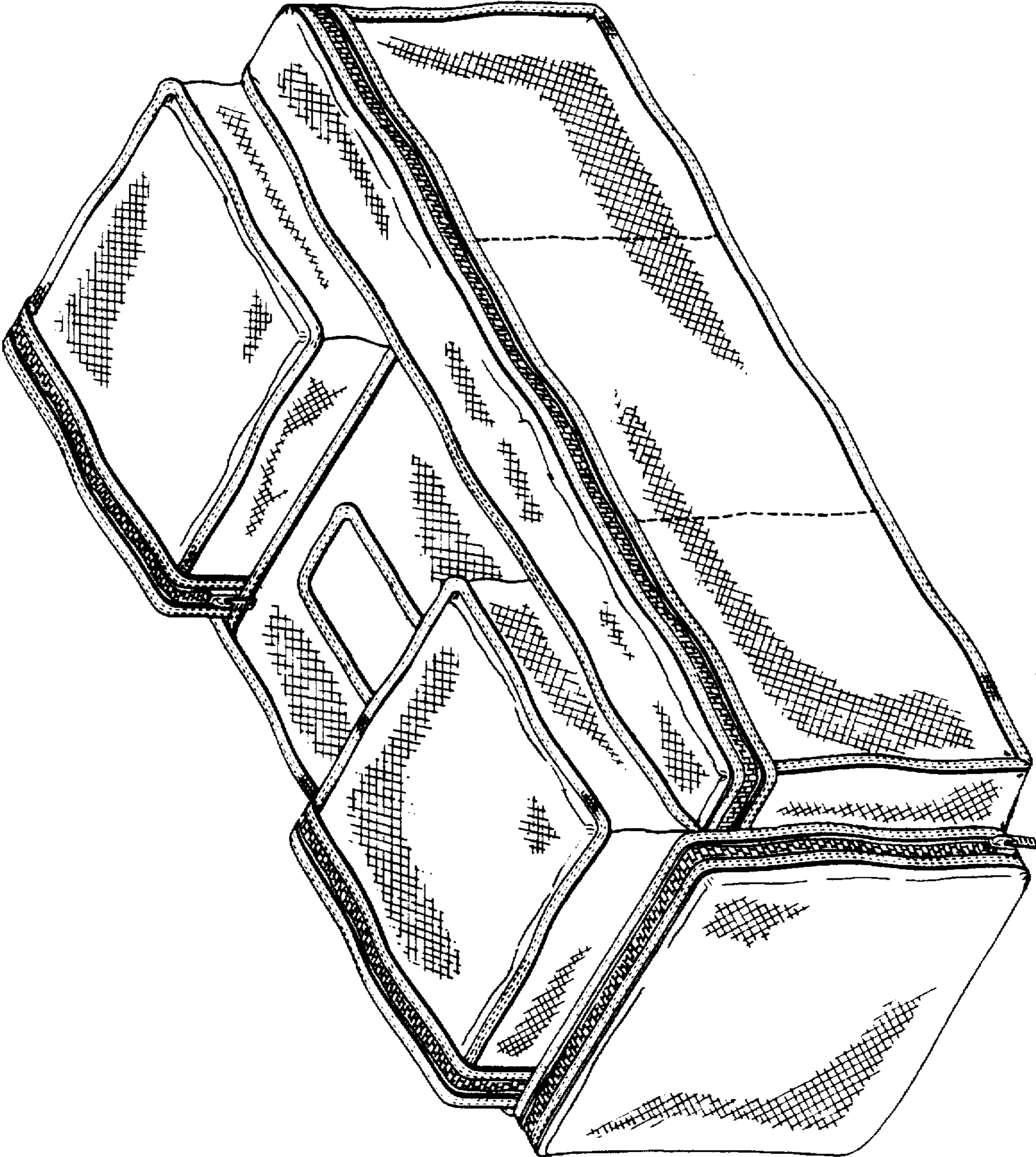


FIG. 2

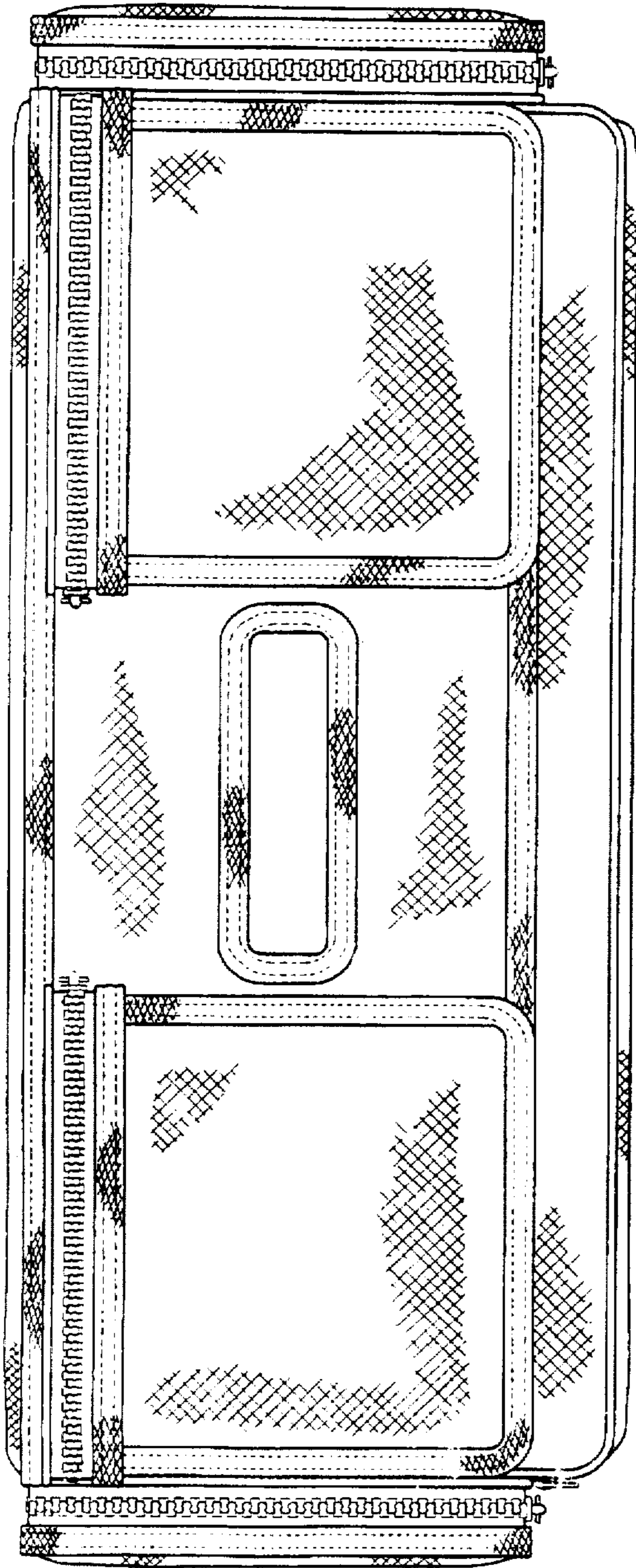


FIG. 3

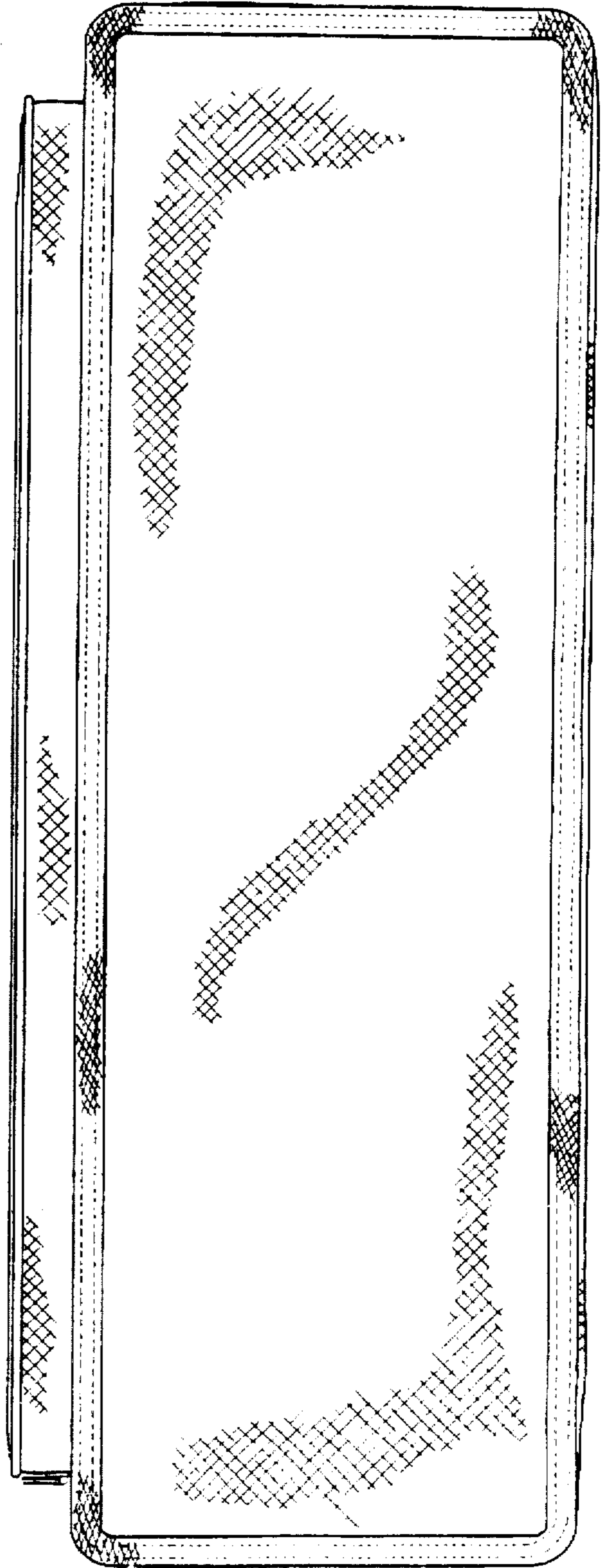


FIG. 4

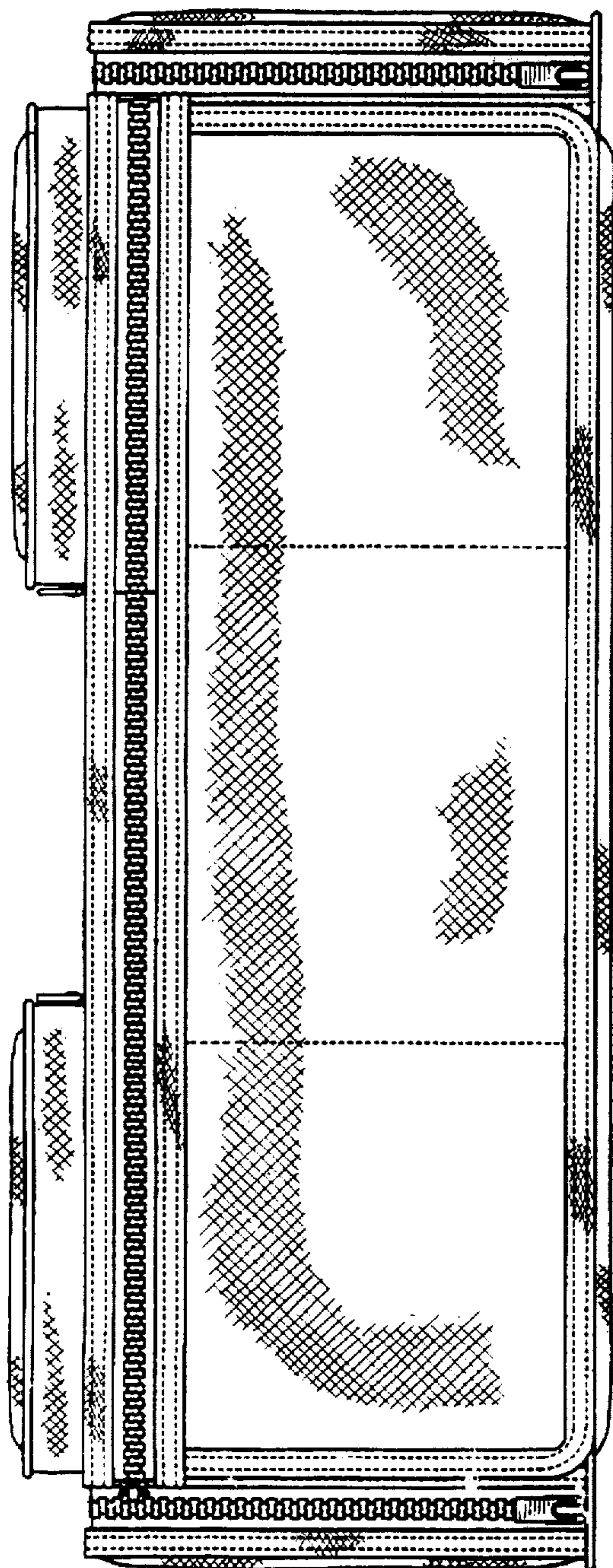
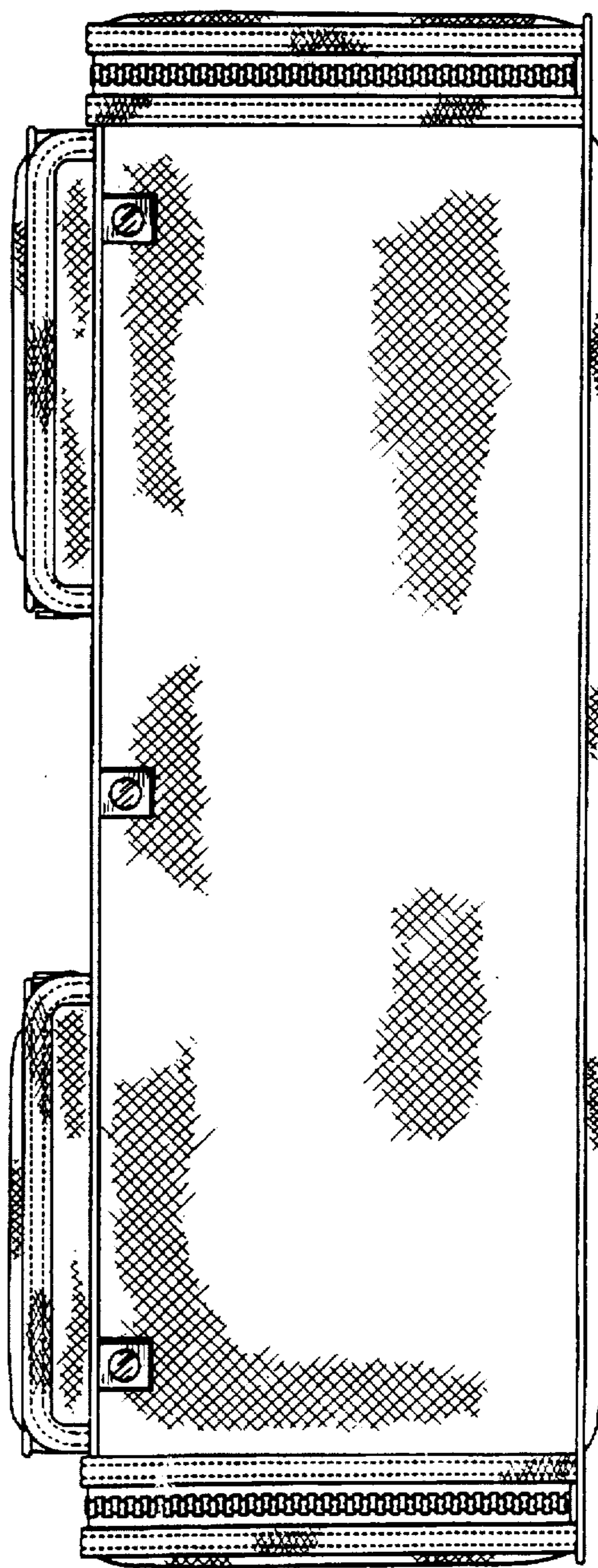


FIG. 5



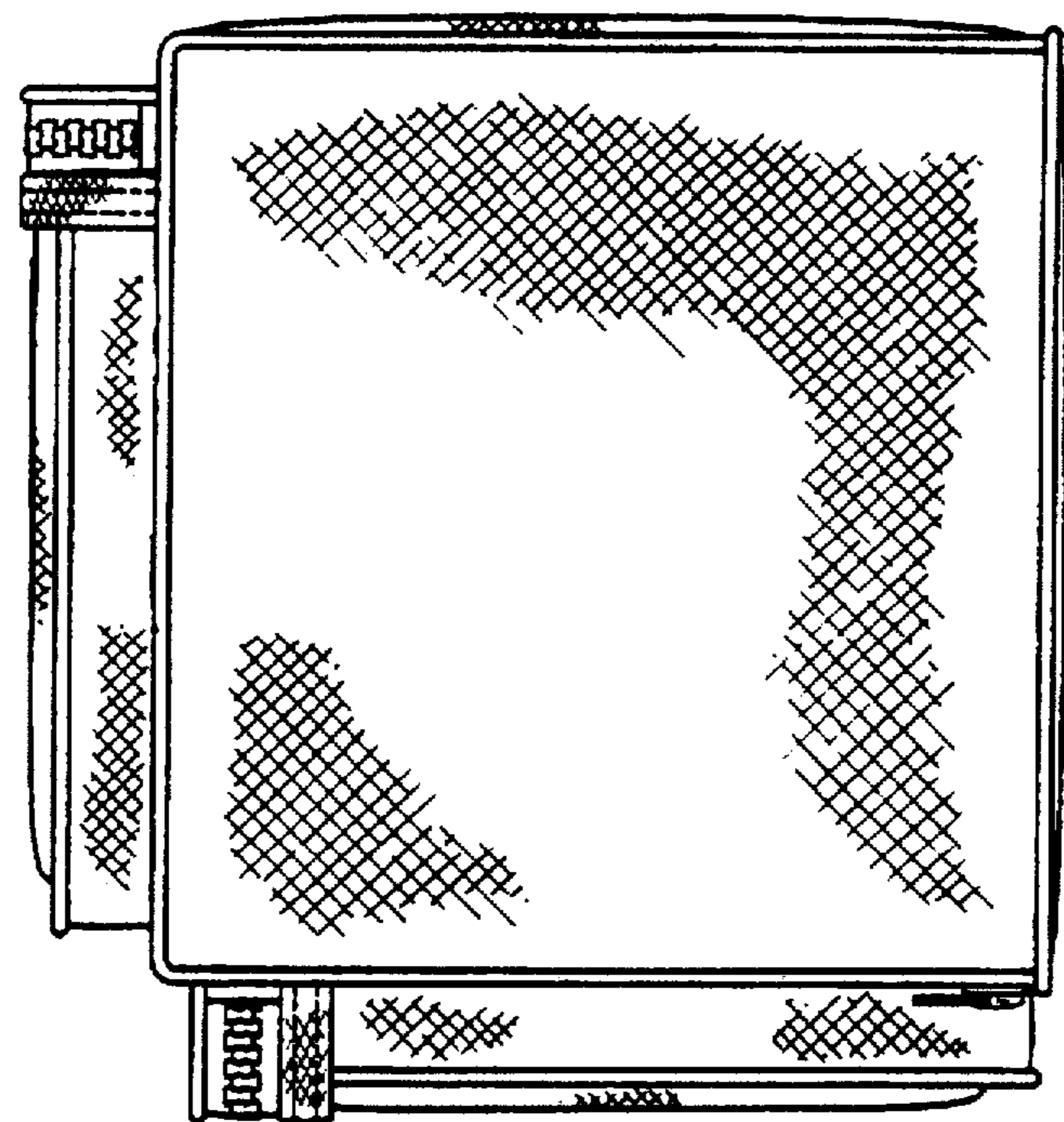


FIG. 7

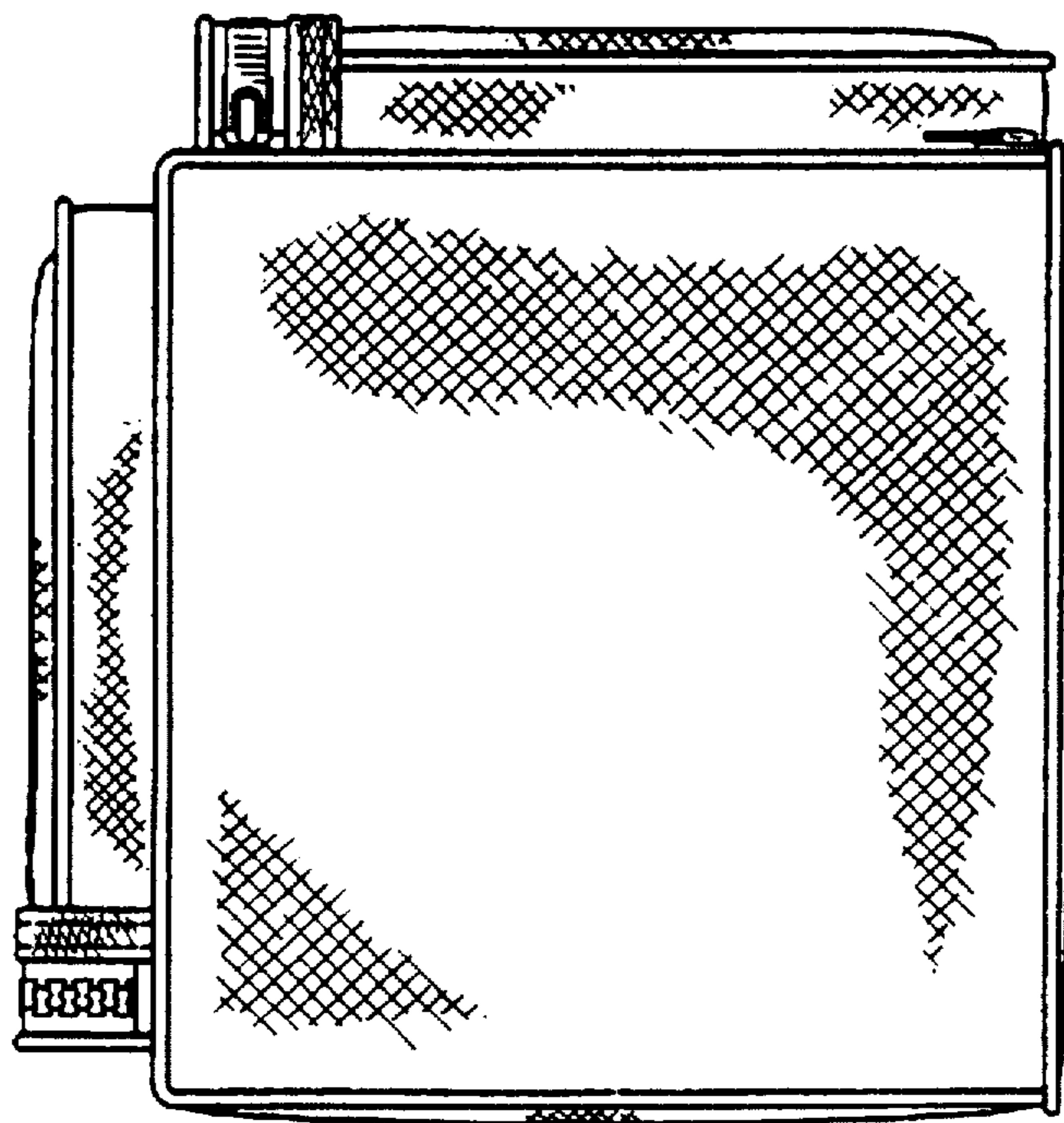


FIG. 6